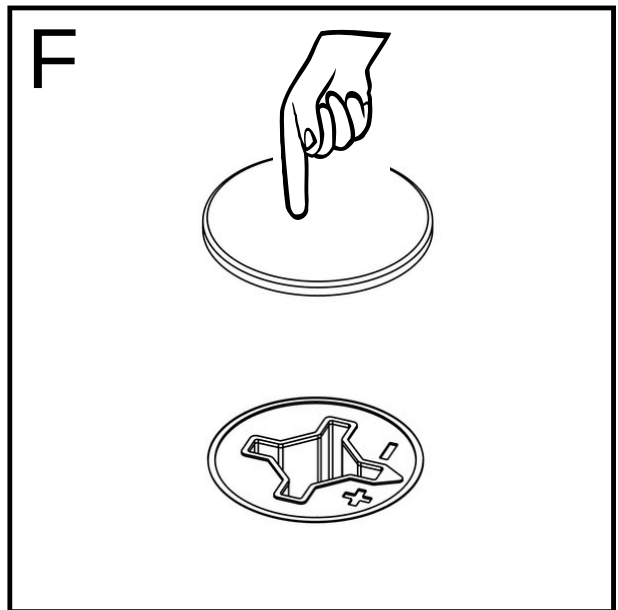
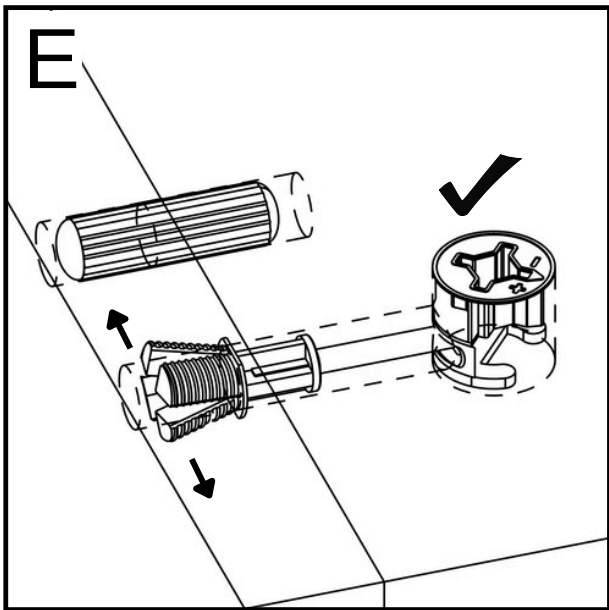
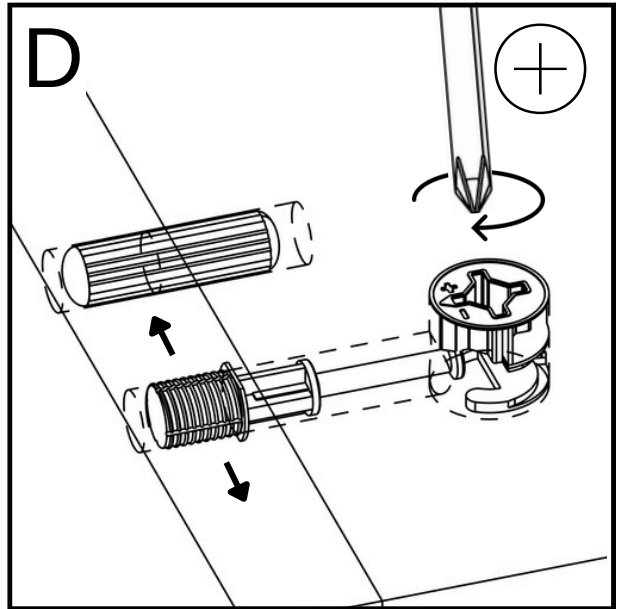
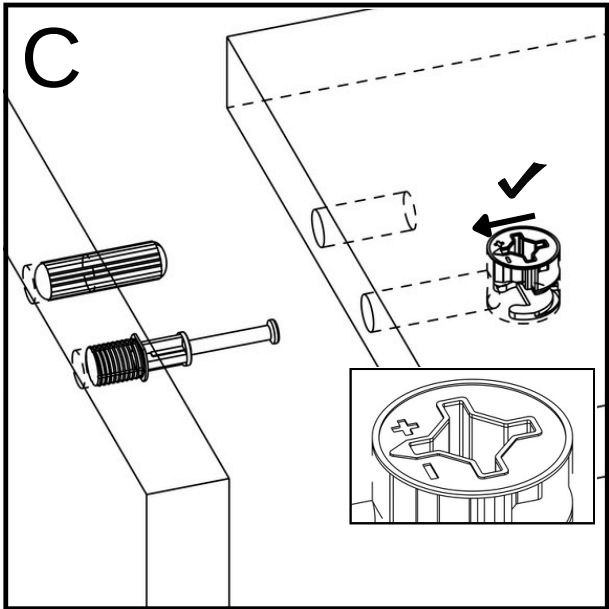
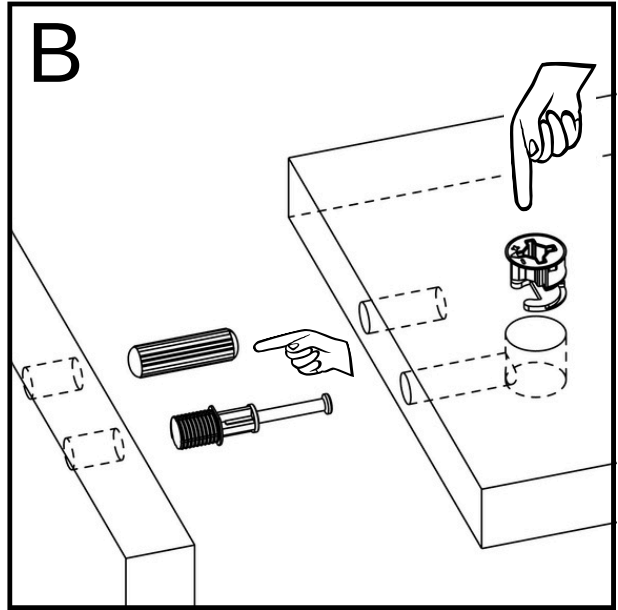
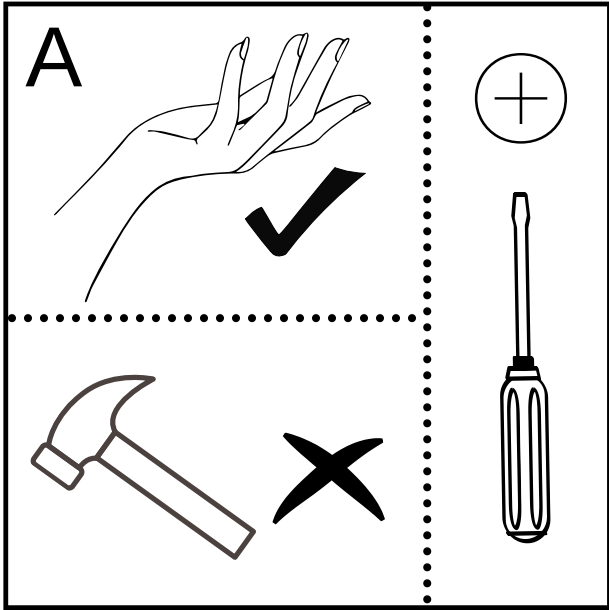
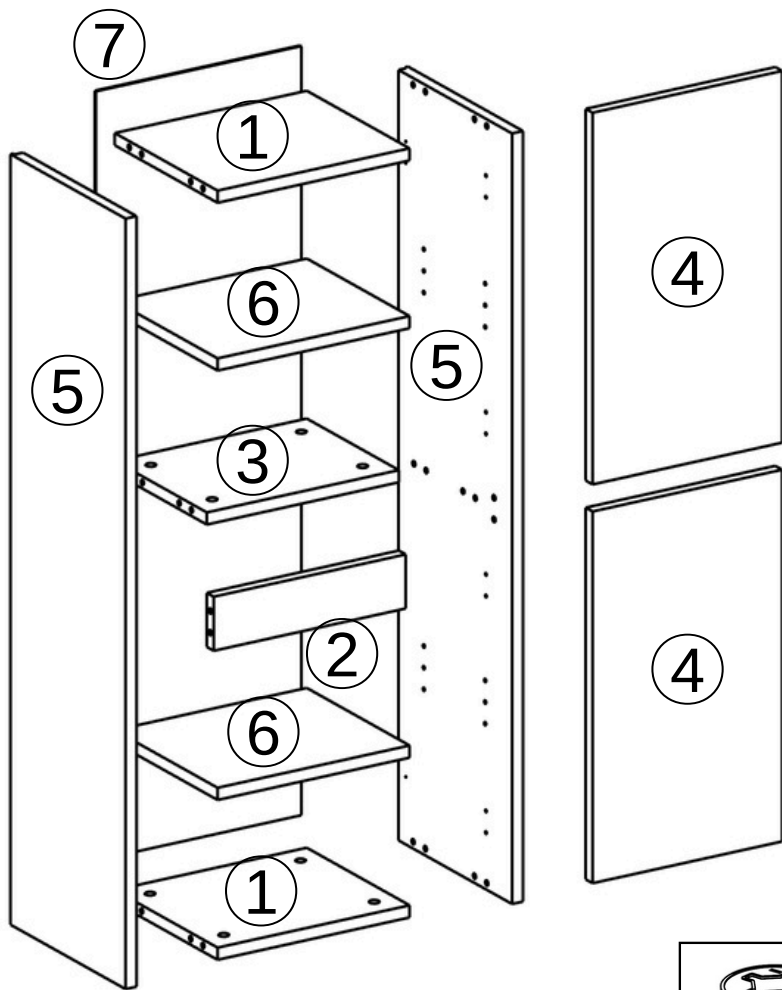


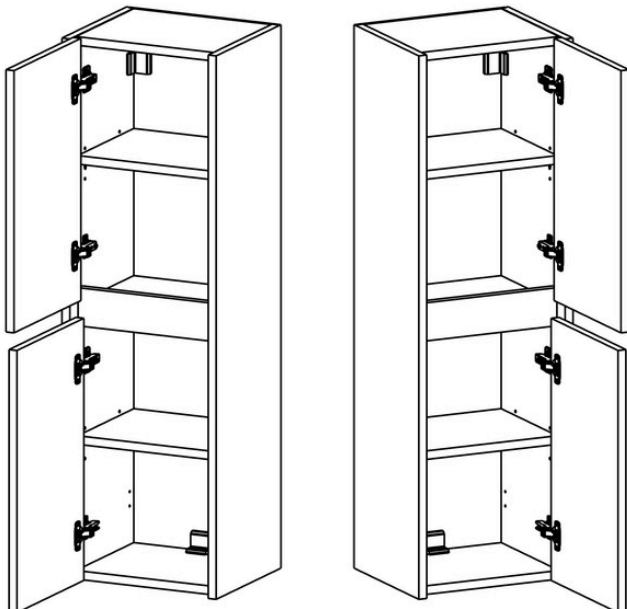
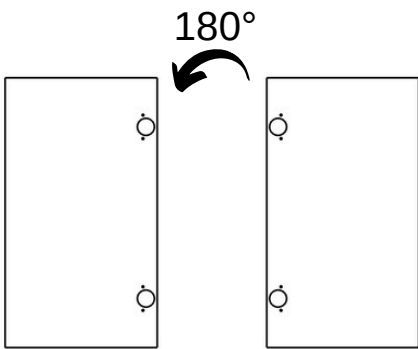
..... **BD8**








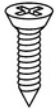


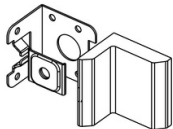
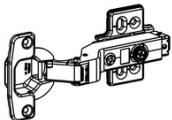
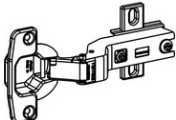




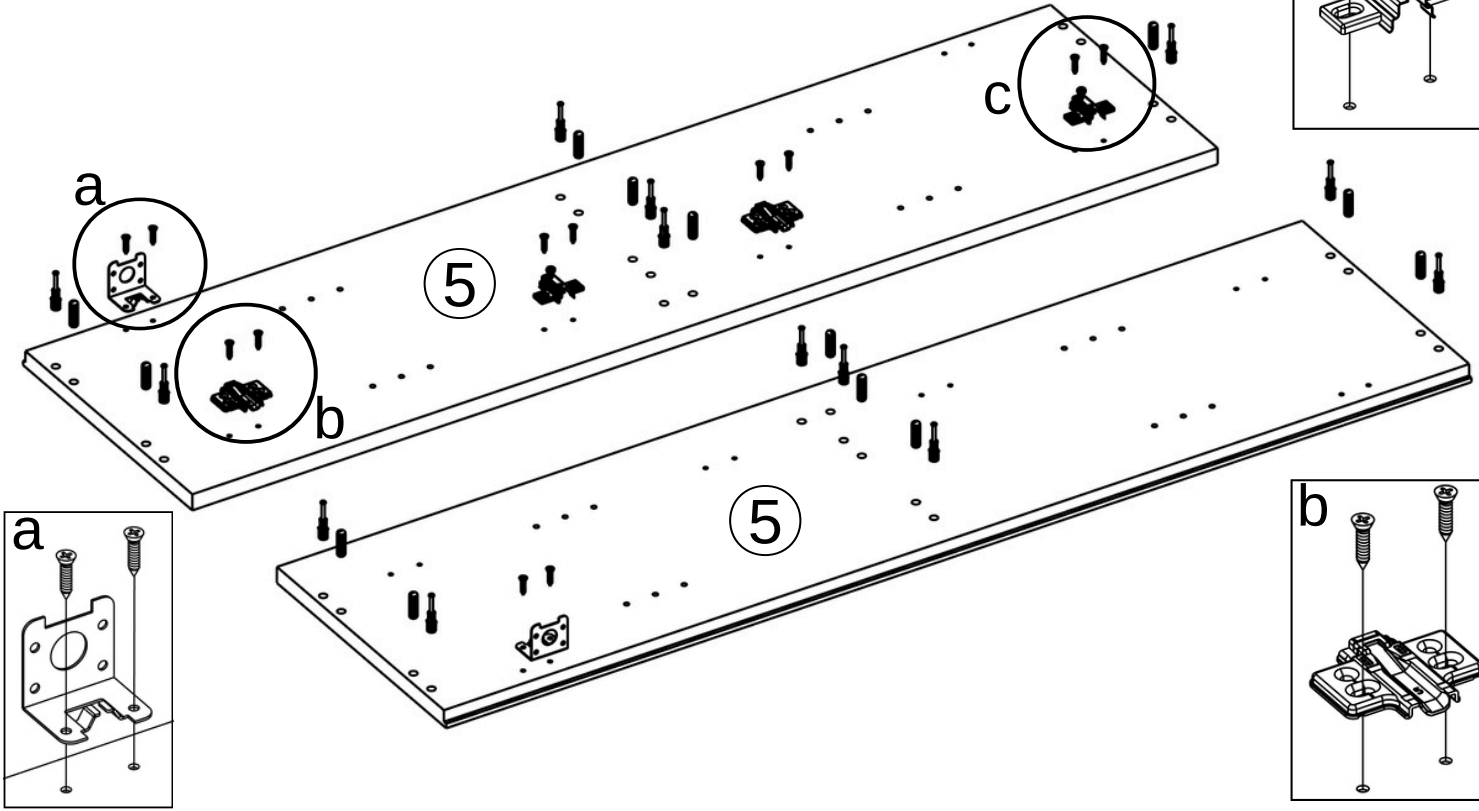
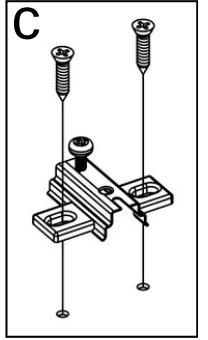
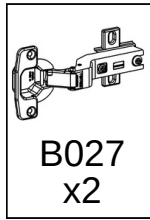
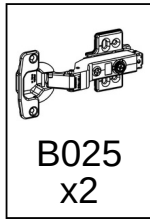
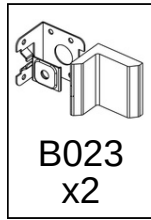
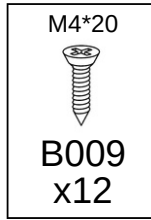
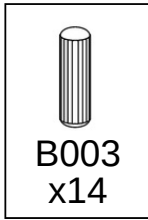
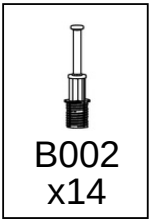
no - mm

1	-	314 * 268 * 18	x2
2	-	314 * 80 * 18	x1
3	-	314 * 240 * 18	x1
4	-	550 * 310 * 18	x2
5	-	1140 * 300 * 18	x2
6	-	314 * 260 * 18	x2
7	-	1138 * 336 * 3	x1

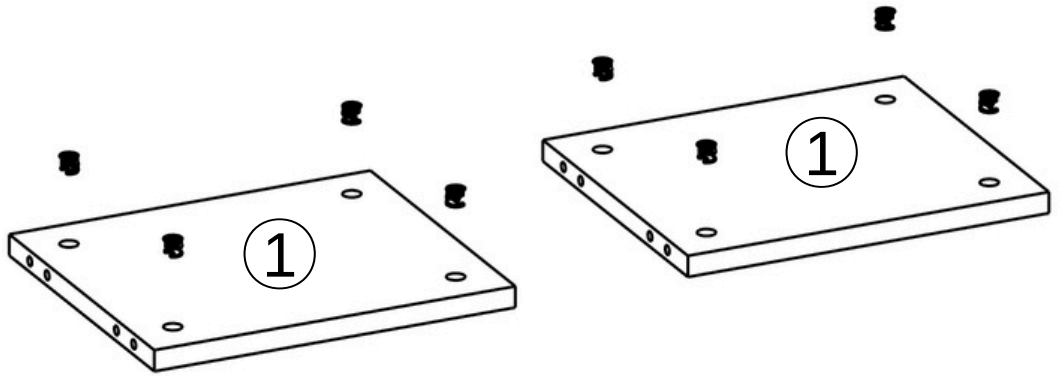
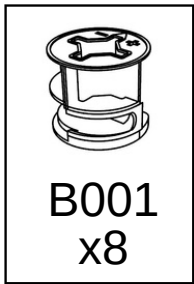


 B001 x14	 B002 x14	 B003 x14	 B004 x14
 B006 x3	 M5*80 B007 x3	 M3,5*18 B008 x8	 M4*20 B009 x14
 B019 x10	 B020 x8	 B023 x3	 B025 x2
 B027 x2			

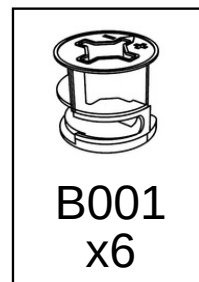
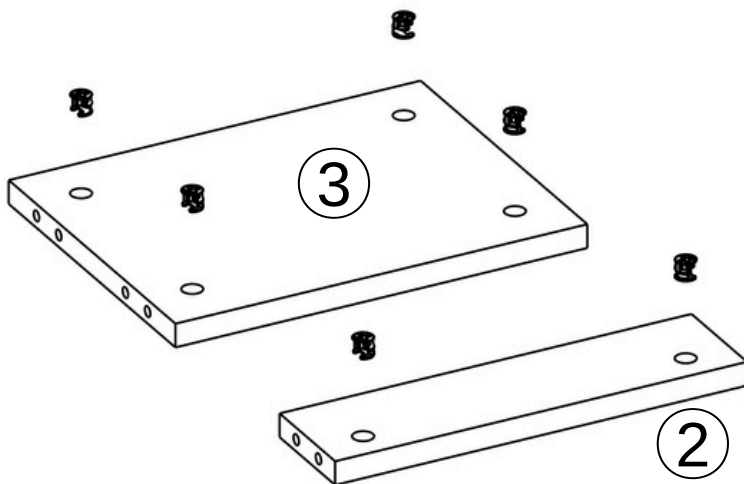
1



2

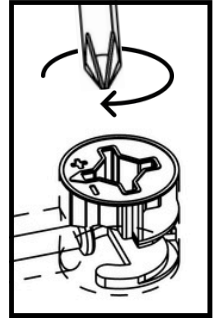
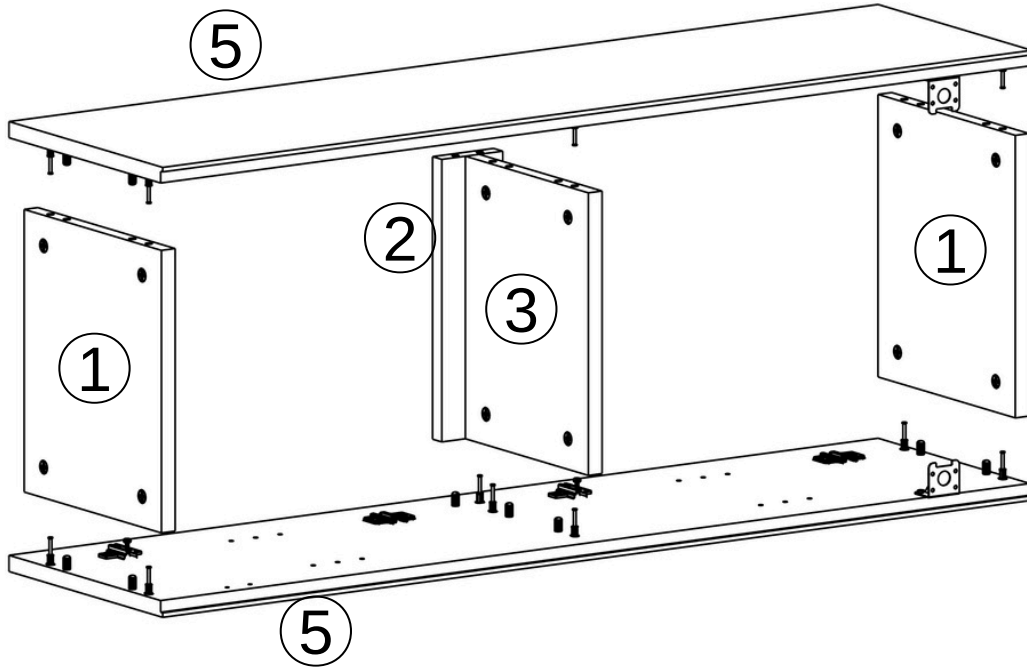


3

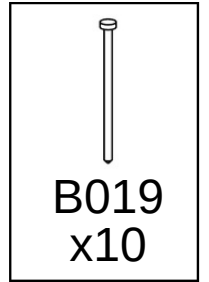
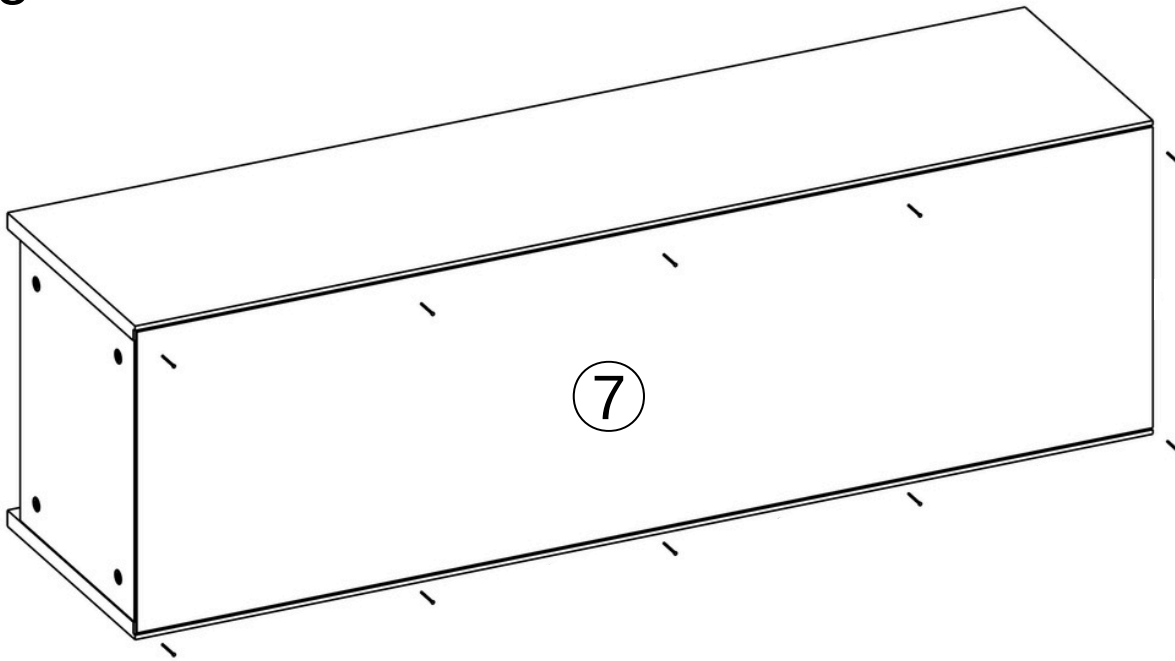


4

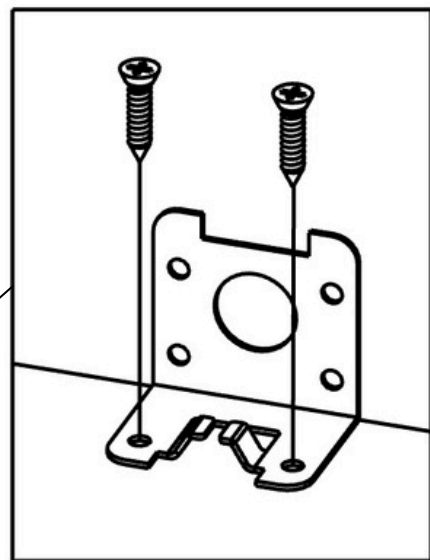
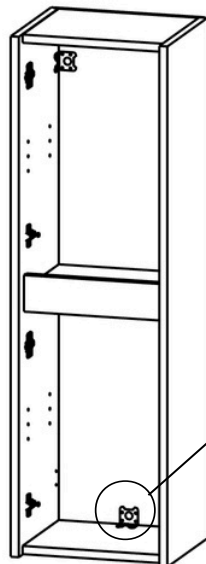
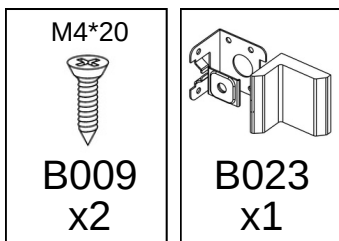
4



5

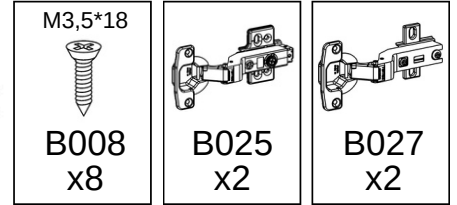
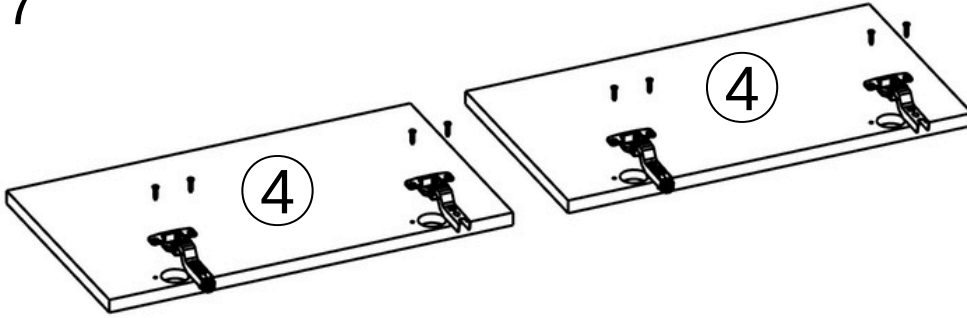


6

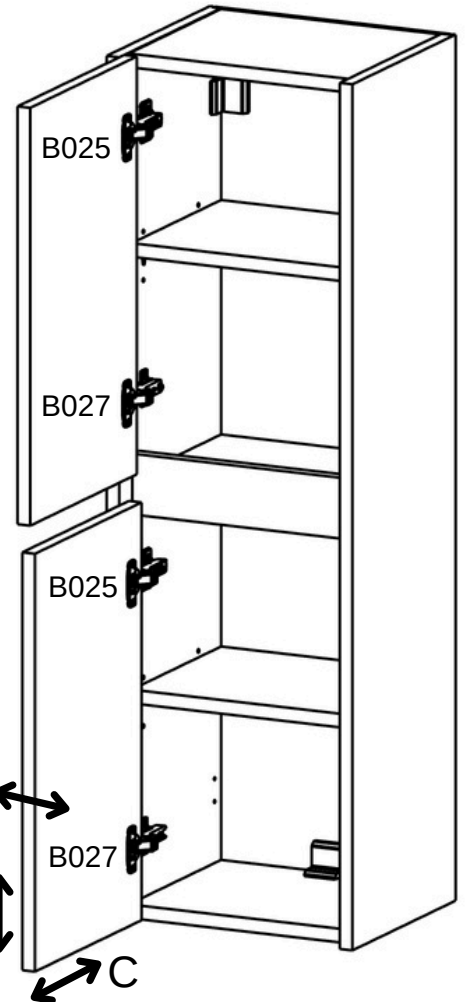
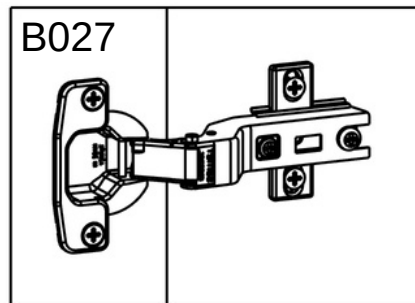
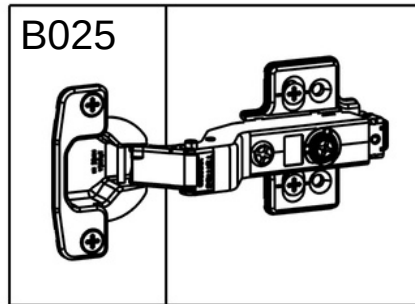
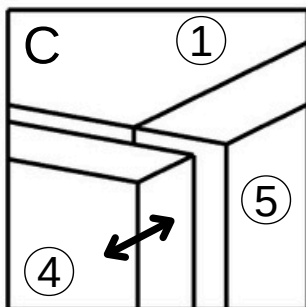
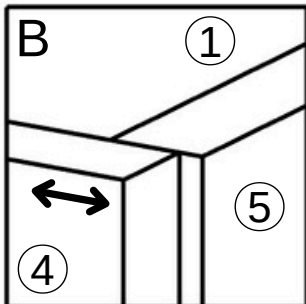
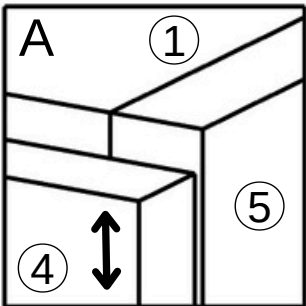
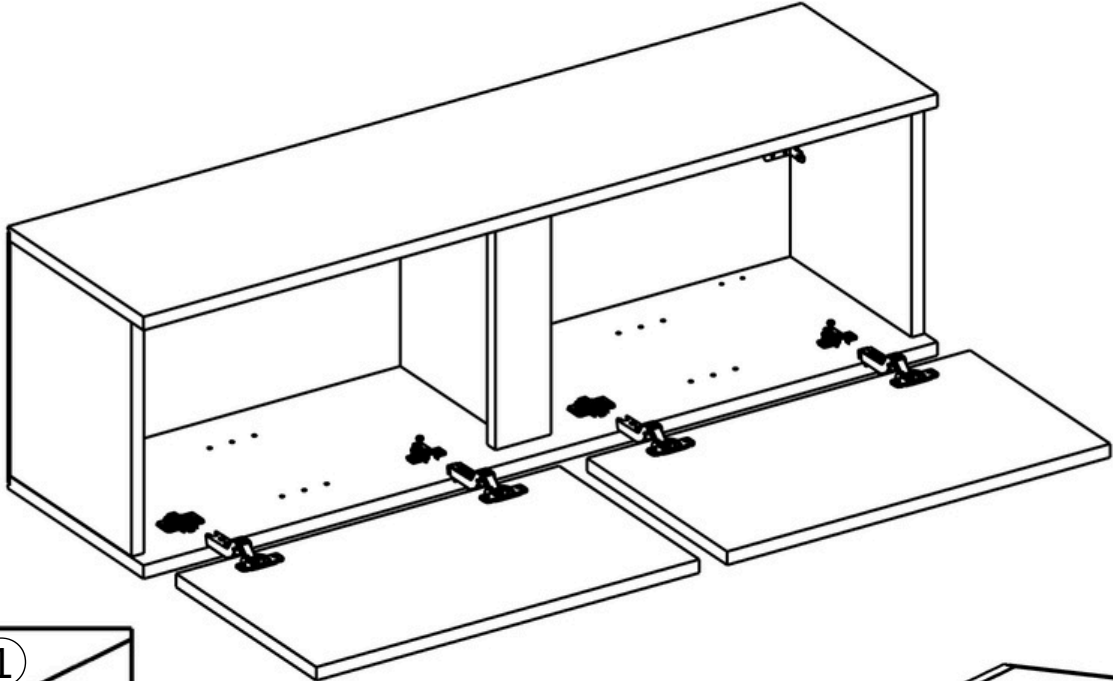


5

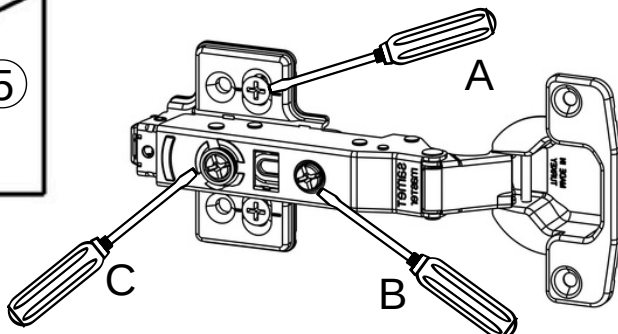
7



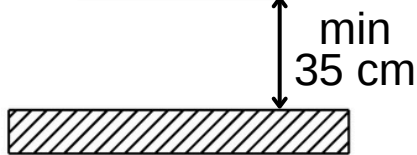
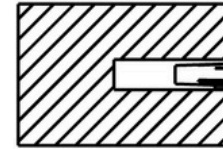
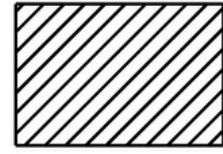
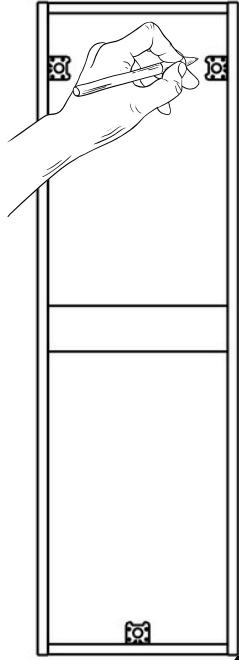
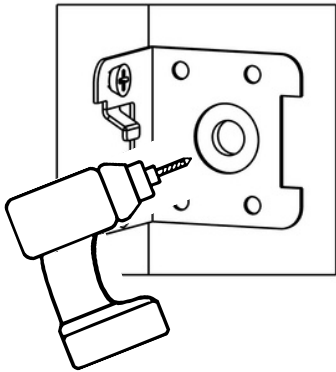
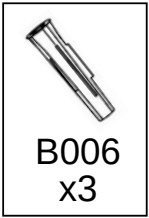
8



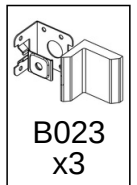
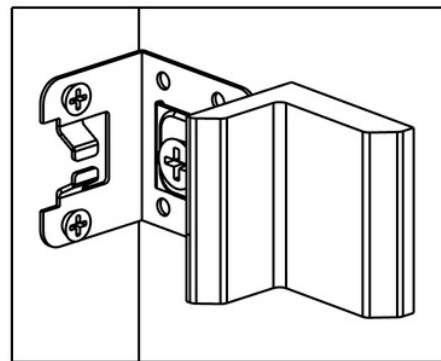
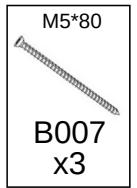
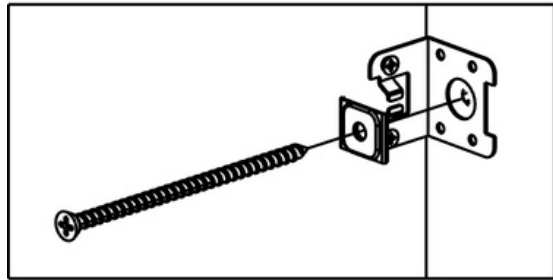
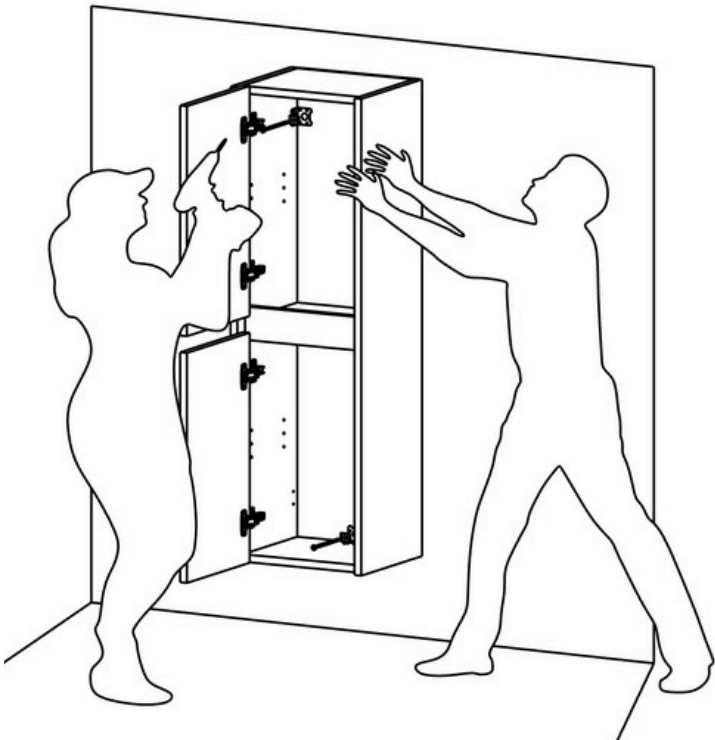
6



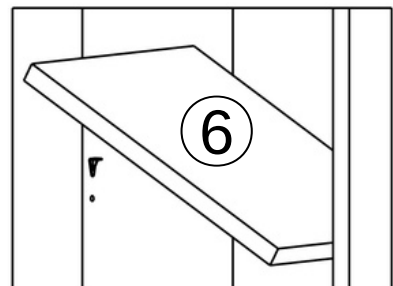
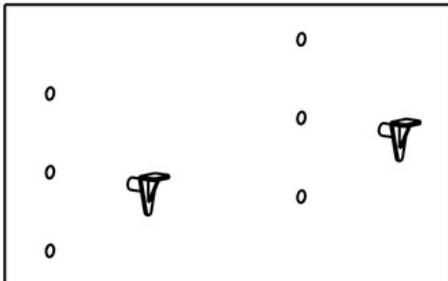
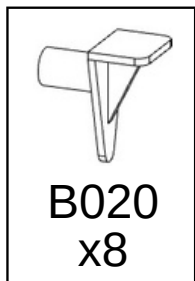
9



10



11



7

