

# NOVA LUCE

## PRODUCT DATASHEET

Version: 001

### ELECTRICAL DATA

|                         |                   |
|-------------------------|-------------------|
| Power (Nominal)         | <b>8 W</b>        |
| Input voltage (Nominal) | <b>220-240Vac</b> |
| Mains Frequency         | <b>50/60Hz</b>    |

### PHOTOMETRICAL DATA

|                           |                   |
|---------------------------|-------------------|
| Luminous Flux             | <b>714 lm</b>     |
| Color Temperature         | <b>3000 K</b>     |
| Light Color (Designation) | <b>Warm White</b> |

### WARRANTY

|          |                |
|----------|----------------|
| Warranty | <b>3 Years</b> |
|----------|----------------|

### CERTIFICATES

|              |                |
|--------------|----------------|
| Certificates | <b>CE,UKCA</b> |
|--------------|----------------|



# NOVA LUCE

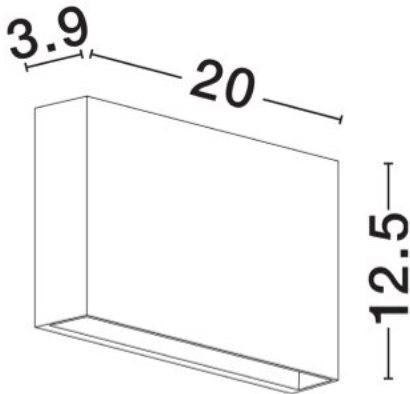
PRODUCT DATASHEET

Version: 001

## PRODUCT PHOTOGRAPH



## TECHNICAL DRAWING



## GENERAL INFORMATION

|                         |                     |
|-------------------------|---------------------|
| Product Code            | 9030828             |
| Collection              | Outdoor             |
| Product Category        | Wall                |
| Product Family          | Yoko                |
| Mounting Location       | Wall                |
| Application Environment | Outdoor             |
| Specifications          | Antisalt Protection |

## DIMENSION & WEIGHT

|              |               |
|--------------|---------------|
| LxWxH (cm)   | D: 16,5 H: 52 |
| Cut out (cm) | N/A           |
| Weight (Kgr) | 0.75          |

## MATERIAL & COLOR

|               |              |
|---------------|--------------|
| Product Color | Black        |
| Body Material | Acrylic & Pc |

## APPLICATION & MOUNTING

|                            |           |
|----------------------------|-----------|
| Ambient Working Temp.      | Max 45 oC |
| Type of Protection         | IP65      |
| Dimmable                   | No        |
| Type of Dimming (Optional) | N/A       |
| Mounting type              | Surface   |
| Mounting Depth (cm)        | N/A       |
| Led Module Replaceable     | No        |
| Light Source               | LED       |

NOVA LUCE S.A

Schimatari Viotias  
32009, Greece

+30 22620 58 121  
+30 22620 56 743

info@novaluce.com  
www.novaluce.com

