

Einbau-Backofen



BBUM113N2B

EAN: 8690842803772



Notizen

- 7 Funktionen
- AeroPerfect
- SteamShine-Reinigung
- Versenkbare Knebel

Allgemein:

Typ: Einbau-Backofen

Kochfeld-Typ: ---

Einbaugerät: Ja

Display: Multifunktionsdisplay

Anschlusskabel: Nein

Wassertank mit Füllstandanzeige
(Dampfgaren): Nein

Schublade im Sockel: Nein

Ofentyp: Multifunktionsofen

Farbe: Schwarz

Elektronische Sperre – Typ: Tastensperre

Herdsteuerungstyp: elektronisch

Konnektivität: ---

Kochfeld-Abdeckung: Nein

Einbau-Backofen

Ofen:

Ofen-Typ: Multifunktionsofen	Display: Multifunktionsdisplay
Türanschlag: unten	Versenkbare Knebel: Ja
Booster-Funktion – Schnellaufheizung: Nein	Einschubebenen: 5
Pyrolyse: Nein	Türverriegelung im Pyrolysevorgang: Nein
SteamShine: Ja	SteamShine+: Nein
FlexiCrisp: Nein	Soft-Close-Türschließmechanismus: Nein
Innentür-Typ: Vollverglast	Innenglas herausnehmbar: Ja
Innenverglasung: 2-fach	Cool Door: Nein
Herausnehmbare Seitengitter: Ja	Teleskopauszüge: nachrüstbar
Innen-Rückwand: Emailliert	Clean-Zone: Nein
Abklappbarer Grill: Nein	Kleinflächengrill: Nein
Drehspieß: Nein	Bratenthermometer: Nein
Mikrowellenfunktion: Nein	Automatische Garprogramme: Nein
PizzaPro: Nein	Dampfgarfunktion: Nein
Dampfunterstützung: ---	Automatische Innenbeleuchtung bei Türöffnung: Nein

Funktionen:

Anzahl: 7	
Ober-/Unterhitze	Heißluft
Unterhitze mit Umluft	Grill
Auftauen	Umluft
Oberhitze mit Umluft	

Zubehör:

Universalblech, emailliert: 1	Fettpfanne, emailliert: 0
Grillrost: 1	Seitengitter: 5-fach
Teleskopauszug: nachrüstbar	
Zubehör pyrolysefähig: Nein	

Verbrauchswerte (VO (EU) 65/2014)

Energieeffizienzindex EEI: 95,3
Energieeffizienzklasse: A*
Energieverbrauch (kWh), konventionell: 0,95
Energieverbrauch (kWh), Umluft: 0,81
Anzahl der Garräume: 1
Wärmequelle: elektrisch
Nutzbare Volumen (l): 72
Art des Ofens: Einbauofen

* Auf einer Skala von A+++ (höchste Effizienz) bis D (niedrigste Effizienz)

Einbau-Backofen

Technische Daten

Frequenz (Hz): 50

Anschlusswert (W): 10200

Spannung (V): 220-240

Maße und Gewicht

Unverpackt

Höhe (mm): 595

Breite (mm): 594

Tiefe (mm): 567

Gewicht (kg): 35,7

Nischenmaße:

Unterbau (HxBxT in mm): 600 x 560 x 550

Hocheinbau (HxBxT in mm): 590 x 560 x 550

Verpackt

Höhe (mm): 655


Breite (mm): 660

Tiefe (mm): 660


Gewicht (kg): 39

Einbau-Backofen

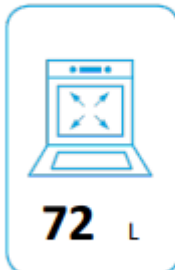



 **ENERG** Y IJA
енергия · ενέργεια IE IA


beko BBUM113N2B



A+++
A++
A+
A **A**
B
C
D

 **72** L

 **0.95 kWh/cycle***

 **0.81 kWh/cycle***

* цикл . cyklus . portion . zykus . πρόγραμμα . ciclo . tsükkel . ohjelma . ciklus ciklas . cikls . ciklu . cyclus . cykl . ciclu . program . cykel

65/2014

7757787714 385445547 / AA K 85x170 mm

Produktdatenblatt

EU-Richtlinie zu Energieverbrauchsetiketten 2010/30/EU, Nr. 65/2014 zu
backöfen(*)

Marke	Beko	
Modell	BBUM113N2B	
Energieeffizienzindex je Garraum, EEU/Garraum		95,3
Energieeffizienzklasse		A
Energieverbrauch (kWh) – konventionell, pro Zyklus (1)		0,95
Energieverbrauch (kWh) – Umluft, pro Zyklus (1)		0,81
Anzahl der Garräume		1
Wärmequelle je Garraum	Elektro	x
	Gas	
	Kombination	
Nutzbares Volumen (Liter)		72

(*)Nur für EU-Länder

7757787714 385445546 AA de_DE

Bedienungsanleitung(*)		
Produktinformationen		
Konformität mit EU-Richtlinie 2009/125/EG – Verordnung Nr. 66/2014 (*)		
Marke	Beko	
Modell	BBUM113N2B	
Art des Ofens	Freistehend	
	Einbauofen	x
Gewicht des Gerätes (M) (Nettogewicht), kg		28,10
Anzahl der Garräume		1
Wärmequelle je Garraum	Elektro	x
	Gas	
	Kombination	
Nutzbare Volumen (Liter)		72
Erforderlicher Energieverbrauch (Elektrizität) zum Erhitzen einer standardisierten Prüfladung in einem Garraum eines elektrischen Ofens während eines Zyklus im konventionellen Modus pro Garraum (kWh/Zyklus)(elektrische endenergie)(EC_elektrische garraum)		0,95
Erforderlicher Energieverbrauch zum Erhitzen einer standardisierten Prüfladung in einem Garraum eines elektrischen Ofens während eines Zyklus im Umluft-Modus pro Garraum (kWh/Zyklus), (elektrische finale energie)(EC_elektrische garraum)		0,81
Erforderlicher Energieverbrauch zum Erhitzen einer standardisierten Prüfladung in einem Garraum eines Gasofens während eines Zyklus im konventionellen Modus pro Garraum (MJ/Zyklus) (kWh/Zyklus), (Gas-Endenergie) (1)(EC_Gas garraum)		0,00 MJ
Erforderlicher Energieverbrauch zum Erhitzen einer standardisierten Prüfladung in einem Garraum eines Gasofens während eines Zyklus im Umluft-Modus pro Garraum (MJ/Zyklus) (kWh/Zyklus), (Gas-Endenergie) (1)(EC_Gas garraum)		0,00 MJ
Energieeffizienzindex je Garraum, EEI/Garraum		95,3
(*) 1 kWh/Zyklus = 3,6 MJ/Zyklus.		

(*)Nur für EU-Länder

7757787714 385445546 AA de_DE



Built-in Hob

User Manual

Einbau-Kochfeld

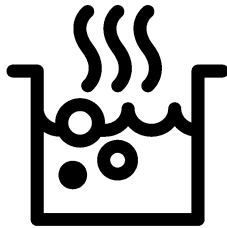
Gebrauchsanleitung

Inbouwkookplaat

Gebruikershandleiding

Table de cuisson encastrable

Manuel de l'utilisateur



EH 9641 XHN

EN / DE / NL / FR

300.1916.40/R.AD/25.11.2019/2-1

7731782940

Please read this user manual first!

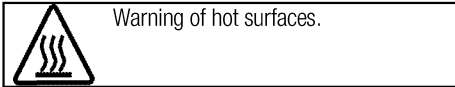
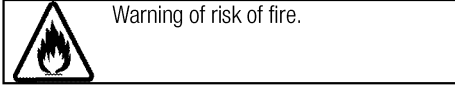
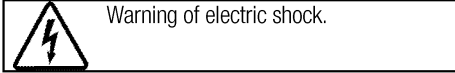
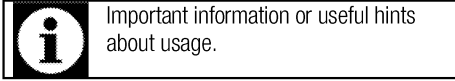
Dear Customer,

Thank you for purchasing this Beko product. We hope that you get the best results from your product which has been manufactured with high quality and state-of-the-art technology. Therefore, please read this entire user manual and all other accompanying documents carefully before using the product and keep it as a reference for future use. If you handover the product to someone else, give the user manual as well. Follow all warnings and information in the user manual.

Remember that this user manual is also applicable for several other models. Differences between models will be identified in the manual.

Explanation of symbols

Throughout this user manual the following symbols are used:



Arçelik A.Ş.
Karaağaç caddesi No:2-6
34445 Söğütözü/İstanbul/TURKEY
Made in TURKEY



This product was manufactured using the latest technology in environmentally friendly conditions.

**1 Important instructions and warnings
for safety and environment 4**

General safety 4
 Electrical safety 4
 Product safety 5
 Intended use 6
 Safety for children..... 6
 Disposing of the old product..... 7
 Package information 7
 Future Transportation..... 7

2 General information 8

Overview 8
 Technical specifications 8

3 Installation 10

Before installation 10
 Installation and connection 11

4 Preparation 14

Tips for saving energy 14
 Initial use..... 14
 First cleaning of the appliance..... 14

5 How to use the hob 15

General information about cooking 15
 Using the hobs..... 15

6 Maintenance and care 17

General information..... 17
 Cleaning the hob..... 17

7 Troubleshooting 18

1 Important instructions and warnings for safety and environment

This section contains safety instructions that will help protect from risk of personal injury or property damage. Failure to follow these instructions shall void any warranty.

General safety

- This appliance can be used by children aged from 8 years and above and persons with reduced physical, sensory or mental capabilities or lack of experience and knowledge if they have been given supervision or instruction concerning use of the appliance in a safe way and understand the hazards involved.

Children shall not play with the appliance. Cleaning and user maintenance shall not be made by children without supervision.

- The appliance is not to be used by persons (including children) with reduced physical, sensory or mental capabilities, or lack of experience and knowledge, unless they have been given supervision or instruction. Children should be supervised and ensure they do not play with the appliance
- If the product is handed over to someone else for personal use or second-hand use purposes, the

user manual, product labels and other relevant documents and parts should be also given.

- Installation and repair procedures must always be performed by Authorised Service Agents. The manufacturer shall not be held responsible for damages arising from procedures carried out by unauthorised persons which may also void the warranty. Before installation, read the instructions carefully.
- Do not operate the product if it is defective or has any visible damage.
- Ensure that the product function knobs are switched off after every use.

Electrical safety

- If the product has a failure, it should not be operated unless it is repaired by an Authorised Service Agent. There is the risk of electric shock!
- Only connect the product to a grounded outlet/line with the voltage and protection as specified in the "Technical specifications". Have the grounding installation made by a qualified electrician while using the product with or without a

transformer. Our company shall not be liable for any problems arising due to the product not being earthed in accordance with the local regulations.

- Never wash the product by spreading or pouring water onto it! There is the risk of electric shock!
- The product must be disconnected during installation, maintenance, cleaning and repairing procedures.
- If the power connection cable for the product is damaged, it must be replaced by the manufacturer, its service agent or similarly qualified persons in order to avoid a hazard.
- The appliance must be installed so that it can be completely disconnected from the mains supply. The separation must be provided by a switch built into the fixed electrical installation, according to construction regulations.
- Any work on electrical equipment and systems should only be carried out by authorised and qualified persons.
- In case of any damage, switch off the product and disconnect it from the mains. To do this, turn off the fuse at home.
- Make sure that fuse rating is compatible with the product.

Product safety

- **WARNING:** The appliance and its accessible parts become hot during use. Care should be taken to avoid touching heating elements. Children less than 8 years of age shall be kept away unless continuously supervised.
- Never use the product when your judgment or coordination is impaired by the use of alcohol and/or drugs.
- Be careful when using alcoholic drinks in your dishes. Alcohol evaporates at high temperatures and may cause fire since it can ignite when it comes into contact with hot surfaces.
- Do not place any flammable materials close to the product as the sides may become hot during use.
- Keep all ventilation slots clear of obstructions.
- Do not use steam cleaners to clean the appliance as this may cause an electric shock.
- **WARNING:** Unattended cooking on a hob with fat or oil can be dangerous and may result in fire. NEVER try to extinguish a fire with water, but switch off the appliance and then cover flame e.g. with a lid or a fire blanket.
- **CAUTION:** The cooking process has to be supervised. A short

term cooking process has to be supervised continuously.

- **WARNING:** Danger of fire: Do not store items on the cooking surfaces.
- **WARNING:** If the surface is cracked, switch off the appliance to avoid the possibility of electric shock.
- In case of hotplate glass breakage : Immediately shut off all burners and any electrical heating element and isolate the appliance from the power supply. Do not touch the appliance surface. Do not use the appliance.
- The appliance is not intended to be operated by means of an external timer or separate remote-control system.
- Vapour pressure that build up due to the moisture on the hob surface or at the bottom of the pot can cause the pot to move. Therefore, make sure that the oven surface and bottom of the pots are always dry.
- **WARNING:** Use only hob guards designed by the manufacturer of the cooking appliance or indicated by the manufacturer of the appliance in the instructions for use as suitable or hob guards incorporated in the appliance. The use of inappropriate guards can cause accidents.

Prevention against possible fire risk!

- Ensure all electrical connections are secure and tight to prevent risk of arcing.
- Do not use damaged cables or extension cables.
- Ensure liquid or moisture is not accessible to the electrical connection point.

Intended use

- This product is designed for domestic use. Commercial use will void the guarantee.
- **CAUTION:** This appliance is for cooking purposes only. It must not be used for other purposes, for example room heating.
- The manufacturer shall not be liable for any damage caused by improper use or handling errors.

Safety for children

- **WARNING:** Accessible parts may become hot during use. Young children should be kept away.
- The packaging materials will be dangerous for children. Keep the packaging materials away from children. Please dispose of all parts of the packaging according to environmental standards.
- Electrical products are dangerous to children. Keep children away from the product when it is operating and do not allow them to play with the product.

- Do not place any items above the appliance that children may reach for.

Disposing of the old product

Compliance with the WEEE Directive and Disposing of the Waste Product:



This product complies with EU WEEE Directive (2012/19/EU). This product bears a classification symbol for waste electrical and electronic equipment (WEEE).

This product has been manufactured with high quality parts and materials which can be reused and are suitable for recycling. Do not dispose of the waste product with normal domestic and other wastes at the end of its service life. Take it to the collection center for the recycling of electrical and electronic equipment. Please consult your local authorities to learn about these collection centers.

Compliance with RoHS Directive:

The product you have purchased complies with EU RoHS Directive (2011/65/EU). It does not contain harmful and prohibited materials specified in the Directive.

Package information

- Packaging materials of the product are manufactured from recyclable materials in accordance with our National Environment Regulations. Do not dispose of the packaging materials together with the domestic or other wastes. Take them to the packaging material collection points designated by the local authorities.

Future Transportation

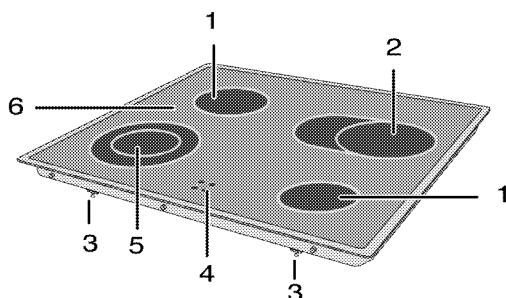
- Keep the product's original carton and transport the product in it. Follow the instructions on the carton. If you do not have the original carton, pack the product in bubble wrap or thick cardboard and tape it securely.



Check the general appearance of your product for any damages that might have occurred during transportation.

2 General information

Overview



- | | | | |
|---|------------------------|---|---|
| 1 | Tempered glass | 4 | Hob hot (Residual heat) indicator light |
| 2 | Assembly clamp | 5 | Single-circuit cooking plate |
| 3 | Extended cooking plate | 6 | Dual-circuit cooking plate |

Technical specifications

Voltage / frequency	220-240 V ~ 50 Hz
Total power consumption	6.5 kW
Cable type / section	min.H05RR-F 4.0 mm ² (220-240 V) / 2.5 mm ² (380-415 V)
External dimensions (height / width / depth)	55 mm/580 mm/510 mm
Installation dimensions (width / depth)	560 mm/490 mm
Burners	
Rear left	Single-circuit cooking plate
Dimension	140 mm
Power	1200 W
Front left	Dual-circuit cooking plate
Dimension	120/180 mm
Power	700/1700 W
Front right	Single-circuit cooking plate
Dimension	140 mm
Power	1200 W
Rear right	Extended cooking plate
Dimension	170/265mm
Power	1500/2400 W



Technical specifications may be changed without prior notice to improve the quality of the product.



Figures in this manual are schematic and may not exactly match your product.



Values stated on the product labels or in the documentation accompanying it are obtained in laboratory conditions in accordance with relevant standards. Depending on operational and environmental conditions of the product, these values may vary.

Hob - Oven Combination

	EH 9641 XHN			
EH 9640 XO	X	-	-	-
EH 9645 XO	X	-	-	-
-	-	-	-	-
-	-	-	-	-
-	-	-	-	-
-	-	-	-	-
-	-	-	-	-
-	-	-	-	-
-	-	-	-	-

** Extended and double circle hotplates cannot be used in combinations of the highlighted models.

3 Installation

Product must be installed by a qualified person in accordance with the regulations in force. The manufacturer shall not be held responsible for damages arising from procedures carried out by unauthorized persons which may also void the warranty.



Preparation of location and electrical installation for the product is under customer's responsibility.



DANGER:

The product must be installed in accordance with all local electrical regulations.



DANGER:

Prior to installation, visually check if the product has any defects on it. If so, do not have it installed.

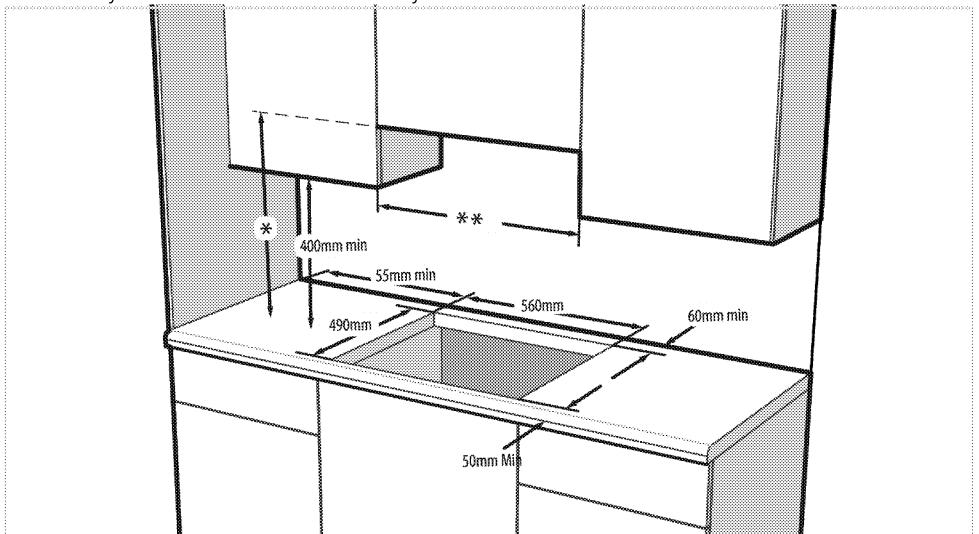
Damaged products cause risks for your safety.

Before installation

The appliances are intended for installation in commercially available kitchen cabinets. A safety

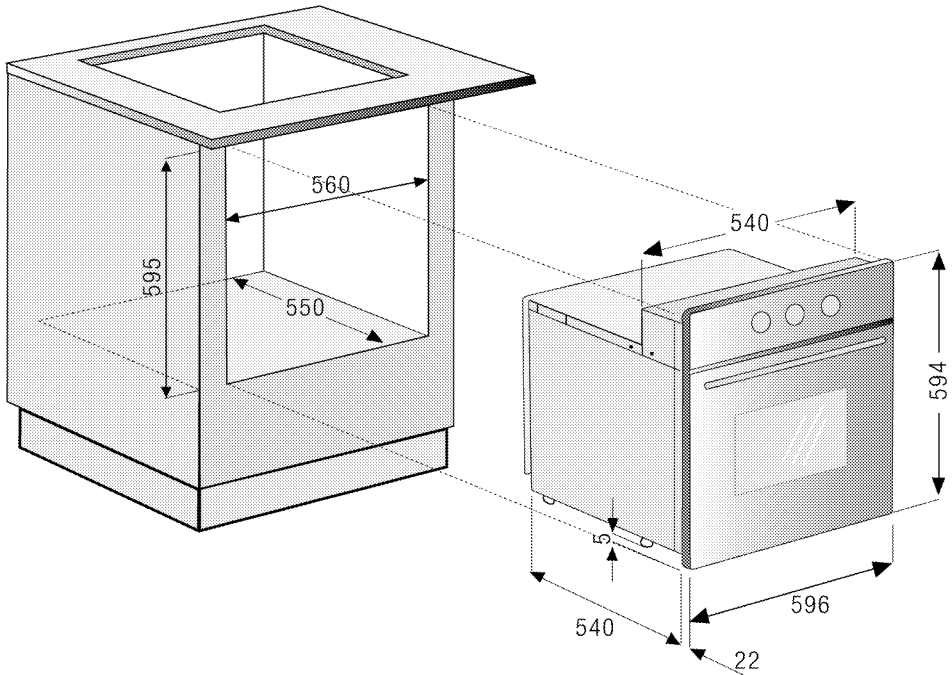
distance must be left between the appliance and the kitchen walls and furniture. See figure (values in mm).

- It can also be used in a free standing position. Allow a minimum distance of 750 mm above the hob surface.
- (*) If a cooker hood is to be installed above the cooker, refer to cooker hood manufacturer's instructions regarding installation height (min 650 mm).
- Remove packaging materials and transport locks.
- Surfaces, synthetic laminates and adhesives used must be heat resistant (100 °C minimum).
- Power to the hob is supplied from the oven. Both appliances must be installed on top of each other.
- Cut aperture for the hob in worktop as per installation dimensions.
- Seal cut edges and bordering edges.
- Worktop and kitchen cabinets must be set level and fixed.
- The hob may be installed with **only one** edge next to the higher cabinets, appliances or walls.
- Some space must remain between the oven's rear wall and the kitchen wall for air to circulate.
- If there is a drawer beneath the oven, a shelf must be installed between oven and drawer.



* Minimum height to extractor as recommend in extractor instruction manual

** Minimum distance between cabinetry must be equal to width of hob



Installation and connection

- The product must be installed in accordance with all local gas and electrical regulations.



Do not install the hob on places with sharp edges or corners.
There is the risk of breaking for glass ceramic surface!

Electrical connection

Connect the product to a grounded outlet/line protected by a miniature circuit breaker of suitable capacity as stated in the "Technical specifications" table. Have the grounding installation made by a qualified electrician while using the product with or without a transformer. Our company shall not be liable for any damages that will arise due to using the product without a grounding installation in accordance with the local regulations.



DANGER:

The product must be connected to the mains supply only by an authorised and qualified person. The product's warranty period starts only after correct installation. Manufacturer shall not be held responsible for damages arising from procedures carried out by unauthorised persons.



DANGER:

The power cable must not be clamped, bent or trapped or come into contact with hot parts of the product.
A damaged power cable must be replaced by a qualified electrician. Otherwise, there is risk of electric shock, short circuit or fire!

- Connection must comply with national regulations.
- The mains supply data must correspond to the data specified on the type label of the product. Type label is at the rear housing of the product.
- Power cable of your product must comply with the values in "Technical specifications" table.

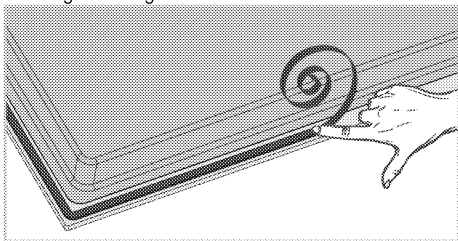


DANGER:

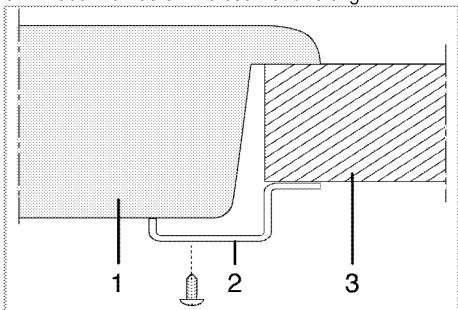
Before starting any work on the electrical installation, disconnect the product from the mains supply.
There is the risk of electric shock!

Installing the product

1. Turning the hob upside down, place it on a flat surface.
2. When installing the hob, apply the sealing gasket, which was provided in the packaging, around the hob as shown in the following picture, ensuring that it remains 1 to 2 mm inside from the outer edge of the glass.

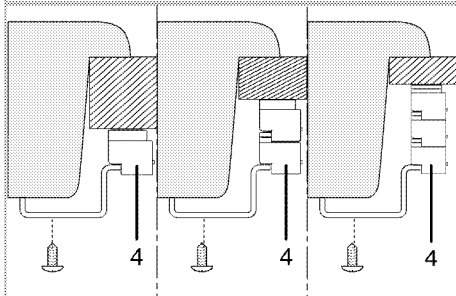
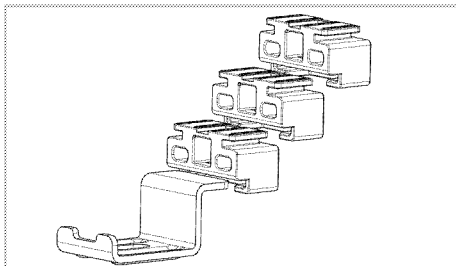


3. Place the hob on the counter and align it.



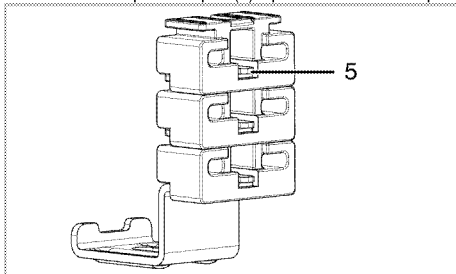
- 1 Hob
- 2 Installation clamp
- 3 Counter

5. If the counter thickness is smaller to fix with clamp, it can be used with the additional pieces. Add the pieces to clamp according to your counter height dimensions as shown below.



- 4 Additional piece

6. To remove pieces from each other, it should be needed to pull the pin (1) up and remove the piece.

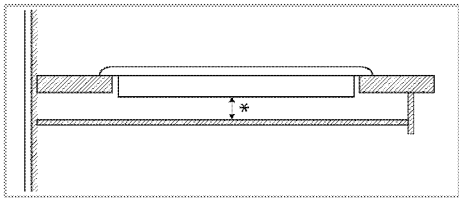


- 5 Pin



When installing the hob onto a cabinet, a shelf must be installed in order to separate the cabinet from the hob as illustrated in the above figure. This is not required when installing onto a built-under oven.

For example, if it is possible to touch the bottom of the product since it is installed onto a drawer, this section must be covered with a wooden plate.

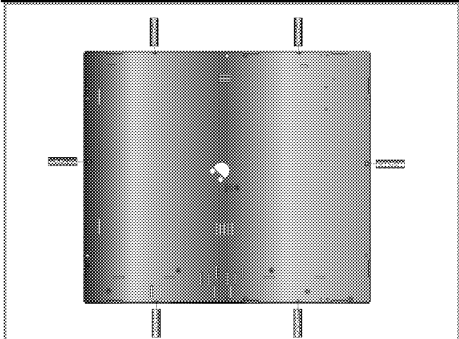


* min. 15 mm

Rear view (connection holes)



Location of the connection holes shown in the below figure are schematic, may vary depending on the product model. Fix them according to connection holes on your product.



DANGER:

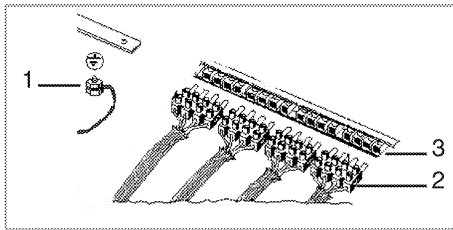
Making connections to different holes is not a good practice in terms of safety since it can damage the gas and electrical system.



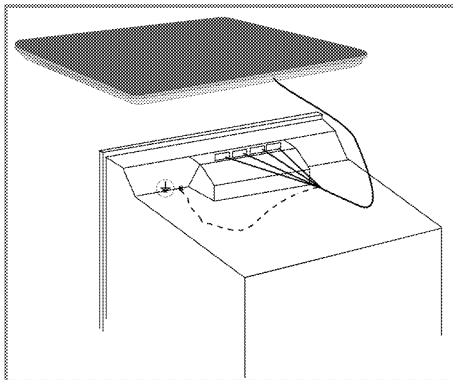
DANGER:

There are gas and electrical components contained within this hob, therefore when fitting the mounting springs/clamps only attach the supplied fixings to the connection holes shown in this manual. Failure to observe this advise may lead to life and property safety

- Fix the hob.
- Make oven connections.
- Slide the oven into the cabinet until half way.
- Connect the hob to the oven.



- 1 Grounding terminal
- 2 Hob connection
- 3 Oven terminal stripe



Slide the oven into the cabinet, align and secure it while making sure that the power cable is not broken and/or trapped.

Final check

1. Operate the product.
2. Check the functions.

4 Preparation

Tips for saving energy

The following information will help you to use your appliance in an ecological way, and to save energy:

- Defrost frozen dishes before cooking them.
- Use pots/pans with cover for cooking. If there is no cover, energy consumption may increase 4 times.
- Select the burner which is suitable for the bottom size of the pot to be used. Always select the correct pot size for your dishes. Larger pots require more energy.
- Pay attention to use flat bottom pots when cooking with electric hobs. Pots with thick bottom will provide a better heat conduction. You can obtain energy savings up to 1/3.
- Vessels and pots must be compatible with the cooking zones. Bottom of the vessels or pots must not be smaller than the hotplate.

- Keep the cooking zones and bottom of the pots clean. Dirt will decrease the heat conduction between the cooking zone and bottom of the pot.
- For long cookings, turn off the cooking zone 5 or 10 minutes before the end of cooking time. You can obtain energy savings up to 20% by using the residual heat.

Initial use

First cleaning of the appliance



The surface might get damaged by some detergents or cleaning materials.

Do not use aggressive detergents, cleaning powders/creams or any sharp objects during cleaning.

Do not use harsh abrasive cleaners or sharp metal scrapers to clean the oven door glass since they can scratch the surface, which may result in shattering of the glass.

1. Remove all packaging materials.
2. Wipe the surfaces of the appliance with a damp cloth or sponge and dry with a cloth.

5 How to use the hob

General information about cooking



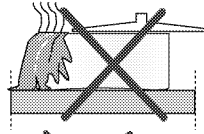
Never fill the pan with oil more than one third of it. Do not leave the hob unattended when heating oil. Overheated oils bring risk of fire. **Never attempt to extinguish a possible fire with water!** When oil catches fire, cover it with a fire blanket or damp cloth. Turn off the hob if it is safe to do so and call the fire department.

- Before frying foods, always dry them well and gently place into the hot oil. Ensure complete thawing of frozen foods before frying.
- Do not cover the vessel you use when heating oil.
- Place the pans and saucepans in a manner so that their handles are not over the hob to prevent heating of the handles. Do not place unbalanced and easily tilting vessels on the hob.
- Do not place empty vessels and saucepans on cooking zones that are switched on. They might get damaged.
- Operating a cooking zone without a vessel or saucepan on it will cause damage to the product. Turn off the cooking zones after the cooking is complete.
- As the surface of the product can be hot, do not put plastic and aluminum vessels on it. Clean any melted such materials on the surface immediately. Such vessels should not be used to keep foods either.
- Use flat bottomed saucepans or vessels only.
- Put appropriate amount of food in saucepans and pans. Thus, you will not have to make any unnecessary cleaning by preventing the dishes from overflowing. Do not put covers of saucepans or pans on cooking zones. Place the saucepans in a manner so that they are centered on the cooking zone. When you want to move the saucepan onto another cooking zone, lift and place it onto the cooking zone you want instead of sliding it.

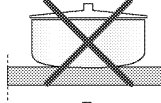
Tips about glass ceramic hobs

- Glass ceramic surface is heatproof and is not affected by big temperature differences.

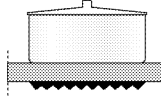
- Do not use the glass ceramic surface as a place of storage or as a cutting board.
- Use only the saucepans and pans with machined bottoms. Sharp edges create scratches on the surface.
- Do not use aluminum vessels and saucepans. Aluminum damages the glass ceramic surface.



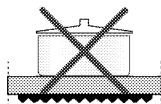
Spills may damage the glass ceramic surface and cause fire.



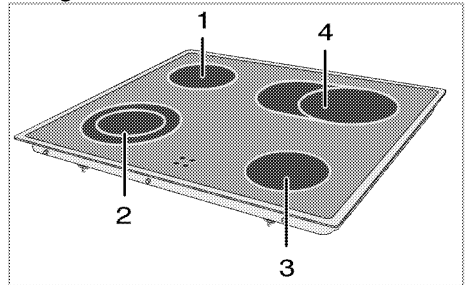
Do not use vessels with concave or convex bottoms.



Use only the saucepans and pans with flat bottoms. They ensure easier heat transfer. If the diameter of the saucepan is too small, energy will be wasted.



Using the hobs



- 1 Single-circuit cooking plate 14-16 cm
- 2 Dual-circuit cooking plate 12-14/18-20 cm
- 3 Single-circuit cooking plate 14-16 cm
- 4 Extended cooking plate 17-19/26-28 cm is list of advised diameter of pots to be used on related burners.

**DANGER:**

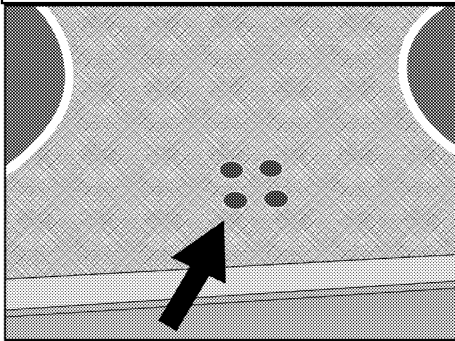
Do not allow any object to drop on the hob. Even small objects such as a saltshaker may damage the hob.
Do not use cracked hobs. Water may leak through these cracks and cause short circuit. In case of any kind of damage on the surface (eg., visible cracks), switch off the product immediately to minimize the risk of electric shock.

Glass ceramic hob is equipped with an operation light and a hot zone warning indicator.

Hot zone warning indicator indicates the status of the active zone and it remains lit after the plate is turned off. When the temperature of the plate cools down to a level that it can be touched by hand, warning indicator turns off. Flickering of the hot zone warning indicator is not a failure.



Quick heating glass-ceramic hobs emit a bright light when they are switched on. Do not stare at the bright light.

**Turning on the ceramic plates**

The hob control knobs are used for operating the plates. To obtain the desired cooking power, turn the hob control knobs to the corresponding level.

Cooking level	1	2 — 3	4 — 6
	warming	stewing, simmering	cooking, roasting, boiling

Cooking level	1	2	3
	warming	stewing, simmering	cooking, roasting, boiling

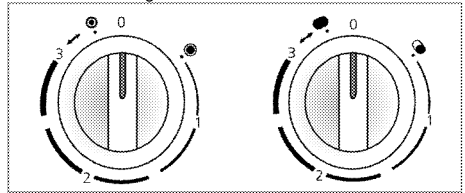
Turning off the ceramic plates

Turn the plate knob to OFF (upper) position.

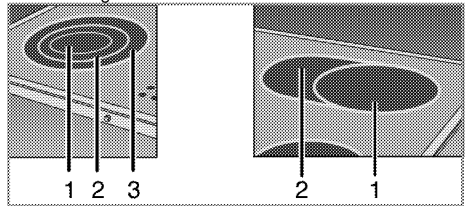
Using multi-segmented cooking zones

Multi-segmented cooking zones allows to cook with different size of saucepans on the same cooking zone. When these cooking zones are activated, first the inward cooking zone turns on.

- To change the active cooking zone diameter, turn the control knob clockwise.
- A "click" will be heard as soon as the hotplate radius changes.

**Turning off multi-segment cooking zones**

- Turn the knob counter clockwise to OFF (upper) position to turn off the oven. All segments of the cooking zone are turned off.



- Position 1
- Position 2
- Position 3



Position 2 and 3 of the multi-segment cooking zones do not operate independently.

6 Maintenance and care

General information

Service life of the product will extend and the possibility of problems will decrease if the product is cleaned at regular intervals.



DANGER:

Disconnect the product from mains supply before starting maintenance and cleaning works.

There is the risk of electric shock!



DANGER:

Allow the product to cool down before you clean it.

Hot surfaces may cause burns!

- Clean the product thoroughly after each use. In this way it will be possible to remove cooking residues more easily, thus avoiding these from burning the next time the appliance is used.
- No special cleaning agents are required for cleaning the product. Use warm water with washing liquid, a soft cloth or sponge to clean the product and wipe it with a dry cloth.
- Always ensure any excess liquid is thoroughly wiped off after cleaning and any spillage is immediately wiped dry.
- Do not use cleaning agents that contain acid or chloride to clean the stainless or inox surfaces and the handle. Use a soft cloth with a liquid detergent (not abrasive) to wipe those parts clean, paying attention to sweep in one direction.



The surface might get damaged by some detergents or cleaning materials.

Do not use aggressive detergents, cleaning powders/creams or any sharp objects during cleaning.

Do not use harsh abrasive cleaners or sharp metal scrapers to clean the oven door glass since they can scratch the surface, which may result in shattering of the glass.



Do not use steam cleaners to clean the appliance as this may cause an electric shock.

Cleaning the hob

Glass ceramic surfaces

Wipe the glass ceramic surface using a piece of cloth dampened with cold water in a manner as not to leave any cleaning agent on it. Dry with a soft and dry cloth. Residues may cause damage on the glass ceramic surface when using the hob for the next time.

Dried residues on the glass ceramic surface should under no circumstances be scraped with hook blades, steel wool or similar tools.

Remove calcium stains (yellow stains) by a small amount of lime remover such as vinegar or lemon juice. You can also use suitable commercially available products.

If the surface is heavily soiled, apply the cleaning agent on a sponge and wait until it is absorbed well. Then, clean the surface of the hob with a damp cloth.



Sugar-based foods such as thick cream and syrup must be cleaned promptly without waiting the surface to cool down. Otherwise, glass ceramic surface may be damaged permanently.

Slight color fading may occur on coatings or other surfaces in time. This will not affect operation of the product.

Color fading and stains on the glass ceramic surface is a normal condition, and not a defect.

7 Troubleshooting

Product emits metal noises while heating and cooling.

- When the metal parts are heated, they may expand and cause noise. >>> *This is not a fault.*

Product does not operate.

- The mains fuse is defective or has tripped. >>> *Check fuses in the fuse box. If necessary, replace or reset them.*
- Product is not plugged into the (grounded) socket. >>> *Check the plug connection.*

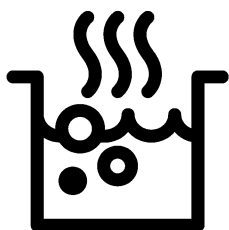


Consult the Authorised Service Agent or technician with licence or the dealer where you have purchased the product if you can not remedy the trouble although you have implemented the instructions in this section. Never attempt to repair a defective product yourself.



Einbau-Kochfeld

Gebrauchsanleitung



DE

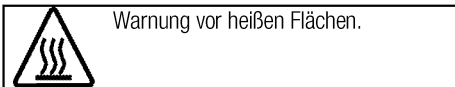
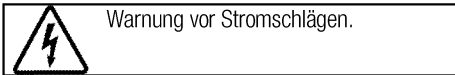
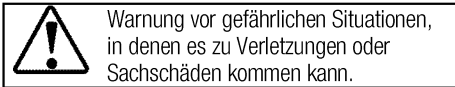
Bitte zuerst diese Bedienungsanleitung lesen!

Sehr geehrte Kundin, sehr geehrter Kunde,
vielen Dank für den Kauf eines Beko-Produktes. Wir hoffen, dass dieses Produkt, das mit hochwertiger und hochmoderner Technologie hergestellt wurde, beste Ergebnisse erzielt. Daher bitte die gesamte Bedienungsanleitung und alle beiliegenden Dokumente aufmerksam durchlesen und zum zukünftigen Nachschlagen aufbewahren. Bei Weitergabe des Produktes auch die Bedienungsanleitung mit aushändigen. Alle Warnungen und Informationen in der Bedienungsanleitung einhalten.

Bitte beachten, dass diese Bedienungsanleitung für unterschiedliche Modelle geschrieben wurde. Unterschiede zwischen den verschiedenen Modellen werden natürlich in der Anleitung erwähnt.

Die Symbole

In dieser Anleitung verwenden wir folgende Symbole:



Arçelik A.Ş.
Karaağaç caddesi No:2-6
34445 Sülüce/Istanbul/TURKEY
Made in TURKEY

1 Wichtige Sicherheits- und Umwelthinweise **4**

Allgemeine Sicherheit.....	4
Elektrische Sicherheit.....	5
Produktsicherheit.....	5
Bestimmungsgemäße Verwendung.....	7
Sicherheit von Kindern.....	7
Altgeräte entsorgen.....	7
Verpackungsmaterialien entsorgen.....	8
Transport.....	8

2 Allgemeine Informationen **9**

Geräteübersicht.....	9
Technische Daten.....	9

3 Installation **11**

Vor der Installation.....	11
Einbauen und Anschließen.....	13

4 Vorbereitungen **16**

Tipps zum Energiesparen.....	16
Erste Inbetriebnahme.....	16
Erstreinigung des Gerätes.....	16

5 Bedienung Kochfeld **17**

Allgemeine Hinweise zum Kochen.....	17
Kochfeld verwenden.....	17

6 Reinigung und Wartung **19**

Allgemeine Hinweise.....	19
Kochfeld reinigen.....	19

7 Problemlösungen **20**

1 Wichtige Sicherheits- und Umwelthinweise

Dieser Abschnitt enthält Hinweise, die für die Sicherheit des Benutzers und anderer Personen unerlässlich sind. Diese Hinweise müssen beachtet werden, damit es nicht zu Verletzungen oder Sachschäden kommt.

Bei Nichteinhaltung dieser Anweisungen erlöschen sämtliche Garantieansprüche.

Allgemeine Sicherheit

- Dieses Gerät darf von Kindern (ab acht Jahren) oder Personen bedient werden, die unter körperlichen, sensorischen oder geistigen Einschränkungen leiden oder denen es an der nötigen Erfahrung und Wissen im Umgang mit solchen Geräten mangelt, wenn solche Personen beaufsichtigt werden und, zuvor gründlich mit der sicheren Bedienung des Gerätes vertraut gemacht wurden und sich der damit verbundenen Gefahren voll und ganz bewusst sind. Kinder dürfen nicht mit dem Gerät spielen. Reinigungs- und Wartungsarbeiten dürfen von Kindern nicht ohne Aufsicht eines Erwachsenen durchgeführt werden.
- Das Gerät darf nicht von Personen genutzt werden, die unter körperlichen oder geistigen Einschränkungen leiden oder denen es an der nötigen Erfahrung im Umgang mit solchen Geräten mangelt. Ausnahmen sind nur dann möglich, wenn solche Personen beaufsichtigt werden oder gründlich über den richtigen Umgang mit dem Gerät aufgeklärt wurden. Dies gilt natürlich auch für Kinder. Kinder müssen stets beaufsichtigt werden, damit sie nicht mit dem Gerät spielen.
- Falls das Produkt an jemand anderen zur persönlichen oder Secondhand-Benutzung übergeben wird, sollten Bedienungsanleitung, Produktetiketten und andere relevante Dokumente und Teile ebenfalls übergeben werden.
- Installation und Reparaturen müssen grundsätzlich vom autorisierten Kundendienst ausgeführt werden. Der Hersteller haftet nicht für Schäden, die durch den Eingriff nicht autorisierter Personen entstehen; zudem kann dadurch die Garantie erlöschen. Vor der Installation aufmerksam alle Anweisungen lesen.
- Gerät nicht nutzen, falls es nicht ordnungsgemäß funktioniert oder

sichtbare Beschädigungen aufweist.

- Nach jeder Benutzung prüfen, ob die Funktionsknöpfe des Produktes ausgeschaltet sind.

Elektrische Sicherheit

- Falls das Produkt einen Fehler aufweist, sollte es bis zur Reparatur durch einen autorisierten Kundendienstmitarbeiter nicht in Betrieb genommen werden. Es besteht Stromschlaggefahr!
- Schließen Sie das Produkt nur an eine geerdete Steckdose an, deren Spannung und Schutz den Angaben unter „Technische Daten“ entsprechen. Lassen Sie durch einen qualifizierten Elektriker eine Erdung vornehmen. Unser Unternehmen haftet nicht für Probleme, die durch ein nicht entsprechend den örtlichen Richtlinien geerdetes Produkt entstehen.
- Reinigen Sie das Produkt niemals, indem Sie Wasser darauf verteilen oder schütten! Es besteht Stromschlaggefahr!
- Das Produkt darf während Installation, Wartung, Reinigung und Reparatur nicht an eine Steckdose angeschlossen sein.
- Falls das Netzkabel des Produktes beschädigt ist, muss es zur Vermeidung von Gefahren vom

Hersteller, einem Kundendienstmitarbeiter oder vergleichbar qualifizierten Personen ausgetauscht werden.

- Das Gerät muss so installiert sein, dass es vollständig vom Netzwerk getrennt werden kann. Die Trennung muss entsprechend den Baurichtlinien entweder durch einen Netzstecker oder einen in der festen elektrischen Installation eingebauten Schalter ermöglicht werden.
- Jegliche Arbeiten an elektrischen Geräten und Systemen sollten von autorisierten und qualifizierten Personen ausgeführt werden.
- Schalten Sie das Gerät bei Schäden aus, unterbrechen Sie die entsprechende Stromversorgung. Schalten Sie dazu die Sicherungen im Haus ab.
- Stellen Sie sicher, dass die Sicherungsangaben mit dem Produkt kompatibel sind.

Produktsicherheit

- **WARNUNG:** Das Gerät und seine zugänglichen Teile werden während des Betriebs heiß. Keine Heizelemente berühren. Kinder unter 8 Jahren fernhalten, sofern nicht kontinuierlich beaufsichtigt.
- Produkt niemals nutzen, wenn Urteilsvermögen oder Koordination durch Alkohol

- und/oder Drogen beeinträchtigt sind.
- Bei alkoholischen Getränken in den Gerichten entsprechend vorsichtig sein. Alkohol verdampft bei hohen Temperaturen und kann durch Entzünden bei Kontakt mit heißen Oberflächen Feuer verursachen.
 - Keine brennbaren Materialien in der Nähe des Produktes aufstellen, da die Seiten während des Gebrauchs heiß werden können.
 - Darauf achten, dass keine Belüftungsschlitze blockiert werden.
 - Zur Reinigung des Gerätes keine Dampfreiniger verwenden; andernfalls besteht Stromschlaggefahr.
 - **WARNUNG:** Unbeaufsichtigtes Garen auf einem Kochfeld mit Fett oder Öl kann gefährlich sein und Brände verursachen. Niemals versuchen, ein Feuer mit Wasser zu löschen; stattdessen das Gerät abschalten und Flammen z. B. mit einem Deckel oder einer Feuerlöschdecke abdecken.
 - **VORSICHT:** Das Gerät muss beim Kochen im Auge behalten werden. Auch bei kurzen Zubereitungen muss das Gerät ständig im Auge behalten werden.
 - **WARNUNG:** Brandgefahr: Keine Gegenstände auf den Kochoberflächen aufbewahren.
 - **WARNUNG:** Falls die Oberfläche gesprungen ist, Gerät zur Vermeidung möglicher Stromschlaggefahr abschalten.
 - Falls das Glas der Herdplatte springt: Schalten Sie umgehend alle Brenner und elektrischen Heizelemente aus und trennen Sie das Gerät von der Stromversorgung. Geräteoberfläche nicht berühren! Gerät nicht benutzen.
 - Das Gerät darf nicht über externe Timer oder separate Fernsteuerungssysteme betrieben werden.
 - Dampfdruck, der aufgrund von Feuchtigkeit an der Kochfeldoberfläche oder an der Unterseite des Kochgeschirrs entsteht, kann dazu führen, dass sich das Kochgeschirr bewegt. Daher muss sichergestellt werden, dass Kochfeldoberfläche und Unterseite des Kochgeschirrs immer trocken sind.
 - **WARNUNG:** Verwenden Sie nur Kochfeldschutzabdeckungen, die vom Hersteller des Gerätes entwickelt wurden oder vom Gerätehersteller in der Anleitung als geeignet angegeben sind, bzw.

die mit dem Gerät gelieferten Kochfeldschutzabdeckungen. Die Nutzung nicht geeigneter Schutzabdeckungen kann Unfälle verursachen.

Brandschutzvorkehrungen des Produktes:

- Sicherstellen, dass die elektrische Verbindung richtig in die Steckdose eingesteckt ist und keine Funken erzeugt.
- Keine beschädigten oder abgeschnittenen Kabel bzw. Verlängerungskabel verwenden; nur das Originalkabel einsetzen.
- Beim Anschließen des Produktes sicherstellen, dass sich keine Flüssigkeit oder Feuchtigkeit an der elektrischen Verbindung befindet.

Bestimmungsgemäße Verwendung

- Dieses Gerät wurde für den reinen Hausgebrauch entwickelt. Eine gewerbliche Nutzung ist nicht zulässig.
- **VORSICHT:** Dieses Gerät dient ausschließlich der Zubereitung von Speisen. Es darf nicht zu anderen Zwecken eingesetzt werden.
- Der Hersteller haftet nicht für Schäden, die durch unsachgemäßen Gebrauch oder falsche Bedienung verursacht werden.

Sicherheit von Kindern

- **WARNUNG:** Verschiedene Teile des Gerätes werden während des Gebrauchs heiß. Daher kleine Kinder vom Gerät fernhalten.
- Verpackungsmaterialien können eine Gefahr für Kinder darstellen. Sämtliche Verpackungsmaterialien an einem sicheren Ort und außerhalb der Reichweite von Kindern aufbewahren.
- Elektrische Produkte können eine Gefahr für Kinder darstellen. Kinder im Betrieb daher unbedingt vom Gerät fernhalten. Kinder nicht mit dem Gerät spielen lassen.
- Keine Gegenstände auf das Gerät stellen, die Kinder erreichen können.

Altgeräte entsorgen

Erfüllung von WEEE-Vorgaben zur Entsorgung von Altgeräten:



Dieses Produkt erfüllt die Vorgaben der EU-WEEE-Direktive (2012/19/EU). Das Produkt wurde mit einem Klassifizierungssymbol für elektrische und elektronische Altgeräte (WEEE) gekennzeichnet. Dieses Gerät wurde aus hochwertigen Materialien hergestellt, die wiederverwendet und recycelt werden können. Entsorgen Sie das Gerät am Ende seiner Einsatzzeit nicht mit dem regulären Hausmüll; geben Sie es stattdessen bei einer Sammelstelle zur Wiederverwertung von elektrischen und elektronischen Altgeräten ab. Ihre Stadtverwaltung informiert Sie gerne über geeignete Sammelstellen in Ihrer Nähe.

Einhaltung von RoHS-Vorgaben:

Das von Ihnen erworbene Produkt erfüllt die Vorgaben der EU-RoHS Direktive (2011/65/EU). Es enthält keine

in der Direktive angegebenen gefährlichen und unzulässigen Materialien.

Verpackungsmaterialien entsorgen

- Die Verpackung des Gerätes besteht aus wiederverwertbaren Materialien. Entsorgen Sie diese vorschriftsgemäß und entsprechend sortiert. Entsorgen Sie solche Materialien nicht mit dem normalen Hausmüll.

Transport

- Bewahren Sie den Originalkarton auf, falls Sie das Gerät künftig transportieren müssen. Halten

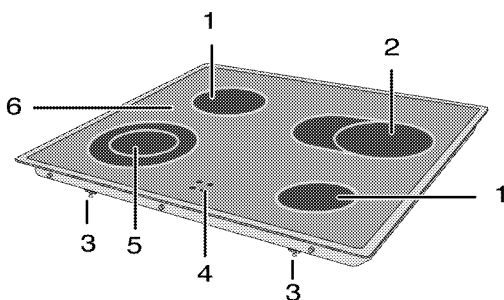
Sie sich an die Hinweise auf dem Karton. Falls Sie den Originalkarton nicht mehr besitzen sollten, verpacken Sie das Gerät in Luftpolsterfolie oder starken Karton, anschließend gut mit Klebeband sichern.



Überprüfen Sie das Gerät nach dem Transport genau, überzeugen Sie sich davon, dass es nicht zu Beschädigungen gekommen ist.

2 Allgemeine Informationen

Geräteübersicht





- | | | | |
|---|-----------------------|---|------------------|
| 1 | Getempertes Glas | 4 | Restwärmanzeige |
| 2 | Montageklemme | 5 | Einzelkochplatte |
| 3 | Erweiterte Kochplatte | 6 | Doppelkochplatte |

Technische Daten

Spannung/Frequenz	220-240 V ~ 50 Hz
Leistungsaufnahme gesamt	6.5 kW
Kabeltyp/Kabelquerschnitt	MinimumH05RR-F 4.0 mm ² (220-240 V) / 2.5 mm ² (380-415 V)
Außenabmessungen (Höhe/Breite/Tiefe)	55 mm/580 mm/510 mm
Einbaumaße (Breite/Tiefe)	560 mm/490 mm
Kochzonen	
Hinten links	Einzelkochplatte
Abmessungen	140 mm
Leistung	1200 W
Vorne links	Doppelkochplatte
Abmessungen	120/180 mm
Leistung	700/1700 W
Vorne rechts	Einzelkochplatte
Abmessungen	140 mm
Leistung	1200 W
Hinten rechts	Erweiterte Kochplatte
Abmessungen	170/265mm
Leistung	1500/2400 W

 Im Zuge der Qualitätsverbesserung können sich technische Daten ohne Vorankündigung ändern.

 Die Abbildungen in dieser Anleitung dienen lediglich der Veranschaulichung und können etwas vom tatsächlichen Aussehen des Gerätes abweichen.

 Angaben am Produkt oder in der begleitenden Dokumentation wurden unter Laborbedingungen unter Berücksichtigung der zutreffenden Richtlinien ermittelt. Solche Werte können je nach Einsatzumgebung und Nutzungsweise des Gerätes abweichen.

Herd/Ofen-Kombination

	EH 9641 XHN			
EH 9640 XO	X	-	-	-
EH 9645 XO	X	-	-	-
-	-	-	-	-
-	-	-	-	-
-	-	-	-	-
-	-	-	-	-
-	-	-	-	-
-	-	-	-	-
-	-	-	-	-

** Bei den gekennzeichneten Modellen können die erweiterten und Doppelkreiskochstellen nicht gleichzeitig genutzt werden.

3 Installation

Gerät vom nächstgelegenen autorisierten Kundendienst gemäß gültigen Bestimmungen installieren lassen. Andernfalls erlischt die Garantie. Der Hersteller haftet nicht für Schäden, die durch Aktivitäten nicht autorisierter Personen entstehen; zudem kann dadurch die Garantie erlöschen.



Die Vorbereitung des Aufstellungsortes und der elektrischen Anschlüsse sind Sache des Kunden.



GEFAHR:

Die Installation des Gerätes muss in Übereinstimmung mit sämtlichen zutreffenden Vorschriften zur Elektroinstallation erfolgen.



GEFAHR:

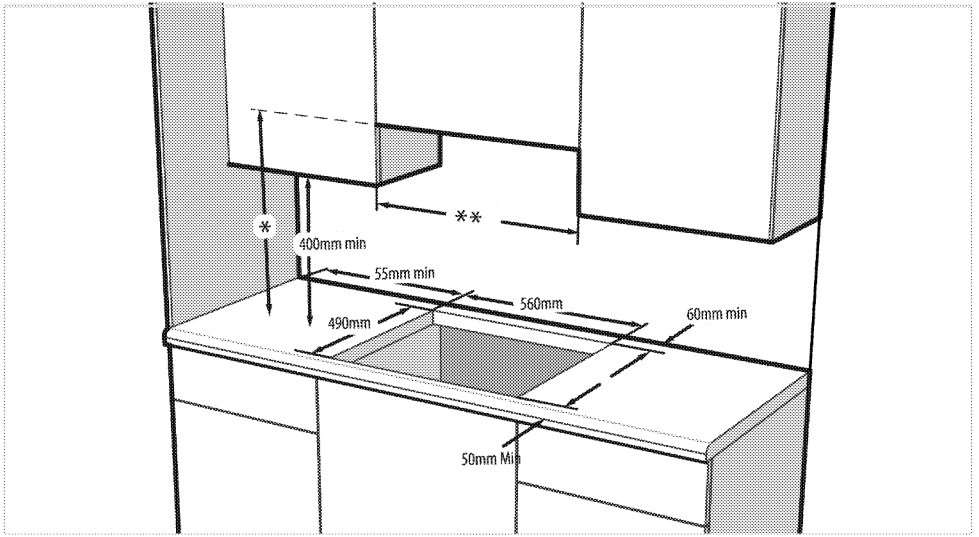
Gerät vor der Installation auf eventuelle, sichtbare Defekte untersuchen. Falls Defekte vorliegen, darf das Gerät nicht installiert werden.

Beschädigte Geräte müssen grundsätzlich als Sicherheitsrisiko betrachtet werden.

Vor der Installation

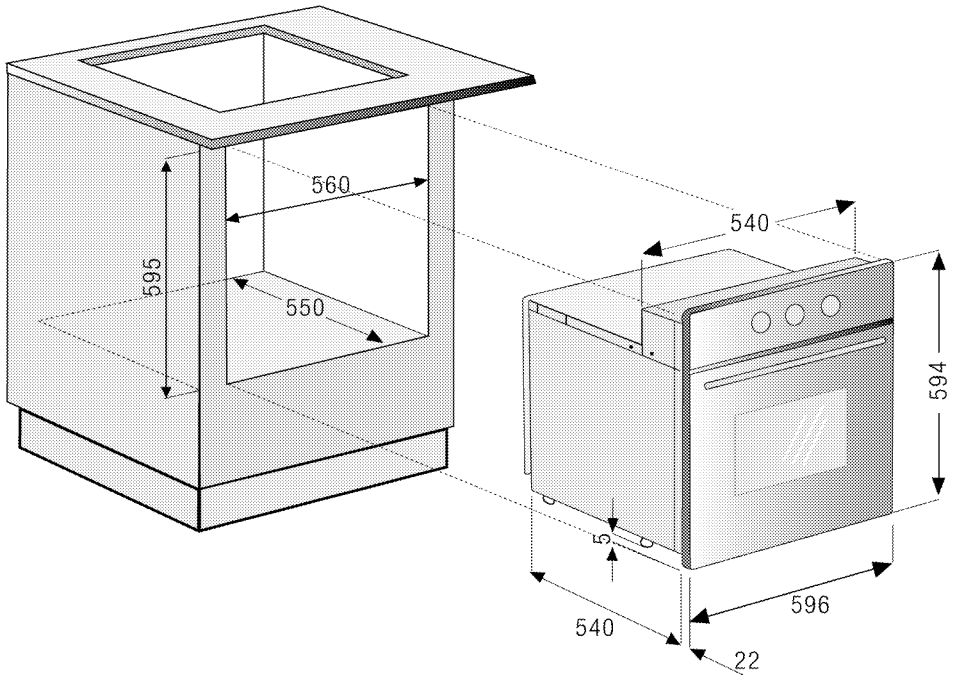
Die Geräte sind für den Einbau in handelsübliche Küchenmöbel vorgesehen. Zwischen Gerät und angrenzenden Küchenwänden und -möbeln muss ein Sicherheitsabstand verbleiben. Siehe Abbildung auf der nächsten Seite (Angaben in mm).

- Der Ofen kann auch freistehend benutzt werden. Achten Sie auf einen minimalen Abstand von 750 mm oberhalb des Kochfeldes.
- (*) Wenn eine Dunstabzugshaube über dem Herd installiert werden soll, beachten Sie die Anweisungen des Herstellers zur Installationshöhe (mindestens 650 mm Abstand).
- Verpackungsmaterial und Transportsicherungen entfernen.
- Oberflächen, Kunststoffbeläge und verwendete Kleber (auch der umgebenden Küchenmöbel) müssen hitzebeständig sein (bis mindestens 100 °C).
- Das Kochfeld wird für die Stromversorgung mit dem Backofen verbunden. Beide Geräte müssen dazu übereinander eingebaut werden.
- Die Küchenarbeitsplatte entsprechend den Einbaumaßen ausschneiden.
- Die Schnittflächen versiegeln und Abschlusskanten abdichten.
- Küchenarbeitsplatte und Küchenmöbel müssen waagrecht ausgerichtet und fixiert sein.
- Das Kochfeld darf nur mit **einer** Geräterkante neben höheren Küchenmöbeln, Geräten oder Wänden eingebaut werden.
- Zwischen Backofenrückwand und Küchenwand muss für die Luftzirkulation ein Abstand bleiben.
- Befindet sich unter dem Backofen eine Schublade, muss zwischen Backofen und Schublade ein Trennboden eingesetzt werden.



* Minimale Abzugshöhe gemäß Empfehlungen der zugehörigen Anleitung

** Minimaler Abstand zu Möbeln muss der Breite des Kochfeldes entsprechen



Einbauen und Anschließen

- Die Installation des Gerätes muss in Übereinstimmung mit sämtlichen zutreffenden Vorschriften zur Gas- und Elektroinstallation erfolgen.



Installieren Sie das Kochfeld nicht in der Nähe von scharfen Ecken oder Kanten auf. Glaskeramik kann bei unsachgemäßer Handhabung brechen!

Elektrischer Anschluss

Schließen Sie das Gerät an eine geerdete Schutzkontaktsteckdose/Leitung an, die mit einem Miniatur-Leistungtrennschalter passender Kapazität gemäß der „Technische Daten“-Tabelle abgesichert wird. Lassen Sie durch einen qualifizierten Elektriker eine Erdung vornehmen, egal ob Sie das Produkt mit oder ohne Transformator verwenden. Der Hersteller haftet nicht bei Schäden, die durch den Einsatz des Gerätes ohne vorschriftsmäßige Erdung entstehen.



GEFAHR:

Das Gerät darf nur von einer autorisierten Fachkraft an das Stromnetz angeschlossen werden.

Der Hersteller haftet nicht für Schäden, die durch Aktivitäten nicht autorisierter Dritter entstehen.



GEFAHR:

Das Netzkabel darf nicht eingeklemmt, geknickt oder gequetscht werden und darf nicht mit heißen Geräteteilen in Berührung kommen.

Beschädigte Netzkabel müssen durch einen zugelassenen Elektriker ausgetauscht werden. Andernfalls kann es zu Stromschlägen, Kurzschlüssen und Bränden kommen!

- Der Anschluss muss gemäß nationalen Richtlinien erfolgen.
- Der Netzstecker muss nach der Installation frei zugänglich bleiben, das Netzkabel darf jedoch nicht über das Gerät hinweg verlegt werden.
- Verwenden Sie nur Netzkabel, die den Angaben im Abschnitt „Technische Daten“ entsprechen.



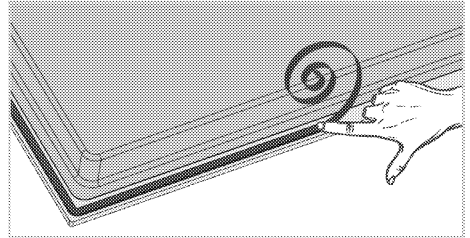
GEFAHR:

Trennen Sie das Gerät vollständig von der Stromversorgung, bevor Sie mit der Elektroinstallation beginnen.

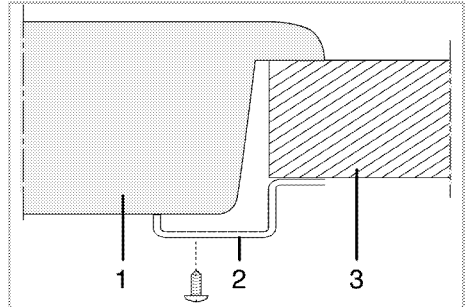
Es besteht Stromschlaggefahr!

Gerät installieren

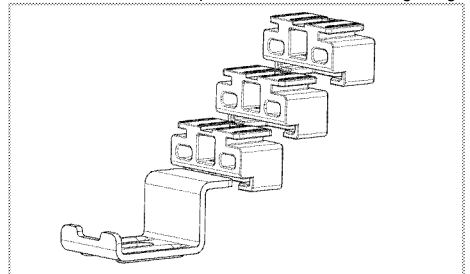
- Drehen Sie das Kochfeld herum; platzieren Sie es auf einem flachen Untergrund.
- Bringen Sie bei Installation des Kochfeldes wie abgebildet die mitgelieferte Dichtung rund um das Kochfeld an. Achten Sie darauf, einen Abstand von 1 bis 2 mm von der Innenseite des Glasaußenrandes einzuhalten.

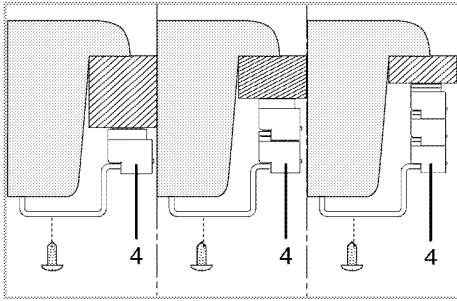


- Zentrieren Sie das Produkt auf der Arbeitsplatte.



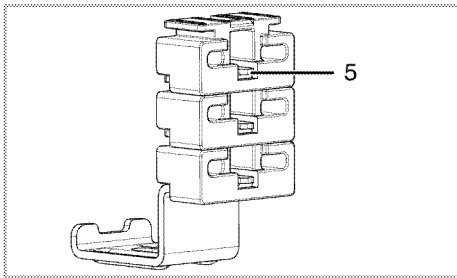
- Kochfeld
 - Montageklemme
 - Arbeitsplatte
- Falls die Dicke der Arbeitsplatte zu gering zur Befestigung mit der Klemme ist, können Sie die zusätzlichen Teile nutzen. Ergänzen Sie die Teile zur Klemme entsprechend den Abmessungen der Höhe Ihrer Arbeitsplatte wie nachstehend gezeigt.





4 Zusätzliche Teile

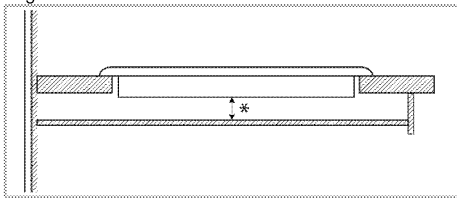
6. Sie können die Teile voneinander entfernen, indem Sie den Stift (5) nach oben ziehen und dann das Teil entfernen



5 Stift

i Bei der Installation des Kochfeldes in einem Möbel muss ein Einlegeboden installiert werden, damit das Möbel vom Kochfeld getrennt wird (vgl. Abbildung oben). Dies ist bei der Installation eines integrierten Ofens nicht erforderlich.

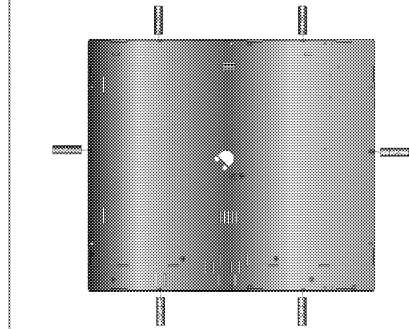
Beispiel: Wenn Sie die Unterseite des Produktes berühren können, da dieses über einer Schublade installiert ist, muss dieser Bereich mit einer Holzplatte abgedeckt werden.



* Minimum 15 mm

Rückansicht (Anschlussöffnungen)

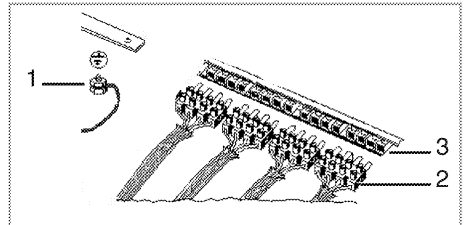
i Positionen der nachstehend abgebildeten Verbindungslöcher sind schematisch und können je nach Produktmodell variieren. Befestigen Sie sie entsprechend den Verbindungsöffnungen an Ihrem Produkt.



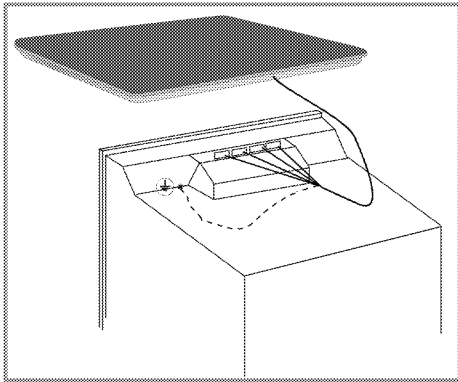
! GEFAHR:
Der Anschluss über mehrere Öffnungen sollte vermieden werden, da es unter Umständen zu Beschädigungen des Gas- und elektrischen Systems kommen kann.

! GEFAHR:
Das Kochfeld enthält Komponenten, die mit Gas und Strom arbeiten. Aus diesem Grund darf das Kochfeld nur durch die Befestigungslöcher unter ausschließlichem Einsatz der mitgelieferten Befestigungselemente und Schrauben und entsprechend den Anweisungen in der Anleitung an der Arbeitsplatte befestigt werden. Andernfalls besteht eine Gefahr für Leib, Leben und Eigentum.

- Befestigen Sie das Kochfeld.
- Stellen Sie die Ofenanschlüsse her.
- Schieben Sie den Ofen zur Hälfte in das Möbel.
- Verbinden Sie Kochfeld und Backofen.



- 1 Erdungsanschluss
- 2 Kochfeldverbindung
- 3 Backofensteckleiste



Schieben Sie den Ofen in das Möbel ein, richten Sie ihn richtig aus und fixieren Sie ihn – achten Sie dabei unbedingt darauf, dass das Netzkabel nicht beschädigt oder eingeklemmt wird.

Endkontrolle

1. Betrieb des Geräts.
2. Prüfen Sie die Funktion.

4 Vorbereitungen

Tipps zum Energiesparen

Mit den folgenden Hinweisen nutzen Sie Ihr Gerät umweltbewusst und energiesparend:

- Tauen Sie gefrorene Gerichte vor der Zubereitung auf.
- Kochen Sie mit Deckel. Beim Kochen ohne Deckel kann der Energieverbrauch auf das Vierfache ansteigen.
- Wählen Sie stets die zum Bodendurchmesser des Kochgeschirrs passende Kochstelle. Entscheiden Sie sich immer für Kochgeschirr in der passenden Größe. Größeres Kochgeschirr verbraucht mehr Energie.
- Achten Sie darauf, beim Kochen mit Elektroherden grundsätzlich Kochgeschirr mit flachem Boden zu verwenden. Kochgeschirr mit dickem Boden leitet die Wärme besser und speichert diese eine Weile. Auf diese Weise können Sie bis zu ein Drittel Energie einsparen.
- Die Größe des Kochgeschirrs muss grundsätzlich zur Kochzone passen. Der Boden des

Kochgeschirrs darf nicht kleiner als die Kochstelle sein.

- Halten Sie das Kochfeld und den Boden des Kochgeschirrs sauber. Verschmutzungen verschlechtern die Wärmeübertragung zwischen Kochfeld und Kochgeschirrboden.
- Wenn die Zubereitung etwas länger dauert, schalten Sie die Kochzone 5 – 10 Minuten vor Ablauf der Garzeit ab. Durch Ausnutzung der Restwärme können Sie bis zu 20 % Energie einsparen.

Erste Inbetriebnahme Erstreinigung des Gerätes



Durch bestimmte Reinigungsmittel können die Oberflächen des Gerätes beschädigt werden. Verwenden Sie keine aggressiven Reinigungsmittel, keine Scheuermittel und keine scharfen oder spitzen Gegenstände bei der Reinigung.

1. Entfernen Sie sämtliches Verpackungsmaterial.
2. Geräteoberflächen mit einem feuchten Tuch oder Schwamm abwischen und mit einem Tuch trocknen.

5 Bedienung Kochfeld

Allgemeine Hinweise zum Kochen



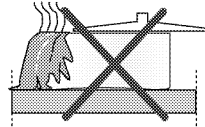
Füllen Sie Kochgeschirr maximal bis zu einem Drittel mit Öl. Lassen Sie das Kochfeld niemals unbeaufsichtigt, wenn Sie mit heißem Öl arbeiten. Überhitzte Öle und Fette können Brände verursachen. **Versuchen Sie niemals, Fettbrände mit Wasser zu löschen!** Falls Öle oder Fette Feuer fangen, ersticken Sie die Flammen mit einer Löschdecke, notfalls mit einem leicht feuchten Tuch. Trennen Sie den Herd von der Stromversorgung, falls dies gefahrlos möglich ist. Rufen Sie die Feuerwehr.

- Vor dem Frittieren trocknen Sie die Lebensmittel gründlich und lassen sie langsam in das heiße Öl hinab. Achten Sie darauf, dass gefrorene Lebensmittel vor dem Frittieren restlos aufgetaut sind.
- Decken Sie das Kochgeschirr beim Frittieren nicht ab.
- Platzieren Sie das Kochgeschirr so auf dem Kochfeld, dass dessen Griffe oder Stiele nicht von anderen Kochstellen erhitzt werden. Stellen Sie keine Behälter auf das Kochfeld, die zum Kippen neigen.
- Stellen Sie kein leeres Kochgeschirr auf eingeschaltete Kochzonen. Es kann zu Beschädigungen kommen.
- Wenn Sie eine Kochzone verwenden, ohne Kochgeschirr darauf zu platzieren, verursacht dies Schäden am Gerät. Schalten Sie die Kochzonen nach dem Gebrauch aus.
- Da sich die Oberfläche des Gerätes erhitzt, legen Sie niemals Gegenstände aus Kunststoff oder Aluminium darauf ab. Entfernen Sie geschmolzene Rückstände solcher Materialien sofort von der Oberfläche. Übrigens sollten Lebensmittel grundsätzlich nicht in solchen Gefäßen gelagert werden.
- Verwenden Sie ausschließlich Kochgeschirr mit flachem Boden.
- Geben Sie die richtige Menge an Lebensmitteln in das jeweilige Kochgeschirr; nicht überfüllen. Dadurch ersparen Sie sich unnötige Reinigungsarbeit durch überlaufende Speisen. Legen Sie die Deckel des Kochgeschirrs nicht auf den Kochzonen ab. Stellen Sie Kochgeschirr so auf das Kochfeld, dass es exakt in der Mitte der Kochzone steht. Wenn Sie Kochgeschirr von einer Kochzone zur nächsten

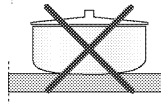
bewegen möchten, heben Sie das Kochgeschirr an, anstatt es über das Kochfeld zu schieben, da es ansonsten zu Schäden der Glaskeramik kommt.

Tipps zu Glaskeramik-Kochfeldern

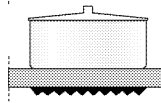
- Glaskeramik ist hitzefest und beständig gegen starke Temperaturdifferenzen.
- Missbrauchen Sie die Glaskeramik nicht als Ablage oder als Schneidbrett.
- Verwenden Sie ausschließlich Kochgeschirr mit entsprechend bearbeitetem Boden. Scharfe Kanten verursachen Kratzer auf der Oberfläche.
- Benutzen Sie kein Kochgeschirr aus Aluminium. Aluminium beschädigt die Glaskeramik.



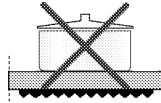
Überlaufende Speisen können die Glaskeramik beschädigen und Brände verursachen.



Kein Kochgeschirr mit gewölbtem Boden verwenden.

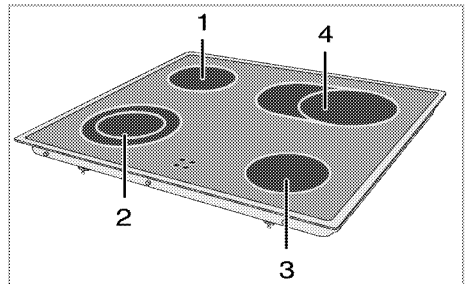


Ausschließlich Kochgeschirr mit ebenem Boden verwenden. Dadurch wird die Hitze optimal übertragen.



Bei Kochgeschirr mit zu geringem Durchmesser verschwenden Sie Energie.

Kochfeld verwenden



- 1 Einzelkochplatte 14-16 cm
- 2 Doppelkochplatte 12-14/18-20 cm
- 3 Einzelkochplatte 14-16 cm
- 4 Erweiterte Kochplatte 17-19/26-28 cm ist eine Liste mit für die jeweiligen Brenner empfohlenen Geschirrdurchmessern.

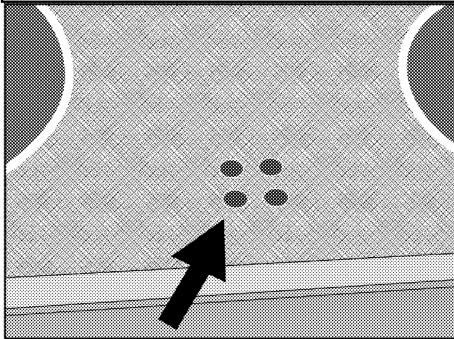
**GEFAHR:**

Lassen Sie keine Gegenstände auf das Kochfeld fallen. Selbst kleine Gegenstände wie Salzstreuer können das Kochfeld beschädigen. Verwenden Sie keine Kochfelder, die gesprungen sind. Durch die Sprünge kann Wasser eindringen und einen gehörigen Kurzschluss verursachen. Falls Sie Beschädigungen der Glaskeramik (z. B. sichtbare Sprünge) bemerken sollten, unterbrechen Sie sofort die Stromversorgung, damit es nicht zu Stromschlägen kommt.

Glaskeramikkochfelder sind mit einer Betriebsanzeige und einer Heizzonenwarnanzeige ausgestattet. Die Heizzonenwarnanzeige zeigt den Zustand der aktiven Kochzone an; sie leuchtet auch nach dem Abschalten der Kochstelle weiter und dient als Restwärmeanzeige. Sobald sich die Temperatur der Kochstelle soweit reduziert, dass sie gefahrlos berührt werden kann, erlischt die Warnanzeige. Ein Flackern der Heizzonenwarnanzeige weist nicht auf einen Fehler hin.



Glaskeramik-Schnellkochstellen leuchten nach dem Einschalten hell auf. Nicht in das helle Licht schauen.

**Keramikplatten einschalten**

Die Kochstellen werden mit den Kochfeldknöpfen bedient. Zum Erzielen der gewünschten Garleistung drehen Sie den Kochfeldknopf auf die entsprechende Stufe.

Leistungsstufe	1	2—3	4—6
	warm halten	dünsten, köcheln	Kochen, Braten, Sieden

Leistungsstufe	1	2	3
	warm halten	dünsten, köcheln	Kochen, Braten, Sieden

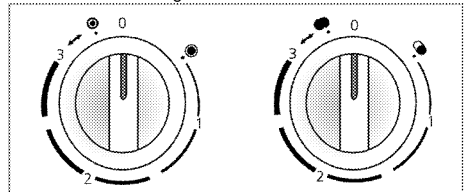
Keramikplatten abschalten

Drehen Sie den Knopf der Kochstelle in die Aus-Position (oben).

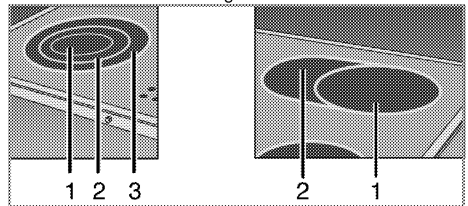
Mehrsegment-Kochzonen verwenden

Die Mehrsegment-Kochzonen ermöglichen Ihnen die Zubereitung mit unterschiedlich großem Kochgeschirr auf derselben Kochzone. Wenn diese Kochzonen aktiviert werden, schaltet sich zuerst die innere Kochzone ein.

1. Drehen Sie den Regler zur Änderung des Durchmessers der aktiven Kochzone im Uhrzeigersinn.
2. Sobald sich der Radius der Kochfeldes verändert, ertönt ein Klickgeräusch.

**Mehrsegment-Kochzonen abschalten**

1. Drehen Sie den Regler zum Ausschalten des Ofens gegen den Uhrzeigersinn in die Aus-Stellung (oben). Sämtliche Segmente der Kochzone werden abgeschaltet.



- 1 Position 1
- 2 Position 2
- 3 Position 3



Position 2 und 3 der Mehrsegment-Kochzonen arbeiten nicht unabhängig voneinander.

6 Reinigung und Wartung

Allgemeine Hinweise

Durch regelmäßiges Reinigen verlängern Sie die Lebenserwartung Ihres Gerätes und beugen Fehlfunktionen vor.

**GEFAHR:**

Trennen Sie das Gerät von der Stromversorgung, bevor Sie es reinigen. Es besteht Stromschlaggefahr!

**GEFAHR:**

Lassen Sie das Gerät vor dem Reinigen gründlich abkühlen. Verbrennungsgefahr durch heiße Flächen!

- Reinigen Sie das Gerät nach jedem Gebrauch gründlich. Dadurch lassen sich Speisereste leichter entfernen und können beim nächsten Einsatz des Gerätes nicht einbrennen.
- Zur Reinigung benötigen Sie keine Spezialreiniger. Verwenden Sie am besten warmes Wasser mit etwas herkömmlichem Reiniger, ein weiches Tuch oder einen Schwamm. Anschließend mit einem Tuch trocknen.
- Achten Sie stets darauf, überschüssige und verschüttete Flüssigkeiten nach der Reinigung gründlich ab- bzw. aufzuwischen.
- Wenn Sie Edelstahl und Griffe reinigen verzichten Sie auf Reinigungsmittel, die Säuren oder Chlor enthalten. Reinigen Sie diese Teile mit einem weichen Tuch und etwas Flüssigreiniger (kein Scheuermittel); wischen Sie dabei am besten nur in eine Richtung.



Durch bestimmte Reinigungsmittel können die Oberflächen des Gerätes beschädigt werden. Verwenden Sie keine aggressiven Reinigungsmittel, keine Scheuermittel und keine scharfen oder spitzen Gegenstände bei der Reinigung.



Nutzen Sie keine Dampfreiniger zur Reinigung des Gerätes – es besteht Stromschlaggefahr.

Kochfeld reinigen

Glaskeramik

Wischen Sie die Glaskeramik mit einem mit warme Wasser angefeuchteten Tuch sauber. Anschließend mit einem weichen Tuch trocknen. Achten Sie darauf, dass keine Rückstände auf der Glaskeramik verbleiben; andernfalls kann das Kochfeld bei der nächsten Nutzung beschädigt werden.

Versuchen Sie niemals, Rückstände mit Messern, Stahlwolle und ähnlichen Hilfsmitteln von der Glaskeramik zu entfernen.

Entfernen Sie Kalkflecken (beige bis gelbe Flecken) mit etwas Kalkentferner; Essig oder Zitronensaft funktionieren ebenfalls. Alternativ können Sie entsprechende handelsübliche Produkte verwenden. Bei hartnäckigen Verschmutzungen tragen Sie Reinigungsmittel mit einem Schwamm auf und warten ab, bis das Mittel richtig in den Schmutz eingezogen ist. Anschließend wischen Sie die Glaskeramik des Kochfeldes mit einem feuchten Tuch sauber.



Stark zuckerhaltige Lebensmittel müssen sofort entfernt werden, bevor die Glaskeramik abkühlt. Andernfalls kann die Glaskeramik dauerhaft beschädigt werden.

Mit der Zeit kann es zu leichten Farbveränderungen der Glaskeramik und der Markierungen kommen. Die Funktion des Gerätes wird dadurch nicht beeinträchtigt. Farbveränderungen und sonstige leichte optische Veränderungen sind bei Glaskeramik normal; es handelt sich nicht um einen Defekt.

7 Problemlösungen

Beim Aufheizen und Abkühlen sind metallische Geräusche zu hören.

- Wenn sich die Temperatur von Metallteilen ändert, dehnen sich diese aus oder ziehen sich zusammen – dabei entstehen Geräusche. >>> *Dies ist kein Fehler.*

Das Gerät funktioniert nicht.

- Die Sicherung ist durchgebrannt oder ausgelöst. >>> *Kontrollieren Sie die Sicherungen im Sicherungskasten. Bei Bedarf austauschen oder zurücksetzen.*
- Das Gerät ist nicht richtig an die (geerdete) Steckdose angeschlossen. >>> *Überprüfen Sie die Steckerverbindung.*

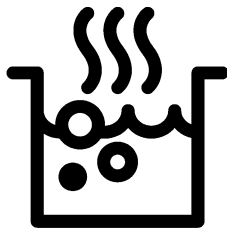


Falls sich ein Problem nicht mit den obigen Hinweisen lösen lassen sollte, wenden Sie sich bitte an den autorisierten Kundendienst oder an den Händler, bei dem Sie das Gerät gekauft haben. Versuchen Sie niemals, ein defektes Gerät selbst zu reparieren.



Inbouwkookplaat

Gebruikershandleiding



NL

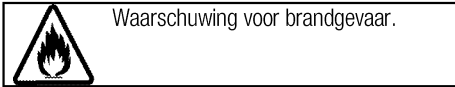
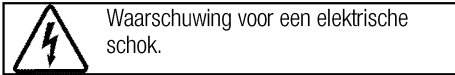
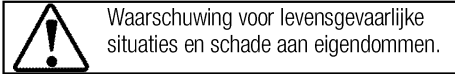
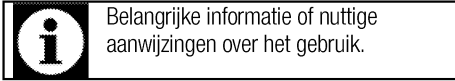
Gelieve eerst deze gebruikershandleiding te lezen!

Beste klant,

Dank u voor het aankopen van een Beko-product. We hopen dat u de beste resultaten verkrijgt uit uw product, dat vervaardigd is met de allernieuwste technologie van hoge kwaliteit. Lees daarom deze volledige gebruikershandleiding en alle andere bijgevoegde documenten zorgvuldig door voordat u het product in gebruik neemt en houd deze ter referentie voor toekomstig gebruik. Als u het product aan iemand anders overdraagt, voeg daar dan de gebruikershandleiding ook bij. Volg alle waarschuwingen en informatie in deze gebruikershandleiding op. Vergeet niet dat deze gebruikershandleiding ook van toepassing kan zijn op verschillende andere modellen. De verschillen tussen de modellen zijn duidelijk aangegeven in de handleiding.

Verklaring van symbolen

In deze gebruikershandleiding worden de volgende symbolen gebruikt:



Arçelik A.Ş.
Karaağaç caddesi No:2-6
34445 Sütlüce/Istanbul/TURKEY
Made in TURKEY

**1 Belangrijke instructies en
waarschuwingen voor veiligheid en
milieu 4**

Algemene veiligheid	4
Elektrische veiligheid	4
Productveiligheid	5
Bedoeld gebruik	7
Kindveiligheid	7
Het oude product afvoeren	7
Verpakkingsmateriaal afvoeren	7
Toekomstig transport	7

2 Algemene informatie 8

Overzicht	8
Technische specificaties	8

3 Installatie 10

Voor installatie	10
Installatie en verbinding	12

4 Voorbereidingen 15

Tips om energie te besparen	15
Het eerste gebruik	15
Eerste reiniging van het toestel	15

5 De kookplaat gebruiken 16

Algemene informatie over koken	16
Gebruik van de kookplaten	16

6 Onderhoud en verzorging 18

Algemene informatie	18
Reiniging van de kookplaat	18

7 Problemen oplossen 19

1 Belangrijke instructies en waarschuwingen voor veiligheid en milieu

Dit gedeelte bevat veiligheidsvoorschriften die helpen persoonlijk letsel of schade aan eigendommen te voorkomen. Het niet opvolgen van deze instructies laat alle garantie vervallen.

Algemene veiligheid

- Dit apparaat kan worden gebruikt door kinderen vanaf 8 jaar en personen met verzwakte fysieke, zintuiglijke of mentale toestand, of met een gebrek aan ervaring en kennis, als deze onder toezicht staan of instructies zijn gegeven betreffende het veilige gebruik van het apparaat en op de hoogte zijn van de betrokken gevaren. Laat kinderen niet met het apparaat spelen. Reiniging en gebruikersonderhoud dienen niet zonder toezicht door kinderen uitgevoerd te worden.
- Dit apparaat mag niet worden gebruikt door personen (kinderen inbegrepen) in verzwakte fysieke, zintuiglijke of mentale toestand, of met een gebrek aan ervaring en kennis, tenzij ze onder toezicht staan of instructies hebben gekregen. Zie erop toe dat kinderen niet met het apparaat spelen.

- Indien het product voor persoonlijk of tweedehands gebruik aan iemand anders wordt overgedragen, dienen de gebruikershandleiding, productetiketten en andere relevante documenten en onderdelen ook te worden overhandigd.
- Installatie- en reparatiewerk moet altijd uitgevoerd worden door bevoegde serviceagenten. De fabrikant is niet aansprakelijk voor schade die voortvloeit uit werkzaamheden door onbevoegde personen. Dit kan de garantie ongeldig maken. Lees alvorens de installatie de instructie zorgvuldig door.
- Gebruik het apparaat niet als het defect is of zichtbare schade vertoont.
- Controleer of de functieknoppen van het product na ieder gebruik zijn uitgeschakeld.

Elektrische veiligheid

- Indien het product een defect heeft, moet het niet in gebruik worden genomen zonder dat het gerepareerd is door een bevoegde onderhoudsdienst. Er is kans op elektrische schokken!

- Sluit het product uitsluitend aan op een geaarde uitgang/lijn met een voltage en beveiliging zoals gespecificeerd in de “Technische specificaties”. Laat de aardingsinstallatie aanleggen door een bevoegd elektricien terwijl u het product met of zonder transformator gebruikt. Ons bedrijf is niet aansprakelijk voor problemen die zijn ontstaan doordat het product niet geaard is in overeenstemming met de plaatselijke voorschriften.
 - Reinig het product nooit door er water overheen te gooien! Er is kans op elektrische schokken!
 - Het product moet tijdens installatie, onderhoud, reiniging en reparatiehandelingen losgekoppeld zijn.
 - Als het stroomkabel van het product beschadigd is, moet deze om gevaar te voorkomen worden vervangen door de fabrikant, door zijn onderhoudsdienst of door soortgelijke bevoegde personen.
 - Het apparaat dient dusdanig geïnstalleerd te zijn dat het volledig van het netwerk afgesloten kan worden. De loskoppeling dient te geschieden door het uittrekken van de stekker of het uitschakelen van een schakelaar die in de vaste elektrische installatie is ingebouwd, volgens de constructievoorschriften.
 - Werk aan elektrische apparatuur of systemen mag uitsluitend worden uitgevoerd door bevoegde en gekwalificeerde personen.
 - Zet in geval van schade het product uit en sluit het af van het elektriciteitsnet. Verwijder daartoe de zekering in huis.
 - Zorg ervoor dat de stroomwaarde van de zekering compatibel is met het product.
- Productveiligheid**
- **WAARSCHUWING:** Het toestel en de toegankelijke onderdelen worden warm tijdens de werking. Zorg ervoor dat u geen verwarmingselementen aanraakt. Behalve als ze voortdurend onder toezicht staan, moeten kinderen jonger dan 8 jaar uit de buurt worden gehouden.
 - Gebruik het product niet wanneer uw beoordelingsvermogen of coördinatie nadelig beïnvloed worden door het gebruik van drugs en/of alcohol.
 - Wees voorzichtig bij het gebruiken van alcoholische dranken in uw maaltijden. Alcohol verdampt bij hoge temperaturen en kan brand veroorzaken aangezien het vlam vat wanneer het in contact komt met warme oppervlakken.

- Plaats geen ontvlambare materialen dichtbij het apparaat aangezien de zijkanten heet worden tijdens gebruik.
 - Houd alle ventilatiesleuven vrij van obstakels.
 - Gebruik geen stoomreinigers om het toestel schoon te maken, want dat kan elektrische schokken veroorzaken.
 - **WAARSCHUWING:** Onbeheerd koken op een kookplaat met vet of olie kan gevaarlijk zijn en kan leiden tot brand. Probeer NOOIT een brand met water te blussen, maar schakel het apparaat uit en bedek vervolgens de vlam met bijvoorbeeld, een deksel of een branddeken.
 - **OPGELET:**Er moet worden toegezien op het kookproces. Er moet voortdurend worden toegezien op een kort kookproces.
 - **WAARSCHUWING:** Brandgevaar: Bewaar geen items op de kookplaten.
 - **WAARSCHUWING:** Als het oppervlak gebarsten is, schakel het apparaat uit om de mogelijkheid van een elektrische schok te voorkomen.
 - In geval van een breuk van de glazen kookplaat: Sluit onmiddellijk alle branders en het elektrisch verwarmingselement af en trek de stekker uit het stopcontact. Raak het apparaatoppervlak niet aan. Gebruik het apparaat niet.
 - Dit apparaat is niet bedoeld om bediend te worden d.m.v. een externe timer of een afzonderlijke afstandsbediening.
 - Stoomdruk die zich ophoopt door vocht op het kookplaatoppervlak of op de bodem van de pot kan de pot doen bewegen. Verzeker u er daarom van dat het fornuisoppervlak en de onderkant van de pannen altijd droog zijn.
 - **WAARSCHUWING:** Gebruik uitsluitend fornuisbeschermers die door de fabrikant van het kooktoestel zijn ontworpen of die door de fabrikant van het toestel in de gebruiksaanwijzing geschikt zijn verklaard of fornuisbeschermers die onderdeel zijn van het toestel. Het gebruik van ongeschikte beschermers kan ongelukken veroorzaken.
- Voor de betrouwbaarheid van de brandbaarheid van het product;
- Zorg ervoor dat de stekker past bij de contactdoos en dat er geen vonken kunnen ontstaan.
 - Gebruik geen beschadigde of gesneden kabel of een verlengkabel, behalve de originele kabel.

- Zorg ervoor dat er geen vloeistof of vocht zit op de ingestoken stekker van het product.

Bedoeld gebruik

- Dit product is bedoeld voor huishoudelijk gebruik. Commercieel gebruik is niet toegelaten.
- OPGELET: Dit toestel is uitsluitend bedoeld voor het koken. Het mag niet als verwarmingstoestel worden gebruikt".
- De fabrikant is niet aansprakelijk voor schade veroorzaakt door foutief gebruik of bediening.

Kindveiligheid

- **WAARSCHUWING:** Toegankelijke onderdelen kunnen tijdens gebruik heet worden. Houd jonge kinderen uit de buurt.
- De verpakkingsmaterialen kunnen gevaarlijk zijn voor kinderen. Houd de verpakkingsmaterialen buiten het bereik van kinderen. Doe alle delen van de verpakking weg volgens de milieunormen.
- Elektrische toestellen zijn gevaarlijk voor kinderen. Houd kinderen bij het product vandaan als het in gebruik is en sta niet toe dat ze ermee spelen.

- Plaats geen items boven het toestel binnen het bereik van kinderen.

Het oude product afvoeren

Voldoet aan de WEEE-richtlijn en de richtlijnen voor afvoeren van het restproduct:



Dit product voldoet aan de EU-richtlijn WEEE (2012/19/EU). Dit product is voorzien van een classificatiesymbool voor afvalsortering van elektrische en elektronische apparatuur (WEEE).

Dit product werd vervaardigd uit onderdelen en materialen van hoge kwaliteit die hergebruikt kunnen worden en geschikt zijn voor recycling. Gooi het restproduct aan het einde van zijn levensduur niet weg bij normaal huishoudelijk of ander afval. Breng het naar het verzamelpunt voor recycling van elektrische en elektronische apparatuur. Raadpleeg uw plaatselijke autoriteiten om te weten waar u deze verzamelpunten aantreft.

Voldoet aan RoHS-richtlijn:

Het door u aangekochte product voldoet aan de EU-richtlijn RoHS (2011/65/EU). Het bevat geen schadelijke en verboden materialen die in deze richtlijn zijn opgenomen.

Verpakkingsmateriaal afvoeren

- Verpakkingsmateriaal is gevaarlijk voor kinderen. Houd verpakkingsmateriaal op een veilige plek buiten het bereik van kinderen. Verpakkingsmateriaal van het product wordt vervaardigd van recyclebaar materiaal. Voer het netjes af en sorteer het overeenkomstig de regels voor recyclebaar afval. Werp het niet weg bij het normale huisafval.

Toekomstig transport

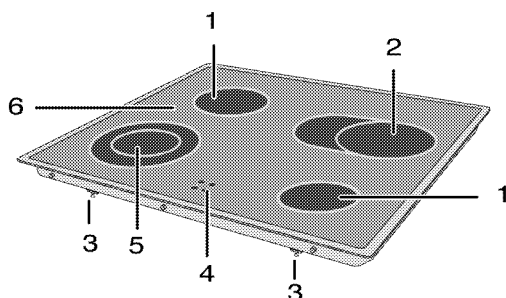
- Bewaar de originele doos van het product en vervoer het product daarin. Volg de aanwijzingen op de doos. Als u de originele doos niet hebt, verpak het product dan in luchtkussenfolie of dik karton en tape het goed vast.



Controleer globaal het uiterlijk van uw product op eventuele schade die tijdens het transport werd veroorzaakt.

2 Algemene informatie

Overzicht



- | | | | |
|---|-----------------------|---|--------------------------------|
| 1 | Gehard glas | 4 | Indicatorlampje kookplaat heet |
| 2 | Montageklem | 5 | Single-circuit kookplaat |
| 3 | Uitgebreide kookplaat | 6 | Dual-circuit kookplaat |

Technische specificaties

Elektrische spanning / frequentie	220-240 V ~ 50 Hz
Totaal stroomverbruik	6.5 kW
Kabeltype/-functionaliteit	min.H05RR-F 4.0 mm ² (220-240 V) / 2.5 mm ² (380-415 V)
Buitenste afmetingen (hoogte/breedte/diepte)	55 mm/580 mm/510 mm
Toestelafmetingen (breedte/diepte)	560 mm/490 mm
Branders	
Links achteraan	Single-circuit kookplaat
Afmetingen	140 mm
Stroom	1200 W
Links vooraan	Dual-circuit kookplaat
Afmetingen	120/180 mm
Stroom	700/1700 W
Rechts vooraan	Single-circuit kookplaat
Afmetingen	140 mm
Stroom	1200 W
Rechts achteraan	Uitgebreide kookplaat
Afmetingen	170/265mm
Stroom	1500/2400 W



De technische specificaties mogen zonder voorafgaande kennisgeving gewijzigd worden om de productkwaliteit te verbeteren.



De afbeeldingen in deze handleiding zijn schematisch en komen mogelijk niet exact overeen met uw product.



Waarden vermeld op de productlabels of in de bijgeleverde documentatie worden verkregen onder laboratoriumomstandigheden overeenkomstig de relevante standaarden. Deze waarden kunnen schommelen afhankelijk van de werkings- en omgevingsomstandigheden van het product.

Combinatie kookplaat - oven

	EH 9641 XHN			
EH 9640 XO	X	-	-	-
EH 9645 XO	X	-	-	-
-	-	-	-	-
-	-	-	-	-
-	-	-	-	-
-	-	-	-	-
-	-	-	-	-
-	-	-	-	-
-	-	-	-	-

** Uitgebreide en dubbele cirkelkookplaten kunnen niet gebruikt worden in combinatie met de gemarkeerde modellen.

3 Installatie

Product dient geïnstalleerd te worden door een bekwaam persoon in overeenstemming met de van kracht zijnde voorschriften. De fabrikant is niet aansprakelijk voor schade die voortvloeit uit werkzaamheden door onbevoegde personen. Mogelijk kan dit de garantie ongeldig maken.



De voorbereiding van de locatie en de elektriciteitsinstallatie voor het product vallen onder de verantwoordelijkheid van de klant.



GEVAAR:

Het product moet aangesloten worden overeenkomstig de lokale gas- en elektriciteitsvoorschriften.



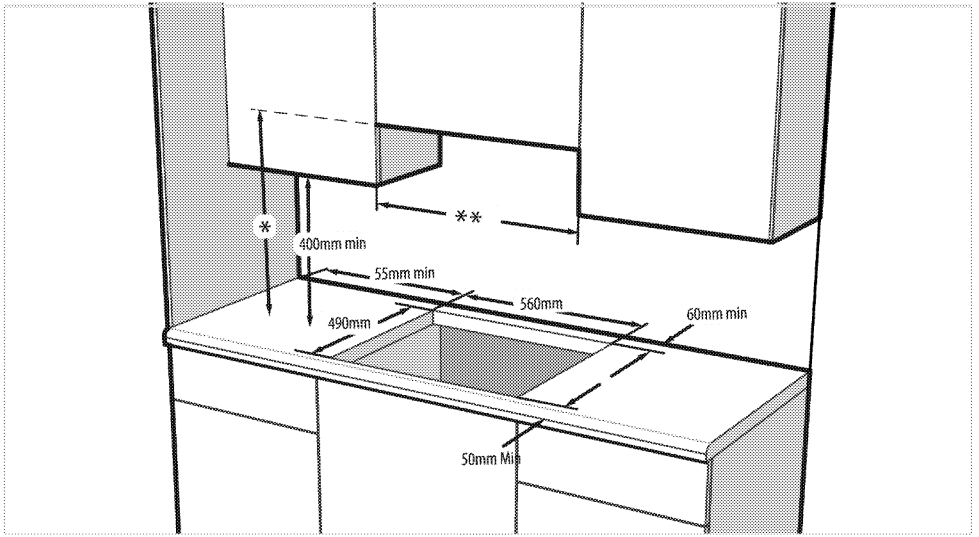
GEVAAR:

Controleer vóór installatie van het product of het zichtbare gebreken heeft. Zo ja, laat het dan niet installeren. Beschadigde producten vormen een gevaar voor uw veiligheid.

Voor installatie

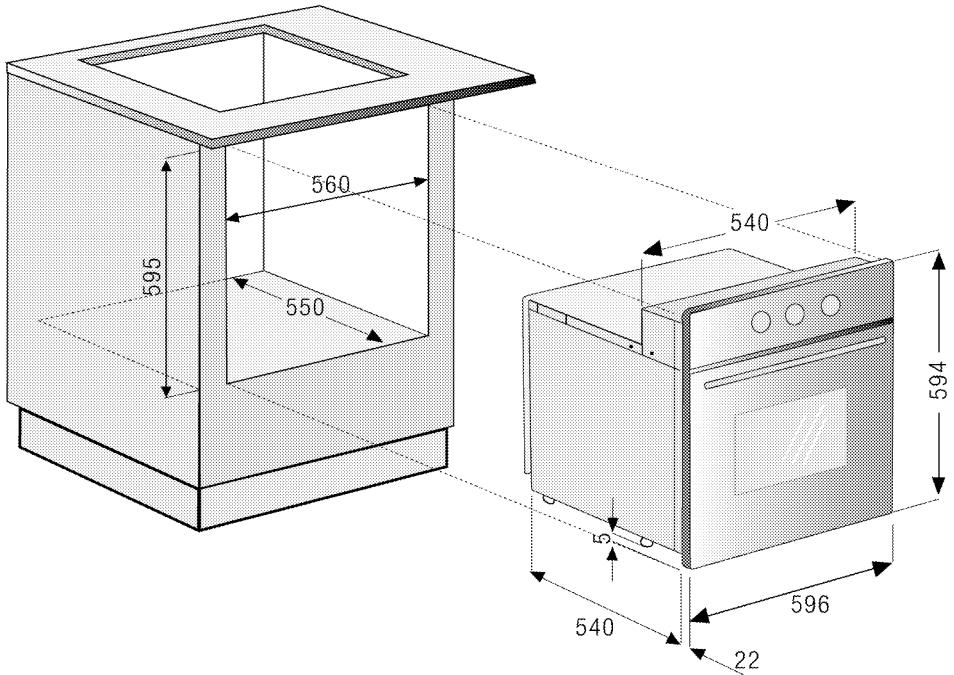
De toestellen zijn bedoeld voor installatie in commercieel beschikbare keukenkasten. Er moet een veiligheidsafstand worden gelaten tussen het apparaat en de keukenwanden en het keukenmeubilair. Zie afbeelding (waarden in mm).

- Het fornuis kan ook losstaand worden geplaatst. Voorzie een minimumafstand van 750 mm boven het kookoppervlak.
- (*) Indien boven het fornuis een afzuigkap wordt geplaatst, dient u de instructies van de fabrikant te raadplegen met betrekking tot de installatiehoogte (minstens 650 mm).
- Verwijder verpakkingsmateriaal en transportsloten.
- Oppervlakken, synthetische laminaten en hechtmiddelen die worden gebruikt, moeten warmtebestendig zijn. (100° C minimum).
- Stroom naar de kookplaat wordt aangevoerd van de oven. Beide toestellen moeten worden geïnstalleerd boven elkaar.
- Maak een opening voor de kookplaat in het werkblad volgens de installatieafmetingen.
- Dicht afgesneden randen en omgezoomde randen af.
- Werkblad en keukenkasten moeten vlak en vast worden geplaatst.
- De kookplaat mag enkel worden geïnstalleerd met **één** rand naast de hogere kasten, toestellen en wanden.
- Er moet ruimte worden behouden tussen de achterkant van de oven en de keukenwand voor luchtcirculatie.
- Indien er een lade is onder de oven moet er een plaat worden geïnstalleerd tussen oven en lade.



* De minimumhoogte naar de afzuiger zoals
aanbevolen in de instructiehandleiding van de
afzuiger

** De minimumafstand tussen de kasten moet gelijk
zijn aan de breedte van de kookplaat



Installatie en verbinding

- Het product moet overeenkomstig de lokale gas- en elektriciteitsvoorschriften aangesloten worden.



Installeer de kookplaat niet op plaatsen met scherpe randen of hoeken.
Er bestaat een risico dat het keramische oppervlak breekt!

Elektrische aansluiting

Sluit het product aan op een geaarde contactdoos die beveiligd is door een zekering met geschikte capaciteit zoals vermeld in de tabel "Technische specificaties".
Laat de aardingsinstallatie aanleggen door een bevoegd elektricien terwijl u het product met of zonder transformator gebruikt. Ons bedrijf is niet aansprakelijk voor schade die voortvloeit uit het gebruik van het product zonder een aardingsinstallatie overeenkomstig de plaatselijke voorschriften.



GEVAAR:

Het product mag uitsluitend door een bevoegde en gekwalificeerde persoon op de netvoeding aangesloten worden. De garantieperiode van het product gaat uitsluitend in na correcte installatie. De fabrikant is niet aansprakelijk voor schade die voortvloeit uit werkzaamheden door onbevoegde personen.



GEVAAR:

De stroomkabel mag niet worden vastgeklemd, verbogen of samengedrukt of in contact komen met warme onderdelen van het product.
Een beschadigde stroomkabel moet door een bevoegde elektricien worden vervangen.
Anders bestaat er een risico op een elektrische schok, kortsluiting of brand!

- De aansluiting moet voldoen aan de landelijke voorschriften.
- De gegevens over de stroomvoorziening moeten overeenkomen met de gegevens vermeld op het typeplaatje van het product. Het modellabel bevindt zich op de achterkant van het product.
- De stroomkabel van uw product moet voldoen aan de waarden in de tabel "Technische specificaties".

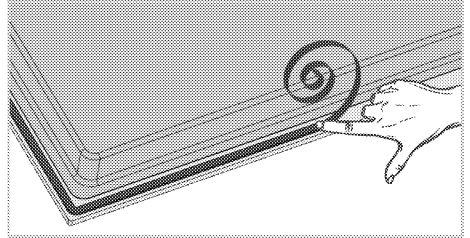


GEVAAR:

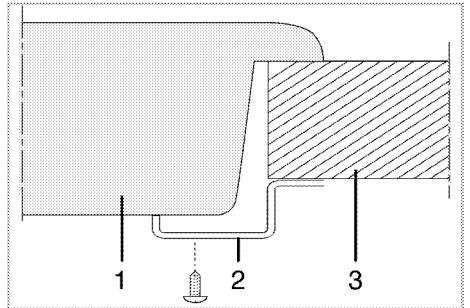
Koppel het product los van het elektriciteitsnet voordat met werk aan de elektrische installatie begonnen wordt.
Er is kans op elektrische schokken!

Het product installeren

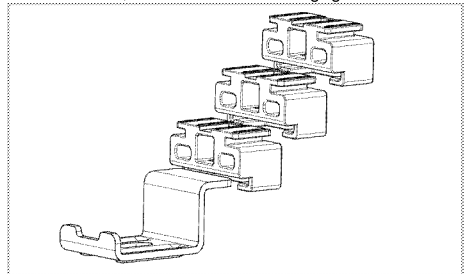
1. Draai de kookplaat om en leg deze op een vlak oppervlak.
2. Bij de installatie van de kookplaat dient u de afdichtingspakking, die bij de verpakking werd geleverd, rond de kookplaat aan te brengen zoals getoond in de volgende afbeelding. Zorg hierbij voor dat deze 1 tot 2 mm binnenin de buitenrand van het glas blijft.

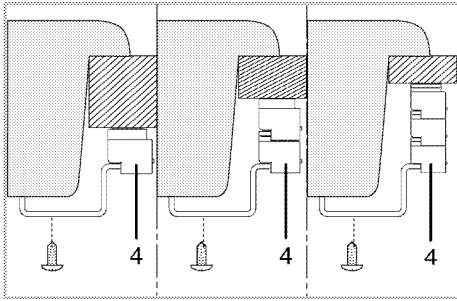


3. Plaats de kookplaat op het aanrecht en lijn deze uit.



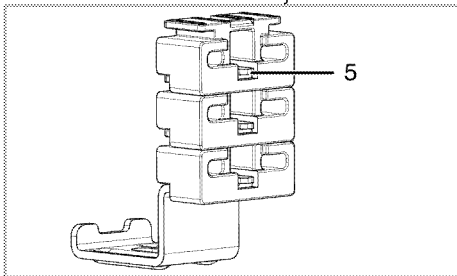
- 1 Kookplaat
 - 2 Installatieklem
 - 3 Werkblad
5. Als de dikte van het werkblad te smal is om met de klem te bevestigen, kan het worden gebruikt met de tussenstukken. Voeg voor bevestiging de tussenstukken toe afhankelijk van de dikte van uw werkblad, zoals hieronder weergegeven.





4 Tussenstukken

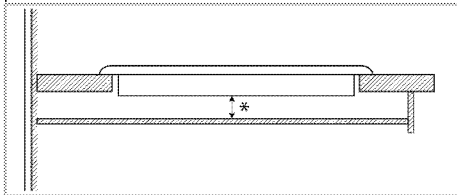
6. Om de tussenstukken van elkaar los te maken, moet de pin (5) naar boven worden getrokken en het tussenstuk worden verwijderd.



5 Pin



Indien het bijvoorbeeld mogelijk is de onderkant van het product aan te raken bij installatie op een lade dient dit gedeelte afgedekt te worden met een houten plank.

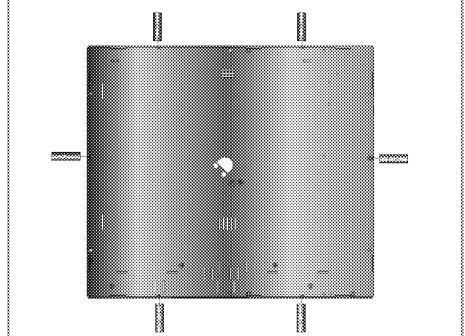


* min. 15 mm

Achteraanzicht (aansluitopeningen)



De locatie van de verbindingsgaten op onderstaande afbeelding zijn schematisch en kunnen verschillen afhankelijk van het model. Deze moeten worden aangepast in functie van de verbindingsgaten die op uw product zijn aangebracht.



GEVAAR:

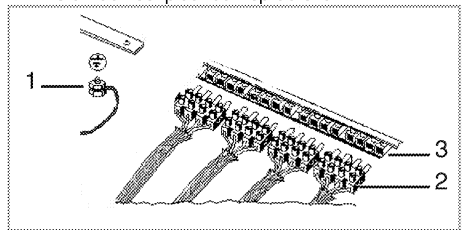
Verbindingen maken naar verschillende openingen is geen goede veiligheidsoefening, aangezien het het gas -en elektriciteitssysteem kan beschadigen.



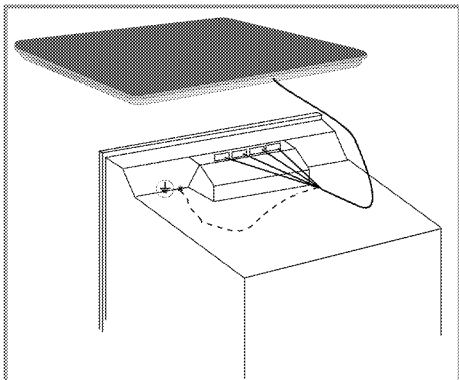
GEVAAR:

Kookplaat bevat onderdelen die op gas en stroom werken. Daarom moet de kookplaat uitsluitend op een werkblad worden bevestigd door middel van de bevestigingsgaten, en uitsluitend met de vergrendelelementen en schroeven die zijn meegeleverd en zoals aangegeven in de handleiding. Anders bestaat er gevaar voor leven en eigendom.

- Bevestig de kookplaat.
- Maak de ovenaansluitingen.
- Schuif de oven half in de kast.
- Sluit de kookplaat aan op de oven.



- 1 Aardingsluitklem
- 2 Kookplaat aansluiting
- 3 Ovensluitklemstrip



Schuif de oven in de kast, uitlijn en bevestig deze terwijl u ervoor zorgt dat de stroomkabel niet breekt en/of vastgeklemd zit.

Laatste controle

1. Het product bedienen.
2. Controleer de functies.

4 Voorbereidingen

Tips om energie te besparen

De volgende informatie zal u helpen om uw apparaat op een ecologische manier te gebruiken en energie te besparen:

- Ontdooi bevroren gerechten voor u ze bereidt.
- Gebruik potten/pannen met deksels om te koken. Als u geen deksel gebruikt kan het energieverbruik met 4 keer toenemen.
- Kies de brander die geschikt is voor de bodemmaat van de te gebruiken pan. Kies altijd de juiste pannemaat voor uw gerechten. Grotere pannen behoeven meer energie.
- Let erop plattebodempotten te gebruiken als u met elektrische kookplaten kookt. Pannen met een dikke bodem voorzien in een betere warmtegeleiding. U kunt tot een 1/3 energie besparen.
- Schalen en pannen moeten compatibel zijn met de kookzones. De bodem van de schalen of pannen mogen niet kleiner zijn dan de kookplaat.

- Houd de kookzones en de bodem van de pannen schoon. Vuil zal de warmtegeleiding tussen de kookzones en de bodem van de pan verminderen.
- Voor lang koken draait u de kookzone 5 of 10 minuten voor het eind van de kooktijd uit. U kunt tot 20% energie besparen door de resterende warmte te gebruiken.

Het eerste gebruik

Eerste reiniging van het toestel



Het oppervlak kan beschadigd geraken door sommige detergents of reinigingsmaterialen. Gebruik geen agressieve detergents, reinigingspoeder/melk of scherpe voorwerpen tijdens het reinigen.

1. Verwijder alle verpakkingsmaterialen.
2. Veeg de oppervlakken van het toestel met een vochtige doek of spons en droog het met een doek.

5 De kookplaat gebruiken

Algemene informatie over koken

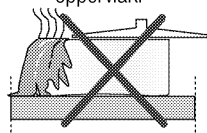


Vul de de pan nooit voor meer dan eenderde met olie. Laat de kookplaat niet onbewaakt achter als u olie verhit. Oververhitte olie geeft brandgevaar. **Probeer een mogelijk vuur nooit te doven met water!** Bedek olie als het in brand vliegt met een branddeken of een vochtige doek. Zet de kookplaat, als dit veilig kan, uit en bel de brandweer.

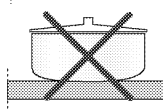
- Droog eten steeds goed af voor het koken en plaats het voorzichtig in de hete olie. Zorg ervoor dat etenswaren volledig zijn ontdooid voor het koken.
- Dek de kookpot niet af als u olie verwarmt.
- Plaats potten en steelpannen zo op de kookplaat dat de handvatten niet over de kookplaat hangen om te voorkomen dat ze opwarmen. Plaats geen kookpotten op de kookplaat die gemakkelijk overhellen of omvallen.
- Plaats geen lege kookpotten en steelpannen op kookzones die zijn ingeschakeld. Ze kunnen beschadigd raken.
- Een kookzone bedienen zonder kookpot of steelpan zal schade veroorzaken aan het product. Schakel de kookzone uit nadat u klaar bent met koken.
- Plaats geen plastic of aluminium kookpotten op het oppervlak omdat dat heet kan zijn. Reinig dergelijke gesmolten materialen meteen van het oppervlak. Dergelijke potten worden best ook niet gebruikt om voedsel in te bewaren.
- Gebruik enkel steelpannen of kookpotten met een vlakke bodem.
- Plaats de aangewezen hoeveelheid voedsel in steelpannen en pannen. Zo hoeft u niet onnodig te reinigen door het overvloeien van voedsel te voorkomen. Plaats geen deksels van steelpannen of pannen op kookzones. Plaats steelpannen zo dat ze gecentreerd staan op de kookzone. Als u een steelpan van één kookzone naar een andere wenst te verplaatsen, heft u ze op in plaats van ze naar de andere kookzone te schuiven.

Tips voor glazen keramische kookplaten

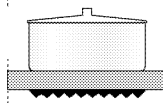
- Glazen keramische oppervlakken zijn hittebestendig en worden niet aangetast door grote temperatuurverschillen.
- Gebruik het glazen keramische oppervlak niet als opslagplaats of snijoppervlak.
- Gebruik enkel steelpannen en pannen met thermodiffusor bodem. Scherpe randen veroorzaken krassen op het oppervlak.
- Gebruik geen aluminium kookpotten en pannen. Aluminium beschadigt het glazen keramische oppervlak.



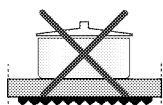
Gemorste vloeistoffen kunnen het glazen keramische oppervlak beschadigen en vuur veroorzaken.



Gebruik geen kookpotten met concave of convexe bodems.

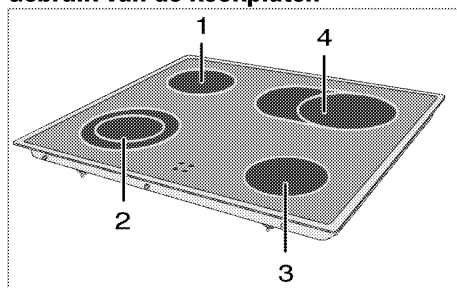


Gebruik enkel steelpannen en pannen met vlakke bodem. Deze verzekeren een betere warmteverdeling.



Als de diameter van de steelpan te klein is, zal er energie verloren gaan.

Gebruik van de kookplaten



- 1 Single-circuit kookplaat 14-16 cm
- 2 Dual-circuit kookplaat 12-14/18-20 cm
- 3 Single-circuit kookplaat 14-16 cm
- 4 Uitgebreide kookplaat 17-19/26-28 cm is een lijst lijst van aanbevolen kookpotdiameters om te gebruiken op de overeenkomstige branders.

**GEVAAR:**

Laat geen voorwerpen op de kookplaat vallen. Zelfs kleine voorwerpen zoals een zoutvatje kunnen de kookplaat beschadigen.

Gebruik geen gebarsten kookplaten. Er kan water door deze barsten lekken en kortsluiting veroorzaken.

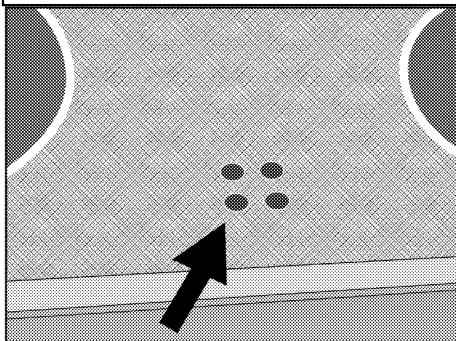
Als u enige schade op het oppervlak aantreft (bijv. zichtbare barsten) dient u het product onmiddellijk uit te zetten om het risico op een elektrische schok te minimaliseren.

De keramische kookplaat is uitgerust met een bedieningslampje en een waarschuwingsindicator voor hete zones.

De waarschuwingsindicator voor hete zones bepaalt de status van de actieve zone en blijft branden nadat de kookplaat werd uitgezet. De waarschuwingsindicator wordt uitgeschakeld als de kookplaat voldoende is afgekoeld om hem veilig met de hand aan te raken. Een flikkerende waarschuwingsindicator voor hete zones is geen storing.



Snelverwarmende keramische kookplaten stralen een helder licht uit wanneer ze worden ingeschakeld. Kijk niet in het heldere licht.

**De keramische kookplaten inschakelen**

De kookplaatknoppen worden gebruikt om de platen te bedienen. Om het gewenste kookvermogen te verkrijgen, draait u de kookplaatknoppen naar het overeenkomstige niveau.

Kookniveau	1	2—3	4—6
	opwarmen	stoven, sudderen	bakken, roosteren, koken

Kookniveau	1	2	3
	opwarmen	stoven, sudderen	bakken, roosteren, koken

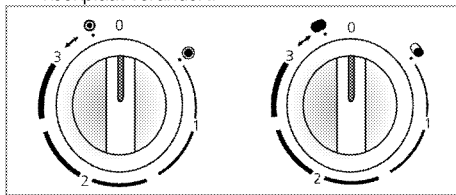
De keramische kookplaten uitschakelen

Draai de kookplaatknop naar de uit-positie (boven).

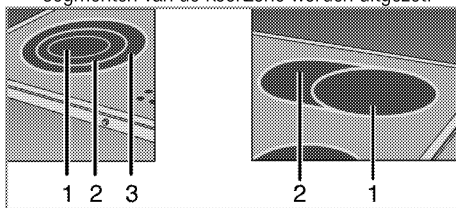
Kookzones met meerdere segmenten gebruiken

Kookzones met meerdere segmenten staan u toe met pannen van verschillende formaten te koken op dezelfde kookzone. Als deze kookzones worden ingeschakeld, gaat eerst de binnenste kookzone aan.

1. Om de diameter van de actieve kookzone te wijzigen, draait u de bedieningsknop in de richting van de klok.
2. U hoort een "klik" zodra de straal van de kookplaat verandert.

**Kookzones met meerdere segmenten uitschakelen**

1. Draai de knop tegen de klok in de uit-positie (boven) om het fornuis uit te zetten. Alle segmenten van de kookzone worden uitgezet.



- 1 Positie 1
- 2 Positie 2
- 3 Positie 3



Positie 2 en 3 van de kookzones met meerdere segmenten kunnen niet apart worden bediend.

6 Onderhoud en verzorging

Algemene informatie

De levensduur van het product zal worden verlengd en er zullen minder vaak problemen zijn als het product regelmatig wordt gereinigd.

**GEVAAR:**

Sluit het product van de stroom af voor te beginnen met onderhouds- en reinigingswerk. Er is kans op elektrische schokken!

**GEVAAR:**

Laat het product afkoelen voordat u het reinigt. Hete oppervlakken kunnen brandwonden veroorzaken!

- Reinig het product grondig na ieder gebruik. Zo kunt u kookresten gemakkelijker verwijderen, en voorkomt u dat ze verbranden als u het apparaat de volgende keer gebruikt.
- Er zijn geen speciale reinigingsmiddelen vereist om het product te reinigen. Gebruik warm water met wasvloeistof, een zachte doek of spons voor het reinigen van het product en een droge doek om het te drogen.
- Zorg er steeds voor dat overvloedige vloeistoffen worden afgeveegd na de reiniging en dat gemorste vloeistoffen steeds meteen worden afgeveegd.
- Gebruik voor het reinigen van roestvrijstalen oppervlakken en de handgreep geen reinigingsmiddelen die zuur of chloride bevatten. Gebruik een zachte doek met een vloeibaar detergent (niet-schurend) om deze onderdelen schoon te vegen, en let erop dat u in één richting veegt.



Het oppervlak kan beschadigd geraken door sommige detergents of reinigingsmaterialen. Gebruik geen agressieve detergents, reinigingspoeder/melk of scherpe voorwerpen tijdens het reinigen.



Gebruik geen stoomreinigers om het toestel schoon te maken, want dat kan elektrische schokken veroorzaken.

Reiniging van de kookplaat

Glazen keramische oppervlakken

Veeg over het glazen keramische oppervlak met een koude vochtige doek om te voorkomen dat er reinigingsmiddel achterblijft. Droog af met een zachte en droge doek. Resten kunnen het glazen keramische oppervlak beschadigen bij het volgende gebruik van de kookplaat.

Gedroogde restjes mogen nooit van het glazen keramische oppervlak worden gekrast met gebogen messen, staalwol of gelijkaardige gereedschappen. Verwijder calciumvlekken (gele vlekken) met een kleine hoeveelheid ontkalker zoals azijn of citroensap. U kunt ook geschikte commercieel beschikbare producten gebruiken.

Breng het reinigingsmiddel aan op een spons en wacht tot het goed ingetrokken is als het oppervlak erg vervuild is. Reinig daarna het oppervlak van de kookplaat met een vochtige doek.



Voedingswaren op basis van suiker, zoals volle room en siroop moeten meteen worden gereinigd zonder te wachten tot het oppervlak is afgekoeld. Anders kan het glazen keramische oppervlak permanent worden beschadigd.

Na verloop van tijd kan de kleur van de deklaag of andere oppervlakken licht vervagen. Dit heeft geen effect op de werking van het product.

Vervaging van de kleur en vlekken op het glazen keramische oppervlak zijn normaal en dus geen defect.

7 Problemen oplossen

Als de oven verwarmt en koelt geeft deze metaalachtige geluiden.

- Wanneer de metalen onderdelen worden verwarmd, kunnen deze uitzetten en geluid veroorzaken. >>>
Dit is geen fout.

Het product werkt niet.

- De hoofdzekering is defect of doorgeslagen. >>> *Controleer zekeringen in de zekeringenkast. Vervang of reset deze indien nodig.*
- De stekker van het product zit niet in het (geaarde) stopcontact. >>> *Controleer de plugkoppeling.*

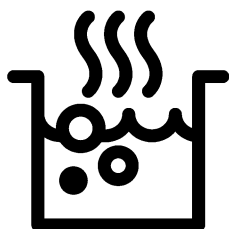


Raadpleeg de bevoegde serviceagent of de dealer waarbij u het product hebt gekocht als u, ondanks het doorvoeren van de aanwijzingen in dit gedeelte, het probleem niet kunt oplossen. Probeer nooit om een product met gebreken zelf te repareren.



Table de cuisson encastrable

Manuel de l'utilisateur



FR

Avant de commencer, merci de bien vouloir lire ce manuel d'utilisation !

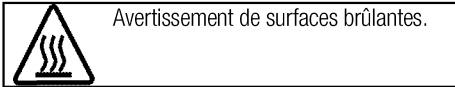
Chère cliente, cher client,

Nous vous remercions d'avoir porté votre choix sur un produit Beko. Nous espérons que vous tirerez le meilleur parti de votre produit, qui a été fabriqué dans des usines de pointe avec des matériaux de qualité. C'est pourquoi nous vous prions de lire attentivement le présent manuel et tous les autres documents connexes dans leur intégralité avant d'utiliser le produit et de les conserver. Si vous cédez l'appareil à une tierce personne, n'oubliez pas de lui fournir le Manuel d'utilisation. Respectez tous les avertissements et informations contenus dans le manuel d'utilisation.

Souvenez-vous que ce Manuel d'utilisation s'applique également à plusieurs autres modèles. Les différences entre les modèles seront identifiées dans le manuel.

Explication des symboles

Vous trouverez les symboles suivants dans ce Manuel d'utilisation :



Arçelik A.Ş.
Karaağaç caddesi No:2-6
34445 Sütlüce/Istanbul/TURKEY
Made in TURKEY

1 Instructions importantes et mises en garde relatives à la sécurité et à l'environnement 4

Sécurité générale..... 4
 Sécurité électrique..... 4
 Sécurité du produit 5
 Utilisation prévue 7
 Sécurité des enfants 7
 Mise au rebut de l'ancien appareil 7
 Elimination des emballages 7
 Déplacement ultérieur 8

2 Généralités 9

Vue d'ensemble..... 9
 Caractéristiques techniques..... 9

3 Installation 11

Avant l'installation..... 11
 Installation et branchement..... 13

4 Préparation 16

Conseils pour faire des économies d'énergie 16
 Première utilisation..... 16
 Premier nettoyage de l'appareil..... 16

5 Utilisation de la table de cuisson 17

Généralités concernant la cuisson 17
 Utilisation des tables de cuisson..... 18

6 Maintenance et entretien 20

Généralités 20
 Nettoyage de la table de cuisson..... 20

7 Recherche et résolution des pannes 21

1 Instructions importantes et mises en garde relatives à la sécurité et à l'environnement

Ce chapitre contient les instructions de sécurité qui vous aideront à éviter les risques de blessure corporelle ou de dégâts matériels. Le non respect de ces instructions entraînera l'annulation de toute garantie.

Sécurité générale

- Cet appareil peut être utilisé par des enfants de 8 ans et plus et des personnes aux capacités physiques, sensorielles ou mentales réduites ou des personnes dénuées d'expérience ou de connaissance si elles ont pu bénéficier d'une surveillance ou d'instructions concernant l'utilisation de l'appareil en toute sécurité et comprennent les risques encourus.

Les enfants ne doivent pas jouer avec l'appareil. Le nettoyage et l'entretien ne doivent pas être effectués par un enfant sans surveillance.

- Cet appareil n'est pas conçu pour être utilisé par des personnes (y compris les enfants) présentant des aptitudes physiques, sensorielles et mentales réduites, ou sans expérience et sans connaissances, à moins d'avoir été encadrées ou reçu des consignes d'utilisation.

Les enfants bénéficiant d'un encadrement ne doivent pas jouer avec l'appareil.

- Si l'appareil est confié à une autre personne pour usage personnel ou vendu en seconde main, assurez-vous qu'il est toujours accompagné du manuel d'utilisation, des étiquettes, de tout autre document pertinent et des pièces.
- Les procédures d'installation et de réparation doivent être effectuées par des agents d'entretien qualifiés. Le fabricant ne sera pas responsable des dommages causés à la suite d'une utilisation faite par des personnes non qualifiées, situation susceptible d'annuler aussi la garantie. Avant l'installation, lisez attentivement les instructions.
- Ne faites pas fonctionner l'appareil s'il est défectueux ou présente des dégâts visibles.
- Assurez-vous que les boutons de fonctionnement de l'appareil sont en position d'arrêt après chaque utilisation.

Sécurité électrique

- Si le produit est en panne, ne l'utilisez pas, à moins qu'il ne soit réparé par un Agent d'entretien

agr  . Vous risqueriez un choc   lectrique !

- Branchez l'appareil uniquement    une sortie/ligne avec mise    la terre ainsi que la tension et la protection sp  cifi  es dans le chapitre « Sp  cifications techniques ». Faites installer la mise    la terre par un   lectricien qualifi   lorsque vous utilisez l'appareil avec ou sans transformateur. Notre entreprise d  cline sa responsabilit   par rapport    tout probl  me cons  cutif    la non mise    la terre de l'appareil suivant la r  glementation locale en vigueur.
- Ne lavez jamais l'appareil en y versant de l'eau. Vous risqueriez un choc   lectrique !
- D  branchez l'appareil pendant les op  rations d'installation, d'entretien, de nettoyage et de r  paration.
- Si le cordon d'alimentation est endommag  , il doit   tre remplac   par le fabricant, l'un de ses techniciens ou une personne de qualification similaire afin d'  viter tout risque.
- Installez l'appareil de sorte que l'on puisse le d  connecter compl  tement du r  seau. La s  paration doit   tre effectu  e par une prise secteur ou un commutateur int  gr      l'installation   lectrique

fixe, suivant la r  glementation en mati  re de construction.

- Toutes les op  rations sur des   quipements et des syst  mes   lectriques ne peuvent   tre r  alis  es que par des personnes habilit  es et qualifi  es.
- En cas de d  g  ts,   teignez l'appareil et d  branchez-le du secteur. Pour ce faire, coupez le fusible domestique.
- V  rifiez que la tension du fusible est compatible avec l'appareil.

S  curit   du produit

- **AVERTISSEMENT** : Les parties accessibles de l'appareil deviennent chaudes au cours de son utilisation. Des mesures doivent   tre prises pour   viter de toucher aux   l  ments de chauffage. Les enfants de moins de 8 ans doivent   tre maintenus    l'  cart, sauf s'ils sont continuellement surveill  s.
- Ne jamais utiliser l'appareil sous l'emprise de l'alcool ou de toute autre drogue.
- Prenez garde lorsque vous utilisez des boissons alcoolis  es dans vos plats. L'alcool s'  vapore    temp  ratures   lev  es et peut provoquer un incendie   tant donn   qu'il peut s'enflammer lorsqu'il entre en contact avec des surfaces chaudes.

- Assurez-vous qu'aucune substance inflammable ne soit placée à proximité de l'appareil étant donné que les côtés peuvent chauffer pendant son utilisation.
 - Évitez d'obstruer les éventuelles sorties d'aération.
 - N'utilisez pas de nettoyeurs à vapeur pour le nettoyage de l'appareil, car ceux-ci présentent un risque d'électrocution.
 - **AVERTISSEMENT** : Le fait de cuire les aliments contenant de l'huile ou des matières grasses sur une table de cuisson sans surveillance peut s'avérer dangereux, au point de provoquer un incendie. N'essayez JAMAIS d'éteindre le feu avec de l'eau. Coupez plutôt l'alimentation de l'appareil, puis couvrez la flamme avec un couvercle ou une couverture pare-flammes.
 - **ATTENTION** : Le processus de cuisson doit être encadré. Les processus de cuisson de courte durée doivent être continuellement encadrés.
 - **AVERTISSEMENT** : Danger d'incendie : ne rien conserver sur les surfaces de cuisson.
 - **AVERTISSEMENT** : En cas de fissure au niveau de la surface, mettre l'appareil hors tension pour être à l'abri d'une éventuelle électrocution.
 - En cas de bris du verre de la plaque de cuisson : Éteignez immédiatement tous les brûleurs et les éventuels éléments chauffants électriques, et débranchez l'appareil de l'alimentation électrique. Évitez de toucher la surface de l'appareil. N'utilisez pas l'appareil.
 - L'appareil n'est pas prévu pour fonctionner avec une minuterie externe ou un système de télécommande distinct.
 - La pression de vapeur qui s'accumule à cause de l'humidité à la surface de la table de cuisson ou sur le bas de la casserole peut déplacer cette dernière. C'est pourquoi, assurez-vous que la surface du four et le bas des casseroles sont toujours secs.
 - **AVERTISSEMENT** : Utilisez uniquement les dispositifs protecteurs conçus par le fabricant des appareils de cuisson, ou ceux indiqués par ce dernier comme adéquats, dans le manuel d'utilisation, ou encore des dispositifs protecteurs fournis avec l'appareil. L'utilisation des dispositifs protecteurs inappropriés peut causer des accidents.
- Pour que votre appareil soit fiable:
- veillez à ce que la fiche soit bien branchée dans la prise afin que

des étincelles ne se produisent pas.

- Utilisez uniquement les câbles de rallonge d'origine, et veillez à ce qu'ils ne soient pas coupés ou autrement endommagés.
- Assurez-vous également que la prise ne contient pas de liquide ni de moisissure avant de brancher l'appareil.

Utilisation prévue

- Cet appareil est conçu pour un usage domestique. L'utilisation commerciale est interdite.
- ATTENTION : Cet appareil sert uniquement à des fins de cuisson. Il ne doit pas être utilisé à d'autres fins, par exemple le chauffage du local.
- Le fabricant ne saurait être tenu responsable des dégâts causés par une utilisation ou une manipulation incorrecte.
- Les pièces détachées d'origine sont disponibles pendant 10 ans, à compter de la date d'achat du produit .

Sécurité des enfants

- ATTENTION : Les parties accessibles peuvent s'échauffer pendant l'utilisation. Les enfants doivent être tenus à l'écart.
- Les matériaux d'emballage peuvent présenter un danger pour les enfants. Gardez les matériaux d'emballage hors de portée des

enfants. Veuillez jeter les pièces de l'emballage en respectant les normes écologiques.

- Les appareils électriques sont dangereux pour les enfants. Tenez les enfants à l'écart de l'appareil lorsqu'il fonctionne et interdisez-leur de jouer avec.
- Ne rangez pas d'objets au dessus de l'appareil que les enfants pourraient atteindre.

Mise au rebut de l'ancien appareil

Conformité avec la directive DEEE et mise au rebut des déchets :



Ce produit est conforme à la directive DEEE (2012/19/UE) de l'Union européenne). Ce produit porte un symbole de classification pour la mise au rebut des équipements électriques et électroniques (DEEE). Le présent produit a été fabriqué avec des pièces et du matériel de qualité supérieure susceptibles d'être réutilisés et adaptés au recyclage. Par conséquent, nous vous conseillons de ne pas le mettre au rebut avec les ordures ménagères et d'autres déchets à la fin de sa durée de vie. Au contraire, rendez-vous dans un point de collecte pour le recyclage de tout matériel électrique et électronique. Veuillez vous rapprocher des autorités de votre localité pour plus d'informations concernant le point de collecte le plus proche.

Conformité avec la directive LdSD :

L'appareil que vous avez acheté est conforme à la directive LdSD (2011/65/UE) de l'Union européenne. Il ne comporte pas les matériaux dangereux et interdits mentionnés dans la directive.

Élimination des emballages

- Les emballages sont dangereux pour les enfants. Conservez les emballages en lieu sûr à l'écart des enfants. Les emballages de l'appareil sont fabriqués à partir de matériaux recyclés. Éliminez-les de manière appropriée et triez-les en fonction des instructions de recyclage des déchets. Ne les jetez pas avec les déchets domestiques normaux.

Déplacement ultérieur

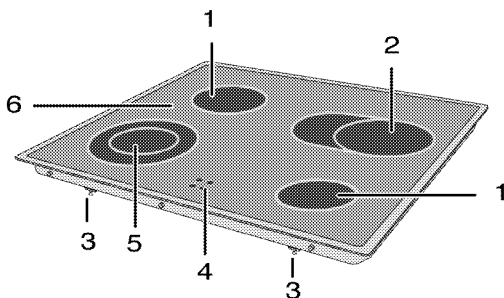
- Conservez le carton d'origine de l'appareil et utilisez-le pour déplacer le produit. Suivez les instructions figurant sur le carton. Si vous n'avez plus le carton original, emballez l'appareil dans du film à bulles ou du carton épais avec du ruban adhésif pour maintenir le tout.



Inspectez l'aspect général de l'appareil pour déceler les dégâts potentiellement dus au transport.

2 Généralités

Vue d'ensemble



- | | | | |
|---|--------------------------------|---|------------------------------------|
| 1 | Verre trempé | 4 | Témoin de table de cuisson chaude |
| 2 | Bride de montage | 5 | Plaque de cuisson |
| 3 | Extension de plaque de cuisson | 6 | Plaque de cuisson à circuit double |

Caractéristiques techniques

Tension/fréquence	220-240 V ~ 50 Hz
Consommation d'énergie totale	6.5 kW
Type de câble/section	min.H05RR-F 4.0 mm ² (220-240 V) / 2.5 mm ² (380-415 V)
Dimensions extérieures (hauteur/longueur/profondeur)	55 mm/580 mm/510 mm
Dimensions d'installation (longueur/profondeur)	560 mm/490 mm
Brûleurs	
Arrière gauche	Plaque de cuisson
Dimension	140 mm
Puissance	1200 W
Avant gauche	Plaque de cuisson à circuit double
Dimension	120/180 mm
Puissance	700/1700 W
Avant droit	Plaque de cuisson
Dimension	140 mm
Puissance	1200 W
Arrière droit	Extension de plaque de cuisson
Dimension	170/265mm
Puissance	1500/2400 W



Les caractéristiques techniques peuvent changer sans avis préalable afin d'améliorer la qualité de l'appareil.



Les illustrations comprises dans ce manuel sont schématiques et peuvent ne pas correspondre exactement à l'appareil.



Les valeurs mentionnées sur les étiquettes de l'appareil ou dans la documentation qui l'accompagnent sont obtenues dans des conditions de laboratoire conformément aux normes correspondantes. En fonction des conditions de fonctionnement et de l'environnement de l'appareil, ces valeurs peuvent varier.

Combinaison Table de cuisson/Four

	EH 9641 XHN			
EH 9640 XO	X	-	-	-
EH 9645 XO	X	-	-	-
-	-	-	-	-
-	-	-	-	-
-	-	-	-	-
-	-	-	-	-
-	-	-	-	-
-	-	-	-	-
-	-	-	-	-

** Les plaques chauffantes à double cercle et à cercle étendu ne peuvent pas être utilisées en combinaison avec les modèles signalés.

3 Installation

Le produit doit être installé par une personne qualifiée conformément à la réglementation en vigueur. Dans le cas contraire, la garantie n'est pas valable. Le fabricant se sera pas tenu pour responsable des dégâts consécutifs à des procédures réalisées par des personnes non autorisées et pourra annuler la garantie dans ce cas.



La préparation de l'emplacement et l'installation de l'électricité pour l'appareil sont sous la responsabilité du client.



DANGER:

Installez l'appareil conformément aux réglementations en matière de gaz et d'électricité en vigueur dans votre localité.



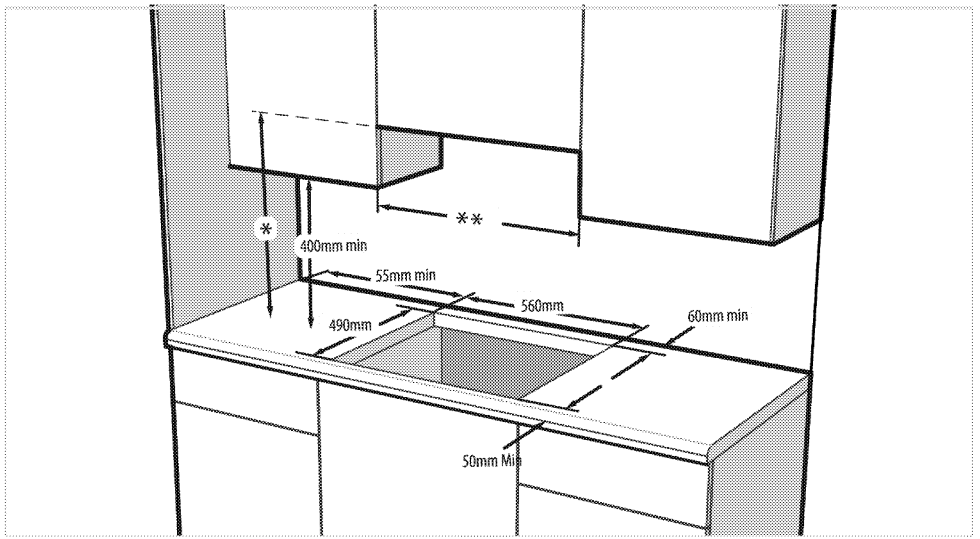
DANGER:

Avant l'installation, regardez si l'appareil présente des défauts. Si tel est le cas, ne le faites pas installer.
Les appareils endommagés présentent des risques pour votre sécurité.

Avant l'installation

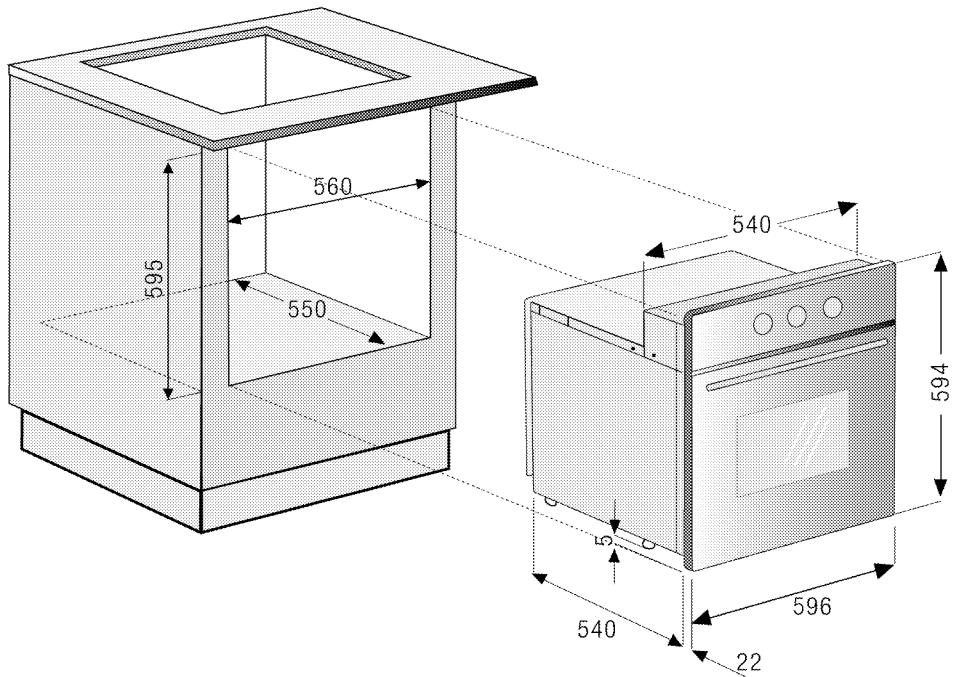
Les appareils sont destinés à être installés dans les meubles de cuisines disponibles dans le commerce. Une distance de sécurité doit être laissée entre l'appareil et les parois de la cuisine et des meubles. Voir le schéma (valeurs en mm).

- Il peut aussi être utilisé en position debout, de manière autonome. Laissez une distance minimum de 750 mm au-dessus de la surface de la table de cuisson.
- (*) S'il faut encastrier une hotte au-dessus de la cuisinière, reportez-vous aux consignes du fabricant de la hotte concernant la hauteur d'installation (Min 650 mm)..
- Retirez les matériaux d'emballage et les sécurités de transport.
- Les surfaces, les feuilles laminées synthétiques et les adhésifs doivent résister à la chaleur (jusqu'à 100 °C min.).
- L'alimentation de la table de cuisson est fournie par le four. Les deux appareils doivent être installés l'un au-dessus de l'autre.
- Découpez une ouverture pour la table de cuisson dans le plan de travail en fonction des dimensions d'installation.
- Posez des joints d'étanchéité sur les bords découpés et les rebords.
- Le plan de travail et les meubles de cuisine doivent être stables et fixés.
- La table de cuisson peut être installée avec **un** rebord accolée à des meubles, appareils ou murs plus hauts.
- Il doit y avoir un peu d'espace libre entre la paroi arrière du four et le mur de la cuisine pour laisser l'air circuler.
- S'il y a un tiroir sous le four, une étagère doit être installée entre ce four et le tiroir.



* Hauteur minimale pour l'extracteur telle que recommandée dans le manuel d'instructions de l'extracteur

** La distance minimale entre le meuble doit être égale à la largeur de la table de cuisson.



Installation et branchement

- Installez l'appareil conformément à toutes les réglementations en matière de gaz et d'électricité en vigueur.



N'installez pas la table de cuisson à des endroits avec rebords et coins tranchants. Cela peut briser la surface vitrocéramique !

Raccordement électrique

Branchez l'appareil à une prise mise à la terre protégée par un disjoncteur miniature de capacité suffisante tel qu'indiqué dans le tableau « Caractéristiques techniques ». Faites installer la mise à la terre par un électricien qualifié lors de l'utilisation de l'appareil avec ou sans transformateur. Notre société ne sera pas tenue pour responsable des dégâts résultant de l'utilisation de l'appareil sans une installation de mise à la terre conforme aux réglementations locales en vigueur.



DANGER:

L'appareil doit uniquement être raccordé à l'alimentation électrique par une personne autorisée et qualifiée. La période de garantie de l'appareil démarre uniquement après son installation correcte.

Le fabricant se sera pas tenu pour responsable des dégâts consécutifs à des procédures réalisées par des personnes non autorisées.



DANGER:

Le câble d'alimentation ne doit pas être serré, plié ou pincé ou entrer en contact avec des pièces chaudes de l'appareil.

Un câble d'alimentation endommagé doit être remplacé par un électricien qualifié. Dans le cas contraire, il présente un risque d'électrocution, de court-circuit ou d'incendie !

- La connexion doit être conforme aux réglementations nationales en vigueur.
- Les valeurs de l'alimentation électrique doivent correspondre aux valeurs figurant sur la plaque signalétique de l'appareil. La plaque signalétique est à l'arrière du produit.
- Le câble d'alimentation de l'appareil doit être conforme aux valeurs du tableau "Caractéristiques techniques".

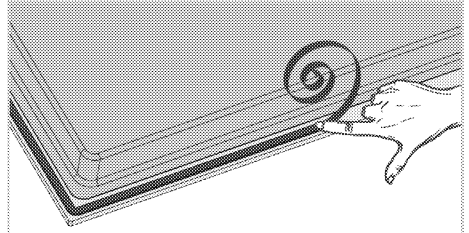


DANGER:

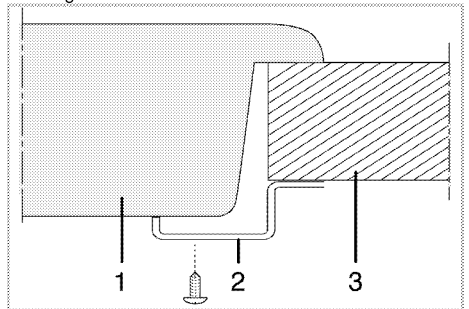
Avant d'effectuer tout travail sur l'installation électrique, l'appareil doit être débranché du réseau d'alimentation électrique. Vous risqueriez un choc électrique !

Installation des produits

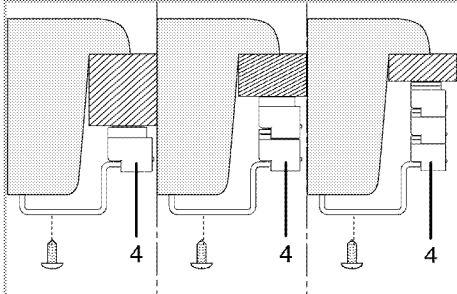
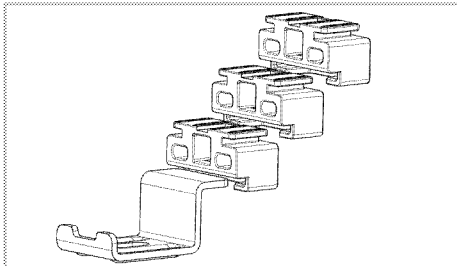
1. Retournez la table de cuisson et placez-la sur une surface plane.
2. Lors de l'installation de la table de cuisson, appliquez le joint d'étanchéité fourni dans l'emballage autour de la table de cuisson comme présenté dans l'illustration suivante, en s'assurant qu'il reste 1 à 2 mm à l'intérieur du bord extérieur du verre.



3. Placez la table de cuisson sur le plan de travail et alignez-la.

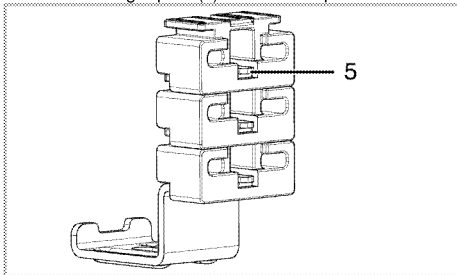


- 1 Table de cuisson
- 2 Colliers de serrage de l'installation
- 3 Plan de travail
5. Si l'épaisseur du compteur est trop fine pour le fixer à l'aide d'une attache, faites-le avec des pièces supplémentaires. Ajoutez les pièces pour le serrer en respectant la hauteur de votre compteur comme indiqué ci-dessous



4 pièces supplémentaires

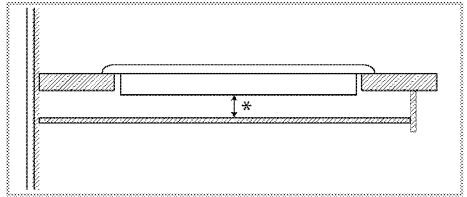
6. Pour séparer les différentes pièces, vous devez relever la goupille (5) et retirer la pièce désirée.



5 Goupille

i Quand vous installez la table de cuisson sur un meuble encastré, vous devez mettre une planche pour séparer le meuble de la table de cuisson, comme illustré dans la figure suivante. Cela n'est pas nécessaire quand vous installez un four encastré.

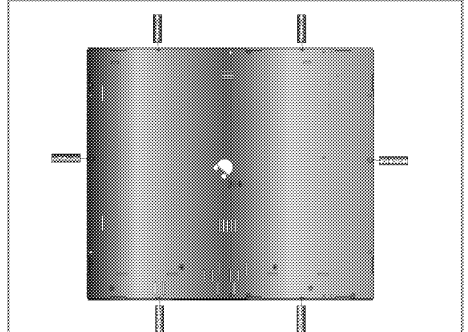
Par exemple, s'il est possible de toucher le bas du produit car il est installé sur un tiroir, cette partie doit être couverte par une plaque en bois.



* min. 15 mm

Vue de derrière (orifices de raccord)

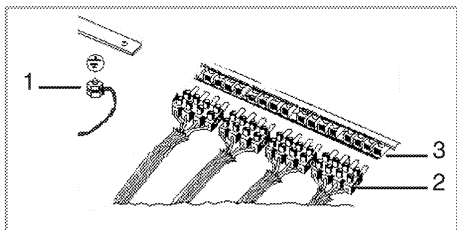
i L'emplacement des orifices de raccord montrés dans la figure ci-dessous sont indicatifs et peuvent varier selon le modèle du produit. Fixez-les en fonction des orifices de raccord sur votre produit.



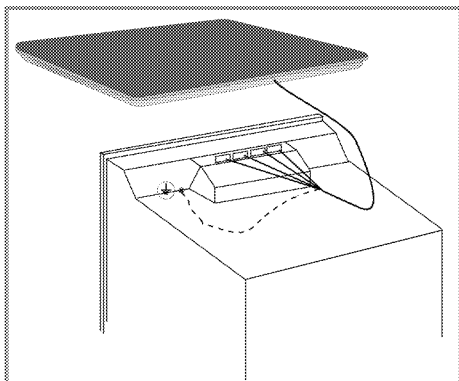
! DANGER:
La réalisation des raccords dans d'autres orifices n'est pas une pratique recommandée en termes de sécurité, car cela pourrait endommager le circuit de gaz ou le circuit électrique.

! DANGER:
La hotte comporte des éléments fonctionnant à l'électricité et au gaz. À cet effet, il convient de la fixer au plan de travail uniquement par les orifices de fixation, en utilisant seulement les éléments et vis de fixation fournis, et en suivant les instructions du manuel. Au cas contraire, la procédure présenterait des risques pour la sécurité des biens et des personnes.

- Fixez la table de cuisson.
- Effectuez les branchements du four.
- Glissez le four dans son emplacement à mi-chemin.
- Branchez la table de cuisson sur le four.



- 1 Raccordez les bornes à la terre
- 2 Connecteur de la table de cuisson
- 3 Bornier du four



Faites coulisser le four dans le meuble, alignez-le et fixez-le en vous assurant que le câble d'alimentation n'est pas rompu et/ou coincé.

Vérification finale

1. Mise en marche de l'appareil.
2. Vérifiez les fonctions.

4 Préparation

Conseils pour faire des économies d'énergie

Les conseils suivants vous permettront d'utiliser votre appareil de façon écologique et d'économiser ainsi de l'énergie :

- Décongelez les plats surgelés avant de les cuire.
- Utilisez des récipients munis de couvercles. Sans couvercle, la consommation d'énergie peut être 4 fois plus importante.
- Sélectionnez le brûleur le mieux adapté à la taille du bas de la casserole utilisée. Sélectionnez toujours la casserole à la taille la plus appropriée pour vos plats. Les grandes casseroles nécessitent davantage d'énergie.
- Veillez à utiliser des casseroles à fond plat pour la cuisson sur une table de cuisson électrique. Les casseroles avec un fond épais offrent une meilleure conduction de la chaleur. Vous pouvez économiser jusqu'à 1/3 de l'énergie.
- Les récipients et casseroles doivent être compatibles avec les zones de cuisson. Le fond des ré-

cipients ou des casseroles ne doit pas être plus petit que la plaque chauffante.

- Veillez à ce que les zones de cuisson et le fond des casseroles soient toujours propres. La saleté réduit la conduction de la chaleur entre la zone de cuisson et le fond de la casserole.
- Pour les cuissons longues, éteignez la zone de cuisson 5 à 10 minutes avant la fin du temps de cuisson. Vous pouvez ainsi économiser jusqu'à 20 % d'énergie en utilisant la chaleur résiduelle.

Première utilisation

Premier nettoyage de l'appareil



La surface pourrait être endommagée par certains détergents ou produits de nettoyage. N'utilisez pas de détergents agressifs, de poudre/crèmes de nettoyage ou d'objets tranchants pour le nettoyage.

1. Retirez tous les matériaux d'emballage.
2. Essuyez les surfaces de l'appareil à l'aide d'un chiffon humide ou d'une éponge et terminez avec un chiffon sec.

5 Utilisation de la table de cuisson

Généralités concernant la cuisson



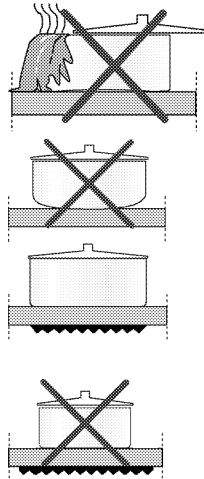
Ne remplissez jamais la poêle à plus d'un tiers. Ne laissez pas la table de cuisson sans surveillance lorsque vous chauffez de l'huile. Une huile surchauffée expose au risque d'incendie. **Ne tentez jamais d'éteindre un éventuel incendie avec de l'eau !** Lorsque l'huile s'enflamme, couvrez-la avec une couverture pare-flammes ou un chiffon humide. Éteignez la table de cuisson si cela ne pose aucun risque et appelez les sapeurs-pompiers.

- Avant de faire frire des aliments, séchez-les toujours avant de les tremper dans l'huile chaude. Assurez-vous que les aliments surgelés soient bien décongelés avant de les faire frire.
- Ne couvrez pas le récipient lorsque vous faites chauffer de l'huile.
- Disposez les poêles et casseroles de manière à ce que leur poignée ne se trouve pas au-dessus de la table de cuisson afin d'éviter de faire chauffer les poignées. Ne placez pas de récipients instables et pouvant se renverser facilement sur la table de cuisson.
- Ne placez pas de récipients et de casseroles vides sur les foyers qui sont allumés. Ils pourraient être endommagés.
- Faire chauffer un foyer en l'absence d'un récipient ou d'une casserole peut entraîner des dommages pour l'appareil. Arrêtez les foyers de cuisson une fois la cuisson terminée.
- La surface de l'appareil peut être brûlante, évitez donc de poser des récipients en plastique ou en aluminium dessus.
Nettoyez immédiatement tout matériau de ce type ayant fondu sur la surface de l'appareil. Évitez également d'utiliser ce type de récipients pour y conserver de la nourriture.
- N'utilisez que des casseroles à fond plat.
- Placez la quantité de nourriture appropriée dans les casseroles utilisées. Ainsi, vous n'aurez pas à effectuer un nettoyage superflu en évitant que vos plats ne débordent.
Ne posez pas les couvercles de vos poêles et casseroles sur les foyers de cuisson.

Placez les casseroles de manière à ce qu'elles soient centrées sur le foyer de cuisson. Lorsque vous voulez déplacer la casserole sur un autre foyer de cuisson, soulevez-la et placez-la sur le foyer de cuisson souhaité au lieu de la faire glisser.

Conseils concernant les plaques vitrocéramiques

- La surface vitrocéramique est à l'épreuve de la chaleur et n'est pas soumise aux différences de températures importantes.
- N'utilisez pas la surface vitrocéramique comme lieu de rangement ou comme planche à découper.
- N'utilisez que des poêles et casseroles avec un fond usiné. Les bords tranchants peuvent rayer la surface.
- N'utilisez pas de récipients et casseroles en aluminium. L'aluminium endommage la surface vitrocéramique.

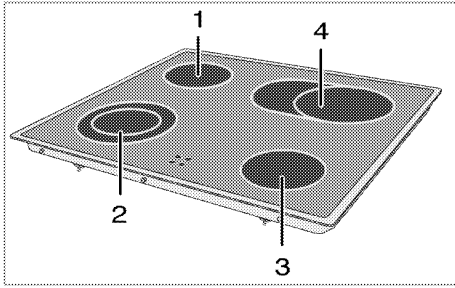


Les débordements peuvent endommager la surface vitrocéramique et entraîner un risque d'incendie.

N'utilisez pas de récipients avec un fond creux ou incurvé.

N'utilisez que des poêles et casseroles avec un fond plat. Elles assurent un meilleur transfert de chaleur. Si le diamètre de la casserole est trop petit, vous gaspillerez de l'énergie.

Utilisation des tables de cuisson



- 1 Plaque de cuisson 14-16 cm
- 2 Plaque de cuisson à circuit double 12-14/18-20 cm
- 3 Plaque de cuisson 14-16 cm
- 4 Extension de plaque de cuisson 17-19/26-28 cm (Les dimensions indiquées représentent les diamètres recommandés de poêles et casseroles à utiliser.)



DANGER:

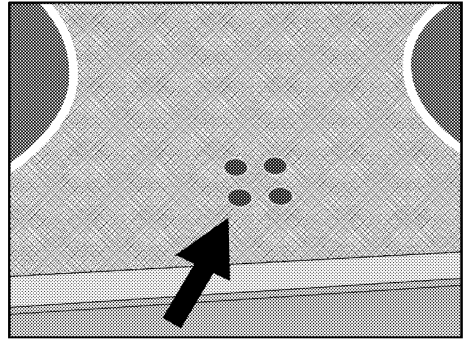
Évitez de laisser tomber un objet sur la table de cuisson. Même de petits objets comme la salière peuvent endommager la table de cuisson.
Évitez d'utiliser des tables de cuisson fissurées. De l'eau peut s'y infiltrer et provoquer un court-circuit.
Si la surface est endommagée d'une manière quelconque (fissures visibles par exemple), éteignez immédiatement l'appareil pour réduire les risques d'électrocution.

La table vitrocéramique est dotée d'un témoin de fonctionnement et d'un voyant d'avertissement de chaleur résiduelle.

Le voyant d'avertissement de chaleur résiduelle indique l'emplacement de la plaque chauffante active et reste allumé après extinction de la plaque chauffante. Lorsque la température de la zone de cuisson baisse à un niveau tel que l'on peut y poser la main, le voyant d'avertissement s'éteint. Le clignotement du voyant d'avertissement de chaleur résiduelle n'est pas une défaillance.



Les tables vitrocéramiques à chauffage rapide émettent une lumière vive lorsqu'elles sont allumées. Ne fixez pas la lumière vive.



Allumage des plaques en céramique

Les manettes de commande de la table de cuisson sont utilisées pour contrôler les plaques. Pour obtenir la puissance de cuisson désirée, tournez la manette de commande sur le niveau correspondant.

Niveau de cuisson	1	2 — 3	4 — 6
	réchauffer	mijoter, mitonner	cuire, rôtir, bouillir

Niveau de cuisson	1	2	3
	réchauffer	mijoter, mitonner	cuire, rôtir, bouillir

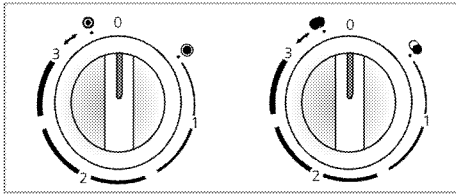
Extinction des plaques en céramique

Tournez le bouton de la plaque sur OFF (indicateur vers le haut)

Utilisation des foyers extensibles

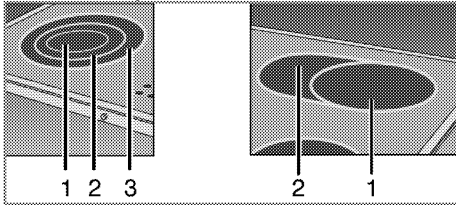
Les foyers extensibles permettent de faire chauffer des casseroles de tailles différentes sur le même foyer. Lorsque ces foyers sont activés, le plus petit cercle du foyer s'allume.

1. Pour changer le diamètre du foyer, tournez le bouton de contrôle dans le sens horaire.
2. Un "clac" retentit dès que le rayon de la plaque chauffante change.



Arrêt des foyers extensibles

1. Tournez le bouton dans le sens anti-horaire sur OFF (indicateur vers le haut) pour arrêter le four.
Tous les foyers de la zone de cuisson sont arrêtés.



- 1 Position 1
- 2 Position 2
- 3 Position 3



Les positions 2 et 3 des foyers extensibles ne fonctionnent pas de façon indépendante.

6 Maintenance et entretien

Généralités

Un nettoyage régulier de l'appareil en rallongera la durée de vie et diminuera l'apparition de problèmes.



DANGER:

Débranchez l'appareil de la prise d'alimentation avant de commencer le nettoyage et l'entretien.

Vous risqueriez un choc électrique !



DANGER:

Laissez l'appareil refroidir avant de le nettoyer. Les surfaces chaudes peuvent brûler !

- Nettoyez l'appareil après chaque utilisation. Il vous sera ainsi possible d'ôter plus facilement les résidus de nourriture éventuels, évitant ainsi qu'ils ne brûlent lors de l'utilisation suivante.
- Aucun produit nettoyant particulier n'est nécessaire pour nettoyer l'appareil. Utilisez de l'eau tiède avec du détergent, un chiffon doux ou une éponge pour nettoyer l'appareil et essuyez-le à l'aide d'un chiffon sec.
- Veillez toujours à bien essuyer les excès de liquide après le nettoyage et essuyez immédiatement tout déversement.
- N'utilisez pas de détergents contenant de l'acide ou du chlore pour nettoyer les surfaces en acier inoxydable et la poignée. Utilisez un chiffon doux avec un détergent liquide non abrasif pour nettoyer ces parties, en prenant soin de toujours frotter dans le même sens.



La surface pourrait être endommagée par certains détergents ou produits de nettoyage.

N'utilisez pas de détergents agressifs, de poudre/crèmes de nettoyage ou d'objets tranchants pour le nettoyage.



N'utilisez pas de nettoyeurs à vapeur pour le nettoyage de l'appareil, car ceux-ci présentent un risque d'électrocution.

Nettoyage de la table de cuisson

Surfaces vitrocéramiques

Essuyez la surface vitrocéramique à l'aide d'un chiffon humidifié à l'eau froide pour ne pas laisser de traces du produit de nettoyage. Séchez à l'aide d'un chiffon doux et sec. Les résidus peuvent endommager la surface vitrocéramique lors de l'utilisation suivante de la table de cuisson.

Les résidus séchés sur la surface vitrocéramique ne doivent en aucun cas être grattés au moyen de lames à crochet, de laine d'acier ou d'outils similaires.

Éliminez les traces de calcaire (tâches jaunâtres) avec un détartrant comme le vinaigre ou le jus de citron.

Vous pouvez également utiliser les produits appropriés disponibles dans le commerce.

Si la surface est fortement souillée, appliquez le produit de nettoyage avec une éponge et attendez qu'il soit bien absorbé. Nettoyez ensuite la surface de la table de cuisson avec un chiffon humide.



Les aliments sucrés, crèmes épaisses et sirops par exemple, doivent être nettoyés rapidement avant que la surface ne refroidisse.

Dans le cas contraire, la surface vitrocéramique peut être endommagée de manière irréversible.

Avec le temps, une légère décoloration peut se produire sur les revêtements ou d'autres surfaces. Cela n'affecte en rien le fonctionnement du produit.

La surface vitrocéramique se décolore et se tâche dans des conditions normales d'utilisation, il ne s'agit pas d'un défaut.

7 Recherche et résolution des pannes

Le appareil émet des bruits métalliques lors des phases de chauffage et de refroidissement.

- Lorsque les pièces métalliques sont chauffées, elles peuvent se détendre et émettre ces bruits. >>> *Cela n'est pas un défaut.*

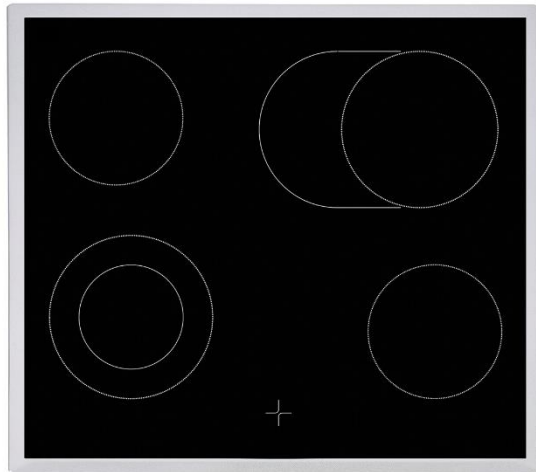
Le appareil ne fonctionne pas.

- Le fusible d'alimentation est défectueux ou grillé. >>> *Vérifiez les fusibles dans la boîte à fusibles. Remplacez ou réactivez-les le cas échéant.*
- L'appareil n'est pas relié à la prise de mise à la terre. >>> *Vérifiez le branchement de la prise.*



Consultez le technicien autorisé ou le revendeur qui vous a vendu l'appareil si vous ne parvenez pas à résoudre le problème après avoir suivi les instructions comprises dans ce chapitre. N'essayez jamais de réparer un appareil défectueux vous-même.

Herdgebundenes Kochfeld



EH 9641 XHN

EAN: 8690842320163

Notizen

- Glaskeramik-Kochfeld
- Herdgebunden, kombinierbar mit BBUM110N1X und BBUM113N1X
- 4 Kochzonen inkl. Bräter- und Zweikreiszone
- Edelstahlrahmen

Allgemein:

Typ: Herdgebundenes Glaskeramik-Kochfeld

Einbau-Gerät: Ja

Anzahl Kochzonen: 4

Zweikreis-Zone: Ja

Steuerung: via Herd

Betriebsanzeige: Nein

Digitale Anzeige der Kochstufe: Nein

Timer: Nein

Sicherheitsabschaltung (gegen zu langen Dauerbetrieb): Nein

Glas-Inlay: Ja

Farbe Kochfeld: Schwarz

Memory-Funktion: Nein

Slide&Cook: Nein

Stop&Go: Nein

Geeignet für flächenbündigen Einbau: Nein

Automatikprogramme: Nein

Rahmen: Edelstahlrahmen

Kochstufen je Zone: 3 bzw. 6

Bräterzone: Ja

Anschlusskabel: Nein

Restwärmeanzeige: Ja

Booster-Funktion Schnellaufheizung: Nein

Kindersicherung: Nein

Überlaufschutz: Nein

Reinigungsschaber: Nein

Farbe LED (Display): ---

Geeignet für Power-Splitter: Nein

FlexInduktion: Nein

EasyFit: Nein

Direct Access: Nein

Induktion: Nein

Herdgebundenes Kochfeld

Kochzonen:

Kochzonen Anzahl: 4
Vorne links: Ø 120 / 180 mm – 700 / 1700 W
Hinten links: Ø 140 mm – 1200 W
Vorne rechts: Ø 140 mm – 1200 W
Hinten rechts: 170 x 265 – 1500 / 2400 W
Mitte: ---

Technische Daten

Max. Stromstärke (A): 30	Anschlusswert (W): 6500
Frequenz (Hz): 50	Anschluss: via Herd
Spannung (V): 220 - 240	Kabellänge (cm): ---

Maße und Gewicht

Unverpackt

Höhe (mm): 55	Breite (mm): 580
Tiefe (mm): 510	Gewicht (kg): 7,94

Verpackt

Höhe (mm): 125	Breite (mm): 655
Tiefe (mm): 555	Gewicht (kg): 8,8

Einbau

Nischenmaß (BxT in mm): 560 x 490

Bedienungsanleitung(*)		
Informationen zu Elektrokochfeldern für den Hausgebrauch		
Konformität mit EU-Richtlinie 2009/125/EG – Verordnung Nr. 66/2014 (*)		
Marke	Beko	
Modell	EH 9641 XHN	
Art des Kochfeldes	Elektro	x
	Gas	
	Kombination	
Anzahl Kochzonen und/oder Bereiche	Strahlungskochzone	x
	Induktionskochzone	
Heiztechnologie	Kochplatten	
Bei kreisförmigen Kochzonen oder -flächen: Durchmesser der nutzbaren Oberfläche für jede elektrisch beheizte Kochzone, auf 5 mm genau. (Ø/cm)	Zone vorne links	18
	Zone hinten links	
	Zone vorne rechts	14
	Zone hinten rechts	-
	Rechte Zone	-
	Mittlere Zone	-
	Zone links	-
	Zone vorne	-
Bei nicht kreisförmigen Kochzonen oder -flächen: Länge und Breite der nutzbaren Oberfläche für jede elektrisch beheizte Kochzone und jede elektrisch beheizte Kochfläche, auf 5 mm genau. (L x B, cm)	Zone hinten	-
	Zone vorne links	-
	Zone hinten links	-
	Zone vorne rechts	-
	Zone hinten rechts	27x17
	Rechte Zone	-
	Mittlere Zone	-
	Zone links	-
Energieverbrauch pro Kochzone oder -fläche, berechnet pro kg, , Wh/kg	Zone vorne	-
	Zone hinten	-
	Zone vorne links	194,3
	Zone hinten links	194,1
	Zone vorne rechts	194,1
	Zone hinten rechts	194,3
	Rechte Zone	-
	Mittlere Zone	-
Energieverbrauch des Kochfeldes berechnet pro kg, (Wh/kg)	Zone links	-
	Zone vorne	-
	Zone hinten	-
		199,97

(*)Nur für EU-Länder

7731782940 285367840 AC de_DE

Product Fiche compliant to commission delegated regulation (EU) No 65/2014 and UK SI 2019 No. 539

PRF0113156C

F060102648 Ed. 08/18

	Value	Unit	
Supplier's name or trade mark	ELICA		PI il nome o il marchio del fornitore; BG ивме или търговска марка на доставчика; FI valmistajan nimi tai tavaramerkki; LV piegādātāja nosaukums vai preču zīme; PT nome do fornecedor ou marca comercial; SV Leverantörens namn eller varumärke; FR nom du fournisseur ou marque; CS název nebo obchodní značka výrobce; HR naziv ili zaštitni znak proizvođača; MT isem il-fornitur jew il-marka kummerċjali tiegħu; RO denumirea sau marca comercială a furnizorului; EL Όνομα και εταιρία του προμηθευτή; UA торговельна марка
Model identifier	E076BII-027-002		PI modello; BG идентификатор на модела; FI malli; LV piegādātāja modeļa identifikators; PT identificador de modelo; SV Leverantörens modellbeteckning; FR modèle; CS model; HR model; MT l-identifikatur tal-modeli tal-fornitur; RO identificatorul de model al furnizorului; EL Μοντέλο; UA модель
Annual Energy Consumption - AEC _{hood}	43.1	kWh/a	PI indice di efficienza energetica; BG годишната консумация на енергия; FI energiatehokkuusindeksi; LV energoparētātājs gaiss; PT consumo anual de energia; SV Den årliga energiförbrukningen; FR consommation d'énergie annuelle; CS index energetické účinnosti; HR indeks energetske učinkovitosti; MT l- konsum annwali tal-enerġija; RO consumul anual de energie; EL Δείκτης ενεργειακής απόδοσης; UA річний обсяг енергоспоживання; кВт·г/рік
Energy Efficiency Class	A		PI classe di efficienza energetica; BG класът на енергийна ефективност; FI energiatehokkuusluokka; LV energoefektivitātes klase; PT classe de eficiência energética; SV Energieeffektivitetsklass; FR classe d'efficacité énergétique; CS třída energetické účinnosti; HR klasa energetske učinkovitosti; MT l-klasi tal-efiċjenza enerġetika; RO clasa de eficiență energetică; EL Κατηγορία ενεργειακής απόδοσης; UA клас енергоефективності
Fluid Dynamic Efficiency - FDE _{hood}	31.8	%	PI efficienza fluidodinamica; BG газодинамичната ефективност; FI nestedynaaminen tehokkuus; LV hidrodinamiskā efektivitāte; PT eficiência da dinâmica dos fluidos; SV flödesdynamiska effektiviteten; FR efficacité fluidodynamique; CS fluidní dynamická účinnost; HR učinkovitost dinamičke tekućine; MT l-efiċjenza fluidodinamika; RO eficiența fluido-dinamică; EL Δυναμική απόδοση ρευστότητας; UA гідродинамічна ефективність
Fluid Dynamic Efficiency class	A		PI classe di efficienza fluidodinamica; BG класът на газодинамична ефективност; FI nestedynaaminen tehokkuusluokka; LV hidrodinamiskās efektivitātes klase; PT classe de eficiência dinâmica dos fluidos; SV flödesdynamiska klassen; FR classe d'efficacité fluidodynamique du modèle; CS třída fluidní dynamické účinnosti; HR klasa učinkovitosti dinamičke tekućine; MT l-klasi tal-efiċjenza fluidodinamika; RO clasa de eficiență fluido-dinamică; EL Κατηγορία ρευστοδυναμικής απόδοσης; UA клас гідродинамічної ефективності
Light Efficiency - LE _{hood}	76.1	lux/W	PI efficienza luminosa; BG ефективността на осветяване; FI valoteho; LV apgaismojuma efektivitāte; PT eficiência de iluminação; SV Belysningseffektiviteten; FR efficacité lumineuse; CS světelná účinnost; HR učinkovitost svjetla; MT l-efiċjenza tat-tidwili; RO eficiența iluminării; EL Φωτεινή απόδοση; UA світлова ефективність випромінювання
Lighting Efficiency Class	A		PI classe di efficienza luminosa; BG класът на ефективността на осветяване; FI valoteholuokka; LV apgaismojuma efektivitātes klase; PT classe de eficiência de iluminação; SV Belysningseffektivitetsklass; FR classe d'efficacité lumineuse du modèle; CS třída světelné účinnosti; HR klasa učinkovitosti svjetla; MT l-klasi tal-efiċjenza tat-tidwili; RO clasa de eficiență a iluminării; EL Κατηγορία φωτεινής απόδοσης; UA клас світлової ефективності випромінювання
Grease Filtering Efficiency - GFE _{hood}	76.0	%	PI efficienza di filtraggio dei grassi; BG ефективността на филтриране на мазнини; FI rasvasuodatus tehokkuus; LV tauku filtrēšanas efektivitāte; PT eficiência de filtragem de gorduras; SV Fettfiltreringseffektiviteten; FR efficacité de filtration des graisses; CS účinnost filtrace tuků; HR učinkovitost filtriranja masnoća; MT l-efiċjenza tal-filtrazzjoni tal-grassijiet; RO eficiența de filtrare a grăsimilor; EL Απόδοση φιλτραρίσματος του λίπους; UA ефективність фільтрування жиру
Grease Filtering Efficiency class	C		PI classe di efficienza del filtraggio dei grassi; BG класът на ефективността на филтриране на мазнини; FI rasvasuodatusten tehokkuusluokka; LV tauku filtrēšanas efektivitātes klase; PT classe de eficiência de filtragem de gorduras; SV Fettfiltreringseffektivitetsklass; FR classe d'efficacité de filtration des graisses du modèle; CS třída účinnosti filtrace tuků; HR klasa učinkovitosti filtriranja masnoća; MT l-klasi tal-efiċjenza tal-filtrazzjoni tal-grassijiet; RO clasa de eficiență a filtrării grăsimilor; EL Κατηγορία απόδοσης του φιλτραρίσματος του λίπους; UA клас ефективності фільтрації жиру
Minimum Air Flow in normal use	260.0	m³/h	PI flusso d'aria alla potenza minima; BG дебитът при минималната скорост на нормално използване; FI ilmavirtaus minimiteholla; LV gaisa plūsmas ātrums pie minimālā ātruma normālā režīmā; PT valor do fluxo de ar na regulação de velocidade mínima; SV Luftflöde vid minimi under normal bruk; FR débit d'air à la vitesse minimale; CS průtok vzduchu při minimálním výkonu; HR protok zraka na minimalnoj snazi; MT il-fluss tal-arġja fil-velocità minima tal-apparat waqt użu normali; RO debitul de aer la turajă minimă; EL Ροή αέρα στην ελάχιστη ισχύ; UA витягування повітря (м³/год) на мінімальній швидкості за звичайного режиму користування
Maximum Air Flow in normal use	620.0	m³/h	PI flusso d'aria alla potenza massima; BG дебитът при максималната скорост на нормално използване; FI ilmavirtaus maksimiteholla; LV gaisa plūsmas ātrums pie maksimālā ātruma normālā režīmā; PT valor do fluxo de ar na regulação de velocidade máxima; SV Luftflöde vid maximi hastighet under normalt bruk; FR débit d'air à la vitesse maximale; CS průtok vzduchu při maximálním výkonu; HR protok zraka na maksimalnoj snazi; MT il-fluss tal-arġja fil-velocità massima tal-apparat waqt użu normali; RO debitul de aer la turajă maximă; EL Ροή αέρα στην μέγιστη ισχύ; UA витягування повітря (м³/год) на максимальній швидкості за звичайного режиму користування
Air Flow at intensive/boost setting	NA	m³/h	PI flusso d'aria in condizioni di uso intenso o boost; BG дебитът на позицията за интензивен или форсиран режим, ако има такава; FI ilmavirtaus intensiivissä tai tehostetussa käytössä; LV gaisa plūsmas ātrums intensīvā vai pastiprinātajā režīmā; PT valor do fluxo de ar) no modo intensivo ou boost; SV Luftflöde vid intensiv- eller boostinställning; FR le débit d'air en mode intensif ou «boost»; CS průtok vzduchu za podmínek intenzivního nebo zvýšeného používání; HR protok zraka u uvjetima intenzivnog korištenja ili pojačanja; MT l-fluss tal-arġja meta l- apparat ikun qed jithaddem bl- użu tal- modalità intensiva; RO debitul de aer în modul intensiv sau accelerat; EL Ροή αέρα υπό συνθήκες έντονης ή επιταχυνόμενης χρήσης; UA витягування повітря (м³/год) у умовах інтенсивного режиму або режиму підвищеної інтенсивності
A-weighted Sound Power Emission at minimum speed	49.0	dB(A) re 1pW	PI potenza sonora ponderata A delle emissioni di rumore alla potenza minima; BG нивото на мощността на излъчвания въздушен шум, по крива A при минималната скорост; FI melupäästöjen A-painotettu äänitehotos minimiteholla; LV A-izsvartotās akustiskās jaudas emisijas gaisā pie minimālā ātruma normālā režīmā; PT nível de potência sonora com ponderação A com a regulação de velocidade mínima; SV Luftburet akustiskt buller för A-viktade ljudeffektutsläpp vid maximi hastighet under normal bruk; FR émissions acoustiques de l'air pondérées de la valeur A à la vitesse minimale; CS vážená hladina emisí hluku akustického výkonu při minimálním výkonu; HR ponderirana zvučna snaga A razine buke na minimalnoj snazi; MT l-emissjonijiet akustici tal-qawwa tal-hoss fl-arġja, ipezzati għall-frekwenza A fil-velocità minima; RO puterea acustică ponderată A a emisilor sonore transmise prin aer la turajă minimă disponibilă; EL Σταθωμένη ακουστική ισχύς Α των εκπομπών θορύβου στην ελάχιστη ισχύ; UA рівень акустичного поширення шуму в повітрі за шкалою А на мінімальній швидкості
A-weighted Sound Power Emission at maximum speed	69.0	dB(A) re 1pW	PI potenza sonora ponderata A delle emissioni di rumore alla potenza massima; BG нивото на мощността на излъчвания въздушен шум, по крива A при максималната скорост; FI melupäästöjen A-painotettu äänitehotos maksimiteholla; LV A-izsvartotās akustiskās jaudas emisijas gaisā pie maksimālā ātruma normālā režīmā; PT nível de potência sonora com ponderação A com a regulação de velocidade máxima; SV Luftburet akustiskt buller för A-viktade ljudeffektutsläpp vid maximi hastighet under normal bruk; FR émissions acoustiques de l'air pondérées de la valeur A à la vitesse maximale; CS vážená hladina emisí hluku akustického výkonu při maximálním výkonu; HR ponderirana zvučna snaga A razine buke na maksimalnoj snazi; MT l-emissjonijiet akustici tal-qawwa tal-hoss fl-arġja, ipezzati għall-frekwenza A fil-velocità massima; RO puterea acustică ponderată A a emisilor sonore transmise prin aer la turajă maximă disponibilă; EL Σταθωμένη ακουστική ισχύς Α των εκπομπών θορύβου στην μέγιστη ισχύ; UA рівень акустичного поширення шуму в повітрі за шкалою А на максимальній швидкості
A-weighted Sound Power Emission at intensive or boost speed	NA	dB(A) re 1pW	PI potenza sonora ponderata A delle emissioni di rumore in condizioni di uso intenso o boost; BG нивото на мощността на излъчвания въздушен шум, по крива A на позицията за интензивен или форсиран режим, ако има такава; FI melupäästöjen A-painotettu äänitehotos intensiivissä tai tehostetussa käytössä; LV A-izsvartotās akustiskās jaudas emisijas gaisā intensīvā vai pastiprinātajā režīmā; PT nível de potência sonora com ponderação A no modo intensivo ou boost; SV Luftburet akustiskt buller för A-viktade ljudeffektutsläpp vid intensiv- eller boostinställning; FR es émissions acoustiques de l'air pondérées de la valeur A n mode intensif ou «boost»; CS vážená hladina emisí hluku akustického výkonu za podmínek intenzivního nebo zvýšeného používání; HR ponderirana zvučna snaga A razine buke u uvjetima intenzivnog korištenja ili pojačanja; MT l-emissjonijiet akustici tal-qawwa tal-hoss fl-arġja, ipezzati għall-frekwenza A fil-velocità massima; RO puterea acustică ponderată A a emisilor sonore transmise prin aer la turajă maximă disponibilă; EL Σταθωμένη ακουστική ισχύς Α των εκπομπών θορύβου υπό συνθήκες έντονης ή επιταχυνόμενης χρήσης; UA рівень акустичного поширення шуму в повітрі за шкалою А у умовах інтенсивного режиму або режиму підвищеної інтенсивності
Power consumption off mode - P _o	NA	W	PI consumo di energia in modo spento; BG консумацията на мощност в режим „изключен“; FI energiankulutus sammutettuna; LV jaudas patēriņš izslēgtā režīmā; PT consumo de energia no modo de desativação; SV effektförbrukningen i frånläge; FR la consommation d'énergie en mode «arrêté»; CS spotřeba energie ve vypnutém režimu; HR potrošnja energije u načinu rada isključen; MT il-konsum tal-enerġija fil-modalità Miġri; RO consumul de putere în modul oprit; EL Κατανάλωση ενέργειας σε απενεργοποιημένη κατάσταση; UA енергоспоживання у режимі вимкнення
Power consumption in standby mode - P _s	NA	W	PI consumo di energia in modo standby; BG консумацията на мощност в режим „в готовност“; FI energiankulutus standby-tilassa; LV jaudas patēriņš gaidstāvēs režīmā; PT consumo de energia no modo de espera; SV effektförbrukningen i standby-läge; FR la consommation d'énergie en mode «veille»; CS spotřeba energie v pohotovostním režimu; HR potrošnja energije u stanju mirovanja; MT il-konsum tal-enerġija fil-modalità Stennja; RO consumul de putere în modul standby; EL Κατανάλωση ενέργειας σε κατάσταση αναμονής; UA енергоспоживання у режимі очікування

Additional Product Information compliant to commission regulation (EU) No 66/2014 and UK SI 2019 No. 539

	Symbol	Value	Unit	
Time increase factor	f	0.9		PI Fattore di incremento nel tempo; BG Коэффициент на увеличаване на времето; FI Ajan kourutuskerroin; LV Laika palielinājuma koeficients; PT Fator de aumento de tempo; SV Faktor öveçanjan çasa; FR Facteur d'accroissement dans le temps; CS Koeficient zvýšení času; HR Faktor povećanja vremena; MT Fattur ta' zieda fil-hin; RO Factor de cretere în timp; EL Παράγοντας αύξησης κατά την πόρση του χρόνου; UA Коэффициент зростання у часі
Energy Efficiency Index	EEl _{hood}	51.2		PI Indice di efficienza energetica; BG Индекс на енергийна ефективност; FI Energiatehokkuusindeksi; LV Energoefektivitātes indekss; PT Índice de eficiência energética; SV Indeks energiseiske učinkovitosti; FR Indice d'efficacité énergétique; CS Index energetické účinnosti; HR Indeks energetske učinkovitosti; MT l-indici tal-efiċjenza enerġetika; RO Indice de eficiență energetică; EL Δείκτης ενεργειακής απόδοσης; UA Показник енергоефективності
Measured air flow rate at best efficiency point	QBEP	335.0	m³/h	PI Portata d'aria misurata al punto di massima efficienza; BG Дебит, измерен в точката на най-висока ефективност; FI Mitattu ilmavirta parhaan hyötysuhteen piis-tessää; LV Gaisa plūsma, mērīta optimālajā darba punktā; PT Débito de ar medido no ponto de maior eficiência; SV Izmjerna stopnja protoka zraka na točki največje učinkovitosti; FR Débit d'air mesuré au point de rendement maximal; CS Naměřený průtok vzduchu v bodě nejvyšší účinnosti; HR Izmjerna stopra protoka zraka pri točki največje stupnje iskorištenja; MT l-rata tal-fluss tal-arġja mkejja fil-punt tal- effiċjenza massima; LV Pārūsta arba na punktā ar vislielāko efektivitāti; RO Puterea electrică de intrare măsurată la punctul de eficiență maximă; EL Παροχή αέρα που μετρείται στο σημείο της μέγιστης απόδοσης; UA Пропускна здатність в точці максимальної ефективності
Measured air pressure at best efficiency point	PBEP	410.0	Pa	PI Pressione dell'aria misurata al punto di mas-sima efficienza; BG Налягане, измерено в точката на най-висока ефективност; FI Mitattu ilmanpaine parhaan hyötysuhteen pisteessä; LV Gaisa spiediens, mērīts optimālajā darba punktā; PT Pressão de ar medido no ponto de maior eficiência; SV Izmjeren zračni tlak na točki največje učin-kovitosti; FR Pression d'air mesurée au point de rendement maximal; CS Naměřený tlak vzduchu v bodě nejvyšší účinnosti; HR Izmjeren tlak zraka pri točki največje stupnje iskorištenja; MT l-pressjoni tal-arġja mkejja fil-punt tal- effiċjenza massima; RO Presiunea aerului măsurată la punctul de eficiență maximă; EL Πίση του αέρα που μετρείται στο σημείο της μέγιστης απόδοσης; UA Тиск повітря, виміряний в точці максимальної ефективності
Maximum air flow	Q _{max}	620.0	m³/h	PI Flusso d'aria massimo; BG Максимален дебит; FI Suurin ilmavirta; LV Gaisa maksimālā plūsma; PT Débito de ar máximo; SV Največji pretok zraka; FR Débit d'air maximal; CS Maximální průtok vzduchu; HR Najveći dopušteni protok zraka; MT il-fluss massimu tal-arġja; RO Fluxul maxim de aer; EL Μέγιστη ροή αέρα; UA Максимальна пропускна здатність
Measured electric power input at best efficiency point	WBEP	120.0	W	PI Potenza elettrica assorbita al punto di mas-sima efficienza; BG Входна електрическа мощност в точката на най-висока ефективност; FI Mitattu sähkönt ototeho parhaan hyötysuhteen pisteessä; LV Elektriskā ievaias jauda, mērīta optimālajā darba punktā; PT Potência elétrica medida no ponto de maior eficiência; SV Izmjerna vhodna električna moč na točki največje učinkovitosti; FR Puissance électrique à l'entrée mesurée au point de rendement maximal; CS Naměřený elektrický příkon v bodě nejvyšší účinnosti; HR Izmjerna ulazna električna snaga pri točki največje stupnje iskorištenja; MT l-kontribut tal-enerġija elettrika mkejja fil- punt tal-efiċjenza massima; RO Puterea electrică de intrare măsurată la punctul de eficiență maximă; EL Ηλεκτρική ισχύς που απορροφάται στο σημείο της μέγιστης απόδοσης; UA Електрична потужність, що поглиняється в точці максимальної ефективності
Nominal power of the lighting system	WL	5.0	W	PI Potenza nominale del sistema di illuminazio-ne; BG Номинална мощност на осветелната система; FI Valaistusjärjestelmän nimellisteho; LV Apgaismes sistēmas nominālā jauda; PT Potência nominal do sistema de iluminação; SV Nazivna moč sistema za osvetljevanje; FR Puissance nominale du système d'éclairage; CS Jmenovitý příkon osvětlovacího systému; HR Nominalna snaga sustava za osvetljavanje; MT il-qawwa nominali tas-sistema tat-tidwili; RO Puterea nominală a sistemului de iluminat; EL Όνομαστική ισχύς του συστήματος φωτισμού; UA Номінальна потужність системи освітлення
Average illumination of the lighting system on the cooking surface	E _{middle}	381.0	lux	PI Illuminamento medio del sistema di illuminazione sulla superficie di cottura; BG Средна осветеност, осигурявана от осветителната система върху повърхността за готвене; FI Valaistusjärjestelmän keskimääräinen valais-tusvoimakkuus keittopinnalla; LV Apgaismes sistēmas nodrošinātais vidējais apgaismojums uz ēdiena gatavošanas virsmas; PT Iluminação média produzida pelo sistema de iluminação na superfície de cozedura; SV Povyrcena osvetljenost kuhinje površine, ki jo zagotavlja sistem za osvetljevanje; FR Éclairage moyen du système d'éclairage sur la surface de cuisson; CS Průměrné osvětlení varhno povrchu osvětlo-vacím systémem; HR Prosjecno osvetljenje sustava za osvetlja-vanje površine za kuhanje; MT il-luminazzjoni medja tas-sistema tal-tidwili fuq il-wicc għat-tisjar; RO Iluminarea medie a sistemului de iluminat pe suprafața de gătit; EL Μέσια φωτεινότητα του συστήματος φωτισμού στην επιφάνεια μαγειρείας; UA Середнє світлове випромінювання системи освітлення на варильній поверхні

Product Fiche compliant to commission delegated regulation (EU) No 65/2014 and UK SI 2019 No. 539

PRF0113156C

F060102648 Ed. 08/18

	Value	Unit	
Supplier's name or trade mark	ELICA		DE Name oder Warenzeichen des Lieferanten; DA Leverandørens navn eller varemærke; HU A gyártó neve vagy márkajelzése; NL naam van de leverancier of het handelsmerk; SK názov alebo obchodná značka výrobcu; GA ainm nó branda an tsoláthraí; ES el nombre o marca comercial del proveedor; ET tarnija nimi või kaubamärk; LT Tiekėjo pavadinimas ir prekės ženklas; PL nazwa dostawcy lub znak towarowy; SL ime ali oznaka proizvajalca; TR Tedarikçi adı; SR ime ili robna marka proizvođača; BY назва або гаварны знак вытворцы; RU название или марка поставщика
Model identifier	E076BII-027-002		DE Modellkennung des Lieferanten; DA Model, HU modell, NL typeaanduiding van het model van de leverancier; SK model, GA leagan, ES el identificador del modelo del proveedor; ET mudel, LT modelis, PL identyfikator modelu dostawcy; SL model, TR Model tanımı; SR Model, BY мадэль, RU модель
Annual Energy Consumption - AEEhood	43.1	kWh/a	DE jährliche Energieverbrauch; DA Årligt energiforbrug; HU energiahatékonysági mutató; NL het jaarlijkse energieverbruik; SK index energetickej účinnosti; GA Inneacs éifeachtúlachta fuinnimh; ES el consumo de energía anual; ET aastane energiatarbimine; LT energijos vartojimo efektyvumo santykinis dydis; PL roczne zużycie energii; SL indeks energetske učinkovitosti; TR Yıllık enerji tüketimi; SR indeks energetske efikasnosti; BY індекс энэрга эфектыўнасці; RU годовое потребление энергии
Energy Efficiency Class	A		DE Energieeffizienzklasse; DA Energieeffektivitetsklasse; HU energiahatékonysági osztály; NL energie-efficiëntieklasse; SK trieda energetickej účinnosti; GA rang éifeachtúlachta fuinnimh; ES la clase de eficiencia energética; ET Energiatõhususe klass; LT energijos vartojimo efektyvumo klasė; PL klasa efektywności energetycznej; SL razred energetske učinkovitosti; TR Enerji verimlilik sınıfı; SR klasa energetske efikasnosti; BY клас энэрга эфектыўнасці; RU класс энергоэффективности
Fluid Dynamic Efficiency - FDEhood	31.8	%	DE Fluidynamische Effizienz; DA Væskedynamisk effektivitet; HU hidrodinamikai hatékonyság; NL hydrodynamische efficiëntie; SK fluidná dynamická účinnosť; GA éifeachtúlacht sreabhhdhinnimiciúil; ES la eficiencia fluidodinámica; ET hüdrodünamika tõhusus; LT srauto dinaminis efektyvumas; PL wydajność przepływu dynamicznego; SL pretočna dinamična učinkovitost; TR Sivi dinamiği verimliliği; SR fluo-dinamička efikasnost; BY дынамічная эфектыўнасць вадакці; RU гидродинамическая эффективность
Fluid Dynamic Efficiency class	A		DE die Klasse für die Fluidynamische Effizienz; DA Væskedynamisk effektivitetsklasse; HU hidrodinamikai hatékonysági osztály; NL hydrodynamische-efficiëntieklasse; SK trieda fluidnej dynamickej účinnosti; GA rang éifeachtúlachta sreabhhdhinnimiciúil; ES la clase de eficiencia fluidodinámica; ET hüdrodünamika tõhususe klass; LT srauto dinamino efektyvumo klasė; PL klasa wydajności przepływu dynamicznego; SL razred pretočne dinamične učinkovitosti; TR Sivi dinamiği verimlilik sınıfı; SR klasa fluo-dinamičke efikasnosti; BY клас дынамічнай эфектыўнасці вадакці; RU класс гидродинамической эффективности
Light Efficiency - LEhood	76.1	lux/W	DE Beleuchtungseffizienz; DA Belysningseffektivitet; HU megvilágítási hatékonyság; NL verlichtingsefficiëntie; SK svetelná účinnosť; GA éifeachtúlacht solais; ES la eficiencia de iluminación; ET Valgustõhusus; LT šviesos našumas; PL sprawność oświetlenia; SL svetlobna učinkovitost; TR Aydınlatma Verimliliği; SR svetlosna efikasnost; BY святлоадачна; RU световая отдача
Lighting Efficiency Class	A		DE Beleuchtungseffizienzklasse; DA Belysningseffektivitetsklasse; HU megvilágítási hatékonysági osztály; NL verlichtingsefficiëntieklasse; SK trieda svetelnej účinnosti; GA rang éifeachtúlachta solais; ES la clase de eficiencia de iluminación; ET Valgustõhususe klass; LT šviesos našumo klasė; PL klasa sprawności oświetlenia; SL razred svetlobne učinkovitosti; TR Aydınlatma Verimliliği sınıfı; SR klasa svetlosne efikasnosti; BY клас світлоадачна; RU класс световой отдачи
Grease Filtering Efficiency - GFEhood	76.0	%	DE Fettschneidegrad; DA Effektivitet af fedtfiltrering; HU zsírszűrő hatékonysága; NL vetfilteringssefficiëntie; SK účinnosť filtrácie tukov; GA éifeachtúlacht scagtha gréise; ES la eficiencia de filtrado de grasa; ET Rasva eemaldamise tõhusus; LT riebiųjų filtravimo našumas; PL efektywność pochłaniania zanieczyszczeń; SL učinkovitost filtriranja maščob; TR Yağ Süzme Verimliliği; SR efikasnost filtriranja masti; BY эфектыўнасць фільтрацыі змазка; RU эффективность фильтрации жиров
Grease Filtering Efficiency class	C		DE die Klasse für den Fettschneidegrad; DA Effektivitetsklasse af fedtfiltrering; HU zsírszűrő hatékonysági osztály; NL vetfilteringssefficiëntieklasse; SK trieda účinnosti filtrácie tukov; GA rang éifeachtúlachta scagtha gréise; ES la clase de eficiencia de filtrado de grasa; ET Rasva eemaldamise tõhususe klass; LT riebiųjų filtravimo našumo klasė; PL klasa efektywności pochłaniania zanieczyszczeń; SL razred učinkovitosti filtriranja maščob; TR Yağ Süzme Verimliliği sınıfı; SR klasa efikasnosti filtriranja masti; BY клас эфектыўнасці фільтрацыі змазка; RU класс эффективности фильтрации жиров
Minimum Air Flow in normal use	260.0	m³/h	DE der Luftstrom minimaler; DA Luftstrom ved minimal effekt; HU levegő sebesség minimum teljesítményen; NL luchtstroom bij minimum bij normaal gebruik; SK prietok vzduchu pri minimálnom výkone; GA aershrabhaidh ag an íoschumhacht; ES el flujo de aire en su ajuste mínimo; ET Minimaalne õhuvool tavakasutusel; LT oro srautas mažiausia; Galingumu; PL natężenie przepływu powietrza przy minimalnej; SL pretok zraka na minimalni moči; TR Azami Hızdaki Hava Akımı; SR protok vazduha pri minimalnoj snazi; BY ўважальная гукавая моц шую А пры мінімальнай магутнасці; RU расход воздуха при минимальной мощности
Maximum Air Flow in normal use	620.0	m³/h	DE der Luftstrom maximaler; DA Luftstrom ved maksimal effekt; HU levegő sebesség maximum teljesítményen; NL luchtstroom bij maximumnelheid bij normaal gebruik; SK prietok vzduchu pri maximálnom výkone; GA aershrabhaidh ag an uaschumhacht; ES el flujo de aire en su ajuste máximo; ET Maksimaalne õhuvool tavakasutusel; LT oro srautas didžiausia; Galingumu; PL natężenie przepływu powietrza przy maksymalnej; SL pretok zraka na maksimalni moči; TR Azami Hızdaki Hava Akımı; SR protok vazduha pri maksimalnoj snazi; BY ўважальная гукавая моц шую А пры максімальнай магутнасці; RU расход воздуха при максимальной мощности
Air Flow at intensive/boost setting	NA	m³/h	DE Luftstrom im Betrieb auf der Intensivstufe oder Schnelllaufstufe; DA Luftstrom ved intensiv brug eller boost; HU levegő sebesség intenzív vagy boost sebességfokozaton; NL luchtstroom in de intensieve of boostmodus; SK prietok vzduchu za podmienok intenzívneho alebo zvýšeného používania; GA aershrabhaidh le tránúsáid; ES el flujo de aire en posición ultrarrápida o reforzada; ET õhuvool intensiivkasutusel; LT oro srautas intensyviaj ar forsuojama veiksmo; PL dane dotyczące natężenia przepływu powietrza przy ustawieniu trybu intensywnego lub turbo; SL pretok zraka v intenzivnem ali boost načinu delovanja; TR Yoğun veya destekli ayardaki hava akımı; SR protok vazduha u uslovima intezivne upotrebe ili boost; BY паток паветра пры інтэнсіўнай ці бустэрных умовах эксплуатацыі; RU расход воздуха в условиях интенсивного использования или в режиме boost
A-weighted Sound Power Emission at minimum speed	49.0	dB(A) re 1pW	DE A-bewerteten Luftschallemissionen bei minimaler verfügbarer Geschwindigkeit im Normalbetrieb; DA A-vægtet lydeffekt ved minimal effekt; HU A-szűrővel szűzött hangteljesítmény minimum teljesítményen; NL akoestische A-gewogen geluidsemissie in de lucht bij minimumbij normaal gebruik; SK vážená hladina emisie hluku akustického výkonu pri minimálnom výkone; GA fuaimchumhacht ualaithe A na n-astúithe fuaimne ag an íoschumhacht; ES las emisiones sonoras en el aire ponderadas por el valor A en su ajuste mínimo; ET Helinivo A suhtes väikseima kiiruse korral; LT A svertinė; GArso; GAlia mažiausia; GAlingumu; PL poziom hałasu jako hałas emitowany w postaci fal akustycznych odniesionych do A przy minimalnej; SL vrednotena raven A zvočne moči emisije hrupa pri minimalni moči; TR Azgari hızda normal kullandma havaya yayılan akustik A-ajrılıklı ses gücü emisyonu; SR ponderisana zvučna snaga A buke pri minimalnoj snazi; BY ўважальная гукавая моц шую А пры мінімальнай магутнасці; RU Взаешенная звуковая мощность по шкале А звукового излучения при минимальной мощности
A-weighted Sound Power Emission at maximum speed	69.0	dB(A) re 1pW	DE A-bewerteten Luftschallemissionen bei maximaler verfügbarer Geschwindigkeit im Normalbetrieb; DA A-vægtet lydeffekt ved maksimal effekt; HU A-szűrővel szűzött hangteljesítmény maximum teljesítményen; NL akoestische A-gewogen geluidsemissie in de lucht bij maximumnelheid bij normaal gebruik; SK vážená hladina emisie hluku akustického výkonu pri maximálnom výkone; GA fuaimchumhacht ualaithe A na n-astúithe fuaimne ag an uaschumhacht; ES las emisiones sonoras en el aire ponderadas por el valor A en su ajuste máximo; ET Helinivo A suhtes suurima kiiruse korral; LT A svertinė; GArso; GAlia didžiausia; GAlingumu; PL poziom hałasu jako hałas emitowany w postaci fal akustycznych odniesionych do A przy maksymalnej; SL vrednotena raven A zvočne moči emisije hrupa pri maksimalni moči; TR Azami hızda normal kullandma havaya yayılan akustik A-ajrılıklı ses gücü emisyonu; SR ponderisana zvučna snaga A buke pri maksimalnoj snazi; BY ўважальная гукавая моц шую А пры максімальнай магутнасці; RU Взаешенная звуковая мощность по шкале А звукового излучения при максимальной мощности
A-weighted Sound Power Emission at intensive or boost speed	NA	dB(A) re 1pW	DE A-bewerteten Luftschallemissionen im Betrieb auf der Intensivstufe oder Schnelllaufstufe; DA A-vægtet lydeffektiveau ved intensiv brugstiland eller boost; HU A-szűrővel szűzött hangteljesítmény vagy boost fokozat használatakor; NL akoestische A-gewogen geluidsemissie in de lucht in de intensieve of boostmodus; SK vážená hladina emisie hluku akustického výkonu za podmienok intenzívneho alebo zvýšeného používania; GA fuaimchumhacht ualaithe A na n-astúithe fuaimne ag an uaschumhacht; ES las emisiones sonoras en el aire ponderadas por el valor A en posición ultrarrápida o reforzada; ET Helinivo A suhtes suurima kiiruse korral; LT A svertinė; GArso; GAlia didžiausia; GAlingumu; PL dane dotyczące poziomu hałasu emitowanego w postaci fal akustycznych odniesionych do A w trybie intensywnej lub turbo; SL vrednotena raven A zvočne moči emisije hrupa pri intenzivnem ali boost načinu delovanja; TR Yoğun veya destekli ayar da havaya yayılan akustik A-ajrılıklı ses gücü emisyonu; SR ponderisana zvučna snaga A buke u uslovima intezivne upotrebe ili boost; BY ўважальная гукавая моц шую А пры інтэнсіўнай ці бустэрных умовах эксплуатацыі; RU Взаешенная звуковая мощность по шкале А звукового излучения в условиях интенсивного использования или в режиме boost
Power consumption off mode - Po	NA	W	DE Leistungsaufnahme im Aus-Zustand; DA Energiforbrug i slukket tilstand; HU energiatartás kikapcsolt állapotban; NL het elektriciteitsverbruik in de uit-stand; SK spotreba energie va vypnutom režime; GA caithream fuinnimh agus é múchta; ES el consumo de electricidad en modo desactivado; ET Energiakulu väljalülitatuna; LT išjungties būsena suvartojamos elektros energijos kiekis; PL zużycie energii elektrycznej w trybie wyłączenia; SL poraba energije v ugasnjemem načinu; TR Kapalı moddaki güç tüketimi; SR potrošnja energije isključena; BY спажыванне энэргіі ў выключаным рэжыме; RU потребление энергии в выключенном состоянии
Power consumption in standby mode - Ps	NA	W	DE Leistungsaufnahme im Bereitschaftszustand; DA Energiforbrug i standby; HU energiatartás készenléti módban; NL het elektriciteitsverbruik in de stand-by-stand; SK spotreba energie v pohotovostnom režime; GA caithream fuinnimh i mód fuireachais; ES el consumo de electricidad en modo de espera; ET Energiakulu standby-režimisi; LT budėjimo veiksmo suvartojamos elektros energijos kiekis; PL zużycie energii elektrycznej w trybie czuwania; SL poraba energije v standby načinu; TR Hazır bekleme modundaki güç tüketimi; SR potrošnja energije u stanju mirovanja; BY спажыванне энэргіі ў рэжыме чакаання; RU потребление энергии в режиме ожидания

Additional Product Information compliant to commission regulation (EU) No 66/2014 and UK SI 2019 No. 539

	Symbol	Value	Unit	
Time increase factor	f	0.9		DE Zeitverlängerungsfaktor; DA Tidsforøgelsesfaktor; HU időtartam-növelő tényező; NL Tijdstoenamefactor; SK Činiteľ prírastku času; GA Fachtóir méadaithe san am; ES Factor de incremento temporal; ET Ajaline kasvategur; LT Laiko didėjimo; DAuglikis; PL Współczynnik upływu czasu; SL Faktor povečanja časa; TR Zaman artış faktörü; SR Faktor povećanja tokom vremena; BY коэффициент павялічэння з цягам часу; RU Коэффициент увеличения по времени
Energy Efficiency Index	EElhood	51.2		DE Energieeffizienzindex; DA Energieeffektivitetsindeks; HU energiahatékonysági mutató; NL Energie-efficiëntie-index; SK Index energetickej účinnosti; GA Inneacs éifeachtúlachta fuinnimh; ES Índice de eficiencia energética; ET Energiatõhususe indeks; LT Energijos vartojimo efektyvumo indeksas; PL Wskaźnik efektywności energetycznej; SL Indeks energetske učinkovitosti; TR Enerji Verimlilik Endeksi; SR indeks energetske efikasnosti; BY індекс энэрга эфектыўнасці; RU Индекс энергоэффективности
Measured air flow rate at best efficiency point	QBEP	335.0	m³/h	DE Gemessener Luftvolumenstrom im Bestpunkt; DA Målt luftstrøm i det optimale driftspunkt (BEP); HU Mért légáramsebesség a legjobb hatásfokú pontban; NL Gemeten luchtdebit op het beste-efficiëntie-punt; SK Nameraný prietok vzduchu v bode s najvyššou účinnosťou; GA Sreabháir aera a thombaistear ag pointe na héifeachtúlachta uasta; ES Flujo de aire medido en el punto de máxima eficiencia; ET Mõõdetud õhuvooluhulk suurima tõhususega tööolukorras; LT Išmatuoti optimalaus našumo taško oro srautas; PL Natężenie przepływu powietrza mierzone w optymalnym punkcie pracy; SL Izmerjena vhodna električna moč na točki največje učinkovitosti; TR En iyi verimlilik noktasındaki hava akımı; SR protok vazduha izmerena pri maksimalnoj efikasnosti; BY выдатках паветра ў кропцы максімальнай эфектыўнасці; RU Расход воздуха, замеренный в точке максимальной эффективности
Measured air pressure at best efficiency point	PBEP	410.0	Pa	DE Gemessener Luftdruck im Bestpunkt; DA Målt lufttryk i det optimale driftspunkt; HU Mért légnyomás a legjobb hatásfokú pontban; NL Gemeten luchtdruk op het beste-efficiëntie-punt; SK Nameraný tlak vzduchu v bode s najvyššou účinnosťou; GA Aerbhú a thombaistear ag pointe na héifeachtúlachta uasta; ES Presión de aire medida en el punto de má-xima eficiencia; ET Mõõdetud õhurõhk suurima tõhususega tööolukorras; LT Išmatuoti optimalaus našumo taško oro slėgis; PL Ciśnienie powietrza mierzone w optymalnym punkcie pracy; SL Izmerjena značilni tlak na točki največje učin-kovitosti; TR En iyi verimlilik noktasındaki statik basınç farkı; SR Pritisak vazduha izmerena pri maksimalnoj efikasnosti; BY ціск паветра ў кропцы максімальнай эфектыўнасці; RU Давление воздуха, замеренное в точке максимальной эффективности
Maximum air flow	Qmax	620.0	m³/h	DE Maximaler Luftstrom; DA Maksimal luftstrøm; HU Maximális légáramsebesség; NL Maximale luchtstroom; SK Maximálny prietok vzduchu; GA Aershrabhaidh uasta; ES Flujo de aire máximo; ET Suurim õhuvooluhulk; LT Didžiausias oro srautas; PL Maksymalne natężenie przepływu powietrza; SL Največji pretok zraka; TR Maksimum hava akımı; SR Maksimalni protok vazduha; BY максімальны паток паветра; RU Максимальный расход воздуха
Measured electric power input at best efficiency point	WBEP	120.0	W	DE Gemessene elektrische Eingangsleistung im Bestpunkt; DA Målt elektrisk effektopptag i det optimale driftspunkt; HU Mért villamosenergia-felvétel a legjobb hatás-fokú pontban; NL Gemeten elektrisch opgenomen vermogen op het beste-efficiëntiepunt; SK Nameraný elektrický príkon v bode s najvyššou účinnosťou; GA Cumhacht leictreach a chaitear ag pointe na héifeachtúlachta uasta; ES Potencia eléctrica de entrada medida en el punto de máxima eficiencia; ET Suurima tõhususega tööolukorras mõõdetud tarbitav sisendvõimsus; LT Išmatuoti optimalaus našumo taško vartojamoji elektrinė galia; PL Pobór mocy mierzone w optymalnym punkcie pracy; SL Izmerjena vhodna električna moč na točki največje učinkovitosti; TR En iyi verimlilik noktasındaki elektrik gücü; SR Potrošnja električne energije pri maksimalnoj efikasnosti; BY электраспажыванне ў кропцы максімальнай эфектыўнасці; RU Потребляемая электрическая мощность, замеренная в точке максимальной эффективности
Nominal power of the lighting system	WL	5.0	W	DE Nennleistung des Beleuchtungssystems; DA Belysningssystemets nominelle effekt; HU A világítórészrész névleges teljesítménye; NL Nominaal vermogen van het verlichtingssys-teem; SK Nominálny výkon systému osvetlenia; GA Cumhacht ainmiúil an chórais solaishe; ES Potencia nominal del sistema de iluminación; ET Valgustsüsteemi nimivõimsus; LT Vardinė apšvietimo sistemos galia; PL Moc nominalna systemu oświetlenia; SL Nazivna moč sistema za osvetljevanje; TR Aydınlatma sisteminin nominal gücü; SR Nominálna snaga rasvete; BY номінальная магутнасць сістэмы асвятлення; RU Номинальная мощность системы освещения
Average illumination of the lighting system on the cooking surface	Emiddle	381.0	lux	DE Durchschnittliche Beleuchtungsstärke des Beleuchtungssystems auf der Kochoberfläche; DA Belysningssystemets gennemsnitlige lysstyrke på kogepladen; HU A világítórészrész által a főzési felületen biztosított átlagos megvilágítás; NL Gemiddelde verlichting van het verlichtings-systeem op het kookoppervlak; SK Priemerné osvetlenie vrhané systémom osvet-lenia na povrch varnej plochy; GA Solaisú meánach an chórais solaishe ar an dronmhála coicéaraiche; ES Iluminancia media del sistema de iluminación en la superficie de cocción; ET Valgustsüsteemi keskmine valgustatus tavaliseltistamispiinjal; LT Apsvietimo sistema užtikrinama vidutinė virimo paviršiaus apšvieta; PL Średnie natężenie oświetlenia zapewnianego przez system oświetlenia na powierzchni płyty grzejnej; SL Povprečna osvetljenost kuhalne površine, ki jo zagotavlja sistem za osvetljevanje; TR Pişirme alanında aydınlatma sisteminin ortalama aydınlatması; SR Prosečna osvetljenost na površini za kuvanje; BY сярэдняя асветленасць сістэмы асвятлення на паверхні для гатавання; RU Средняя освещенность, обеспечиваемая системой освещения на варочной поверхности



Joye

Design by **Elica Design Center**

Allgemeine Angaben

GEWICHT (KG)	FINISHING	MASSE (CM)
11,9	Rostfreier Stahl + Schwarzes Glas	60
ENERGIEKLASSE	MINDESTABSTAND ZUM OBERSCHRANK (IN DER HÖHE) INDUKTION- /STRAHLUNGSKOCHFELD	MINDESTABSTAND ZUM OBERSCHRANK (IN DER HÖHE) GASKOCHFELD
A	50cm	65cm
AUSLASSÖFFNUNG	BELEUCHTUNG	ABSORPTION
150mm	Led 2x2.5 W - 3000 K - 381 LUX	205W

Saugleistung

INTENSIVLEISTUNG MIN-MAX	GERÄUSCHPEGEL MIN-MAX	CONTROLS
260m ³ /h - 620m ³ /h	49db(A) - 69db(A)	Drucktasten Mech. 3G

beko

Refrigerator

Instruction of use

Kühlschrank

Gebrauchsanweisung

Réfrigérateur

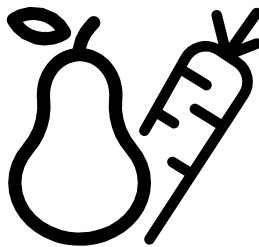
Notice d'utilisation

Koelkast

Gebruiksaanwijzing

Frigorifero

Istruzioni per l'uso



BSSA210K4SN

CE

EN-DE-FR-NL-IT

Please read this user manual first!

Dear Customer,

We hope that your product, which has been produced in modern plants and checked under the most meticulous quality control procedures, will provide you an effective service.




Therefore, read this entire user manual carefully before using the product and keep it as a reference. If you handover the product to someone else, give the user manual as well.

The user manual will help you use the product in a fast and safe way.

- Read the manual before installing and operating the product.
- Make sure you read the safety instructions.
- Keep the manual in an easily accessible place as you may need it later.
- Read the other documents given with the product.
- Remember that this user manual is also applicable for several other models.
- Differences between models will be identified in the manual.

Explanation of symbols

Throughout this user manual the following symbols are used:

-  Important information or useful tips.
-  Warning against dangerous conditions for life and property.
-  Warning against electric voltage.



WARNING!

In order to ensure a normal operation of your refrigerating appliance, which uses a completely environmentally friendly refrigerant the R600a (flammable only under certain conditions) you must observe the following rules:

- Do not hinder the free circulation of the air around the appliance.
- Do not use mechanical devices in order to accelerate the defrosting, others than the ones recommended by the manufacturer.
- Do not destroy the refrigerating circuit.
- Do not use electric appliances inside the food keeping compartment, other than those that might have been recommended by the manufacturer.



INFORMATION



ENERGY



SUPPLIER'S NAME

MODEL IDENTIFIER (*)

A

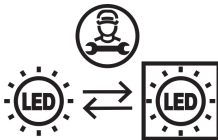
A

The model information as stored in the product data base can be reached by entering following website and searching for your model identifier (*) found on energy label.

<https://eprel.ec.europa.eu/>

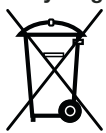
CONTENTS

1 Your refrigerator	3	4 Preparation	10
2 Important Safety Warnings	4	5 Using your refrigerator	11
Intended use	4	Thermostat setting button.....	11
General safety.....	4	Cooling.....	11
Compliance with RoHS Directive:	6	Freezing.....	11
Child safety.....	6	Defrost	12
HCA Warning	6	Stopping your product.....	12
Things to be done for energy saving ..	6	Bottle holder.....	12
3 Installation	7	6 Maintenance and cleaning	13
Points to be considered when re-transporting your refrigerator	7	Protection of plastic surfaces	13
Before operating your refrigerator	7	7 Recommended solutions for the problems	14
Electric connection	7		
Disposing of the packaging	7		
Disposing of your old refrigerator	8		
Placing and Installation	8		
Replacing the interior light bulb	8		
Reversing the doors	9		



This product is equipped with a lighting source of the "G" energy class. The lighting source in this product shall only be replaced by professional repairers.

Recycling

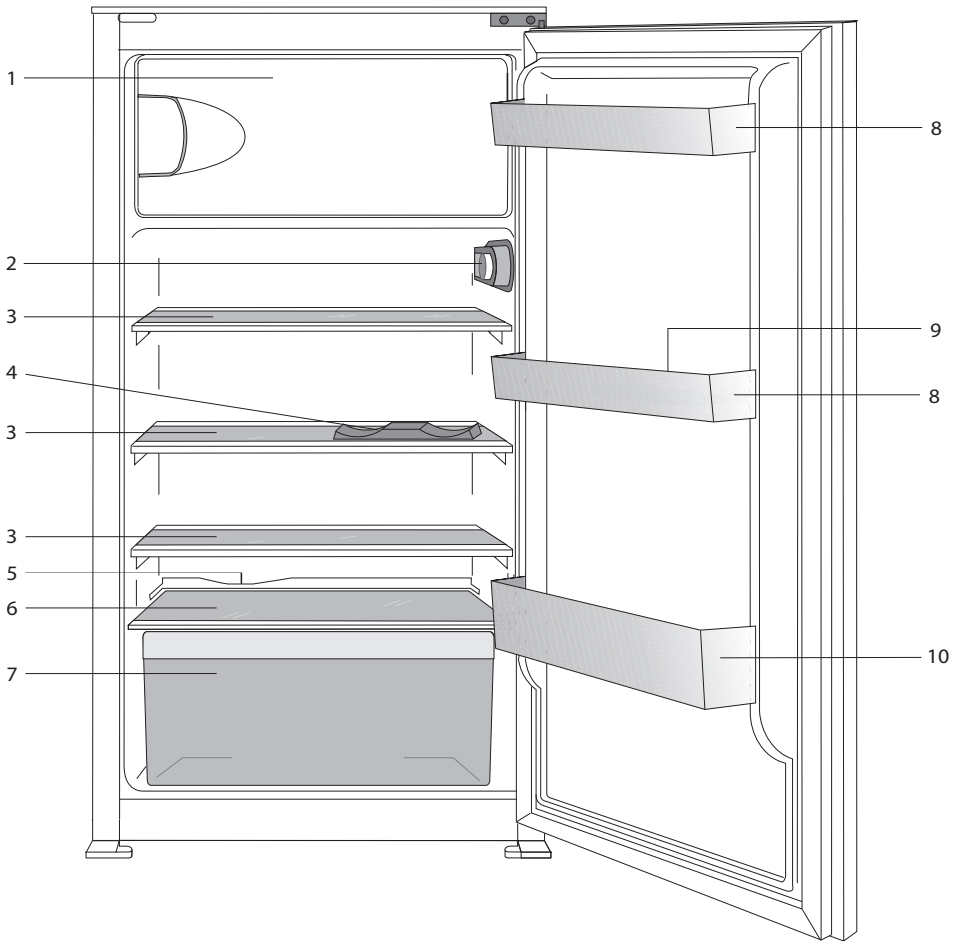


This product is supplied with the selective sorting symbol for waste electrical and electronic equipment (WEEE).

This means that this product must be handled pursuant to European Directive 2012/19/EU in order to be recycled or dismantled to minimise its impact on the environment. For further information, please contact your local or regional authorities.

Electronic products not included in the selective sorting process are potentially dangerous for the environment and human health due to the presence of hazardous substances.

1 Your refrigerator



1. a.) Freezing compartment & ice tray
(for * ** models)
b.) Frozen food compartment & ice tray
(for * * models)
2. Light bulb and thermostat box
3. Movable shelves
4. Bottle holder
5. Defrost water collection channel -drain tube
6. Crisper cover
7. Crisper
8. Adjustable door shelves
9. Egg tray
10. Bottle shelf

i Figures that take place in this instruction manual are schematic and may not correspond exactly with your product. If the subject parts are not included in the product you have purchased, then it is valid for other models.

2 Important Safety Warnings

Please review the following information. Failure to observe this information may cause injuries or material damage. Otherwise, all warranty and reliability commitments will become invalid.

Original Spare parts will be provided for 10 years, following the product purchasing date.

Intended use

- This product is intended to be used:
 - indoors and in closed areas such as homes;
 - in closed working environments such as stores and offices;
 - in closed accommodation areas such as farm houses, hotels, pensions.
- This product should not be used outdoors.

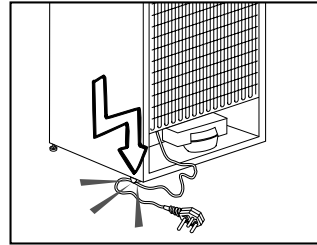
General safety

- When you want to dispose/scrap the product, we recommend you to consult the authorized service in order to learn the required information and authorized bodies.
- Consult your authorized service for all your questions and problems related to the refrigerator. Do not intervene or let someone intervene to the refrigerator without notifying the authorised services.
- For products with a freezer compartment; Do not eat cone ice cream and ice cubes immediately after you take them out of the freezer compartment! (This may cause frostbite in your mouth.)
- For products with a freezer compartment; Do not put bottled and canned liquid beverages in the freezer compartment. Otherwise, these may burst.

- Do not touch frozen food by hand; they may stick to your hand.
- Unplug your refrigerator before cleaning or defrosting.
- Vapor and vaporized cleaning materials should never be used in cleaning and defrosting processes of your refrigerator. In such cases, the vapor may get in contact with the electrical parts and cause short circuit or electric shock.
- Never use the parts on your refrigerator such as the door as a means of support or step.
- Do not use electrical devices inside the refrigerator.
- Do not damage the parts, where the refrigerant is circulating, with drilling or cutting tools. The refrigerant that might blow out when the gas channels of the evaporator, pipe extensions or surface coatings are punctured causes skin irritations and eye injuries.
- Do not cover or block the ventilation holes on your refrigerator with any material.
- Electrical devices must be repaired by only authorised persons. Repairs performed by incompetent persons create a risk for the user.
- In case of any failure or during a maintenance or repair work, disconnect your refrigerator's mains supply by either turning off the relevant fuse or unplugging your appliance.
- Do not pull by the cable when pulling off the plug.
- Place the beverage with higher proofs tightly closed and vertically.
- Never store spray cans containing flammable and explosive substances in the refrigerator.

- Do not use mechanical devices or other means to accelerate the defrosting process, other than those recommended by the manufacturer.
- This appliance is not intended for use by persons (including children) with reduced physical, sensory or mental capabilities, or lack of experience and knowledge, unless they have been given supervision or instruction concerning use of the appliance by a person responsible for their safety. Children should be supervised to ensure that they do not play with the appliance.
- Do not operate a damaged refrigerator. Consult with the service agent if you have any concerns.
- Electrical safety of your refrigerator shall be guaranteed only if the earth system in your house complies with standards.
- Exposing the product to rain, snow, sun and wind is dangerous with respect to electrical safety.
- Contact authorized service when there is a power cable damage to avoid danger.
- Never plug the refrigerator into the wall outlet during installation. Otherwise, risk of death or serious injury may arise.
- This refrigerator is intended for only storing food items. It must not be used for any other purpose.
- Label of technical specifications is located on the left wall inside the refrigerator.
- Never connect your refrigerator to electricity-saving systems; they may damage the refrigerator.
- If there is a blue light on the refrigerator, do not look at the blue light with optical tools.
- For manually controlled refrigerators, wait for at least 5 minutes to start the refrigerator after power failure.

- This operation manual should be handed in to the new owner of the product when it is given to others.
- Avoid causing damage on power cable when transporting the refrigerator. Bending cable may cause fire. Never place heavy objects on power cable. Do not touch the plug with wet hands when plugging the product.



- Do not plug the refrigerator if the wall outlet is loose.
- Water should not be sprayed directly on inner or outer parts of the product for safety purposes.
- Do not spray substances containing inflammable gases such as propane gas near the refrigerator to avoid fire and explosion risk.
- Never place containers filled with water on top of the refrigerator, otherwise this may cause electric shock or fire.
- Do not overload your refrigerator with excessive amounts of food. If overloaded, the food items may fall down and hurt you and damage refrigerator when you open the door. Never place objects on top of the refrigerator; otherwise, these objects may fall down when you open or close the refrigerator's door.
- As they require a precise temperature, vaccines, heat-sensitive medicine and scientific materials and etc. should not be kept in the refrigerator.

- If not to be used for a long time, refrigerator should be unplugged. A possible problem in power cable may cause fire.
- The plug's tip should be cleaned regularly with a dry cloth; otherwise, it may cause fire.
- Refrigerator may move if adjustable legs are not properly secured on the floor. Properly securing adjustable legs on the floor can prevent the refrigerator to move.
- When carrying the refrigerator, do not hold it from door handle. Otherwise, it may be snapped.
- When you have to place your product next to another refrigerator or freezer, the distance between devices should be at least 8 cm. Otherwise, adjacent side walls may be humidified.
- This appliance can be used by children aged from 8 years and above and persons with reduced physical, sensory or mental capabilities or lack of experience and knowledge if they have been given supervision or instruction concerning use of the appliance in a safe way and understand the hazards involved. Children shall not play with the appliance. Cleaning and user maintenance shall not be made by children without supervision

Compliance with RoHS Directive:

- The product you have purchased complies with EU RoHS Directive (2011/65/EU). It does not contain harmful and prohibited materials specified in the Directive.

Child safety

- If the door has a lock, the key should be kept away from reach of children.
- Children must be supervised to prevent them from tampering with the product.

HCA Warning **If your product's cooling system contains R600a:**

This gas is flammable. Therefore, pay attention to not damaging the cooling system and piping during usage and transportation. In the event of damage, keep your product away from potential fire sources that can cause the product catch a fire and ventilate the room in which the unit is placed.

Ignore this warning if your product's cooling system contains R134a.

Type of gas used in the product is stated in the type plate which is on the left wall inside the refrigerator.

Never throw the product in fire for disposal.

Things to be done for energy saving

- Do not leave the doors of your refrigerator open for a long time.
- Do not put hot food or drinks in your refrigerator.
- Do not overload your refrigerator so that the air circulation inside of it is not prevented.
- Do not install your refrigerator under direct sunlight or near heat emitting appliances such as ovens, dishwashers or radiators.
- Pay attention to keep your food in closed containers.
- For products with a freezer compartment; You can store maximum amount of food items in the freezer when you remove the shelf or drawer of the freezer. Energy consumption value stated for your refrigerator has been determined by removing freezer shelf or drawer and under maximum load. There is no harm to use a shelf or drawer according to the shapes and size of food to be frozen.
- Thawing frozen food in fridge compartment will both provide energy saving and preserve the food quality.

3 Installation

⚠ In case the information which are given in the user manual are not taken into account, manufacturer will not assume any liability for this.

Points to be paid attention to when the relocation of the refrigerator

1. Your refrigerator should be unplugged. Before transportation of your refrigerator, it should be emptied and cleaned.
2. Before it is re-packaged, shelves, accessories, crisper, etc. inside your refrigerator should be fixed with adhesive tape and secured against impacts. Package should be bound with a thick tape or sound ropes and the transportation rules on the package should be strictly observed.
3. Original packaging and foam materials should be kept for future transportations or moving.

Before you start the refrigerator

Check the following before you start to use your refrigerator:

1. Is the interior of the refrigerator dry and can the air circulate freely in the rear of it?
2. Clean the interior of the refrigerator as recommended in the "Maintenance and cleaning" section.

3. Connect the plug of the refrigerator to the wall socket. When the fridge door is opened, fridge internal lamp will turn on.
4. When the compressor starts to operate, a sound will be heard. The liquid and gases sealed within the refrigeration system may also give rise to noise, even if the compressor is not running and this is quite normal.
5. Front edges of the refrigerator may feel warm. This is normal. These areas are designed to be warm to avoid condensation.

Electrical connection

Connect your product to a grounded socket which is being protected by a fuse with the appropriate capacity.

Important:

The connection must be in compliance with national regulations.

- The power plug must be easily accessible after installation.
- Electrical safety of your refrigerator shall be guaranteed only if the earth system in your house complies with standards.
- The voltage stated on the label located at left inner side of your product should be equal to your network voltage.
- **Extension cables and multi plugs must not be used for connection.**

⚠ A damaged power cable must be replaced by a qualified electrician.

⚠ Product must not be operated before it is repaired! There is the risk of electric shock!

Disposing of the packaging

The packing materials may be dangerous for children. Keep the packing materials out of the reach of children or dispose of them by classifying them in accordance with the waste instructions stated by your local authorities. Do not throw away with regular house waste, throw away on packaging pick up spots designated by the local authorities.

The packing of your refrigerator is produced from recyclable materials.

Disposing of your old refrigerator

Dispose of your old refrigerator without giving any harm to the environment.

- You may consult your authorized dealer or waste collection center of your municipality about the disposal of your refrigerator.

Before disposing of your refrigerator, cut out the electric plug and, if there are any locks on the door, make them inoperable in order to protect children against any danger.

Placing and Installation

⚠ If the entrance door of the room where the refrigerator will be installed is not wide enough for the refrigerator to pass through, then call the authorized service to have them remove the doors of your refrigerator and pass it sideways through the door.

1. Install your refrigerator to a place that allows ease of use.
2. Keep your refrigerator away from heat sources, humid places and direct sunlight.
3. There must be appropriate air ventilation around your refrigerator in order to achieve an efficient operation. If the refrigerator is to be placed in a recess in the wall, there must be at least 5 cm distance with the ceiling and at least 5 cm with the wall. Do not place your product on the materials such as rug or carpet.
4. Place your refrigerator on an even floor surface to prevent jolts.
5. Do not keep your refrigerator in ambient temperatures under 10°C

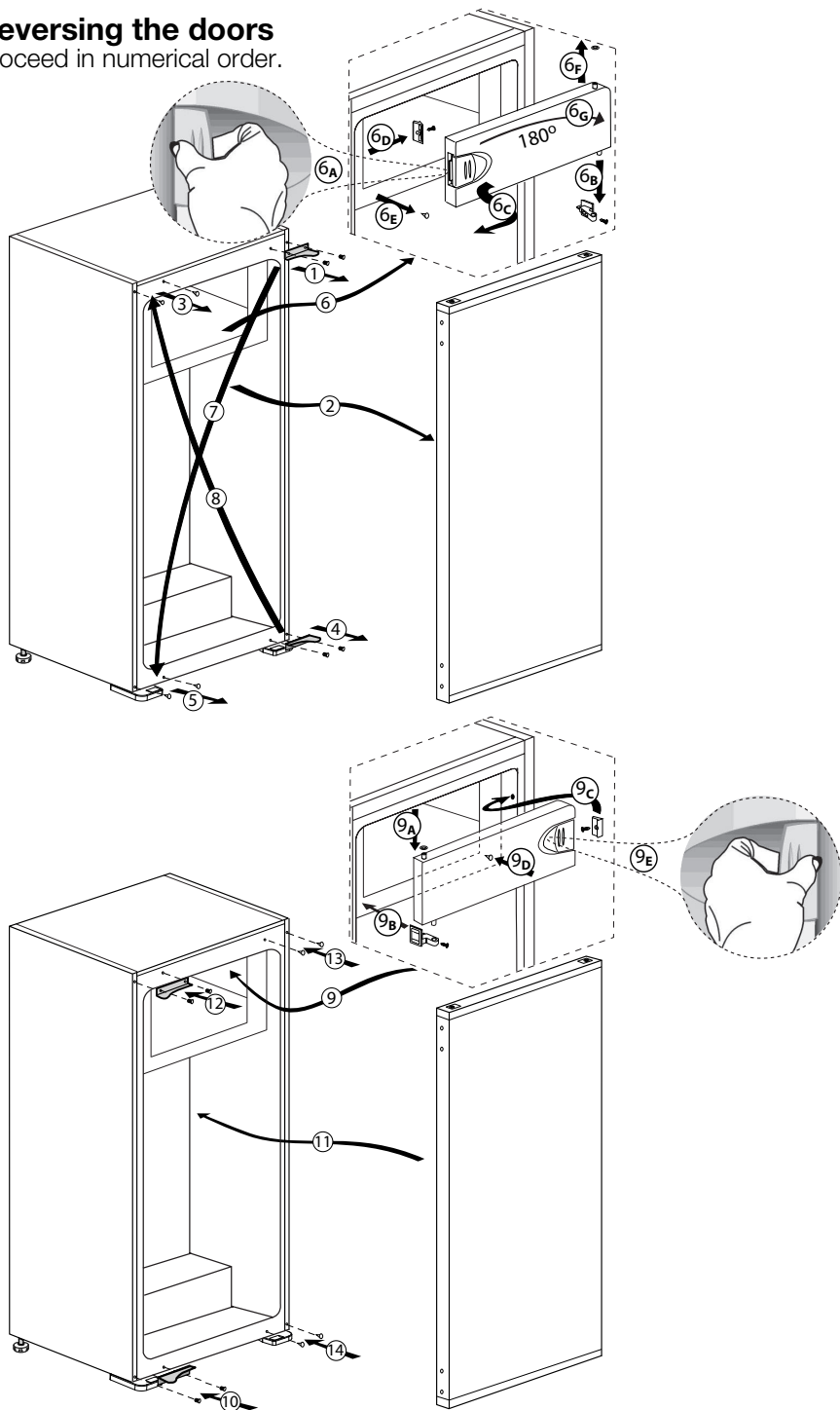
Replacing the interior lamp

To change the Bulb/LED used for illumination of your refrigerator, call your Authorised Service.

The lamp(s) used in this appliance is not suitable for household room illumination. The intended purpose of this lamp is to assist the user to place foodstuffs in the refrigerator/freezer in a safe and comfortable way. The lamps used in this appliance have to withstand extreme physical conditions such as temperatures below -20°C.

Reversing the doors

Proceed in numerical order.

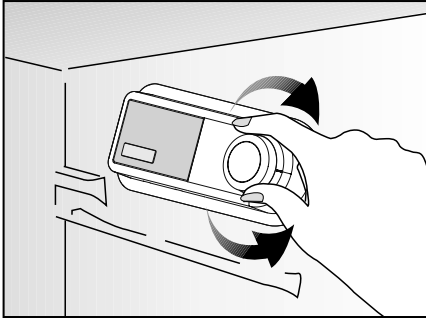


4 Preparation

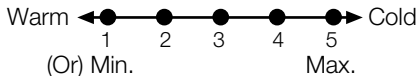
- Your refrigerator should be installed at least 30 cm away from heat sources such as hobs, ovens, central heater and stoves and at least 5 cm away from electrical ovens and should not be located under direct sunlight.
- The ambient temperature of the room where you install your refrigerator should at least be 10°C.
- Operating your refrigerator under cooler conditions than this is not recommended with regard to its efficiency.
- Please make sure that the interior of your refrigerator is cleaned thoroughly.
- When you operate your refrigerator for the first time, please observe the following instructions during the initial six hours.
- The door should not be opened frequently.
- It must be operated empty without any food in it.
- Do not unplug your refrigerator. If a power failure occurs out of your control, please see the warnings in the **“Recommended solutions for the problems”** section.
- Original packaging and foam materials should be kept for future transportations or moving.

5 Using your refrigerator

Thermostat setting button



The operating temperature is regulated by the temperature control.



**1 = Lowest cooling setting
(Warmest setting)**

**5 = Highest cooling setting
(Coldest setting)**

(Or)

**Min. = Lowest cooling setting
(Warmest setting)**

**Max. = Highest cooling setting
(Coldest setting)**

The average temperature inside the fridge should be around +5°C.

Please choose the setting according to the desired temperature.

Please note that there will be different temperatures in the cooling area.

The coldest region is immediately above the vegetable compartment.

The interior temperature also depends on ambient temperature, the frequency with which the door is opened and the amount of foods kept inside.

Frequently opening the door causes the interior temperature to rise.

For this reason, it is recommended to close the door again as soon as possible after use.

The interior temperature of your refrigerator changes for the following reasons:

- Seasonal temperatures.
- Frequent opening of the door and leaving the door open for long periods.
- Food put into the refrigerator without cooling down to the room temperature.
- The location of the refrigerator in the room (e.g. exposing to sunlight).
- You may adjust the varying interior temperature due to such reasons by using the thermostat. Numbers around the thermostat button indicates the cooling degrees.
- If the ambient temperature is higher than 32°C, turn the thermostat button to maximum position.
- If the ambient temperature is lower than 25°C, turn the thermostat button to minimum position.

Cooling

Food storage

The fridge compartment is for the short-term storage of fresh food and drinks.

Freezing

Freezing food

The freezing compartment is marked with ❄️ this symbol.

You can use the appliance for freezing fresh food as well as for storing pre-frozen food.

Please refer to the recommendations given on the packaging of your food.

Storing frozen food

The frozen food compartment is marked with ❄️ symbol.

The frozen food compartment is suitable for the storage of pre-frozen food. The recommendation for storage, as stated on the food packaging, should be observed at all times.

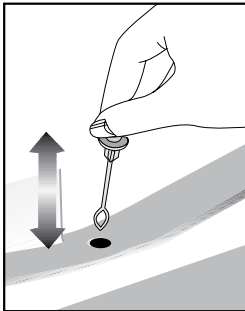
Defrost

A) Fridge compartment

Fridge compartment performs full-automatic defrosting.

Water drops and a frosting up to 7-8 mm can occur on the inner rear wall of the fridge compartment while your refrigerator cools down. Such formation is normal as a result of the cooling system. The frost formation is defrosted by performing automatic defrosting with certain intervals thanks to the automatic defrosting system of the rear wall. User is not required to scrape the frost or remove the water drops. Water resulting from the defrosting passes from the water collection groove and flows into the evaporator through the drain pipe and evaporates here by itself.

Check regularly to see if the drain pipe is clogged or not and clear it with the stick in the hole when necessary.



B) Freezer compartment

Deep freezer compartment does not perform automatic defrosting in order to prevent decaying of the frozen food.

Defrosting is very straightforward and without mess, thanks to a special defrost collection basin. Defrost twice a year or when a frost layer of around 7 (1/4") mm has formed. To start the defrosting procedure, switch off the appliance at the socket outlet and pull out the mains plug.

When you open/shut the door of the low-temperature compartment, pull the closing flap slightly (figure 1).

All food should be wrapped in several layers of newspaper and stored in a cool place (e.g. fridge or larder).

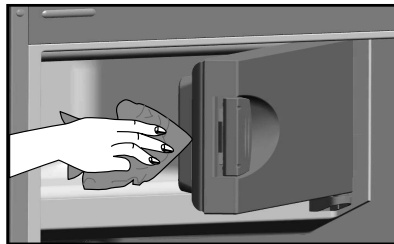
Containers of warm water may be placed carefully in the freezer to speed up the defrosting. Do not use pointed or sharp-edged objects, such as knives or forks to remove the frost. Never use hair dryers, electrical heaters or other such electrical appliances for defrosting.

Sponge out the defrost water collected in the bottom of the freezer compartment. After defrosting, dry the interior thoroughly (figure 2).

Insert the plug into the wall socket and switch on the electricity supply.



(figure 1)



(figure 2)

Stopping your product

If your thermostat is equipped with "0" position:

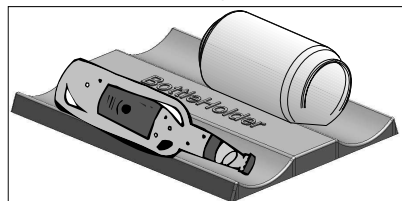
- Your product will stop operating when you turn the thermostat button to "0" (zero) position. Your product will not start unless you turn the thermostat button to position "1" or one of the other positions again.

If your thermostat is equipped with "min" position:

- Unplug your product to stop it.

Bottle holder

This accessory can be used for storing bottles or cans side by side.



6 Maintenance and cleaning

- ⚠ Never use gasoline, benzene or similar substances for cleaning purposes.
- ⚠ We recommend that you unplug the appliance before cleaning.
- ⚠ Never use any sharp abrasive instrument, soap, household cleaner, detergent and wax polish for cleaning.
- ℹ Use lukewarm water to clean the cabinet of your refrigerator and wipe it dry.
- ℹ Use a damp cloth wrung out in a solution of one teaspoon of bicarbonate of soda to one pint of water to clean the interior and wipe it dry.
- ⚠ Make sure that no water enters the lamp housing and other electrical items.
- ⚠ If your refrigerator is not going to be used for a long period of time, unplug the power cable, remove all food, clean it and leave the door ajar.
- ℹ Check door seals regularly to ensure they are clean and free from food particles.
- ⚠ To remove door racks, remove all the contents and then simply push the door rack upwards from the base.
- ⚠ Never use cleaning agents or water that contain chlorine to clean the outer surfaces and chromium coated parts of the product. Chlorine causes corrosion on such metal surfaces.

Protection of plastic surfaces

- ℹ Do not put the liquid oils or oil-cooked meals in your refrigerator in unsealed containers as they damage the plastic surfaces of your refrigerator. In case of spilling or smearing oil on the plastic surfaces, clean and rinse the relevant part of the surface at once with warm water.

7 Recommended solutions for the problems

Please review this list before calling the service. It will save your time and money. This list includes frequent complaints that are not arising from defective workmanship or material usage. Some of the features described here may not exist in your product.

The refrigerator does not operate.

- The plug is not inserted into the socket correctly. >>>Insert the plug into the socket securely.
- The fuse of the socket which your refrigerator is connected to or the main fuse have blown out. >>>Check the fuse.

Condensation on the side wall of the fridge compartment (MULTIZONE, COOL CONTROL and FLEXI ZONE).

- Ambient is very cold. >>>Do not install the refrigerator in places where the temperature falls below 10°C.
- Door has been opened frequently. >>>Do not open and close the door of refrigerator frequently.
- Ambient is very humid. >>>Do not install your refrigerator into highly humid places.
- Food containing liquid is stored in open containers. >>>Do not store food with liquid content in open containers.
- Door of the refrigerator is left ajar. >>>Close the door of the refrigerator.
- Thermostat is set to a very cold level. >>>Set the thermostat to a suitable level.

Compressor is not running.

- Protective thermic of the compressor will blow out during sudden power failures or plug-out plug-ins as the refrigerant pressure in the cooling system of the refrigerator has not been balanced yet. The refrigerator will start running approximately after 6 minutes. Please call the service if the refrigerator does not startup at the end of this period.
- The fridge is in defrost cycle. >>>This is normal for a full-automatically defrosting refrigerator. Defrosting cycle occurs periodically.
- The refrigerator is not plugged into the socket. >>>Make sure that the plug is fit into the socket.
- Temperature settings are not made correctly. >>>Select the suitable temperature value.
- There is a power outage. >>>Refrigerator returns to normal operation when the power restores.

The operation noise increases when the refrigerator is running.

- The operating performance of the refrigerator may change due to the changes in the ambient temperature. It is normal and not a fault.

The refrigerator is running frequently or for a long time.

- New product may be wider than the previous one. Larger refrigerators operate for a longer period of time.
- The room temperature may be high. >>>It is normal that the product operates for longer periods in hot ambient.
- The refrigerator might be plugged in recently or might be loaded with food. >>>When the refrigerator is plugged in or loaded with food recently, it will take longer for it to attain the set temperature. This is normal.
- Large amounts of hot food might be put in the refrigerator recently. >>>Do not put hot food into the refrigerator.
- Doors might be opened frequently or left ajar for a long time. >>>The warm air that has entered into the refrigerator causes the refrigerator to run for longer periods. Do not open the doors frequently.
- Freezer or fridge compartment door might be left ajar. >>>Check if the doors are closed completely.
- The refrigerator is adjusted to a very low temperature. >>>Adjust the refrigerator temperature to a warmer degree and wait until the temperature is achieved.
- Door seal of the fridge or freezer may be soiled, worn out, broken or not properly seated. >>>Clean or replace the seal. Damaged/broken seal causes the refrigerator to run for a longer period of time in order to maintain the current temperature.

Freezer temperature is very low while the fridge temperature is sufficient.

- The freezer temperature is adjusted to a very low value. >>>Adjust the freezer temperature to a warmer degree and check.

Fridge temperature is very low while the freezer temperature is sufficient.

- The fridge temperature is adjusted to a very low value. >>>Adjust the fridge temperature to a warmer degree and check.

Food kept in the fridge compartment drawers is frozen.

- The fridge temperature is adjusted to a very high value. >>>Adjust the fridge temperature to a lower value and check.

<p>Temperature in the fridge or freezer is very high.</p> <ul style="list-style-type: none"> • The fridge temperature is adjusted to a very high value. >>>Fridge compartment temperature setting has an effect on the temperature of the freezer. Change the temperatures of the fridge or freezer and wait until the relevant compartments attain a sufficient temperature. • Doors are opened frequently or left ajar for a long time. >>>Do not open the doors frequently. • Door is ajar. >>>Close the door completely. • The refrigerator is plugged in or loaded with food recently. >>>This is normal. When the refrigerator is plugged in or loaded with food recently, it will take longer for it to attain the set temperature. • Large amounts of hot food might be put in the refrigerator recently. >>>Do not put hot food into the refrigerator.
<p>Vibrations or noise.</p> <ul style="list-style-type: none"> • The floor is not level or stable. >>> If the refrigerator rocks when moved slowly, balance it by adjusting its feet. Also make sure that the floor is strong enough to carry the refrigerator, and level. • The items put onto the refrigerator may cause noise. >>>Remove the items on top of the refrigerator.
<p>There are noises coming from the refrigerator like liquid flowing, spraying, etc.</p> <ul style="list-style-type: none"> • Liquid and gas flows occur in accordance with the operating principles of your refrigerator. It is normal and not a fault.
<p>Whistle comes from the refrigerator.</p> <ul style="list-style-type: none"> • Fans are used in order to cool the refrigerator. It is normal and not a fault.
<p>Condensation on the inner walls of refrigerator.</p> <ul style="list-style-type: none"> • Hot and humid weather increases icing and condensation. It is normal and not a fault. • Doors are opened frequently or left ajar for a long time. >>>Do not open the doors frequently. Close them if they are open. • Door is ajar. >>>Close the door completely.
<p>Humidity occurs on the outside of the refrigerator or between the doors.</p> <ul style="list-style-type: none"> • There might be humidity in the air; this is quite normal in humid weather. When the humidity is less, condensation will disappear.
<p>Bad odour inside the refrigerator.</p> <ul style="list-style-type: none"> • No regular cleaning is performed. >>>Clean the inside of the refrigerator regularly with a sponge, lukewarm water or carbonate dissolved in water. • Some containers or package materials may cause the smell. >>>Use a different container or different brand packaging material. • Food is put into the refrigerator in uncovered containers. >>>Keep the food in closed containers. Microorganisms spreading out from uncovered containers can cause unpleasant odours. • Remove the foods that have expired best before dates and spoiled from the refrigerator.
<p>The door is not closing.</p> <ul style="list-style-type: none"> • Food packages are preventing the door from closing. >>>Replace the packages that are obstructing the door. • The refrigerator is not completely even on the floor. >>>Adjust the feet to balance the refrigerator. • The floor is not level or strong. >>>Make sure that the floor is level and capable to carry the refrigerator.
<p>Crispers are stuck.</p> <ul style="list-style-type: none"> • The food is touching the ceiling of the drawer. >>>Rearrange food in the drawer.

Bitte lesen Sie zuerst diese Anleitung!

Lieber Kunde,

Wir sind sicher, dass Ihnen dieses Produkt, das in modernsten Fertigungsstätten hergestellt und den strengsten Qualitätsprüfungen unterzogen wurde, lange Zeit gute Dienste leisten wird.




Wir empfehlen Ihnen, vor Inbetriebnahme des Gerätes das gesamte Handbuch durchzulesen und es anschließend aufzubewahren.

Diese Anleitung...

- Hilft Ihnen, Ihr Gerät schnell und sicher zu bedienen.
- Lesen Sie die Anleitung, bevor Sie Ihr Gerät aufstellen und bedienen.
- Halten Sie sich an die Anweisungen, beachten Sie insbesondere die Sicherheitshinweise.
- Bewahren Sie die Anleitung an einem leicht zugänglichen Ort auf, damit Sie jederzeit darin nachschlagen können.
- Lesen Sie auch die weiteren Dokumente, die mit Ihrem Produkt geliefert wurden.
- Bitte beachten Sie, dass diese Anleitung eventuell auch für andere Geräte eingesetzt werden kann.

Symbole und ihre Bedeutung

In dieser Anleitung finden Sie die folgenden Symbole:

-  Wichtige Informationen oder nützliche Tipps.
-  Warnung vor Verletzungen oder Sachschäden.
-  Warnung vor elektrischem Strom.



WARNUNG!

Ihr Gerät verwendet ein umweltverträgliches Kältemittel, R600a (nur unter bestimmten Umständen brennbar). Um einen einwandfreien Betrieb Ihres Gerätes sicherzustellen, beachten Sie bitte folgende Vorschriften:

- Die Luftzirkulation um das Gerät darf nicht behindert sein.
- Verwenden Sie außer der vom Hersteller empfohlenen, keine mechanischen Hilfsmittel, um den Abtauprozess zu beschleunigen.
- Der Kältemittelkreislauf darf nicht beschädigt werden.
- Verwenden Sie im Lebensmittelaufbewahrungsbereich Ihres Gerätes keine elektrischen Geräte, es sei denn, sie sind vom Hersteller empfohlen.



ANGABEN



ENERGY



SUPPLIER'S NAME

MODEL IDENTIFIER

(*)

A

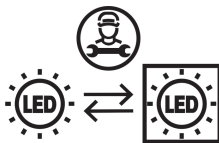
A

Die Modellinformationen, wie sie in der Produktdatenbank gespeichert sind, können durch Eingabe der folgenden Website und Suche nach Ihrer Modellkennung (*) auf dem Energieetikett erreicht werden.

<https://eprel.ec.europa.eu/>

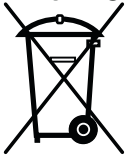
INHALT

1 Ihr Kühlschrank	3	4 Vorbereitung	10
2 Wichtige Sicherheitshinweise	4	5 Nutzung des Kühlschranks	11
Bestimmungsgemäßer Einsatz.....	4	Thermostateinstelltaste.....	11
Allgemeine Hinweise zu Ihrer Sicherheit	4	Kühlen.....	11
Einhaltung der RoHS-Richtlinie:	6	Gefrieren.....	11
Kinder – Sicherheit	6	Abtauen.....	12
HCA-Warnung.....	6	Gerät stoppen	12
Tipps zum Energiesparen	6	Flaschenhalter	12
3 Installation	7	6 Wartung und Reinigung	13
Wenn Sie den Kühlschrank versetzen möchten:.....	7	Schutz der Kunststoffflächen	13
Vor dem Einschalten	7	7 Problemlösung	14
Elektrischer Anschluss	7		
Verpackungsmaterialien entsorgen.....	8		
Aufstellung und Installation	8		
Austausch der Innenbeleuchtung	8		
Türanschlag umkehren.....	9		



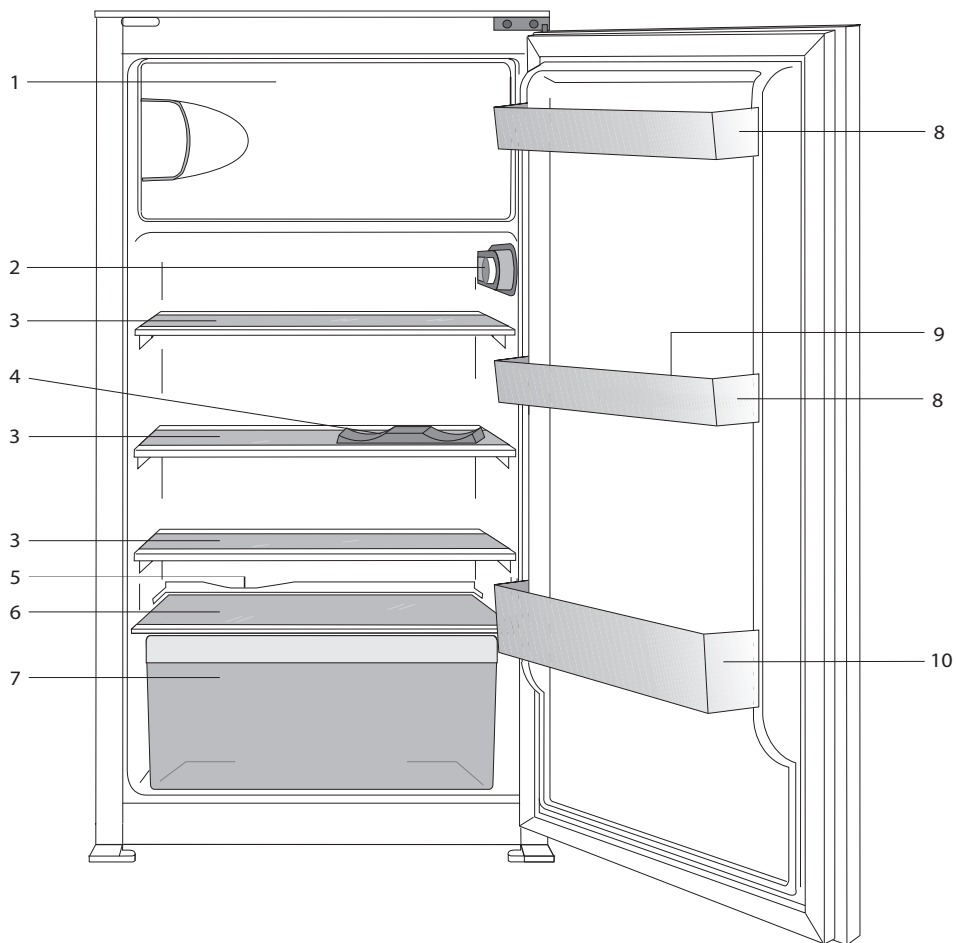
Dieses Produkt ist mit einer Lichtquelle der Energieklasse „G“ ausgestattet. Die Lichtquelle in diesem Produkt darf nur von professionellen Reparaturtechnikern ersetzt werden.

Recycling



Dieses Produkt ist mit dem selektiven Entsorgungssymbol für elektrische und elektronische Altgeräte (WEEE) gekennzeichnet. Das bedeutet, dass dieses Produkt gemäß der europäischen Richtlinie 2012/19/EU gehandhabt werden muss, um mit nur minimalen umweltspezifischen Auswirkungen recycelt oder zerlegt werden zu können. Weitere Informationen erhalten Sie von Ihren regionalen Behörden. Elektronikprodukte, die nicht durch den selektiven Entsorgungsvorgang erfasst werden, stellen durch das Vorhandensein potenziell gefährlicher Substanzen umwelt- und gesundheitsrelevante Risiken dar.

1 Ihr Kühlschrank



- 1. a) Tiefkühlfach und Eisschale
(❄ ❄ ❄ -Modelle)
b) Gefrierfach und Eisschale
(❄ ❄ -Modelle)
- 2. Innenbeleuchtung und Thermostat
- 3. Bewegliche Ablagen
- 4. Flaschenhalter
- 5. Tauwassersammelkanal - Abflusskanal
- 6. Gemüsefachabdeckung
- 7. Gemüsefach
- 8. Verstellbare Türablagen
- 9. Eierbehälter
- 10. Flaschenablagen

ⓘ Abbildungen und Angaben in dieser Anleitung sind schematisch und können etwas von Ihrem Produkt abweichen. Falls Teile nicht zum Lieferumfang des erworbenen Gerätes zählen, gelten sie für andere Modelle.

2 Wichtige Sicherheitshinweise

Bitte lesen Sie die folgenden Hinweise aufmerksam durch. Bei Nichtbeachtung dieser Angaben kann es zu Verletzungen und Sachschäden kommen. In diesem Fall erlöschen auch sämtliche Garantie- und sonstigen Ansprüche.

Originalersatzteile stehen für einen Zeitraum von 10 Jahren ab Kaufdatum zur Verfügung.

Bestimmungsgemäßer Einsatz

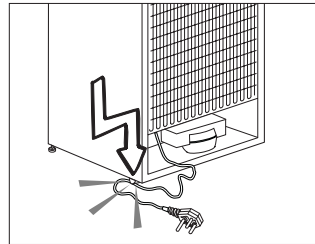
- Dieses Produkt dient dem Einsatz in:
 - Innenräumen und geschlossenen Bereichen, wie z. B. Haushalten;
- Das Gerät sollte nicht im Freien benutzt werden.

Allgemeine Hinweise zu Ihrer Sicherheit

- Wenn Sie das Gerät entsorgen möchten, wenden Sie sich am besten an den autorisierten Kundendienst. Hier erhalten Sie notwendige Informationen und erfahren, welche Stellen für die Entsorgung zuständig sind.
- Bei Problemen und Fragen zum Gerät wenden Sie sich grundsätzlich an den autorisierten Kundendienst. Ziehen Sie keine Dritten zu Rate, versuchen Sie nichts in Eigenregie, ohne den autorisierten Kundendienst davon in Kenntnis zu setzen.
- Bei Geräten mit Tiefkühlbereich: Der Verzehr von Speiseeis und Eiswürfeln unmittelbar nach der Entnahme aus dem Tiefkühlbereich ist nicht ratsam. (Dies kann zu Erfrierungen führen.)
- Bei Geräten mit Tiefkühlbereich: Bewahren Sie Getränke in Flaschen sowie Dosen niemals im Tiefkühlbereich auf. Diese platzen.

- Berühren Sie gefrorene Lebensmittel nicht mit der Hand; sie können festfrieren.
- Trennen Sie Ihren Kühlschrank vor dem Reinigen oder Abtauen vom Stromnetz.
- Verwenden Sie niemals Dampf- oder Sprühreiniger zum Reinigen und Abtauen Ihres Kühlschranks. Die Dämpfe oder Nebel können in Kontakt mit stromführenden Teilen geraten und Kurzschlüsse oder Stromschläge auslösen.
- Missbrauchen Sie niemals Teile Ihres Kühlschranks (z. B. Tür) als Befestigungen oder Kletterhilfen.
- Nutzen Sie keine elektrischen Geräte innerhalb des Kühlschranks.
- Achten Sie darauf, den Kühlkreislauf keinesfalls mit Bohr- oder Schneidwerkzeugen zu beschädigen. Das Kühlmittel kann herauspritzen, wenn die Gaskanäle des Verdunsters, Rohr- und Schlauchleitungen oder Oberflächenversiegelungen beschädigt werden. Dies kann zu Hautreizungen und Augenverletzungen führen.
- Decken Sie keinerlei Belüftungsöffnungen des Kühlschranks ab.
- Elektrische Geräte dürfen nur von autorisierten Fachkräften repariert werden. Reparaturen durch weniger kompetente Personen können erhebliche Gefährdungen des Anwenders verursachen.
- Sollten Fehler oder Probleme während der Wartung oder Reparaturarbeiten auftreten, so trennen Sie den Kühlschrank von der Stromversorgung, indem Sie die entsprechende Sicherung abschalten oder den Netzstecker ziehen.
- Ziehen Sie niemals am Netzkabel – ziehen Sie direkt am Stecker.

- Lagern Sie hochprozentige alkoholische Getränke gut verschlossen und aufrecht.
- Bewahren Sie niemals Sprühdosen mit brennbaren und explosiven Substanzen im Kühlschrank auf.
- Nutzen Sie keine mechanischen oder anderen Hilfsmittel, um das Gerät abzutauen – es sei denn, solche Hilfsmittel werden ausdrücklich vom Hersteller empfohlen.
- Dieses Produkt darf nicht von Personen (einschließlich Kindern) mit eingeschränkten physischen, sensorischen oder geistigen Fähigkeiten bedient werden, sofern sie nicht durch eine Person, die für ihre Sicherheit verantwortlich ist, in der Bedienung des Produktes angeleitet werden.
- Nehmen Sie einen beschädigten Kühlschrank nicht in Betrieb. Wenden Sie sich bei jeglichen Zweifeln an einen Kundendienstmitarbeiter.
- Die elektrische Sicherheit des Gerätes ist nur dann gewährleistet, wenn das hausinterne Erdungssystem den zutreffenden Normen entspricht.
- Setzen Sie das Gerät keinem Regen, Schnee, direktem Sonnenlicht oder Wind aus; dies kann die elektrische Sicherheit gefährden.
- Wenden Sie sich zur Vermeidung von Gefahren an den autorisierten Kundendienst, falls das Netzkabel beschädigt ist.
- Stecken Sie während der Installation niemals den Netzstecker ein. Andernfalls kann es zu schweren bis tödlichen Verletzungen kommen.
- Dieser Kühlschrank dient nur der Aufbewahrung von Lebensmitteln. Für andere Zwecke sollte er nicht verwendet werden.
- Das Etikett mit den technischen Daten befindet sich an der linken Innenwand des Kühlschranks.
- Schließen Sie Ihren Kühlschrank niemals an energiesparende Systeme an; dies kann den Kühlschrank beschädigen.
- Falls der Kühlschrank über ein blaues Licht verfügt, blicken Sie nicht mit optischen Werkzeugen in das blaue Licht.
- Bei manuell gesteuerten Kühlschränken warten Sie mindestens 5 Minuten, bevor Sie den Kühlschrank nach einem Stromausfall wieder einschalten.
- Falls Sie das Gerät an einen anderen Besitzer weitergeben, vergessen Sie nicht, die Bedienungsanleitung ebenfalls auszuhändigen.
- Achten Sie darauf, dass das Netzkabel beim Transport des Kühlschranks nicht beschädigt wird. Übermäßiges Biegen des Kabels birgt Brandgefahr. Platzieren Sie keine schweren Gegenstände auf dem Netzkabel.



- Berühren Sie den Netzstecker niemals mit feuchten oder gar nassen Händen.
- Schließen Sie den Kühlschrank nicht an lose Steckdosen an.
- Sprühen Sie aus Sicherheitsgründen niemals Wasser auf die Innen- und Außenflächen des Gerätes.
- Sprühen Sie keine Substanzen mit brennbaren Gasen, wie z. B. Propangas, in die Nähe des Kühlschranks; andernfalls bestehen Brand- und Explosionsgefahr.
- Stellen Sie keine mit Wasser gefüllten Gegenstände auf den Kühlschrank; dies birgt Brand- und Stromschlaggefahr.
- Überladen Sie das Gerät nicht mit Lebensmitteln. Wenn das Gerät überladen ist, können beim Öffnen der Kühlschranktür Lebensmittel herausfallen und Verletzungen verursachen.

- Stellen Sie keinesfalls Gegenstände auf den Kühlschrank; sie könnten beim Öffnen oder Schließen der Kühlschranktür herunterfallen.
- Materialien wie beispielsweise Impfstoffe, wärmeempfindliche Arznei, wissenschaftliche Proben usw. sollten nicht im Kühlschrank aufbewahrt werden, da sie bei exakt festgelegten Temperaturen gelagert werden müssen.
- Trennen Sie den Kühlschrank vom Stromnetz, wenn er längere Zeit nicht benutzt wird. Ein mögliches Problem im Netzkabel kann einen Brand auslösen.
- Die Steckerkontakte sollten regelmäßig mit einem trockenen Tuch gereinigt werden; andernfalls besteht Brandgefahr.
- Wenn die höhenverstellbaren Füße nicht sicher auf dem Boden stehen, kann sich der Kühlschrank bewegen. Die angemessene Sicherung der höhenverstellbaren Füße am Boden kann eine Bewegung des Kühlschranks verhindern.
- Halten Sie den Kühlschrank beim Tragen nicht am Türgriff. Andernfalls könnte er abbrechen.
- Wenn Sie Ihr Produkt neben einem anderen Kühl- oder Gefrierschrank aufstellen möchten, sollte der Abstand zwischen beiden Geräten mindestens 8 cm betragen. Andernfalls können die benachbarten Seitenwände feucht werden.

Einhaltung der RoHS-Richtlinie:

- Das von Ihnen gekaufte Gerät entspricht der RoHS-Richtlinie der EU (2011/65/EU). Es enthält keinerlei Materialien, die gemäß der Richtlinie als schädlich oder verboten gelten.

Kinder – Sicherheit

- Bei abschließbaren Türen bewahren Sie den Schlüssel außerhalb der Reichweite von Kindern auf.
- Achten Sie darauf, dass Kinder nicht mit dem Produkt spielen.

HCA-Warnung

Falls das Kühlsystem Ihres Produktes R600a enthält:

Dieses Gas ist leicht entflammbar.

Achten Sie also darauf, Kühlkreislauf und Leitungen während Betrieb und Transport nicht zu beschädigen.

Bei Beschädigungen halten Sie das Produkt von potenziellen Zündquellen (z. B. offenen Flammen) fern und sorgen für eine gute Belüftung des Raumes, in dem das Gerät aufgestellt wurde.

Ignorieren Sie diese Warnung, falls das Kühlsystem Ihres Produktes R134a enthält.

Die Art des im Gerät eingesetzten Gases wird auf dem Typenschild an der linken Innenwand des Kühlschranks angegeben. Entsorgen Sie das Produkt keinesfalls durch Verbrennen.

Tipps zum Energiesparen

- Halten Sie die Kühlschranktüren nur möglichst kurz geöffnet.
- Geben Sie keine warmen Speisen oder Getränke in den Kühlschrank.
- Überladen Sie den Kühlschrank nicht; die Luft muss frei zirkulieren können.
- Stellen Sie den Kühlschrank nicht im direkten Sonnenlicht oder in der Nähe von Wärmequellen wie Öfen, Spülmaschinen oder Heizkörpern auf. Halten Sie den Kühlschrank mindestens 30 cm von Wärmequellen und mindestens 5 cm von elektrischen Öfen entfernt.
- Achten Sie darauf, Ihre Lebensmittel in verschlossenen Behältern aufzubewahren.
- Bei Geräten mit Tiefkühlbereich: Sie können noch mehr Lebensmittel einlagern, wenn Sie die Ablage oder Schublade aus dem Tiefkühlbereich herausnehmen. Der für Ihren Kühlschrank angegebene Energieverbrauch wurde nach dem Entfernen der Ablage oder Schublade und bei maximaler Beladung bestimmt. Ansonsten ist es Ihnen freigestellt, die Ablage oder Schublade zu verwenden.
- Das Auftauen von gefrorenen Lebensmitteln im Kühlbereich ist energiesparend und bewahrt die Qualität der Lebensmittel.

3 Installation

⚠ Der Hersteller haftet nicht, falls die Angaben in dieser Anleitung nicht berücksichtigt werden.

Wenn Sie den Kühlschrank versetzen möchten

1. Ziehen Sie zuvor den Netzstecker. Der Kühlschrank sollte geleert und gesäubert werden, bevor Sie ihn transportieren oder versetzen.
2. Sichern Sie die beweglichen Teile im Inneren (z. B. Ablagen, Zubehör, Gemüsefach etc.) vor dem Verpacken mit Klebeband, schützen Sie solche Teile vor Stößen. Umwickeln Sie die Verpackung mit kräftigem Klebeband oder stabilen Schnüren, beachten Sie die Transporthinweise auf der Verpackung.
3. Originalverpackung und Schaumstoffmaterialien sollten zum zukünftigen Transport des Gerätes aufbewahrt werden.

Vor dem Einschalten

Beachten Sie Folgendes, bevor Sie Ihren Kühlschrank benutzen:

1. Ist der Innenraum des Kühlschranks trocken, kann die Luft frei an der Rückseite zirkulieren?
2. Reinigen Sie das Innere des Kühlschranks wie im Abschnitt „Wartung und Reinigung“ beschrieben.

3. Schließen Sie den Netzstecker des Kühlschranks an eine Steckdose an. Beim Öffnen der Tür leuchtet die Innenbeleuchtung auf.
4. Beim Anspringen des Kompressors sind Geräusche zu hören. Die Flüssigkeiten und Gase im Kühlsystem können auch leichte Geräusche erzeugen, wenn der Kompressor nicht läuft. Dies ist völlig normal.
5. Die Vorderkanten des Kühlgerätes können sich warm anfühlen. Dies ist normal. Diese Bereiche wärmen sich etwas auf, damit sich kein Kondenswasser bildet.

Elektrischer Anschluss

Schließen Sie das Gerät an eine geerdete (Schuko-) Steckdose an. Diese Steckdose muss mit einer passenden Sicherung abgesichert werden.

Wichtig:

- Der Anschluss muss gemäß lokaler Vorschriften erfolgen.
- Der Netzstecker muss nach der Installation frei zugänglich bleiben.
- Die elektrische Sicherheit des Gerätes ist nur dann gewährleistet, wenn das hausinterne Erdungssystem den zutreffenden Normen entspricht.
- Die auf dem Typenschild an der linken Innenwand des Gerätes angegebene Spannung muss mit Ihrer Netzspannung übereinstimmen.
- **Zum Anschluss dürfen keine Verlängerungskabel oder Mehrfachsteckdosen verwendet werden.**

- ⚠ Ein beschädigtes Netzkabel muss unverzüglich durch einen qualifizierten Elektriker ausgetauscht werden.
- ⚠ Das Gerät darf vor Abschluss der Reparaturen nicht mehr betrieben werden! Es besteht Stromschlaggefahr!

Verpackungsmaterialien entsorgen

Das Verpackungsmaterial kann eine Gefahr für Kinder darstellen. Halten Sie Verpackungsmaterialien von Kindern fern oder entsorgen Sie das Verpackungsmaterial gemäß gültigen Entsorgungsbestimmungen. Entsorgen Sie das Verpackungsmaterial über geeignete Sammelstellen (Ihre Stadtverwaltung informiert Sie gerne), nicht über den regulären Hausmüll.

Die Verpackung Ihres Gerätes wurde aus recyclingfähigen Materialien hergestellt.

Aufstellung und Installation

⚠ Falls die Tür des Raumes, in dem der Kühlschrank aufgestellt werden soll, nicht breit genug ist, wenden Sie sich an den autorisierten Kundendienst, lassen die Kühlschranktüren demontieren und befördern das Gerät seitlich durch die Tür.

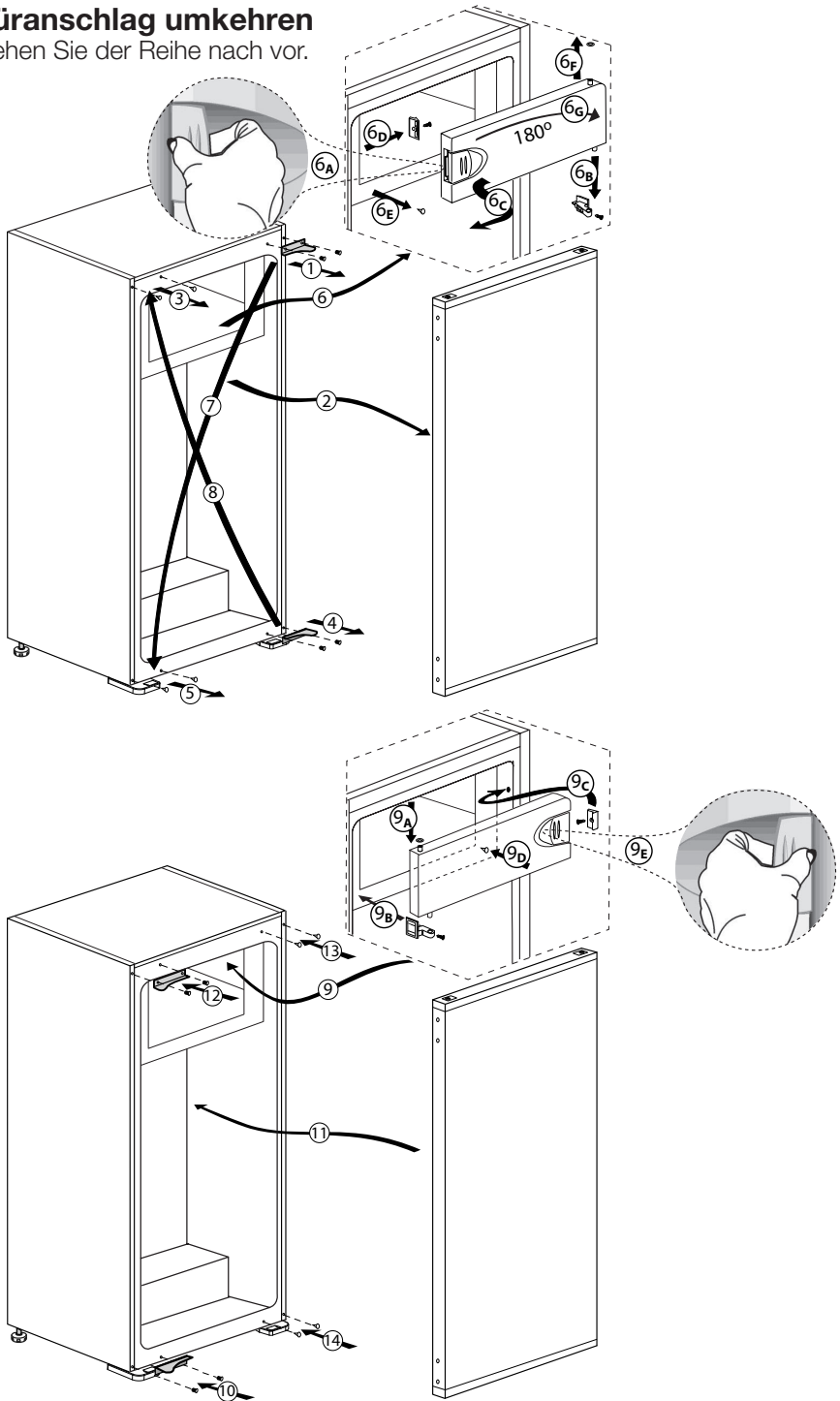
1. Stellen Sie Ihren Kühlschrank an einer gut erreichbaren Stelle auf.
2. Platzieren Sie den Kühlschrank nicht in der Nähe von Wärmequellen oder dort, wo er Feuchtigkeit oder direktem Sonnenlicht ausgesetzt ist.
3. Damit das Gerät richtig arbeiten kann, müssen Sie ausreichend Platz um das Gerät herum freilassen, damit eine ordentliche Belüftung gewährleistet ist. Wenn Sie den Kühlschrank in einer Nische aufstellen, müssen Sie einen Abstand von mindestens 5 cm zur Decke und 5 cm zu den Wänden einhalten. Stellen Sie das Gerät nicht auf Materialien wie Teppichen oder Teppichböden auf.
4. Stellen Sie Ihren Kühlschrank auf einem ebenen Untergrund auf, damit er nicht wackelt.
5. Stellen Sie den Kühlschrank nicht an Stellen auf, an denen Temperaturen von weniger als 10°C herrschen.

Austausch der Innenbeleuchtung

Die Innenbeleuchtung Ihres Kühlschranks sollte ausschließlich vom autorisierten Kundendienst ausgetauscht werden. Die Glühbirnen für dieses Haushaltsgerät sind für Beleuchtungszwecke nicht geeignet. Die beabsichtigte Aufgabe dieser Lampe ist es den Benutzer zu ermöglichen die Plazierung der Lebensmittel in den Kühlschrank / Eiskühltruhe sicher und bequem vorzunehmen. Die in diesem Gerät verwendeten Lampen müssen extremen physikalischen Bedingungen, wie z. B. Temperaturen von -20°C, standhalten.

Türanschlag umkehren

Gehen Sie der Reihe nach vor.

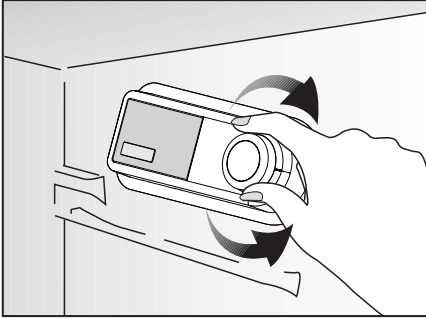


4 Vorbereitung

- i** Ihr Kühlschrank sollte mindestens 30 cm von Hitzequellen wie Kochstellen, Öfen, Heizungen, Herden und ähnlichen Einrichtungen aufgestellt werden. Halten Sie mindestens 5 cm Abstand zu Elektroöfen ein, vermeiden Sie die Aufstellung im direkten Sonnenlicht.
- i** Die Zimmertemperatur des Raumes, in dem der Kühlschrank aufgestellt wird, sollte mindestens 10°C betragen. Im Hinblick auf den Wirkungsgrad ist der Betrieb des Kühlschranks bei geringerer Umgebungstemperatur nicht ratsam.
- i** Sorgen Sie dafür, dass das Innere Ihres Kühlschranks gründlich gereinigt wird.
- i** Falls zwei Kühlschränke nebeneinander aufgestellt werden sollen, achten Sie darauf, dass sie mindestens 2 cm voneinander entfernt platziert werden.
- i** Wenn Sie den Kühlschrank zum ersten Mal in Betrieb nehmen, halten Sie sich bitte an die folgenden Anweisungen für die ersten sechs Betriebsstunden.
 - Die Kühlschranktür sollte nicht zu häufig geöffnet werden.
 - Der Kühlschrank muss zunächst vollständig leer arbeiten.
 - Ziehen Sie nicht den Netzstecker. Falls der Strom ausfallen sollte, beachten Sie die Warnhinweise im Abschnitt „Problemlösung“.
- i** Originalverpackung und Schaumstoffmaterialien sollten zum zukünftigen Transport des Gerätes aufbewahrt werden.

5 Nutzung des Kühlschranks

Thermostateinstelltaste



Die Betriebstemperatur wird über die Temperatursteuerung reguliert.



1 = Schwächste Kühlung (wärmste Einstellung)

5 = Stärkste Kühlung (kälteste Einstellung)

(Oder)

Min. = Schwächste Kühlung
(wärmste Einstellung)

Max. = Stärkste Kühlung
(kälteste Einstellung)

Die Durchschnittstemperatur im Inneren des Kühlschranks sollte bei etwa $+5^{\circ}\text{C}$ liegen. Bitte wählen Sie die der gewünschten Temperatur entsprechende Einstellung.

Bitte beachten Sie, dass im Kühlbereich unterschiedliche Temperaturen herrschen. Der kälteste Bereich befindet sich unmittelbar über dem Gemüsefach.

Die Innentemperatur hängt auch von der Umgebungstemperatur ab, außerdem davon, wie oft die Tür geöffnet wird und wie viel Lebensmittel im Inneren gelagert werden. Beim häufigen Öffnen der Tür steigt die Innentemperatur an. Aus diesem Grund empfehlen wir, die Tür möglichst schnell wieder zu schließen.

Die Innentemperatur Ihres Kühlschranks hängt teilweise von folgenden Einflüssen ab:

- Umgebungstemperatur.
- Häufigkeit der Türöffnungen, Offenstehen der Tür über längere Zeit.
- Einlagern von Lebensmitteln, ohne diese zuvor auf Raumtemperatur abkühlen zu lassen.
- Platzierung des Kühlschranks innerhalb des Raumes (z. B. im direkten Sonnenlicht).
- Zum Anpassen der Innentemperatur an solche Einflüsse benutzen Sie das Thermostat. Die Zahlen rund um die Thermostateinstelltaste zeigen die Kühlungsleistung an.
- Falls die Umgebungstemperatur mehr als 32°C beträgt, wählen Sie die höchstmögliche Thermostateinstellung.
- Sofern die Umgebungstemperatur weniger als 25°C beträgt, wählen Sie die geringste Thermostateinstellung.

Kühlen

Lagern von Lebensmitteln

Der Kühlbereich ist für die kurzfristige Lagerung von frischen Lebensmitteln und Getränken vorgesehen.

Gefrieren

Einfrieren von Lebensmitteln

Der Gefrierbereich ist mit dem Symbol **✳️***** gekennzeichnet.

In Ihrem Gerät können Sie frische Nahrungsmittel einfrieren und auch bereits gefrorene Lebensmittel lagern.

Bitte beachten Sie dazu die Empfehlungen auf der Verpackung der Lebensmittel.

Lagerung von Tiefkühlkost

Der Tiefkühlbereich ist mit dem Symbol **✳️❄️** gekennzeichnet.

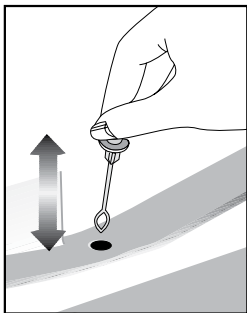
Im Tiefkühlbereich können Sie vorgefrorene Lebensmittel lagern. Die Lagerungsempfehlungen auf der Lebensmittelverpackung sollten immer eingehalten werden.

Abtauen

A) Kühlbereich

Der Kühlbereich taut vollautomatisch ab. Im Betrieb können sich Wassertropfen und eine 7 – 8 mm starke Eisschicht an der Innenwand des Kühlbereiches absetzen. Dies ist vollkommen normal und ein Nebeneffekt des Kühlungs-systems. Dank des automatischen Abtausystems an der Rückwand wird das Eis in bestimmten Abständen automatisch abgetaut. Weder Eis noch Wassertropfen müssen manuell entfernt werden. Beim Abtauen läuft das Tauwasser in die Ablaufrinne und fließt anschließend zum Verdampfer - hier verdunstet das Wasser automatisch.

Überzeugen Sie sich regelmäßig davon, dass der Ablauf nicht verstopft ist; beseitigen Sie eventuelle Verstopfungen mit dem Stäbchen.



B) Tiefkühlbereich

Der Tiefkühlbereich wird nicht automatisch abgetaut, da es ansonsten schnell zum Verderben gefrorener Lebensmittel kommen könnte. Dank einer speziellen Tauwasser Sammelschale ist das Abtauen einfach und nicht mit Verunreinigungen verbunden. Tauen Sie zweimal jährlich ab, oder wenn die Eisschicht auf etwa 7 mm angewachsen ist. Um den Abtauprozess zu starten, schalten Sie das Gerät am Steckdosenschalter aus und ziehen den Stecker aus der Steckdose.

Ziehen Sie beim Öffnen/Schließen des faches etwas an der Schließklappe (Abb. 1).

Sämtliche Lebensmittel sollten in mehrere Lagen Papier eingewickelt und an einem kalten Ort (z. B. Kühlschrank oder Speisekammer) gelagert werden. Um den Abtauvorgang zu beschleunigen, können Sie Schüsseln mit warmem Wasser in das Gerät stellen.

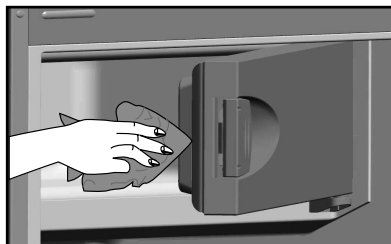
Verwenden Sie keine spitzen oder scharfen Gegenstände (wie Messer oder Gabeln) zum Entfernen der Eisschicht.

Verwenden Sie niemals Haartrockner, elektrische Heizgeräte oder ähnliches zum Beschleunigen des Abtauvorgangs.

Wischen Sie das Tauwasser, welches sich am Boden des Tiefkühlbereiches ansammelt, mit einem Schwamm auf. Trocknen Sie nach Beendigung des Abtauens die Innenseiten gut ab (Abb. 2). Stecken Sie den Netzstecker wieder in die Steckdose, schalten Sie die Stromzufuhr wieder ein.



(Abb. 1)



(Abb. 2)

Gerät stoppen

Bei Thermostaten mit 0-Position:

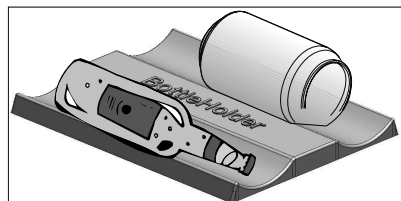
- Ihr Gerät stoppt, wenn Sie den Thermostatknopf in die 0-Position drehen. Das Gerät läuft erst dann wieder an, wenn Sie den Thermostatknopf wieder auf 1 oder eine höhere Position einstellen.

Bei Thermostaten mit „min“-Position:

- Bitte ziehen Sie zum Abschalten den Netzstecker.

Flaschenhalter

Dieses Zubehörteil kann verwendet werden von Flaschen oder Dosen nebeneinander aufnehmen.



6 **Wartung und Reinigung**

- ⚠ Verwenden Sie zu Reinigungszwecken niemals Benzin oder ähnliche Substanzen.
- ⚠ Wir empfehlen, vor dem Reinigen den Netzstecker zu ziehen.
- ℹ Verwenden Sie zur Reinigung niemals scharfe Gegenstände, Seife, Haushaltsreiniger, Waschmittel oder Wachspolituren.
- ℹ Reinigen Sie das Gehäuse des Gerätes mit lauwarmem Wasser, wischen Sie die Flächen danach trocken.
- ⚠ Zur Reinigung des Innenraums verwenden Sie ein feuchtes Tuch, das Sie in eine Lösung aus 1 Teelöffel Natron und einem halben Liter Wasser getaucht und ausgewrungen haben. Nach dem Reinigen wischen Sie den Innenraum trocken.
- ⚠ Achten Sie darauf, dass kein Wasser in das Lampengehäuse oder andere elektrische Komponenten eindringt.
- ⚠ Wenn Ihr Kühlgerät längere Zeit nicht benutzt wird, ziehen Sie den Netzstecker, nehmen alle Lebensmittel heraus, reinigen das Gerät und lassen die Türe geöffnet.
- ℹ Kontrollieren Sie die Türdichtungen regelmäßig, um sicherzustellen, dass diese sauber und frei von Speiseresten sind.
- ℹ Zum Entfernen einer Türablage räumen Sie sämtliche Gegenständen aus der Ablage und schieben diese dann nach oben heraus.

- ℹ Verwenden Sie zur Reinigung der Außenflächen und Chrombeschichteten Produktteile niemals Reinigungsmittel oder Wasser, die/das Chlor enthält. Chlor lässt Metalloberflächen korrodieren.

Schutz der Kunststoffflächen

- ℹ Geben Sie keine Öle oder stark fetthaltige Speisen offen in Ihren Kühlschrank / Gefrierschrank – dadurch können die Kunststoffflächen angegriffen werden. Sollten die Plastikoberflächen einmal mit Öl in Berührung kommen, so reinigen Sie die entsprechend Stellen umgehend mit warmem Wasser.

7 Problemlösung

Bitte arbeiten Sie diese Liste durch, bevor Sie den Kundendienst anrufen. Das kann Ihnen Zeit und Geld sparen. In der Liste finden Sie häufiger auftretende Probleme, die nicht auf Verarbeitungs- oder Materialfehler zurückzuführen sind. Nicht alle hier beschriebenen Funktionen sind bei jedem Modell verfügbar.

Der Kühlschrank arbeitet nicht.

- Ist der Kühlschrank richtig angeschlossen? Stecken Sie den Netzstecker in die Steckdose.
- Ist die entsprechende Haussicherung herausgesprungen oder durchgebrannt? Überprüfen Sie die Sicherung.

Kondensation an den Seitenwänden des Kühlbereiches. (Multizone, Kühlkontrolle und FlexiZone).

- Sehr geringe Umgebungstemperaturen. Häufiges Öffnen und Schließen der Tür. Sehr feuchte Umgebung. Offene Lagerung von feuchten Lebensmitteln. Tür nicht richtig geschlossen. Kühlere Thermostateinstellung wählen.
- Türen kürzer geöffnet halten oder seltener öffnen.
- Offene Behälter abdecken oder mit einem geeigneten Material einwickeln.
- Kondensation mit einem trockenen Tuch entfernen und überprüfen, ob diese erneut auftritt.

Der Kompressor läuft nicht.

- Eine Schutzschaltung stoppt den Kompressor bei kurzzeitigen Unterbrechungen der Stromversorgung und wenn das Gerät zu oft und schnell ein- und ausgeschaltet wird, da der Druck des Kühlmittels eine Weile lang ausgeglichen werden muss. Ihr Kühlschrank beginnt nach etwa sechs Minuten wieder zu arbeiten. Bitte wenden Sie sich an den Kundendienst, falls Ihr Kühlschrank nach Ablauf dieser Zeit nicht wieder zu arbeiten beginnt.
- Der Kühlschrank taut ab. Dies ist bei einem vollautomatisch abtauernden Kühlschrank völlig normal. Das Gerät taut von Zeit zu Zeit ab.
- Der Netzstecker ist nicht eingesteckt. Überprüfen Sie, ob das Gerät richtig angeschlossen ist.
- Stimmen die Temperatureinstellungen?
- Eventuell ist der Strom ausgefallen.

Der Kühlschrank arbeitet sehr intensiv oder über eine sehr lange Zeit.

- Ihr neues Gerät ist vielleicht etwas breiter als sein Vorgänger. Dies ist völlig normal. Große Kühlgeräte arbeiten oft längere Zeit.
- Die Umgebungstemperatur ist eventuell sehr hoch. Dies ist völlig normal.
- Das Kühlgerät wurde möglicherweise erst vor kurzem in Betrieb genommen oder mit Lebensmitteln gefüllt. Es kann einige Stunden länger dauern, bis der Kühlschrank seine Arbeitstemperatur erreicht hat.
- Kurz zuvor wurden größere Mengen warmer Speisen im Kühlschrank eingelagert. Heiße Speisen führen dazu, dass der Kühlschrank etwas länger arbeiten muss, bis die geeignete Temperatur zur sicheren Lagerung erreicht ist.
- Türen wurden häufig geöffnet oder längere Zeit nicht richtig geschlossen. Der Kühlschrank muss länger arbeiten, weil warme Luft in den Innenraum eingedrungen ist. Öffnen Sie die Türen möglichst selten.
- Die Tür des Kühl- oder Tiefkühlbereichs war nur angelehnt. Vergewissern Sie sich, dass die Türen richtig geschlossen wurden.
- Die Kühlschranktemperatur ist sehr niedrig eingestellt. Stellen Sie die Kühlschranktemperatur höher ein und warten Sie, bis die gewünschte Temperatur erreicht ist.
- Die Türdichtungen von Kühl- oder Gefrierbereich sind verschmutzt, verschlissen, beschädigt oder sitzen nicht richtig. Reinigen oder ersetzen Sie die Dichtung. Beschädigte oder defekte Dichtungen führen dazu, dass der Kühlschrank länger arbeiten muss, um die Temperatur halten zu können.

Die Temperatur im Tiefkühlbereich ist sehr niedrig, während die Temperatur im Kühlbereich normal ist.

- Die Tiefkühltemperatur ist sehr niedrig eingestellt. Stellen Sie die Gefrierfachtemperatur wärmer ein und prüfen Sie.

Die Temperatur im Kühlbereich ist sehr niedrig, während die Temperatur im Tiefkühlbereich normal ist.

- Die Kühltemperatur ist eventuell sehr niedrig eingestellt. Stellen Sie die Kühlbereichtemperatur wärmer ein und prüfen Sie.

Im Kühlbereich gelagerte Lebensmittel frieren ein.

- Die Kühltemperatur ist eventuell sehr niedrig eingestellt. Stellen Sie die Kühlbereichtemperatur wärmer ein und prüfen Sie.

Die Temperatur im Kühl- oder Tiefkühlbereich ist sehr hoch.
<ul style="list-style-type: none"> Die Temperatur des Kühlbereichs ist eventuell sehr hoch eingestellt. Die Einstellung des Kühlbereichs beeinflusst die Temperatur im Tiefkühlbereich. Stellen Sie den Kühl- oder Tiefkühlbereich auf die gewünschte Temperatur ein. Türen wurden häufig geöffnet oder längere Zeit nicht richtig geschlossen; weniger häufig öffnen. Die Tür wurde eventuell nicht richtig geschlossen; Tür richtig schließen. Kurz zuvor wurden größere Mengen warmer Speisen im Kühlschrank eingelagert. Warten Sie, bis der Kühl- oder Tiefkühlbereich die gewünschte Temperatur erreicht. Der Kühlschrank war kurz zuvor von der Stromversorgung getrennt. Ihr Kühlschrank braucht einige Zeit, um sich auf die gewünschte Temperatur abzukühlen.
Das Betriebsgeräusch nimmt zu, wenn der Kühlschrank arbeitet.
<ul style="list-style-type: none"> Das Leistungsverhalten des Kühlgerätes kann sich je nach Umgebungstemperatur ändern. Dies ist völlig normal und keine Fehlfunktion.
Vibrationen oder Betriebsgeräusche.
<ul style="list-style-type: none"> Der Boden ist nicht eben oder nicht fest. Der Kühlschrank wackelt, wenn er etwas bewegt wird. Achten Sie darauf, dass der Boden eben ist und das Gewicht des Kühlschranks problemlos tragen kann. Das Geräusch kann durch auf dem Kühlschrank abgestellte Gegenstände entstehen. Nehmen Sie abgestellte Gegenstände vom Kühlschrank herunter.
Fließ- oder Spritzgeräusche sind zu hören.
<ul style="list-style-type: none"> Aus technischen Gründen bewegen sich Flüssigkeiten und Gase innerhalb des Gerätes. Dies ist völlig normal und keine Fehlfunktion.
Windähnliche Geräusche sind zu hören.
<ul style="list-style-type: none"> Zum gleichmäßigen Kühlen werden Ventilatoren eingesetzt. Dies ist völlig normal und keine Fehlfunktion.
Kondensation an den Kühlschrankinnenflächen.
<ul style="list-style-type: none"> Bei heißen und feuchten Wetterlagen tritt verstärkt Eisbildung und Kondensation auf. Dies ist völlig normal und keine Fehlfunktion. Die Türen wurden eventuell nicht richtig geschlossen; Türen komplett schließen. Türen wurden häufig geöffnet oder längere Zeit nicht richtig geschlossen; weniger häufig öffnen.
Feuchtigkeit sammelt sich an der Außenseite des Kühlschranks oder an den Türen.
<ul style="list-style-type: none"> Eventuell herrscht hohe Luftfeuchtigkeit; dies ist je nach Wetterlage völlig normal. Die Kondensation verschwindet, sobald die Feuchtigkeit abnimmt.
Unangenehmer Geruch im Kühlschrankinnenraum.
<ul style="list-style-type: none"> Das Innere des Kühlschranks muss gereinigt werden. Reinigen Sie das Innere des Kühlschranks mit einem Schwamm, den Sie mit lauwarmem oder kohlenensäurehaltigem Wasser angefeuchtet haben. Bestimmte Behälter oder Verpackungsmaterialien verursachen den Geruch. Verwenden Sie andere Behälter oder Verpackungsmaterial einer anderen Marke.
Die Tür wurde nicht richtig geschlossen.
<ul style="list-style-type: none"> Lebensmittelpackungen verhindern eventuell das Schließen der Tür. Entfernen Sie die Verpackungen, welche die Tür blockieren. Der Kühlschrank steht nicht mit sämtlichen Füßen fest auf dem Boden und schaukelt bei kleinen Bewegungen. Stellen Sie die Höheneinstellschrauben ein. Der Boden ist nicht eben oder nicht stabil genug. Achten Sie darauf, dass der Boden eben ist und das Gewicht des Kühlschranks problemlos tragen kann.
Das Gemüsefach klemmt.
<ul style="list-style-type: none"> Die Lebensmittel berühren eventuell den oberen Teil der Schublade. Ordnen Sie die Lebensmittel in der Schublade anders an.

Veillez d'abord lire la notice d'utilisation !

Chère cliente, cher client,

Nous espérons que votre produit, qui a été fabriqué dans des usines modernes et vérifié au terme des procédures de contrôle de qualité les plus méticuleuses, vous rendra satisfaction.




Pour cette raison, nous vous conseillons de lire attentivement tout le manuel d'utilisation de votre produit avant de vous en servir, et de le conserver ensuite pour une utilisation ultérieure.

Le présent manuel

- Vous aidera à utiliser votre produit avec rapidité et sécurité.
- Lisez le manuel avant d'installer et de faire fonctionner votre produit.
- Respectez les instructions, notamment celles relatives à la sécurité.
- Conservez ce manuel dans un endroit facilement accessible car vous pouvez en avoir besoin ultérieurement.
- En plus, lisez également les autres documents fournis avec votre produit.
- Veuillez noter que ce manuel peut également être valide pour d'autres modèles.

Symboles et descriptions

Vous retrouverez les symboles suivants dans le présent manuel:

-  Informations importantes ou astuces.
-  Avertissement relatif aux conditions dangereuses pour la vie et la propriété.
-  Avertissement relatif à la tension électrique.



ATTENTION!

Pour assurer un fonctionnement normal de votre appareil qui utilise un agent frigorigère écologique, R600a (infammable seulement sous certaines conditions) vous devez respecter les règles suivantes:

- N'empêchez pas la libre circulation de l'air autour de l'appareil.
- N'utilisez pas des dispositifs mécaniques pour accélérer le dégivrage, autres que ceux recommandés par le fabricant.
- Ne détruisez pas le circuit frigorigère.
- N'utilisez pas des appareils électriques à l'intérieur du compartiment pour conserver les aliments, hormis celles qui sont éventuellement recommandés par le fabricant.

INFORMATIONS

	ENERGY 	
<small>SUPPLIER'S NAME</small>	<small>MODEL IDENTIFIER</small>	<small>(*)</small>
A	A	

Vous pouvez accéder aux informations relatives au modèle telles que sauvegardées dans la base de données des produits en entrant le site internet suivant et en recherchant l'identifiant de votre modèle (*) qui se trouve sur la vignette énergie

<https://eprel.ec.europa.eu/>

TABLE DES MATIÈRES

1 Votre réfrigérateur **3** 4 Préparation **10**

2 Précautions de sécurité importantes **4** 5 Utilisation du réfrigérateur **11**

Utilisation préconisée.....	4
Sécurité générale.....	4
Conformité avec la directive LdSD:	6
Sécurité enfants.....	6
Avertissement sur l'usage des fluides frigorigènes	6
Mesures d'économie d'énergie.....	6

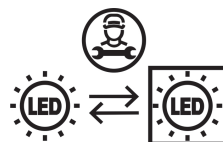
Bouton de réglage du thermostat	11
Réfrigération	11
Congélation	11
Décongélation	12
Eteindre le produit	12
Porte-bouteille	12

3 Installation **7** 6 Entretien et nettoyage **13**

Éléments à prendre en considération lors du déménagement de votre réfrigérateur	7
Avant de mettre votre réfrigérateur en marche	7
Branchement électrique.....	7
Mise au rebut de l'emballage	8
Mise au rebut de votre ancien réfrigérateur	8
Disposition et Installation	8
Remplacement de l'ampoule intérieure	8
Réversibilité des portes.....	9

Protection des surfaces en plastique	13
--	----

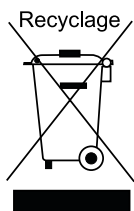
7 Dépannage **14**



Cet appareil est doté d'une source d'éclairage de classe énergétique "G". Seuls des réparateurs qualifiés sont autorisés à procéder au remplacement de la source d'éclairage de cet appareil.

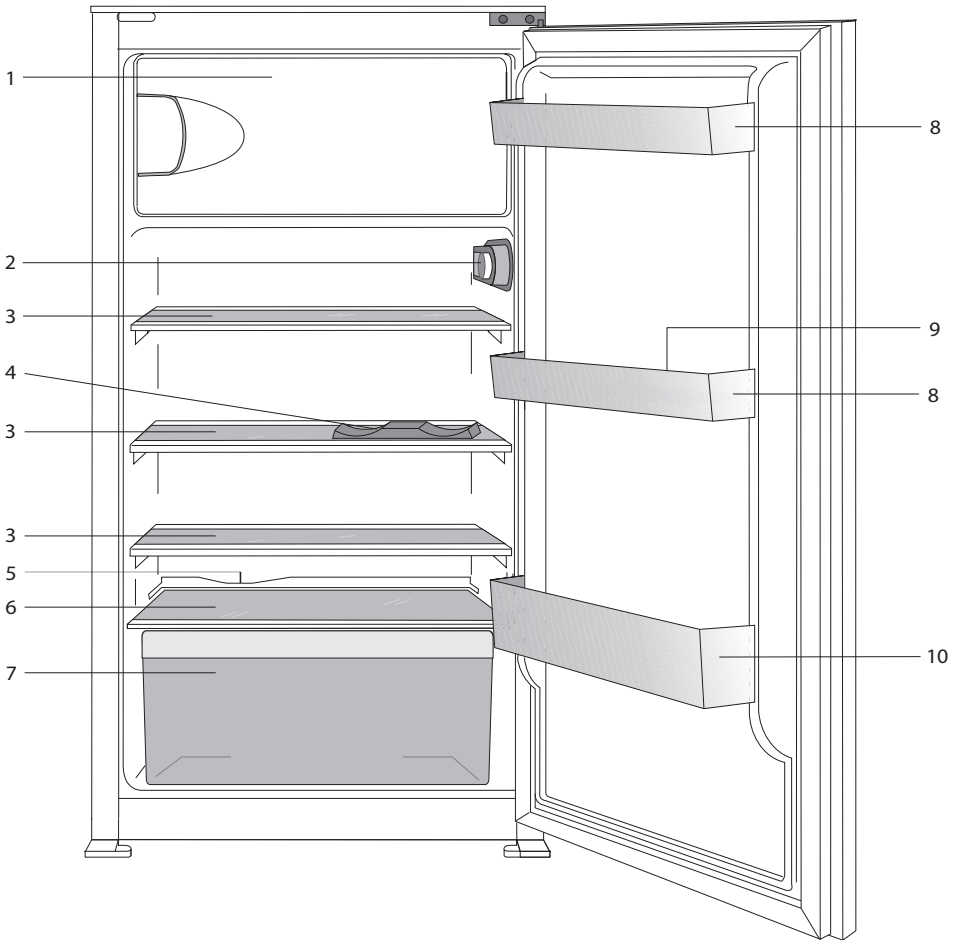


Points de collecte sur www.quefairede mesdechets.fr
Privilégiez la réparation ou le don de votre appareil !



Ce produit est marqué du symbole du tri sélectif, relatif aux déchets d'équipements électriques et électroniques. Cela signifie que ce produit doit être pris en charge par un système de collecte sélectif conformément à la directive européenne 2012/19/EU, afin de pouvoir être recyclé ou démantelé dans le but de réduire tout impact sur l'environnement. Attention les produits électroniques n'ayant pas fait l'objet d'un tri sélectif sont potentiellement dangereux pour l'environnement et la santé humaine en raison de la présence potentielle de substances dangereuses.

1 Votre réfrigérateur



1. a.) Compartiment de congélation & bac à glaçons (pour les modèles **✱ ✱ ✱ ✱**)
b.) Compartiment pour aliments congelés & bac à glaçons (pour les modèles **✱ ✱**)
2. Ampoule et boîtier de thermostat
3. Clayettes en verre
4. Porte-bouteille
5. Voie de récupération de l'eau de dégivrage - tube d'écoulement
6. Couverture du bac à légumes
7. Bac à légumes
8. Balconnets réglables
9. Casier à œufs
10. Balconnet range-bouteilles

i Les illustrations présentées dans cette notice d'utilisation sont schématiques et peuvent ne pas correspondre exactement à votre produit. Si des pièces présentées ne sont pas comprises dans le produit que vous avez acheté, elles sont valables pour d'autres modèles.

2 Précautions de sécurité importantes

Veillez examiner les informations suivantes: Le non respect de ces consignes peut entraîner des blessures ou dommages matériels. Sinon, tout engagement lié à la garantie et à la fiabilité du produit devient invalide.

Les pièces détachées d'origine sont disponibles pendant 10 ans, à compter de la date d'achat du produit.

Utilisation préconisée

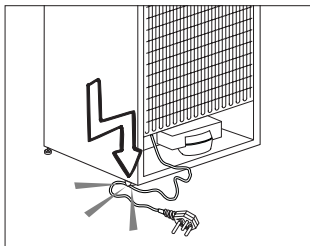
- Ce produit est prévu pour une utilisation:
 - en intérieur et dans des zones fermées telles que les maisons;
 - dans les environnements de travail fermés, tels que les magasins et les bureaux;
 - dans les lieux d'hébergement fermés, tels que les fermes, hôtels, pensions.
- Il ne doit pas être utilisé en extérieur.

Sécurité générale

- Avant de vous débarrasser de votre appareil, veuillez consulter les autorités locales ou votre revendeur pour connaître le mode opératoire et les organismes de collecte agréés.
- Consultez le service après-vente agréé concernant toutes questions ou problèmes relatifs au réfrigérateur. N'intervenez pas ou ne laissez personne intervenir sur le réfrigérateur sans le communiquer au service après-vente agréé.
- Pour les produits équipés d'un compartiment congélateur: ne mangez pas de cônes de crème glacée ou des glaçons immédiatement après les avoir sortis du compartiment de congélation ! (Cela pourrait provoquer des engelures dans votre bouche).

- Pour les produits équipés d'un compartiment congélateur: ne placez pas de boissons en bouteille ou en cannette dans le compartiment de congélation. Cela peut entraîner leur éclatement.
- Ne touchez pas des produits congelés avec les mains, ils pourraient se coller à celles-ci.
- Débranchez votre réfrigérateur avant de le nettoyer ou de le dégivrer.
- La vapeur et des matériaux de nettoyage pulvérisés ne doivent jamais être utilisés pour les processus de nettoyage ou de dégivrage de votre réfrigérateur. La vapeur pourrait pénétrer dans les pièces électriques et provoquer des courts-circuits ou des électrocutions.
- Ne jamais utiliser les pièces de votre réfrigérateur telles que la porte, comme un support ou une marche.
- N'utilisez pas d'appareils électriques à l'intérieur du réfrigérateur.
- N'endommagez pas les pièces où circule le liquide réfrigérant avec des outils de forage ou coupants. Le liquide réfrigérant qui pourrait s'échapper si les canalisations de gaz de l'évaporateur, les rallonges de tuyau ou les revêtements de surface étaient percés, peut irriter la peau et provoquer des blessures aux yeux.
- Ne pas couvrir ou obstruer les orifices de ventilation du réfrigérateur.
- Les appareils électriques peuvent être réparés seulement par des personnes autorisées. Les réparations réalisées par des personnes ne présentant pas les compétences requises peuvent présenter un risque pour l'utilisateur.
- En cas de dysfonctionnement ou lors d'opérations d'entretien ou de réparation, débranchez l'alimentation électrique du réfrigérateur soit en désactivant le fusible correspondant, soit en débranchant l'appareil.
- Ne tirez pas sur le câble lorsque vous débranchez la prise.

- Placez les boissons alcoolisées verticalement, dans des récipients convenablement fermés.
- Ne conservez jamais des aérosols contenant des substances inflammables et explosives dans le réfrigérateur.
- N'utilisez pas d'outils mécaniques ou autres dispositifs pour accélérer le processus de décongélation autres que ceux qui sont recommandés par le fabricant.
- Cet appareil peut être utilisé par des enfants âgés d'au moins 8 ans et par des personnes ayant des capacités physiques, sensorielles ou mentales réduites ou dénuées d'expérience ou de connaissance, s'ils (si elles) sont correctement surveillé(es) ou si des instructions relatives à l'utilisation de l'appareil en toute sécurité leur ont été données et si les risques encourus ont été appréhendés. Les enfants ne doivent pas jouer avec l'appareil. Le nettoyage et l'entretien par l'utilisateur doivent pas être effectués par des enfants sans surveillance.
- Ne faites pas fonctionner un réfrigérateur endommagé. Consultez le service agréé en cas de problème.
- La sécurité électrique du réfrigérateur n'est assurée que si le système de mise à la terre de votre domicile est conforme aux normes en vigueur.
- L'exposition du produit à la pluie, la neige, au soleil ou au vent présente des risques concernant la sécurité électrique.
- Contactez le service agréé quand un câble d'alimentation est endommagé pour éviter tout danger.
- Ne branchez jamais le réfrigérateur à la prise murale au cours de l'installation. Vous vous exposeriez à un risque de mort ou à de blessures graves.
- Ce réfrigérateur est conçu seulement pour conserver des aliments. Par conséquent, il ne doit pas être utilisé à d'autres fins.
- L'étiquette avec les caractéristiques techniques est située sur le mur gauche à l'intérieur du réfrigérateur.
- Ne branchez jamais votre réfrigérateur à des systèmes d'économie d'énergie, cela peut l'endommager.
- S'il y a une lumière bleue sur le réfrigérateur, ne la regardez pas avec des outils optiques.
- Pour les réfrigérateurs contrôlés manuellement, attendez au moins 5 minutes pour allumer le réfrigérateur après une coupure de courant.
- Si cet appareil venait à changer de propriétaire, n'oubliez pas de remettre la présente notice d'utilisation au nouveau bénéficiaire.
- Évitez d'endommager le câble d'alimentation quand vous transportez le réfrigérateur. Tordre le câble peut entraîner un incendie. Ne placez jamais d'objets lourds sur le câble d'alimentation.



- Évitez de toucher à la prise avec des mains mouillées au moment de brancher l'appareil.
- Évitez de brancher le réfrigérateur lorsque la prise de courant électrique a lâché.
- Pour des raisons de sécurité, évitez de pulvériser directement de l'eau sur les parties externes et internes du réfrigérateur.
- Ne pulvérisez pas de substances contenant des gaz inflammables comme du propane près du réfrigérateur pour éviter tout risque d'incendie et d'explosion.
- Ne placez jamais de récipients contenant de l'eau sur votre réfrigérateur, ils pourraient causer des chocs électriques ou un incendie.
- Évitez de surcharger le réfrigérateur avec une quantité excessive d'aliments. S'il est surchargé, les aliments peuvent tomber, vous blesser et endommager le réfrigérateur quand vous ouvrez la porte.
- Ne placez jamais d'objets au-dessus du réfrigérateur, ils pourraient tomber quand vous ouvrez ou fermez la porte du réfrigérateur.

- Les produits qui nécessitent un contrôle de température précis (vaccin, médicament sensible à la chaleur, matériels scientifiques, etc.) ne doivent pas être conservés dans le réfrigérateur.
- Si le réfrigérateur n'est pas utilisé pendant longtemps, il doit être débranché. Un problème avec le câble d'alimentation pourrait causer un incendie.
- Le bout de la prise électrique doit être nettoyé régulièrement à l'aide d'un chiffon sec, sinon il peut provoquer un incendie.
- Le réfrigérateur peut bouger si ses pieds réglables ne sont pas bien fixés sur le sol. Bien fixer les pieds réglables sur le sol peut empêcher le réfrigérateur de bouger.
- Quand vous transportez le réfrigérateur, ne le tenez pas par la poignée de la porte. Cela peut l'endommager.
- Quand vous devez placer votre produit près d'un autre réfrigérateur ou congélateur, la distance entre les appareils doit être d'au moins 8 cm. Sinon, les murs adjacents peuvent être humidifiés.

Conformité avec la directive LdSD:

- L'appareil que vous avez acheté est conforme à la directive RoHS (2011/65/UE) de l'UE. Il ne comporte pas de matériaux dangereux et interdits mentionnés dans la Directive.

Sécurité enfants

- Si la porte a un verrouillage, la clé doit rester hors de portée des enfants.
- Les enfants doivent être surveillés et empêchés de s'amuser avec le produit.

Avertissement sur l'usage des fluides frigorigènes

Si le système de refroidissement de votre appareil contient R600a:

Ce gaz est inflammable. Par conséquent, veuillez prendre garde à ne pas endommager le système de refroidissement et les tuyauteries lors de son utilisation ou de son transport.

En cas de dommages, éloignez votre produit de toute source potentielle de flammes susceptible de provoquer l'incendie de l'appareil. De même, placez le produit dans une pièce aérée.

Ne tenez pas compte de cet avertissement si le système de refroidissement de votre appareil contient R134a.

Le type de gaz utilisé dans l'appareil est mentionné sur la plaque signalétique située sur la paroi gauche de l'intérieur du réfrigérateur.

Ne jetez jamais l'appareil au feu pour vous en débarrasser.

Mesures d'économie d'énergie

- Ne laissez pas les portes du réfrigérateur ouvertes pendant une durée prolongée.
- N'introduisez pas de aliments ou de boissons chaudes dans le réfrigérateur.
- Ne surchargez pas le réfrigérateur pour ne pas obstruer pas la circulation d'air à l'intérieur.
- N'installez pas le réfrigérateur à la lumière directe du soleil ou près d'appareil émettant de la chaleur tels qu'un four, un lave-vaisselle ou un radiateur. Maintenez une distance d'au moins 30 cm entre votre réfrigérateur et toute source de chaleur, et à une distance de 5 cm d'un four électrique.
- Veillez à conserver vos aliments dans des récipients fermés.
- Pour les produits équipés d'un compartiment congélateur: vous pouvez conserver une quantité maximale d'aliments dans le congélateur quand vous enlevez l'étagère ou le tiroir du congélateur. La consommation d'énergie précisée pour votre réfrigérateur a été déterminée en enlevant l'étagère ou le tiroir du congélateur et avec la charge maximale. Il n'y a aucun risque à utiliser une étagère ou un tiroir en fonction des formes et tailles des aliments à congeler.
- La décongélation des aliments dans le compartiment réfrigérateur permet de faire des économies d'énergie et de préserver la qualité des aliments.

3 Installation

⚠ Dans l'hypothèse où l'information contenue dans ce manuel n'a pas été prise en compte par l'utilisateur, le fabricant ne sera aucunement responsable en cas de problèmes.

Éléments à prendre en considération lors du déménagement de votre réfrigérateur

1. Votre réfrigérateur doit être débranché.
2. Avant le transport de votre réfrigérateur, vous devez le vider et le nettoyer. Avant d'emballer votre réfrigérateur, vous devez fixer ses étagères, bac, accessoires, etc., avec du ruban adhésif afin de les protéger contre les chocs.
3. L'emballage doit être solidement attaché avec du ruban adhésif épais ou avec un cordage solide. La règlementation en matière de transport et de marquage de l'emballage doit être strictement respectée.
4. L'emballage et les matériaux de protection d'emballage doivent être conservés pour les éventuels transports ou déplacements à venir.

Avant de mettre votre réfrigérateur en marche

Vérifiez les points suivants avant de commencer à utiliser votre réfrigérateur:

1. L'intérieur du réfrigérateur est sec et l'air peut circuler librement à l'arrière?

2. Nettoyez l'intérieur du réfrigérateur tel qu'indiqué dans la section « Entretien et nettoyage ».
3. Insérez la prise du réfrigérateur dans la prise murale. Lorsque la porte du réfrigérateur est ouverte, la lampe interne du réfrigérateur s'éclaire.
4. Lorsque le compresseur commence à fonctionner, il émettra un son. Le liquide et les gaz intégrés au système du réfrigérateur peuvent également faire du bruit, que le compresseur soit en marche ou non. Ceci est tout à fait normal.
5. Les parties antérieures du réfrigérateur peuvent chauffer. Ce phénomène est normal. Ces zones doivent en principe être chaudes pour éviter tout risque de condensation.

Branchement électrique

Branchez votre réfrigérateur à une prise électrique protégée par un fusible ayant une capacité appropriée.

Important:

- Le branchement doit être conforme aux normes en vigueur sur le territoire national.
- La fiche du câble d'alimentation doit être facilement accessible après installation.
- La sécurité électrique du réfrigérateur n'est assurée que si le système de mise à la terre de votre domicile est conforme aux normes en vigueur.
- La tension indiquée sur l'étiquette située sur la paroi gauche interne de votre produit doit correspondre à celle fournie par votre réseau électrique.
- **Les rallonges et multiprises ne doivent pas être utilisés pour brancher l'appareil.**

⚠ Un câble d'alimentation endommagé doit être remplacé par un électricien qualifié.

⚠ L'appareil ne doit pas être mis en service avant d'être réparé ! Cette précaution permet d'éviter tout risque de choc électrique!

Mise au rebut de l'emballage

Les matériaux d'emballage peuvent être dangereux pour les enfants. Tenez les matériaux d'emballage hors de portée des enfants ou jetez-les conformément aux consignes établies par les autorités locales en matière de déchets. Ne les jetez pas avec les déchets domestiques, déposez-les dans les centres de collecte désignés par les autorités locales.

L'emballage de votre appareil est produit à partir de matériaux recyclables.

Mise au rebut de votre ancien réfrigérateur

Débarrassez-vous de votre ancien réfrigérateur sans nuire à l'environnement.

- Vous pouvez consulter le service après-vente agréé ou le centre chargé de la mise au rebut dans votre municipalité pour en savoir plus sur la mise au rebut de votre produit.

Avant de procéder à la mise au rebut de votre machine, coupez la prise électrique et, le cas échéant, tout verrouillage susceptible de se trouver sur la porte. Rendez-les inopérants afin de ne pas exposer les enfants à d'éventuels dangers.

Disposition et Installation

⚠ Si la porte d'entrée de la pièce où sera installé le réfrigérateur n'est pas assez large pour laisser passer le réfrigérateur, appelez le service après-vente qui retirera les portes du réfrigérateur et le fera entrer latéralement dans la pièce.

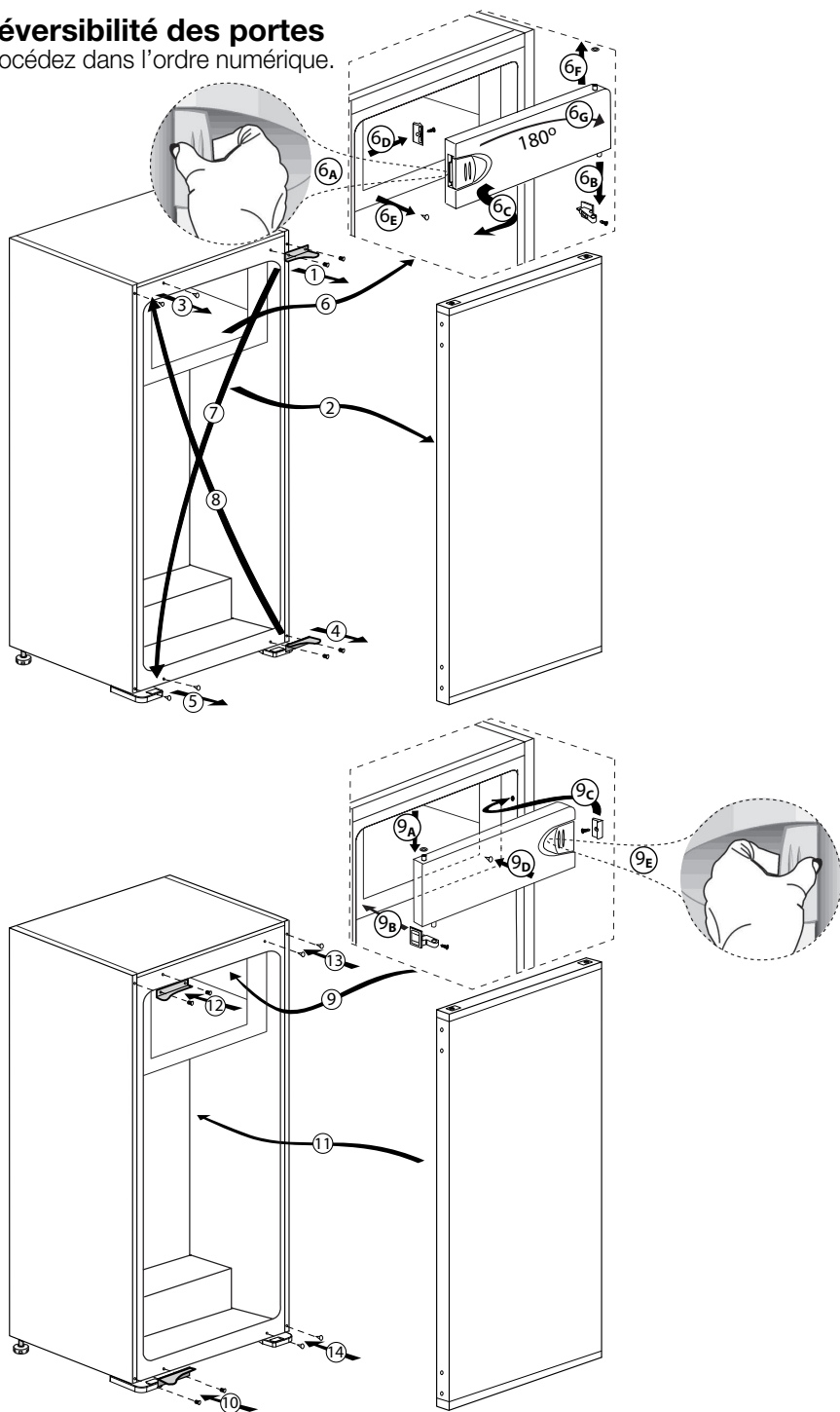
1. Installez le réfrigérateur dans un emplacement qui permette une utilisation pratique.
2. Maintenez le réfrigérateur éloigné de toutes sources de chaleur, des endroits humides et de la lumière directe du soleil.
3. Une ventilation d'air autour du réfrigérateur doit être aménagée pour obtenir un fonctionnement efficace. Si le réfrigérateur est placé dans un enfoncement du mur, il doit y avoir un espace d'au moins 5 cm avec le plafond et d'au moins 5 cm avec le mur. Ne placez pas l'appareil sur des revêtements tels qu'un tapis ou de la moquette.
4. Placez le réfrigérateur sur une surface plane afin qu'il soit stable.
5. N'exposez pas le réfrigérateur à des températures ambiantes inférieures à 10°C.

Remplacement de l'ampoule intérieure

Pour remplacer l'ampoule LED du réfrigérateur, veuillez contacter le service après-vente agréé. L'ampoule (s) utilisé dans cet appareil ne convient pas pour l'éclairage de la cuisine. Le but visé par cette ampoule est d'aider à l'utilisateur de placer les aliments dans le réfrigérateur / congélateur d'une manière sûre et confortable. Les voyants utilisés dans cet appareil doivent résister aux conditions physiques extrêmes telles que des températures inférieures à -20°C.

Réversibilité des portes

Procédez dans l'ordre numérique.

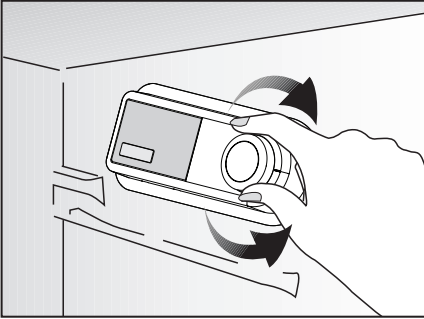


4 Préparation

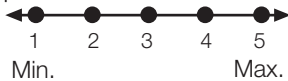
- Votre congélateur / réfrigérateur doit être installé à au moins 30 cm des sources de chaleur telles que les plaques de cuisson, les fours, appareils de chauffage ou cuisinières, et à au moins 5 cm des fours électriques. De même, il ne doit pas être exposé à la lumière directe du soleil.
- Veuillez vous assurer que l'intérieur de votre appareil est soigneusement nettoyé.
- La température ambiante de la pièce où vous installez le congélateur / réfrigérateur doit être d'au moins 10°C. Faire fonctionner l'appareil sous des températures inférieures n'est pas recommandé et pourrait nuire à son efficacité.
- Si deux congélateur / réfrigérateurs sont installés côte à côte, ils doivent être séparés par au moins 2 cm.
- Lorsque vous faites fonctionner le congélateur / réfrigérateur pour la première fois, assurez-vous de suivre les instructions suivantes pendant les six premières heures.
- La porte ne doit pas être ouverte fréquemment.
- Le congélateur / réfrigérateur doit fonctionner à vide, sans aliments à l'intérieur.
- Ne débranchez pas le congélateur / réfrigérateur. Si une panne de courant se produit, veuillez vous reporter aux avertissements dans la section « Dépannage ».
- L'emballage et les matériaux de protection d'emballage doivent être conservés pour les éventuels transports ou déplacements à venir.

5 Utilisation du réfrigérateur

Bouton de réglage du thermostat



La température de fonctionnement est réglée à l'aide de la commande de température.



1 = Réglage de réfrigération le plus faible (Réglage le moins froid)

5 = Réglage de réfrigération le plus fort (Réglage le plus froid)

(Ou)

Min. = Réglage de réfrigération le plus faible (Réglage le moins froid)

Max. = Réglage de réfrigération le plus fort (Réglage le plus froid)

La température médiane à l'intérieur du réfrigérateur doit être proche de +5°C. Veuillez choisir le réglage en fonction de la température désirée. Vous remarquerez qu'il y a plusieurs températures différentes dans la zone de réfrigération. La zone la plus froide est située directement au-dessous du bac à légumes. La température intérieure est également fonction de la température ambiante, la fréquence d'ouverture de la porte et la quantité de aliments stockés à l'intérieur.

Si la porte est ouverte fréquemment, la température intérieure monte. Pour cette raison, il est recommandé de refermer la porte aussitôt que possible après utilisation.

La température intérieure de votre réfrigérateur change pour les raisons suivantes:

- Températures saisonnières.
- Ouverture fréquente de la porte et porte laissée ouverte pendant de longues périodes.
- Aliments introduites dans le réfrigérateur sans réduction à la température ambiante.
- Emplacement du réfrigérateur dans la pièce (par ex. exposition à la lumière directe du soleil).
- Vous pouvez régler les différentes températures intérieures dues à de telles raisons en utilisant le thermostat. Les numéros entourant le bouton du thermostat indiquent le niveau de refroidissement.
- Si la température ambiante est supérieure à 32°C, réglez le bouton du thermostat à la position maximale.
- Si la température ambiante est inférieure à 25°C, réglez le bouton du thermostat à la position minimale.

Réfrigération

Conservation des aliments

Le compartiment réfrigérateur est destiné à la conservation à court terme d'aliments frais et de boissons.

Congélation

Congeler les aliments

Le compartiment de congélation porte ce symbole *** ** ***.

Vous pouvez utiliser cet appareil pour congeler des aliments fraîches ainsi que pour stocker des aliments surgelées.

Veuillez vous référer aux recommandations indiquées sur l'emballage de votre aliment.

Conservation des aliments surgelées

Le compartiment des aliments congelés porte le symbole **(* *)**.

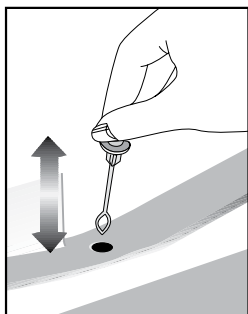
Le compartiment des aliments congelés est destiné au stockage de aliments surgelées. La recommandation de conservation, indiquée sur l'emballage des aliments, doit toujours être respectée.

Décongélation

A) Compartiment réfrigérateur

Le compartiment réfrigérateur se dégivre automatiquement. De l'eau s'écoule et une couche de givre pouvant atteindre 7-8 mm peut se former sur la paroi arrière interne du compartiment du réfrigérateur pendant le processus de refroidissement. Cette formation est normale, provoquée par le système de refroidissement. La formation de givre peut être supprimée par le dégivrage automatique qui s'active régulièrement grâce au système de dégivrage de la paroi arrière. L'utilisateur n'a pas besoin d'éliminer le givre ou les gouttes d'eau manuellement. L'eau générée par le dégivrage s'écoule dans la rainure de collecte de l'eau et passe dans l'évaporateur par le tuyau de vidange où elle s'évapore.

Vérifiez régulièrement le tuyau de vidange pour vous assurer qu'il n'est pas obstrué et débouchez-le en introduisant un bâton dans le trou si nécessaire.



B) Compartiment congélateur

Le compartiment du surgélateur ne réalise pas de dégivrage automatique pour empêcher la détérioration des aliments congelés. Le dégivrage est très simple et sans encombre grâce au bac spécial de récupération de l'eau de dégivrage. Dégivrez deux fois par an ou lorsque la couche de givre atteint environ 7 mm (1/4"). Pour procéder au dégivrage, déconnectez l'appareil et débranchez la prise d'alimentation.

Quand vous ouvrez/fermez la porte du compartiment de basse température, tirez légèrement par le volet (figure 1).

Emballer les aliments dans plusieurs couches de papier journal et stockez-les dans un endroit frais (réfrigérateur ou cellier par exemple).

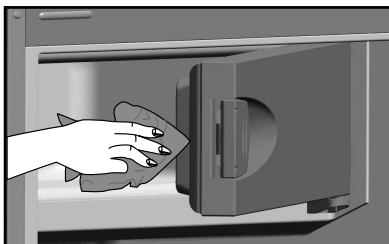
Des récipients d'eau chaude peuvent être placés avec précaution dans le congélateur pour accélérer le dégivrage.

N'utilisez pas d'objets pointus ou tranchants tels que couteaux ou fourchettes pour enlever le givre. N'utilisez jamais de sèche-cheveux, radiateurs électriques ou autres appareils électriques similaires pour dégivrer. Epongez l'eau de dégivrage située au fond du compartiment congélateur. Une fois le dégivrage terminé, séchez soigneusement l'intérieur (figure 2).

Branchez l'appareil à la prise murale et rétablissez l'alimentation électrique.



(figure 1)



(figure 2)

Eteindre le produit

Si la position « 0 » se trouve sur votre thermostat:

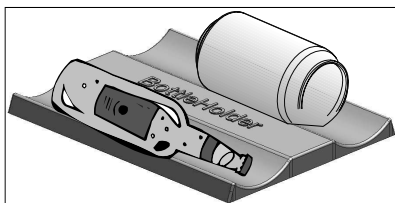
- Votre appareil cessera de fonctionner lorsque vous mettrez le bouton du thermostat à la position « 0 » (zéro). Votre appareil ne démarrera pas à moins que vous mettiez le bouton du thermostat sur la position « 1 » ou sur l'une des autres positions.

Si la position « min » se trouve sur votre thermostat:

- Débranchez votre appareil pour l'arrêter.

Porte-bouteille

Cet accessoire peut être utilisé pour stocker des bouteilles soit canettes côte à côte.



6 Entretien et nettoyage

- ⚠ N'utilisez jamais d'essence, de benzène ou de matériaux similaires pour le nettoyage.
- ⚠ Nous vous recommandons de débrancher l'appareil avant de procéder au nettoyage.
- ℹ N'utilisez jamais d'ustensiles tranchants, savon, produit de nettoyage domestique, détergent et cirage pour le nettoyage.
- ℹ Utilisez de l'eau tiède pour nettoyer la carrosserie du congélateur / réfrigérateur et séchez-la soigneusement à l'aide d'un chiffon.
- ℹ Utilisez un chiffon humide imbibé d'une solution composée d'une cuillère à café de bicarbonate de soude pour un demi litre d'eau pour nettoyer l'intérieur et séchez soigneusement.
- ⚠ Prenez soin de ne pas faire couler d'eau dans le logement de la lampe et dans d'autres éléments électriques.
- ⚠ En cas de non utilisation de votre congélateur / réfrigérateur pendant une période prolongée, débranchez le câble d'alimentation, sortez toutes les aliments, nettoyez-le et laissez la porte entrouverte.
- ℹ Inspectez les joints de porte régulièrement pour vérifier qu'ils sont propres et qu'il n'y a pas de résidus de nourriture.
- ℹ Pour retirer les balconnets de portes, sortez tout son contenu puis poussez simplement le balconnet vers le haut à partir de la base.

- ℹ Ne jamais utiliser des produits nettoyants ou de l'eau contenant du chlore pour le nettoyage des surfaces externes et des pièces chromées du produit. Le chlore entraîne la corrosion de ces surfaces métalliques.

Protection des surfaces en plastique

- Ne placez pas d'huiles ou de plats huileux dans le congélateur / réfrigérateur dans des récipients non fermés, car les graisses peuvent endommager les surfaces en plastique du congélateur / réfrigérateur. Si vous versez ou éclaboussez de l'huile sur les surfaces en plastique, nettoyez et lavez les parties souillées avec de l'eau chaude immédiatement.

7 Dépannage

Veillez vérifier la liste suivante avant d'appeler le service après-vente. Cela peut vous faire économiser du temps et de l'argent. Cette liste regroupe les problèmes les plus fréquents ne provenant pas d'un défaut de fabrication ou d'utilisation du matériel. Il se peut que certaines des fonctions décrites ne soient pas présentes sur votre produit.

Le réfrigérateur ne fonctionne pas.

- La fiche n'est pas insérée correctement dans la prise de courant. >>>Insérez correctement la fiche dans la prise de courant.
- Est-ce que le fusible ou la douille de raccord du réfrigérateur sont connectés ou est-ce que le fusible principal a sauté ? >>>Vérifiez le fusible.

Condensation sur la paroi intérieure du compartiment réfrigérateur. (MULTIZONE, COOL CONTROL et FLEXI ZONE).

- La température ambiante est très froide. >>>N'installez pas le réfrigérateur dans des endroits où la température peut être inférieure à 10°C.
- La porte a été ouverte souvent. >>>Évitez d'ouvrir et de fermer trop fréquemment la porte du réfrigérateur.
- L'environnement est très humide. >>>N'installez pas votre réfrigérateur dans des endroits très humides.
- La nourriture contenant du liquide est conservée dans des récipients ouverts. >>>Ne conservez pas de la nourriture contenant du liquide dans des récipients ouverts.
- La porte du réfrigérateur est laissée entrouverte. >>>Fermez la porte du réfrigérateur.
- Le thermostat est réglé à un niveau très froid. >>>Réglez le thermostat à un niveau adapté.

Le compresseur ne fonctionne pas.

- Le dispositif de protection thermique du compresseur sautera en cas de coupures soudaines du courant ou de débranchement intempestif, en effet la pression du liquide réfrigérant du système de refroidissement ne sera pas équilibrée. Le réfrigérateur recommencera à fonctionner normalement après 6 minutes environ. Veuillez contacter le service après-vente si le réfrigérateur ne redémarre pas après cette période.
- Le réfrigérateur est en mode de dégivrage. >>>Cela est normal pour un réfrigérateur à dégivrage semi-automatique. Le cycle de dégivrage se déclenche régulièrement.
- Le réfrigérateur n'est pas branché à la prise. >>>Assurez-vous que la prise est branchée dans la prise murale.
- Les réglages de température ne sont pas effectués correctement. >>>Sélectionnez la température appropriée.
- Il y a une panne de courant. >>>Le réfrigérateur recommence à fonctionner normalement après le retour du courant.

Le niveau sonore augmente lorsque le réfrigérateur est en marche.

- Les caractéristiques de performance du réfrigérateur peuvent changer en raison des variations de la température ambiante. Cela est normal et n'est pas un défaut.

Le réfrigérateur fonctionne fréquemment ou pendant de longues périodes.

- Votre nouveau réfrigérateur est peut-être plus large que l'ancien. Les grands réfrigérateurs durent plus longtemps.
- La température de la pièce est probablement élevée. >>>Il est normal que l'appareil fonctionne plus longtemps quand la température ambiante est élevée.
- Le réfrigérateur pourrait y avoir été branché tout récemment ou pourrait avoir été chargé de aliments alimentaires. >>>Quand le réfrigérateur a été branché ou récemment rempli avec de la nourriture, il met plus de temps à atteindre la température réglée. Ce phénomène est normal.
- D'importantes quantités de aliments chaudes ont peut-être été introduites dans le réfrigérateur récemment. >>>Ne mettez pas de nourriture chaude dans le réfrigérateur.
- Les portes ont peut-être été ouvertes fréquemment ou laissées entrouvertes pendant une durée prolongée. >>>L'air chaud qui entre dans l'appareil oblige le réfrigérateur à travailler sur de plus longues périodes. N'ouvrez pas les portes fréquemment.
- La porte du congélateur ou du réfrigérateur est probablement entrouverte. >>>Vérifiez que les portes sont bien fermées.
- Le réfrigérateur est réglé à une température très basse. >>>Réglez la température du réfrigérateur à un degré supérieur et attendez que la température réglée soit atteinte.
- Le joint de la porte du réfrigérateur ou du congélateur peut être sale, déchiré, rompu ou mal en place. >>>Nettoyez ou remplacez le joint. Tout joint endommagé/déchiré fait fonctionner le réfrigérateur pendant une période de temps plus longue afin de conserver la température actuelle.

La température du congélateur est très basse alors que celle du réfrigérateur est correcte.

- La température du congélateur est réglée à une température très basse. >>>Réglez la température du congélateur à un degré supérieur et vérifiez.

La température du réfrigérateur est très basse alors que celle du congélateur est correcte.

- La température du réfrigérateur est réglée à une température très basse. >>>Réglez la température du réfrigérateur à un degré supérieur et vérifiez.

Les aliments conservés dans les tiroirs du compartiment de réfrigération sont congelés.

- La température du réfrigérateur est réglée à une température très basse. >>>Réglez la température du réfrigérateur à un niveau inférieur et vérifiez.

La température dans le réfrigérateur ou le congélateur est très élevée.
<ul style="list-style-type: none"> • La température du réfrigérateur est réglée à une température très basse. >>>Le réglage du compartiment réfrigérant a un effet sur la température du congélateur. Changez les températures du réfrigérateur ou du congélateur et attendez que les compartiments atteignent une température suffisante. • Les portes ont peut être été ouvertes fréquemment ou laissées entrouvertes pendant une durée prolongée. >>>N'ouvrez pas les portes fréquemment. • La porte est entrouverte. >>>Refermez complètement la porte. • Le réfrigérateur a été récemment branché ou rempli avec de la nourriture. >>>Ce phénomène est normal. Lorsque le réfrigérateur vient d'être branché ou récemment rempli avec de la nourriture, il met plus de temps à atteindre la température réglée. • D'importantes quantités de aliments chaudes ont peut être été introduites dans le réfrigérateur récemment. >>>Ne mettez pas de nourriture chaude dans le réfrigérateur.
Vibrations ou bruits.
<ul style="list-style-type: none"> • Le sol n'est pas plat ou stable. >>>Si le réfrigérateur balance lorsqu'il est déplacé lentement, équilibrez-le en ajustant sa base. Assurez-vous que le sol est plat et suffisamment solide pour supporter le poids et le volume de l'appareil. • Les éléments placés sur le réfrigérateur peuvent faire du bruit. >>>Enlevez les éléments du haut du réfrigérateur.
Le réfrigérateur produit des bruits semblables à de l'eau qui coule, à la pulvérisation d'un liquide, etc.
<ul style="list-style-type: none"> • Des écoulements de gaz et de liquides surviennent dans le réfrigérateur, de par ses principes de fonctionnement Cela est normal et n'est pas un défaut.
Un sifflement sort du réfrigérateur.
<ul style="list-style-type: none"> • Les ventilateurs sont utilisés pour refroidir le réfrigérateur. Cela est normal et n'est pas un défaut.
Condensation sur les parois intérieures du réfrigérateur.
<ul style="list-style-type: none"> • Un temps chaud et humide augmente la formation de givre et de condensation. Cela est normal et n'est pas un défaut. • Les portes ont peut être été ouvertes fréquemment ou laissées entrouvertes pendant une durée prolongée. >>>N'ouvrez pas les portes fréquemment. Refermez-les si elles sont ouvertes. • La porte est entrouverte. >>>Refermez complètement la porte.
De l'humidité est présente à l'extérieur ou entre les portes du réfrigérateur.
<ul style="list-style-type: none"> • Il y a peut être de l'humidité dans l'air; ceci est tout à fait normal par un temps humide. Lorsque l'humidité est faible, la condensation disparaîtra.
Présence d'une mauvaise odeur dans le réfrigérateur.
<ul style="list-style-type: none"> • Il n'y a pas de nettoyage régulier effectué. >>>Nettoyez régulièrement l'intérieur du réfrigérateur avec une éponge, de l'eau tiède ou du carbonate dissout dans l'eau. • Certains récipients ou matériaux d'emballage peuvent provoquer ces odeurs. >>>Utilisez un autre récipient ou changez de marque de matériau d'emballage. • Les aliments sont mises au réfrigérateur dans des récipients sans couvercle. >>>Conservez les aliments liquides dans des récipients fermés. Les micro-organismes issus de récipients non fermés peuvent dégager des odeurs désagréables. • Enlevez les aliments périmés et pourris du réfrigérateur.
La porte ne se ferme pas.
<ul style="list-style-type: none"> • Des récipients empêchent la fermeture de la porte. >>>Retirez les emballages qui obstruent la porte. • Le réfrigérateur n'est pas complètement vertical sur le sol. >>>Ajustez les pieds du réfrigérateur pour l'équilibrer. • Le sol n'est pas plat ou solide. >>>Assurez-vous que le sol est plat et qu'il peut supporter le poids du réfrigérateur.
Les bacs à légumes sont coincés.
<ul style="list-style-type: none"> • Il se peut que les aliments touchent le haut du tiroir. >>>Disposez à nouveau les aliments dans le tiroir.

Gelieve eerst deze gebruiksaanwijzing te lezen!

Beste klant,

We hopen dat uw product, dat in een moderne fabriek werd geproduceerd en onder de meest nauwkeurige procedures voor kwaliteitscontrole werd gecontroleerd, u doeltreffend van dienst zal zijn.




Wij bevelen daarom aan dat u eerst zorgvuldig de volledige gebruiksaanwijzing van uw product leest voordat u het product gaat gebruiken. Bewaar de handleiding voor toekomstige raadpleging.

Deze gebruiksaanwijzing

- Helpt u uw toestel snel en veilig te gebruiken.
- Lees de gebruiksaanwijzing voordat u het product installeert en gebruikt.
- Volg de instructies, in het bijzonder die met betrekking tot veiligheid.
- Bewaar de gebruiksaanwijzing op een eenvoudig toegankelijke plaats aangezien u deze later nodig kunt hebben.
- Daarnaast dient u ook de andere documenten die bij uw product worden geleverd te lezen.
- Let erop dat deze gebruiksaanwijzing ook voor andere modellen kan gelden.

Symbolen en hun beschrijvingen

Deze instructiehandleiding bevat de volgende symbolen:

-  Belangrijke informatie of nuttige gebruikstips.
-  Waarschuwing tegen gevaarlijke omstandigheden voor leven en eigendommen.
-  Waarschuwing tegen elektrische spanning.



WAARSCHUWING!

U moet de volgende regels in acht nemen om de normale werking van uw koelkast, die het volledig milieuvriendelijke koelmiddel R600a gebruikt, te verzekeren:

- Hinder de vrije luchtcirculatie rond het toestel niet.
- Gebruik geen andere mechanische toestellen om het ontdooien te versnellen dan de toestellen die door de fabrikant worden aangeraden.
- Vernietig het koelcircuit niet.
- Gebruik geen andere elektrische toestellen in de bewaarlade voor etenswaren dan de toestellen die eventueel door de fabrikant worden aangeraden.



INFORMATIE



ENERG⁺



SUPPLIER'S NAME

MODEL IDENTIFIER (*)

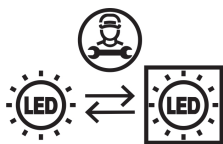
A

A

De informatie van het model zoals opgeslagen in de product-databank is toegankelijk op de onderstaande website. Zoek uw model identificatie (*) vermeld op het energielabel.

<https://eprel.ec.europa.eu/>

1 Uw koelkast	3	4 Voorbereiding	10
2 Belangrijke veiligheidswaarschuwingen	4	5 Gebruik van uw koelkast	11
Bedoeld gebruik	4	Knop om thermostaat in te stellen	11
Algemene veiligheid	4	Koelen	11
Naleving van Richtlijn RoHS:	5	Diepvriezen	11
Kinderbeveiliging	6	Ontdooien	12
HCA-waarschuwing	6	Uw product uitschakelen	12
Aanwijzingen ter besparing van energie ...	6	Houder fles	12
3 Installatie	7	6 Onderhoud en reiniging	13
Punten waarop gelet moet worden bij de verplaatsing van een koelkast	7	Bescherming van de plastic oppervlakken	13
Voordat u de koelkast inschakelt,	7	7 Aanbevolen oplossingen voor problemen	14
Elektrische aansluiting	7		
Afvoeren van de verpakking	8		
Afvoeren van uw oude koelkast	8		
Plaatsing en installatie	8		
Het binnenlichtje vervangen	8		
De deuren omkeren	9		



Dit product is uitgerust met een lichtbron van de "G"-energieklasse. De lichtbron in dit product mag enkel worden vervangen door professionele reparateurs.

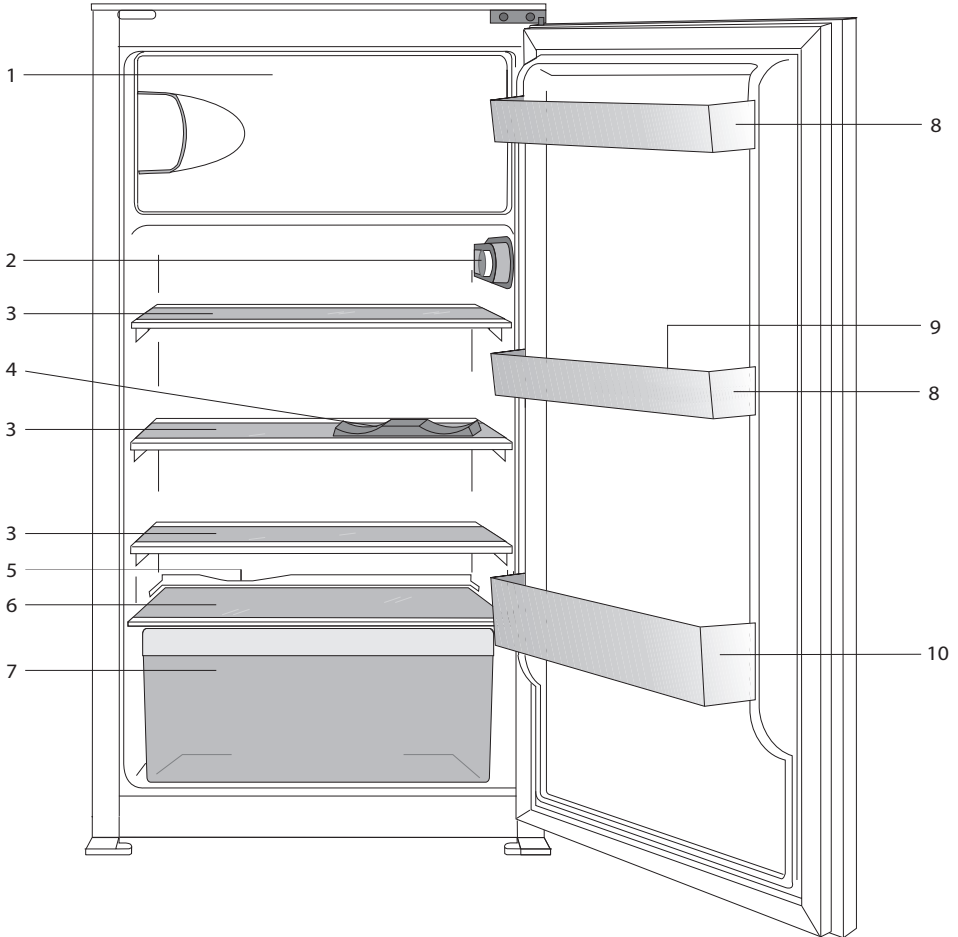
Recyclage

Dit product bevat het symbool voor selectief sorteren van afval van elektrische uitrustingen en elektronica (WEEE).

Dit betekent dat dit product moet worden gehanteerd overeenkomstig de Europese richtlijn 2012/19/EU ten einde te worden gerecycleerd of gedemonteerd om de impact op het milieu te minimaliseren. Voor meer informatie, neem a.u.b. contact op met uw plaatselijke of regionale overheid.

Elektronische producten die niet selectief gesorteerd worden, zijn potentieel gevaarlijk voor het milieu en de gezondheid van de mens omwille van de aanwezigheid van gevaarlijke stoffen.

1 Uw koelkast



1. a.) Invriesvak & ijsblokjesvorm (voor ❄️❄️❄️ modellen)
b.) Vak voor diepvriesproducten & ijsblokjesvorm (voor ❄️❄️ modellen)
2. Binnenverlichting en thermostaat
3. Verplaatsbare schappen
4. Houder fles
5. Afvoerkanaal dooiwater - afvoerpijp
6. Deksel van de groentelade
7. Groenteladen
8. Verstelbare deurschappen
9. Eierrek
10. Flessenrekken

i De afbeeldingen in deze gebruiksaanwijzing zijn schematisch en hoeven niet exact met uw product overeen te komen. Wanneer onderdelen niet tot het product behoren dat u hebt gekocht, gelden deze voor andere modellen.

2 Belangrijke veiligheids waarschuwingen

Gelieve de volgende informatie goed te bestuderen. Niet-inachtneming van deze informatie kan verwondingen of materiële schade veroorzaken. In dat geval worden alle garanties en betrouwbaarheids engagementen ongeldig.

De originele onderdelen worden beschikbaar gehouden gedurende een periode van 10 jaar vanaf de aankoopdatum.

Bedoeld gebruik

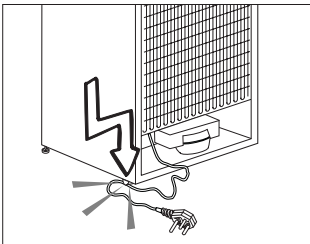
- Dit product is bedoeld om te worden gebruikt:
 - binnen en in gesloten omgevingen zoals huizen;
 - in gesloten werkomgevingen zoals kantoren en winkels;
 - in gesloten accommodatieomgevingen zoals boerderijen, hotels, pensions.
- Het toestel mag niet buitenshuis worden gebruikt.

Algemene veiligheid

- Wanneer u het product wenst af te voeren, raden wij u aan de bevoegde onderhoudsdienst te raadplegen om de benodigde informatie en bevoegde instanties te leren kennen.
- Raadpleeg uw bevoegde onderhoudsdienst voor alle vragen en problemen met betrekking tot de koelkast. Voer geen ingrepen aan de koelkast uit en laat dit ook niet door iemand anders doen zonder de bevoegde onderhoudsdienst op de hoogte te stellen.
- Voor producten met een diepvriesvak; Eet geen ijs of ijsblokjes meteen nadat u deze uit het diepvriesvak heeft gehaald. (Dit kan bevriezing in uw mond veroorzaken.)
- Voor producten met een diepvriesvak; Plaats geen flessen of blikjes met vloeibare dranken in het diepvriesvak. Deze zouden kunnen barsten.
- Raak ingevroren levensmiddelen niet met de hand aan; deze kunnen aan uw hand vastplakken.
- Verwijder de stekker uit uw koelkast voor u deze reinigt of ontdooit.

- Bij het schoonmaken en ontdooien van de koelkast mogen geen stoom en stoomreinigers gebruikt worden. De stoom kan in contact komen met de elektrische onderdelen en kortsluiting of een elektrische schok veroorzaken.
- Gebruik geen onderdelen van uw koelkast zoals de deur als steun of opstapje.
- Gebruik geen elektrische apparaten binnen in de koelkast.
- Beschadig de onderdelen, waar de koelvloeistof circuleert, niet door boor- of snijgereedschap. De koelvloeistof kan naar buiten geblazen worden wanneer de gasleidingen van de verdamer, leidingverlengingen of oppervlaktecoatings worden doorboord en dit kan huidirritatie en oogletsel veroorzaken.
- Dek of blokkeer de ventilatieopeningen van uw koelkast met geen enkel materiaal.
- Elektrische toestellen mogen enkel door bevoegde personen worden hersteld. Reparaties die door onbevoegde personen worden uitgevoerd kunnen een risico voor de gebruiker opleveren.
- Sluit in geval van storing of tijdens onderhouds- of reparatiewerken de stroomtoevoer van de koelkast af door de zekering eruit te draaien of de stekker van het apparaat eruit te trekken.
- Bij het uittrekken van de stekker deze niet aan de kabel uittrekken.
- Plaats alcoholische dranken goed afgesloten en verticaal.
- Bewaar nooit spuitbussen met een ontvlambare of explosieve inhoud in de koelkast.
- Gebruik geen andere mechanische gereedschappen of andere middelen om het ontdooiproces te versnellen dan deze aangeraden door de fabrikant.
- Dit product is niet bestemd voor gebruik door personen met een fysieke, zintuiglijke of mentale stoornis of ongeschoolde of onervaren mensen (inclusief kinderen) tenzij deze worden bijgestaan door een persoon die verantwoordelijk is voor hun veiligheid of die hen dienovereenkomstig instructies geeft bij het gebruik van het product.
- Gebruik geen beschadigde koelkast. Neem contact op met de dealer als u vragen heeft.

- Elektrische veiligheid van uw koelkast wordt alleen gegarandeerd wanneer het aardingssysteem in uw huis aan de normen voldoet.
- Blootstelling van het product aan regen, sneeuw, zon en wind is gevaarlijk met betrekking tot de elektrische veiligheid.
- Neem contact op met een bevoegde dienst wanneer de stroomkabel beschadigd is om zo gevaar te voorkomen.
- Steek tijdens installatie nooit de stekker van de koelkast in de wandcontactdoos. Er bestaat een kans op overlijden of serieus letsel.
- Deze koelkast is enkel bestemd voor het bewaren van voedsel. Hij mag niet voor andere doeleinden worden gebruikt.
- Het label met technische specificaties bevindt zich aan de linkerwand binnenin de koelkast.
- Sluit je koelkast nooit aan op energiebesparende systemen; deze kunnen de koelkast beschadigen.
- Als er zich een blauwe lamp in uw koelkast bevindt, kijk hier dan niet voor een lange tijd in met het blote oog of met optische hulpmiddelen.
- Wacht minstens 5 minuten met het inschakelen van de koelkast na stroomuitval bij manueel bediende koelkasten.
- Deze gebruikershandleiding moet aan de nieuwe eigenaar van het toestel gegeven worden wanneer het toestel doorgegeven wordt.
- Vermijd schade aan de stroomkabel bij transport van de koelkasten. De kabel plooiën kan vuur veroorzaken. Plaats geen zware voorwerpen op de stroomkabel.
- Plaats de stekker van de koelkast niet in het stopcontact als dit stopcontact los is.
- Er mag om veiligheidsredenen geen water rechtstreeks op de binnen- of buitendelen van het toestel gesproeid worden.
- Sproei geen stoffen met ontvlambare gassen zoals propaangas dichtbij de koelkast om gevaar op vuur en ontploffing te voorkomen.
- Plaats geen containers gevuld met water op de koelkast; dit kan bij morsen elektrische schokken of vuur veroorzaken.
- Laad de koelkast niet te vol met voedsel. Indien de koelkast overladen is, kan voedsel naar beneden vallen bij het openen en u kwetsen of de koelkast beschadigen.
- Plaats geen objecten op de koelkast; deze kunnen naar beneden vallen wanneer u de deur open of dicht doet.
- Producten die een nauwkeurige temperatuurregeling nodig hebben (vaccins, hittegevoelige medicatie, wetenschappelijke materialen, enz.) mogen niet in koelkast bewaard worden.
- De koelkast moet worden losgekoppeld indien deze langdurig niet wordt gebruikt. Een mogelijk probleem met de stroomkabel kan vuur veroorzaken.
- Het uiteinde van de stekker moet regelmatig worden gereinigd met een droge doek, anders kan deze brand veroorzaken.
- De koelkast kan bewegen als de stelvoetjes niet juist op de vloer worden vastgezet. De stelvoetjes juist vastzetten op de vloer kan voorkomen dat de koelkast beweegt.
- Hef de koelkast niet aan het handvat bij verplaatsing. Anders breekt het.
- Als u het product naast een andere koelkast of diepvriezer plaatst, moet de afstand hiertussen minstens 8 cm zijn. Anders kunnen aaneensluitende zijwanden nat worden.



- Raak de stekker niet aan met natte handen wanneer deze in het stopcontact wordt geplaatst.

Naleving van Richtlijn RoHS:

- Het door u aangekochte product voldoet aan de EU-richtlijn RoHS (2011/65/EU). Het bevat geen schadelijke en verboden materialen die in deze richtlijn zijn opgenomen.

Kinderbeveiliging

- Indien de deur een slot heeft, moet de sleutel buiten het bereik van kinderen worden gehouden.
- Kinderen moeten onder toezicht staan om te voorkomen dat ze met het product knoeien.

HCA-waarschuwing

Als het koelsysteem van uw product R600a bevat:

Dit gas is ontvlambaar. Zorg daarom tijdens gebruik en transport dat het koelsysteem en de leidingen niet beschadigd raken. In het geval van schade: houd uw product weg van mogelijke ontstekingsbronnen die kunnen veroorzaken dat het product vuur vat en ventileer de ruimte waarin de unit is geplaatst.

Negeer deze waarschuwing als het koelsysteem van uw product R134a bevat.


Het type gas dat in dit product wordt gebruikt staat vermeld op de type-etiket aan de linkerwand binnenin de koelkast.

Gooi het product nooit in vuur voor verwijdering.

Aanwijzingen ter besparing van energie

- Houd de deuren van uw koelkast niet lang open.
- Plaats geen warme levensmiddelen of dranken in de koelkast.
- Overlaad de koelkast niet zodat luchtcirculatie aan de binnenzijde niet geblokkeerd wordt.
- Plaats de koelkast niet in direct zonlicht of naast warmteafgevend apparaten zoals een oven, vaatwasser of radiator. Houd uw koelkast minstens 30 cm verwijderd van warmteafgevend bronnen en minstens 5 cm van elektrische ovens.
- Bewaar uw levensmiddelen in gesloten bakjes.
- Voor producten met een diepvriesvak; U kunt een maximale hoeveelheid voedsel in de diepvries bewaren wanneer u de schappen of lade uit de diepvries verwijdert. De waarde voor energieconsumptie van uw diepvries werd vastgesteld door verwijdering van de diepvries schappen of laden en onder de maximum hoeveelheid. Er bestaat geen risico bij het gebruik van een schap of lade volgens de vorm en grootte van het in te vriezen voedsel.
- Bevroren voedsel in het koelgedeelte ontdooien laat toe om energie te besparen en behoudt de voedselkwaliteit.

3 Installatie

 Indien de informatie die in deze gebruikershandleiding wordt gegeven, niet wordt opgevolgd, is de fabrikant in geen geval aansprakelijk.

Punten waarop gelet moet worden bij de verplaatsing van een koelkast

1. Uw koelkast moet van de stroom zijn afgesloten. Voor het vervoer van uw koelkast moet deze leeg zijn gemaakt en gereinigd.
2. Voordat deze wordt verpakt, moeten schappen, accessoires, groentelade, enz. in de koelkast worden vastgemaakt met tape en beschermd zijn tegen stoten. De verpakking dient met dikke tape of geschikt touw worden ingebonden en de vervoerregels op de verpakking dienen strikt te worden nageleefd.
3. Originele verpakking en schuimmaterialen moeten worden bewaard voor toekomstig transport of verhuizen.

Voordat u de koelkast inschakelt

Controleer het volgende voordat u uw koelkast gaat gebruiken:


1. De binnenzijde van de koelkast schoon is en de luchtcirculatie aan de achterzijde vrij kan plaatsvinden?
2. Maak de binnenkant van de koelkast schoon, zoals aanbevolen in het hoofdstuk "Onderhoud en reiniging".

3. Sluit de stekker van de koelkast aan op het stopcontact. Als de koelkastdeur wordt geopend, gaat de binnenverlichting van de koelkast aan.
4. Als de compressor begint te draaien, komt er een geluid vrij. De vloeistof en de gassen die zich in het koelsysteem bevinden, zouden ook wat lawaai kunnen veroorzaken zelfs wanneer de compressor niet werkt. Dit is normaal.
5. De buitenkant van de koelkast kan warm aanvoelen. Dit is normaal. Deze oppervlakken zijn bedoeld om warm te worden om condensvorming te voorkomen.

Elektrische aansluiting

Sluit uw apparaat aan op een geaard stopcontact, beschermd door een zekering met de juiste capaciteit. Belangrijk:

- De aansluiting moet in naleving zijn met nationale voorschriften.
- De stroomstekker moet na installatie eenvoudig bereikbaar zijn.
- Elektrische veiligheid van uw koelkast wordt alleen gegarandeerd wanneer het aardingsstelsel in uw huis aan de normen voldoet.
- Het voltage op het etiket dat zich links binnenin uw product bevindt moet gelijk zijn aan uw netstroomvoltage.
- **Verlengkabels en verdeelstekkers mogen voor aansluiting niet worden gebruikt.**

 Een beschadigde stroomkabel moet door een gekwalificeerde elektricien worden vervangen.

 Het product mag niet in werking worden gesteld voordat het gerepareerd is! Er bestaat anders gevaar op een elektrische schok!

Afvoeren van de verpakking

De verpakkingsmaterialen kunnen gevaarlijk zijn voor kinderen. Houd het verpakkingsmateriaal buiten bereik van kinderen of voer deze af conform afvalinstructies zoals bepaald door uw lokale autoriteiten. Gooi het niet weg met het normale huishoudafval, maar maak gebruik van ophaalplaatsen voor verpakkingen die door lokale autoriteiten zijn aangewezen.

De verpakking van uw koelkast is vervaardigd uit herbruikbare materialen.

Afvoeren van uw oude koelkast

Voer uw oude koelkast af zonder het milieu op enige wijze te schaden.

- U kunt uw bevoegde dealer of het afvalcentrum van uw gemeente raadplegen over het afvoeren van uw koelkast.

Voordat u uw koelkast afvoert, snijd de elektrische stekker af. Indien het apparaat is uitgevoerd met deursluitingen, dit slot dan onbruikbaar maken om kinderen tegen gevaar te beschermen.

Plaatsing en installatie

⚠ Als de toegangsdeur van de kamer waarin de koelkast wordt geïnstalleerd niet breed genoeg is voor de koelkast om erdoor te passen, bel dan de bevoegde dienst zodat deze de deuren van uw koelkast kan verwijderen en de koelkast zijdelings door de deur kan.

1. Installeer uw koelkast op een plaats waar deze gemakkelijk kan worden gebruikt.
2. Houd uw koelkast uit de buurt van warmtebronnen, vochtige plaatsen en direct zonlicht.

3. Er moet geschikte luchtventilatie rond uw koelkast zijn om een efficiënte werking te verkrijgen. Als de koelkast in een uitsparing in de muur wordt geplaatst, moet er minstens 5 cm afstand zijn ten opzichte van het plafond en minstens 5 cm ten opzichte van de muur. Plaats uw product niet op materialen zoals een kleden of vloerbedekking.
4. Plaats uw koelkast op een vlak vloeroppervlak om schokken te vermijden.
5. Plaats uw koelkast niet in omgevingstemperaturen onder 10°C.

Het binnenlichtje vervangen

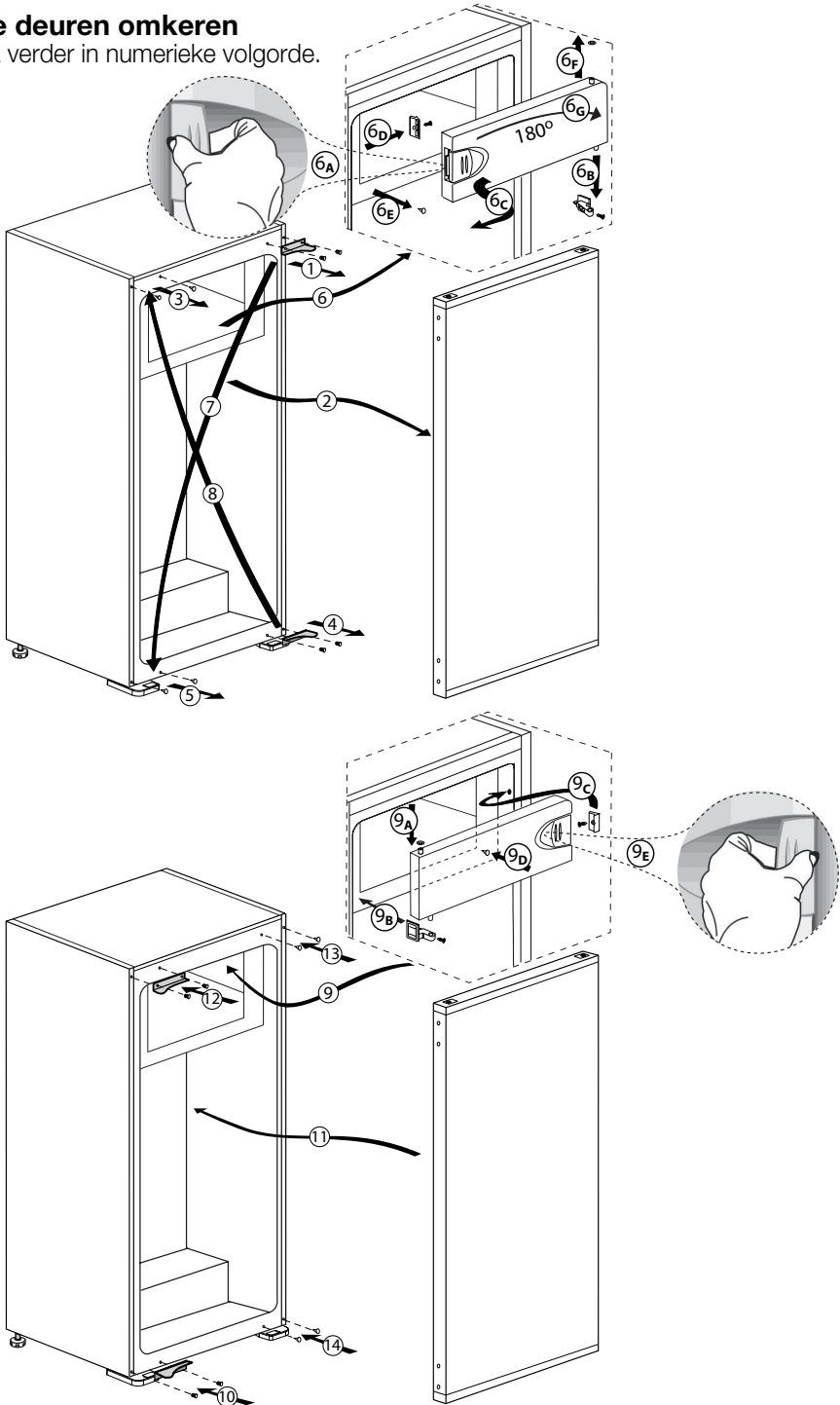
Om de lamp/led voor de binnenverlichting van uw koelkast te vervangen, bel uw bevoegde onderhoudsdienst.

De lamp of lampen voorzien in dit apparaat mogen niet worden gebruikt voor de verlichting van huishoudelijke ruimten. Het beoogde gebruik van deze lamp is de gebruiker te helpen etenswaren op veilige en comfortabele wijze in de koelkast/diepvriezer te plaatsen.

De lampen die in dit apparaat worden gebruikt moeten bestendig zijn tegen extreme fysieke omstandigheden, zoals temperaturen beneden de -20°C.

De deuren omkeren

Ga verder in numerieke volgorde.

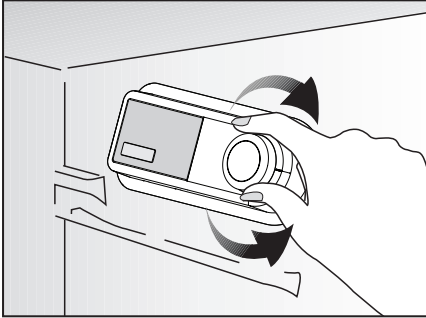


4 Voorbereiding

- Uw koelkast moet worden geïnstalleerd op minstens 30 cm afstand van warmtebronnen zoals kookplaten, centrale verwarming en kachels en op minstens 5 cm afstand van elektrische ovens. De koelkast mag niet in direct zonlicht worden geplaatst.
- De omgevingstemperatuur van de kamer waarin u de koelkast installeert dient minstens 10°C te zijn. In verband met efficiëntie wordt gebruik van uw koelkast in koudere omstandigheden niet aanbevolen.
- Controleer of de binnenzijde van uw koelkast volledig schoon is.
- Bij installatie van twee koelkasten naast elkaar, moeten de koelkasten op een afstand van minstens 2 cm van elkaar worden geplaatst.
- Wanneer u de koelkast voor de eerste keer in gebruik neemt, gelieve tijdens de eerste zes uur de volgende instructies in acht te houden.
 - De deur niet regelmatig openen.
 - Koelkast moet in bedrijf gesteld worden zonder levensmiddelen.
 - De stekker van de koelkast niet uittrekken. Indien zich een stroomstoring voordoet buiten uw macht, zie de waarschuwingen in het deel "Aanbevolen oplossingen voor problemen".
- Originele verpakking en schuimmaterialen moeten worden bewaard voor toekomstig transport of verhuizen.

5 Gebruik van uw koelkast

Knop om thermostaat in te stellen



De werkingstemperatuur wordt geregeld via de temperatuursturing.

Warmste ← ● 1 ● 2 ● 3 ● 4 ● 5 → Koudste
(Of) Min. Max.

1 = Laagste koelinstelling (Warmste instelling)

5 = Hoogste koelinstelling (Koudste instelling)

(Of)

Min. = Laagste koelstand
(Warmste instelling)

Max. = Hoogste koelstand
(Koudste instelling)

De gemiddelde koelkasttemperatuur moet ongeveer $+5^{\circ}\text{C}$ bedragen.

Kies een stand afhankelijk van de gewenste temperatuur.

Merk op dat er in het koelgebied verschillende temperaturen zijn.

Het koudste gedeelte bevindt zich onmiddellijk boven het groentevak.

De binnentemperatuur hangt ook af van de omgevingstemperatuur, hoe vaak de deur geopend wordt en de hoeveelheid voedsel die in de koelkast bewaard wordt.

Wanneer u de deur vaak opent, stijgt de temperatuur in de koelkast.

Het is daarom raadzaam om de deur na elk gebruik zo snel mogelijk te sluiten.

De binnentemperatuur van uw koelkast verandert om de volgende redenen:

- Seizoentemperaturen.
- Frequent openen van de deur of de deur lang open laten staan.
- Etenswaaren die in de koelkast wordt geplaatst zonder dat deze tot kamertemperatuur zijn afgekoeld.
- De plaats van de koelkast in de kamer (bijv. blootgesteld aan zonlicht).
- Met de thermostaat kunt u een als gevolg van deze redenen variërende binnentemperatuur aanpassen. De cijfers rond de thermostaatknop geven de mate van koeling aan.
- Wanneer de omgevingstemperatuur hoger is dan 32°C , draait u de thermostaatknop in de maximumpositie.
- Wanneer de omgevingstemperatuur lager is dan 25°C , draait u de thermostaatknop naar de minimum positie.

Koelen

Bewaren van voedsel

Het koelkastgedeelte dient voor het bewaren van verse etenswaren en dranken.

Diepvriezen

Voedsel invriezen

Het diepvriesgedeelte is met dit symbool  gemarkeerd.

U kunt het apparaat gebruiken om verse etenswaren in te vriezen of om diepvriesproducten te bewaren.

Raadpleeg de aanbevelingen op de verpakking van de etenswaren.

Bewaren van bevroren etenswaren

Het vak voor diepvriesproducten is gemarkeerd met dit  symbool.

Het vak voor diepvriesproducten is geschikt voor het bewaren van bevroren levensmiddelen. De aanbeveling voor bewaring, zoals vermeld op de verpakking van de diepvriesproducten, moet altijd in acht worden genomen.

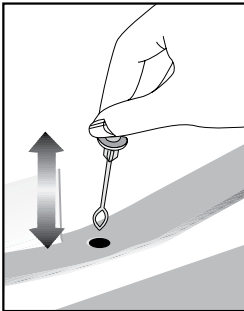
Ontdooien

A) Koelkastgedeelte

Het koelkastgedeelte ontdooit volledig automatisch.

Waterdruppels en een ijslaag van tot 7-8 mm kunnen zich voordoen op de binnenste achterwand van het koelkastgedeelte terwijl uw koelkast aan het koelen is. Zulke ijsvorming is normaal als een resultaat van het koelsysteem. De ijsvorming wordt ontdooid via een automatische ontdooiing met bepaalde tussentijden dankzij het automatische ontdooisysteem van de achterwand. De gebruiker moet de ijsvorming niet wegschrapen of de waterdruppels niet verwijderen. Het water dat afkomstig is van het ontdooien loopt weg via de wateropvanggroef en stroomt in de verdampers via de afvoerleiding en verdampt daar zelf.

Controleer regelmatig om te zien of de afvoerleiding niet verstopt is en ontstop met behulp van een stokje in de opening indien nodig.



B) Diepvriesgedeelte

Het diepvriesgedeelte voert geen automatische ontdooiing uit om het rotten van voedsel te voorkomen.

Ontdooien is zeer eenvoudig en zonder vuiligheid, dankzij een speciale verzamelbak voor het dooiwater.

Ontdooi twee keer per jaar of wanneer er zich een ijslaag van ongeveer 7 mm ($\frac{1}{4}$ ") heeft gevormd. Om de ontdooiprocedure te beginnen, schakel het apparaat uit aan het stopcontact en trek de hoofdstekker uit.

Trek als u de deur van het lage temperatuurvak opent/sluit, lichtjes aan de sluitklep (Afb. 1).

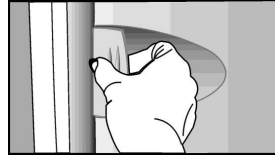
Alle etenswaren moeten in een dikke laag kranten worden verpakt en in een koude ruimte worden bewaard (bijv. koelkast of provisiekamer).

Om het ontdooiproces te versnellen kunt u voorzichtig een bakje warm water in het vriesvak plaatsen.

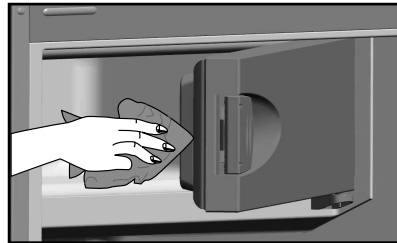
Gebruik geen puntige of scherpe voorwerpen, zoals messen of vorken, om het ijs te verwijderen.

Gebruik nooit haardrogers, elektrische verwarmingstoestellen of andere gelijkaardige elektrische toestellen om te ontdooien. Spons het verzamelde dooiwater op de bodem van het diepvriesgedeelte op. Na het ontdooien de binnenkant goed droog maken (Afb. 2).

Steek de stekker in het stopcontact en schakel de stroomtoevoer aan.



(Afb. 1)



(Afb. 2)

Uw product uitschakelen

Als uw thermostaat is uitgerust met de stand "0":

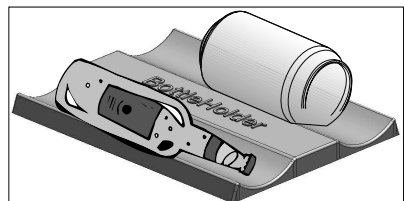
- Uw product stopt met werken wanneer u de thermostaatknop naar de stand "0" (nul) draait. Uw product zal pas weer starten wanneer u de thermostaatknop naar de stand "1" of naar een van de andere standen draait.

Als uw thermostaat is uitgerust met de stand "min":







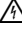



- Trek de stekker van uw product uit het stopcontact om het uit te schakelen.

Houder fles


Deze accessoire kunt u gebruiken voor het bewaren flessen of blikjes naast elkaar.



6 Onderhoud en reiniging

-  Gebruik nooit benzine, benzeen of gelijksoortige substanties voor het reinigingswerk.
-  Wij bevelen aan dat u de stekker uit het toestel trekt voordat u met reinigen begint.
-  Gebruik nooit scherpe voorwerpen, zeep, huishoudproducten, afwasmiddel of boenwas om te poetsen.
-  Gebruik lauwwarm water om de kast van uw koelkast schoon te maken en wrijf deze droog.
-  Gebruik een vochtige doek, uitgewrongen in een oplossing van één koffielepel natriumbicarbonaat voor 50 cl water, om de binnenkant schoon te maken en wrijf vervolgens droog.
-  Zorg ervoor dat er geen water in de lamp en andere elektrische onderdelen binnensijpelt.
-  Als uw koelkast voor een lange periode niet zal worden gebruikt, trek dan de stroomkabel uit, verwijder alle etenswaren, maak de koelkast schoon en laat de deur op een kier staan.
-  Kijk de deurgrendels regelmatig na om u ervan te overtuigen dat ze schoon en vrij van etensresten zijn.
-  Om deurroosters te verwijderen, verwijder de inhoud en druk het deurrooster vervolgens eenvoudigweg naar boven vanaf de basis.
-  Gebruik nooit reinigingsmiddelen of water dat chloor bevat om de buitenkant en de verchromde onderdelen van het product te reinigen. Chloor veroorzaakt corrosie op dergelijke metalen oppervlakken.

Bescherming van de plastic oppervlakken

-  Plaats geen vloeibare olie of in olie bereide maaltijden in uw koelkast in onafgedichte bakjes. Deze kunnen de plastic oppervlakken van uw koelkast beschadigen. Mocht u olie morsen op de kunststof oppervlakken, reinig dit deel van het oppervlak dan direct met warm water en spoel af.

7 Aanbevolen oplossingen voor problemen

Controleer de volgende punten voordat u de onderhoudsdienst belt. Dit kan u tijd en geld besparen. Deze lijst omvat regelmatige klachten die niet voortkomen uit defect vakmanschap of materiaalgebruik. Het is mogelijk dat bepaalde functies die hier beschreven zijn niet tot uw product behoren.

De koelkast werkt niet.

- Zit de stekker van de koelkast goed in het stopcontact? Steek de stekker in het stopcontact.
- Is de zekering van het stopcontact waarop de koelkast is aangesloten of de hoofdzekering gesprongen? Controleer de zekering.

Condensvorming langs de wand van het koelgedeelte (MULTI ZONE, COOL CONTROL en FLEXI ZONE).

- Zeer koude omgevingsomstandigheden. Regelmatig openen en sluiten van de deur. Zeer vochtige omgevingsomstandigheden. Bewaren van levensmiddelen met vloeistof in open bakjes. De deur staat op een kier. Zet de thermostaat kouder.
- Zorg dat de deur minder lang open staat of dat deze minder vaak wordt geopend.
- Dek de eetwaar die in open bakjes wordt bewaard af met een daarvoor geschikt materiaal.
- Veeg condens af met een droge doek en controleer of condensvorming aanhoudt.

De compressor draait niet.

- Thermische bescherming van de compressor kan springen gedurende plotselinge stroomuitval of afsluiting van de stroomtoevoer wanneer de druk van het koelmiddel in het koelsysteem van de koelkast niet in balans is. De koelkast gaat na ongeveer 6 minuten draaien. Neem contact op met de onderhoudsdienst wanneer uw koelkast na deze periode niet start.
- De koelkast zit in een ontdooicyclus. Dit is normaal voor een volledig automatisch ontdooiende koelkast. Ontdooicyclus vindt periodiek plaats.
- De stekker van uw koelkast steekt niet in het stopcontact. Zorg ervoor dat de stekker correct in het stopcontact is gestoken.
- Zijn de temperatuurinstellingen goed ingesteld?
- De stroom werd mogelijk onderbroken.

De koelkast werkt frequent of gedurende lange tijd.

- Uw nieuwe product kan breder zijn dan de vorige. Dit is normaal. Grote koelkasten werken gedurende langere tijd.
- De omgevingstemperatuur kan hoog zijn. Dit is normaal.
- De stekker van de koelkast kan onlangs ingestoken zijn of de koelkast kan zijn volgeladen met etenswaren. Het compleet afkoelen van de koelkast kan enkele uren langer in beslag nemen.
- Grote hoeveelheden warme levensmiddelen kunnen recentelijk in de koelkast zijn geplaatst. Warme levensmiddelen maken dat de koelkast langer werkt tot deze eetwaar de veilige bewaartemperatuur heeft bereikt.
- Deuren kunnen regelmatig geopend zijn of gedurende enige tijd op een kier hebben gestaan. De warme lucht die in de koelkast is binnengekomen maakt dat de koelkast langer werkt. Open de deuren minder vaak.
- De deur van het diepvries- of koelgedeelte kan op een kier hebben gestaan. Controleer of de deuren goed gesloten zijn.
- De koelkast is zeer koud ingesteld. Stel de koelkasttemperatuur hoger en wacht tot de temperatuur wordt bereikt.
- Deurafdichting van de koelkast of diepvriezer kan vuil, versleten, gebroken of niet goed geplaatst zijn. Maak de afdichting schoon of vervang deze. Een beschadigde/gebroken afdichting maakt dat de koelkast langer moet werken om de huidige temperatuur te handhaven.

Diepvriestemperatuur is erg laag terwijl de koelkasttemperatuur voldoende is.

- De diepvriestemperatuur is zeer koud ingesteld. Stel de diepvriezertemperatuur hoger in en controleer.

Koelkasttemperatuur is erg laag terwijl de diepvries temperatuur voldoende is.

- De koelkasttemperatuur is mogelijk zeer koud ingesteld. Stel de koelkasttemperatuur hoger in en controleer.

Etenswaren die in laden van het koelgedeelte worden bewaard, bevroren.

- De koelkasttemperatuur is mogelijk zeer koud ingesteld. Stel de koelkasttemperatuur hoger in en controleer.

Temperatuur in de koelkast of diepvriezer is zeer hoog.
<ul style="list-style-type: none"> De koelkasttemperatuur is mogelijk zeer warm ingesteld. Koelkastinstelling is van invloed op de temperatuur van de diepvriezer. Verander de temperatuur van de koelkast of diepvriezer totdat de temperatuur van de koelkast of diepvriezer het gewenste niveau bereikt. Deuren kunnen regelmatig geopend zijn of gedurende enige tijd op een kier hebben gestaan; doe ze minder vaak open. De deur is mogelijk op een kier blijven staan; doe de deur volledig dicht. Grote hoeveelheden warme levensmiddelen kunnen recentelijk in de koelkast zijn geplaatst. Wacht tot de koelkast of diepvriezer de gewenste temperatuur heeft bereikt. De koelkast kan recentelijk ingeschakeld zijn. Het kost tijd om de koelkast volledig te laten afkoelen.
Het werkingsgeluid neemt toe wanneer de koelkast werkt.
<ul style="list-style-type: none"> De werking van de koelkast kan veranderen als gevolg van wijzigingen in de omgevingstemperatuur. Dit is normaal en geen defect.
Vibratie of geluid.
<ul style="list-style-type: none"> De vloer is niet gelijk of is zwak. De koelkast kantelt een beetje wanneer langzaam wordt bewogen. Zorg dat de vloer vlak vlak en sterk genoeg is om de koelkast te dragen. Het geluid kan worden veroorzaakt door voorwerpen die op de koelkast zijn geplaatst. Voorwerpen bovenop de koelkast moeten worden verwijderd.
Een geluid van morsende of sprayende vloeistof komt uit de koelkast.
<ul style="list-style-type: none"> Vloeistof- en gasstromen vinden plaats conform de werkingsprincipes van uw koelkast. Dit is normaal en geen defect.
Een geluid van wind die blaast.
<ul style="list-style-type: none"> Er worden ventilatoren gebruikt om de koelkast te koelen. Dit is normaal en geen defect.
Condens op de binnenwanden van de koelkast.
<ul style="list-style-type: none"> Met warm en vochtig weer neemt ijs- en condensvorming toe. Dit is normaal en geen defect. De deuren kunnen op een kier hebben gestaan, zorg ervoor dat de deuren volledig gesloten zijn. Deuren kunnen regelmatig geopend zijn of gedurende enige tijd op een kier hebben gestaan; doe ze minder vaak open.
Vocht aan de buitenkant van de koelkast of tussen de deuren.
<ul style="list-style-type: none"> De lucht is mogelijk vochtig; dit is vrij normaal bij vochtig weer. Wanneer de vochtigheid minder wordt, zal de condens verdwijnen.
Slechte geur binnenin de koelkast.
<ul style="list-style-type: none"> De binnenkant van de koelkast moet gereinigd worden. Maak de binnenkant van de koelkast schoon met een spons met lauw of sodawater. Sommige bakjes of verpakkingsmaterialen kunnen de geur veroorzaken. Gebruik een ander bakje of ander soort verpakkingsmateriaal.
De deur sluit niet.
<ul style="list-style-type: none"> Het kan zijn dat voedselpakketjes veroorzaken dat de deur niet sluit. Verplaats de pakketjes die de deur belemmeren. De koelkast staat niet volledig waterpas op de vloer en wiebelt wanneer ze lichtjes wordt verplaatst. Stel de hoogteschroeven anders in. De vloer is niet gelijk of stevig. Zorg dat de vloer vlak is en de koelkast kan dragen.
Groenteladen zitten vast.
<ul style="list-style-type: none"> De levensmiddelen kunnen de bovenzijde van de lade raken. Herschik de levensmiddelen in de lade.

i De garantie is geldig gedurende de verwachte levensduur.

Leggere innanzitutto il manuale di istruzioni!


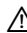

Gentile Cliente,
ci auguriamo che l'articolo da Lei scelto, prodotto in moderni stabilimenti e sottoposto ai più severi controlli di qualità, risponda interamente alle Sue esigenze.
A tal fine, La invitiamo a leggere attentamente il manuale di istruzioni del prodotto prima di procedere al suo utilizzo e di conservarlo per eventuali consultazioni future.

Il presente manuale

- Aiuterà l'utente ad utilizzare l'apparecchio in modo rapido e sicuro.
- Leggere le istruzioni per l'uso prima di installare e utilizzare il prodotto.
- Seguire attentamente le istruzioni, in particolare quelle inerenti alla sicurezza.
- Conservare il presente manuale in un luogo facilmente accessibile per eventuali future consultazioni.
- Leggere inoltre gli altri documenti forniti assieme al prodotto.
- Il presente manuale può essere valido anche per altri modelli.

Simboli e loro descrizione

Il manuale di istruzioni contiene i seguenti simboli:

-  Informazioni importanti o consigli utili di utilizzo.
-  Segnale di avvertimento in caso di situazioni pericolose per la persona o i beni.
-  Avvertimento in caso di problemi con il voltaggio.



AVVERTENZA!

Per garantire il funzionamento adeguato dell'elettrodomestico, che utilizza il refrigerante R600a completamente adatto all'ambiente (inflammabile solo in determinate condizioni), è necessario attenersi alle seguenti regole:

- Non ostacolare la libera circolazione dell'aria attorno all'elettrodomestico.
- Per accelerare lo sbrinamento non utilizzare dispositivi meccanici diversi da quelli consigliati dal produttore.
- Non danneggiare il circuito refrigerante.
- Non utilizzare all'interno del comparto del cibo elettrodomestici diversi da quelli consigliati dal produttore.

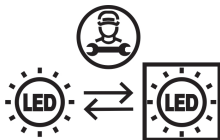
INFORMAZIONI



Le informazioni sul modello memorizzate nella banca dati dei prodotti possono essere consultate sul seguente sito web, cercando l'identificativo del modello (*) presente sull'etichetta energetica.

<https://eprel.ec.europa.eu/>

1 Il frigorifero	3	4 Preparazione	10
2 Importanti avvertenze per la sicurezza	4	5 Utilizzo del frigorifero	11
Uso previsto	4	Tasto di impostazione termostato	11
Sicurezza generale	4	Raffreddamento.....	12
Conformità con la Direttiva RoHS:	6	Congelamento.....	12
Sicurezza bambini	6	Sbrinamento	12
Avvertenza HCA	6	Arresto del prodotto	13
Cose da fare per risparmiare energia ...	6	Portabottiglie.....	13
3 Installazione	7	6 Manutenzione e pulizia	14
Punti da tenere in considerazione quando si trasporta nuovamente il frigorifero	7	Protezione delle superfici di plastica... 14	
Prima di utilizzare il frigorifero	7	7 Soluzioni consigliate per i problemi	15
Collegamento elettrico.....	7		
Smaltimento del materiale di imballaggio	8		
Smaltimento del vecchio frigorifero	8		
Posizionamento e installazione	8		
Sostituzione della lampadina interna...8			
Inversione degli sportelli.....	9		



Questo prodotto è dotato di una sorgente di illuminazione con classe energetica "G". La sorgente di illuminazione nel prodotto dovrà essere sostituita solo da professionisti nel campo della riparazione.

Riciclaggio

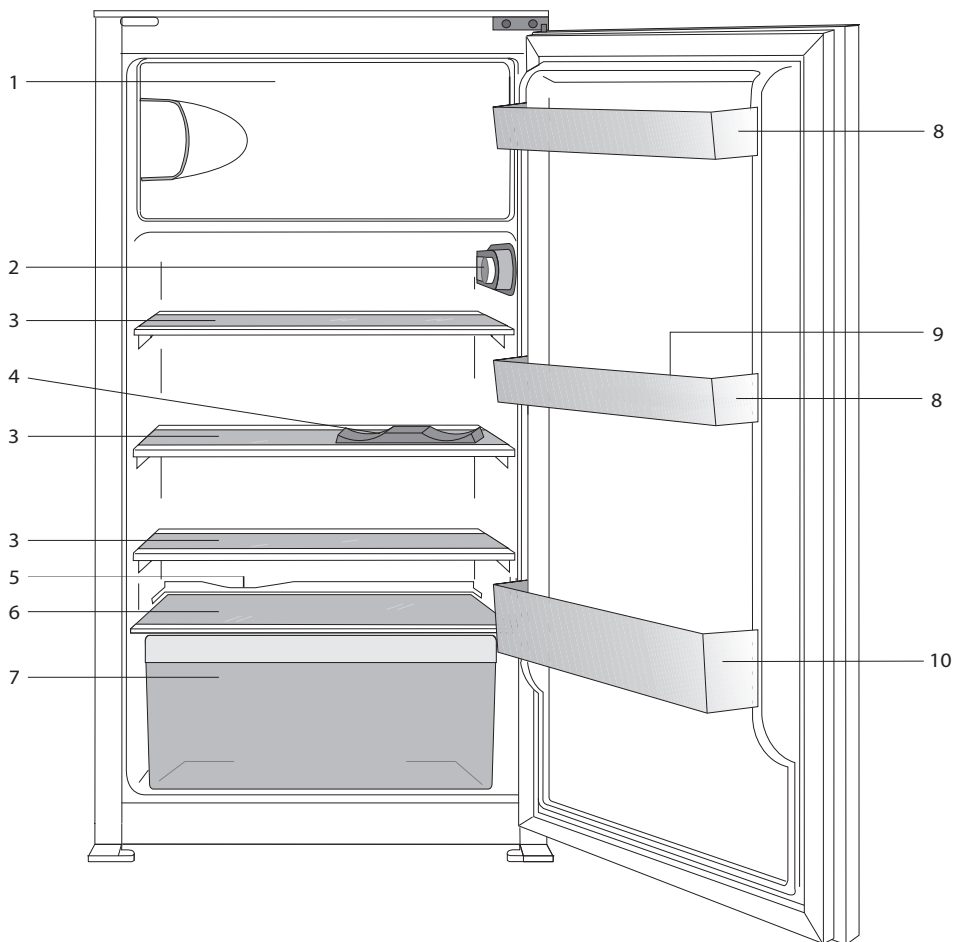


Questo prodotto riporta il simbolo di raccolta differenziata per le apparecchiature elettriche ed elettroniche di rifiuto (WEEE).

Ciò significa che il prodotto deve essere gestito in conformità alla direttiva europea 2012/19/EU in modo che durante il riciclaggio e lo smontaggio sia ridotto al minimo l'impatto sull'ambiente. Per ulteriori informazioni contattare le autorità locali o regionali.

I prodotti elettronici non inclusi nel processo di raccolta differenziata sono potenzialmente pericolosi per l'ambiente e la salute umana a causa della presenza di sostanze pericolose.

1 Il frigorifero



1. a.) Compartimento freezer e vaschetta del ghiaccio (per modelli ❄️❄️❄️)

b) Compartimento cibo congelato e vaschetta del ghiaccio (per ❄️❄️ modelli)

2. Lampadina e termostato

3. Mensole amovibili

4. Portabottiglie

5. Canale di raccolta dell'acqua di sbrinatorio – tubo di drenaggio

6. Coperchio scomparto per frutta e verdura

7. Scomparto frutta e verdura

8. Mensole dello sportello regolabili

9. Scomparto per le uova

10. Ripiani bottiglie

📌 Le illustrazioni contenute in questa guida sono schematiche e potrebbero non corrispondere esattamente al prodotto in uso. Se le parti in oggetto non sono incluse nel prodotto acquistato, significa che sono da intendersi per altri modelli.

2 Importanti avvertenze per la sicurezza

Prendere in esame le seguenti informazioni. Se queste informazioni non vengono rispettate, possono verificarsi lesioni personali o danni materiali. Quindi tutte le garanzie e gli impegni sull'affidabilità diventerebbero privi di validità.

I pezzi di ricambio originali verranno forniti per 10 anni, successivamente alla data di acquisto del prodotto.

Uso previsto

- Questo apparecchio è destinato ad un uso domestico e applicazioni simili come:
 - aree destinate a cucina in negozi, uffici e altri ambienti di lavoro;
 - fattorie e da clienti in alberghi, motel e altri ambienti di tipo residenziale;
 - ambienti tipo bed and breakfast;
 - catering e simili applicazioni non commerciali.
- Non deve essere usato all'esterno. L'uso esterno non è appropriato anche se coperto da un tetto.

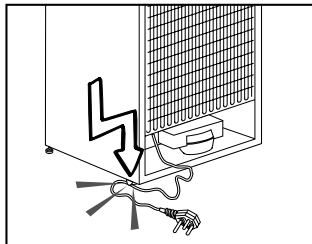
Sicurezza generale

- Quando si vuole smaltire/eliminare l'apparecchio, è consigliabile consultare il servizio autorizzato per apprendere le informazioni necessarie e conoscere gli enti autorizzati.
- Consultare il servizio di manutenzione autorizzato per tutti i problemi relativi al frigorifero. Non intervenire o far intervenire sul frigorifero senza informare il servizio manutenzione autorizzato.
- Non mangiare con gelati ghiacciati o cubetti di ghiaccio o gelati appena presi dal freezer! (possono provocare bruciature da freddo alla bocca). (Ciò potrebbe causare sintomi di congelamento in bocca).

- Non mettere bottiglie e lattine di bibite liquide nello scomparto del freezer. altrimenti potrebbero esplodere.
- Non toccare con le mani gli alimenti gelati; possono incollarsi ad esse.
- Il vapore e i materiali per la pulizia vaporizzati non devono mai essere usati per pulire e scongelare il frigorifero. In questo caso il vapore può entrare in contatto con le parti elettriche e provocare corto circuito o scossa elettrica.
- Non usare mai parti del frigorifero come lo sportello come mezzo di supporto o movimento.
- Non utilizzare dispositivi elettrici all'interno del frigorifero.
- Non danneggiare il circuito di raffreddamento, in cui circola il refrigerante, con utensili perforanti o taglienti. Il refrigerante può scoppiare quando i canali del gas dell'evaporatore, le estensioni dei tubi o le pellicole superficiali vengono punti e possono provocare irritazioni alla pelle e lesioni agli occhi.
- Non bloccare o coprire la ventilazione dell'elettrodomestico.
- Le riparazioni agli apparecchi elettrici devono essere eseguite solo da personale qualificato. Le riparazioni eseguite da personale non competente possono provocare danni all'utilizzatore.
- In caso di guasto o durante lavori di riparazione e manutenzione, scollegare la fornitura d'energia principale spegnendo il fusibile principale o scollegando la presa dell'apparecchio.
- Non tirare dal cavo quando si estrae la spina.
- Posizionare le bibite più alte molto vicine e in verticale
- Non conservare sostanze esplosive come aerosol con gas propellenti infiammabili nell'apparecchio.

- Non utilizzare apparecchiature meccaniche o altri mezzi diversi da quelli consigliati dal produttore, per accelerare il processo di sbrinamento.
- Questo apparecchio non deve essere usato da persone (compresi bambini) con capacità fisiche, sensoriali o mentali ridotte, o mancanza di esperienza e conoscenza, a meno che non ricevano la supervisione o le istruzioni per l'uso dell'apparecchio da parte di una persona responsabile della loro sicurezza.
- Non utilizzare frigoriferi danneggiati. Consultare il servizio assistenza in caso di dubbi.
- La sicurezza elettrica del frigorifero è garantita unicamente se il sistema di messa a terra dell'apparecchiatura è conforme agli standard.
- L'esposizione del prodotto a pioggia, neve, sole e vento è pericolosa per la sicurezza elettrica.
- Contattare l'assistenza autorizzata quando ci sono danni ai cavi ecc., in modo che non creino pericoli per l'utente.
- Non collegare mai il frigorifero alla presa a muro durante l'installazione, per evitare il rischio di morte o lesioni gravi.
- Questo frigorifero è destinato solo alla conservazione di alimenti. Non deve essere usato per altri fini.
- L'etichetta che descrive le specifiche tecniche del prodotto si trova a sinistra nella parte interna del frigorifero.
- Non collegare il frigorifero a sistemi di risparmio energetico poiché possono danneggiare l'apparecchio.
- Se il frigorifero presenta una luce blu, non guardarla usando dispositivi ottici.
- Se l'alimentazione è scollegata negli apparecchi controllati manualmente, attendere almeno 5 minuti prima di ricollegarla.

- Questo manuale deve essere trasferito al successivo proprietario del frigorifero, in caso di passaggio di proprietà.
- Quando si sposta l'apparecchio, assicurarsi di non danneggiare il cavo di alimentazione. Per evitare che il cavo di alimentazione si incendi, evitare di torcerlo. Non mettere oggetti pesanti sul cavo di alimentazione.



- Quando il frigorifero viene collegato alla rete, non toccare la presa di alimentazione con le mani bagnate.
- Non collegare il frigorifero alla rete se la presa elettrica è allentata.
- Non far schizzare l'acqua direttamente sulle parti esterne o interne del frigorifero per ragioni di sicurezza.
- Non spruzzare materiali infiammabili come gas propano, ecc. nelle vicinanze del frigorifero, a causa del rischio di incendio ed esplosioni.
- Non mettere oggetti pieni di acqua sopra al frigorifero poiché potrebbero provocare uno shock elettrico o un incendio.
- Non sovraccaricare il frigorifero con troppi alimenti. Gli alimenti in eccesso possono cadere quando viene aperto lo sportello, causando lesioni alla persona o danneggiando il frigorifero. Non mettere oggetti sopra al frigorifero poiché potrebbero cadere quando si apre o si chiude lo sportello dell'apparecchio.
- Materiali che richiedono determinate condizioni di temperatura come vaccini, farmaci termosensibili, materiali scientifici, ecc. non devono essere tenuti in frigorifero.

- Se il frigorifero non viene usato per molto tempo, deve essere scollegato dalla rete. Un problema nell'isolamento del cavo elettrico potrebbe provocare un incendio.
- La punta della spina elettrica deve essere regolarmente pulita altrimenti potrebbe provocare un incendio.
- La punta della spina deve essere pulita regolarmente con un panno asciutto; altrimenti può provocare un incendio.
- Il frigorifero potrebbe spostarsi quando i piedini regolabili non sono posizionati in modo fermo a terra. Usando i piedini regolabili si assicura che il frigorifero sia posizionato in modo stabile sul pavimento.
- Se il frigorifero ha una maniglia sullo sportello, non tirare l'apparecchio dalla maniglia quando lo si sposta, altrimenti la maniglia potrebbe staccarsi.
- Se è necessario utilizzare l'apparecchio vicino ad un altro frigorifero o un altro freezer, la distanza tra gli apparecchi deve essere almeno 8 cm. Altrimenti si può creare condensa sulle pareti laterali che sono l'una di fronte all'altra.

Conformità con la Direttiva RoHS:

- L'apparecchio acquistato è conforme alla Direttiva UE RoHS (2011/65/EU). Non contiene materiali pericolosi o proibiti specificati nella Direttiva.

Sicurezza bambini

- Se la porta ha un lucchetto, la chiave deve essere tenuta lontana dalla portata dei bambini.
- I bambini devono ricevere la supervisione necessaria ad assicurare che non giochino con l'apparecchio.

Avvertenza HCA

Se il prodotto è dotato di un sistema di raffreddamento che contiene R600a:

Questo gas è infiammabile. Pertanto, fare attenzione a non danneggiare il sistema di raffreddamento e le tubazioni durante l'uso e il trasporto. In caso di danni, tenere il prodotto lontano da potenziali fonti di incendio che possono provocarne l'incendio e ventilare la stanza in cui si trova l'unità.

Ignorare l'avvertenza se il prodotto è dotato di un sistema di raffreddamento che contiene R134a.

Si può vedere il gas usato nella produzione del dispositivo sull'etichetta informativa che si trova nella parte interna sinistra dello stesso.

Non gettare mai il prodotto nel fuoco.

Cose da fare per risparmiare energia

- Non lasciare lo sportello del frigorifero aperto per lungo tempo.
- Non inserire cibo caldo o bevande calde nell'elettrodomestico.
- Non sovraccaricare il frigorifero impedendo la circolazione dell'aria al suo interno.
- Non installare il frigorifero sotto la luce diretta del sole o nelle vicinanze di forni, lavastoviglie o radiatori.
- Porre attenzione nel conservare il cibo in contenitori chiusi.
- La quantità massima di alimenti può essere posta nello scomparto freezer del frigorifero quando il ripiano o il cassetto dello scomparto freezer sono rimossi. Il valore di consumo energetico dichiarato per il frigorifero è stato stabilito con il ripiano o il cassetto dello scomparto freezer rimossi e con la quantità massima di alimenti caricata. Non c'è rischio nell'usare un ripiano o un cassetto secondo le forme e le dimensioni degli alimenti da congelare.
- Scongelare alimenti congelati nello scomparto frigo garantisce risparmio energetico e conserva la qualità degli alimenti.

3 Installazione

⚠ Ricordarsi che il fabbricante non è responsabile della mancata osservanza delle informazioni fornite nel manuale di istruzioni.

Punti da tenere in considerazione quando si trasporta nuovamente il frigorifero

1. Deve essere svuotato prima di ogni trasporto.
2. Scaffali, accessori, cestelli ecc. devono essere fissati nel frigorifero in modo sicuro per mezzo di nastro adesivo prima di essere di nuovo imballati.
3. L'imballaggio deve essere eseguito con nastro spesso e forte e le norme di trasporto devono essere scrupolosamente seguite.

Cose da non dimenticare...

Tutti i materiali riciclati sono una fonte indispensabile per la natura e per le nostre risorse naturali.

Se si vuole contribuire al riciclaggio di materiali da imballo, è necessario rivolgersi per ulteriori informazioni alle autorità locali per l'ambiente.

Prima di utilizzare il frigorifero

Prima di avviare l'uso del frigorifero, controllare quanto segue:

1. L'interno del frigorifero è asciutto e l'aria può circolare liberamente sul retro?
2. Pulire la parte interna del frigorifero come consigliato nella sezione "Manutenzione e pulizia".

3. Collegare il frigorifero alla presa a muro. Quando lo sportello del frigorifero viene aperto si accenderà la luce interna allo scomparto frigo.

4. Si sente un rumore quando il compressore si avvia. I liquidi e i gas sigillati nel sistema refrigerante possono produrre dei rumori, anche se il compressore non è in funzione; questo è abbastanza normale.

5. I bordi anteriori del frigorifero possono essere tiepidi. Questo è normale. Queste zone sono progettate per essere tiepide per evitare la condensazione.

Collegamento elettrico

Collegare il frigorifero ad una presa di messa a terra protetta da un fusibile della capacità appropriata.

Importante:

- Il collegamento deve essere conforme ai regolamenti nazionali.
- Il cavo di alimentazione deve essere facilmente accessibile dopo l'installazione.
- La tensione specificata deve essere pari a quella di rete.
- **Le prolunghere e le prese multiple non devono essere usate per il collegamento.**

⚠ Un cavo di alimentazione danneggiato deve essere sostituito da un elettricista qualificato.

⚠ L'apparecchio non deve essere usato finché non viene riparato! C'è pericolo di shock elettrico!

Smaltimento del materiale di imballaggio

I materiali di imballaggio potrebbero essere dannosi per i bambini. Tenere i materiali di imballaggio fuori dalla portata dei bambini o smaltirli classificandoli secondo le istruzioni sui rifiuti. Non smaltirli insieme ai normali rifiuti domestici.

L'imballaggio del frigorifero è prodotto con materiali riciclabili.

Smaltimento del vecchio frigorifero

Smaltimento del vecchio frigorifero senza danni per l'ambiente.

- Bisogna consultare il rivenditore autorizzato o il centro di raccolta rifiuti della propria città per quanto riguarda lo smaltimento del frigorifero.

Prima di smaltire il frigorifero, tagliare la spina elettrica e, se ci sono blocchi allo sportello, renderli inutilizzabili per proteggere i bambini da eventuali pericoli.

Posizionamento e installazione

⚠ Nel caso in cui la porta di ingresso della stanza in cui il frigorifero deve essere posizionato non è abbastanza grande per il passaggio del frigorifero, chiamare il servizio autorizzato per rimuovere le porte del frigorifero e per farlo passare attraverso la porta.

1. Installare il frigorifero in un luogo che ne permetta il facile utilizzo.

2. Tenere il frigorifero lontano da fonti di calore, luoghi umidi e luce diretta del sole.

3. Intorno al frigorifero deve esserci ventilazione appropriata per poter avere operatività efficiente. Se il frigorifero deve essere posizionato in un recesso della parete, è necessario porlo ad almeno 5 cm di distanza dal soffitto e a 5 cm dalla parete. Se il pavimento è coperto con un tappeto, il prodotto deve essere sollevato di 2,5 cm dal pavimento.

4. Posizionare l'elettrodomestico solo su superfici uniformi e piane per evitare dondolii.

5. Non tenere il frigorifero in ambienti con temperature inferiori ai 10°C.

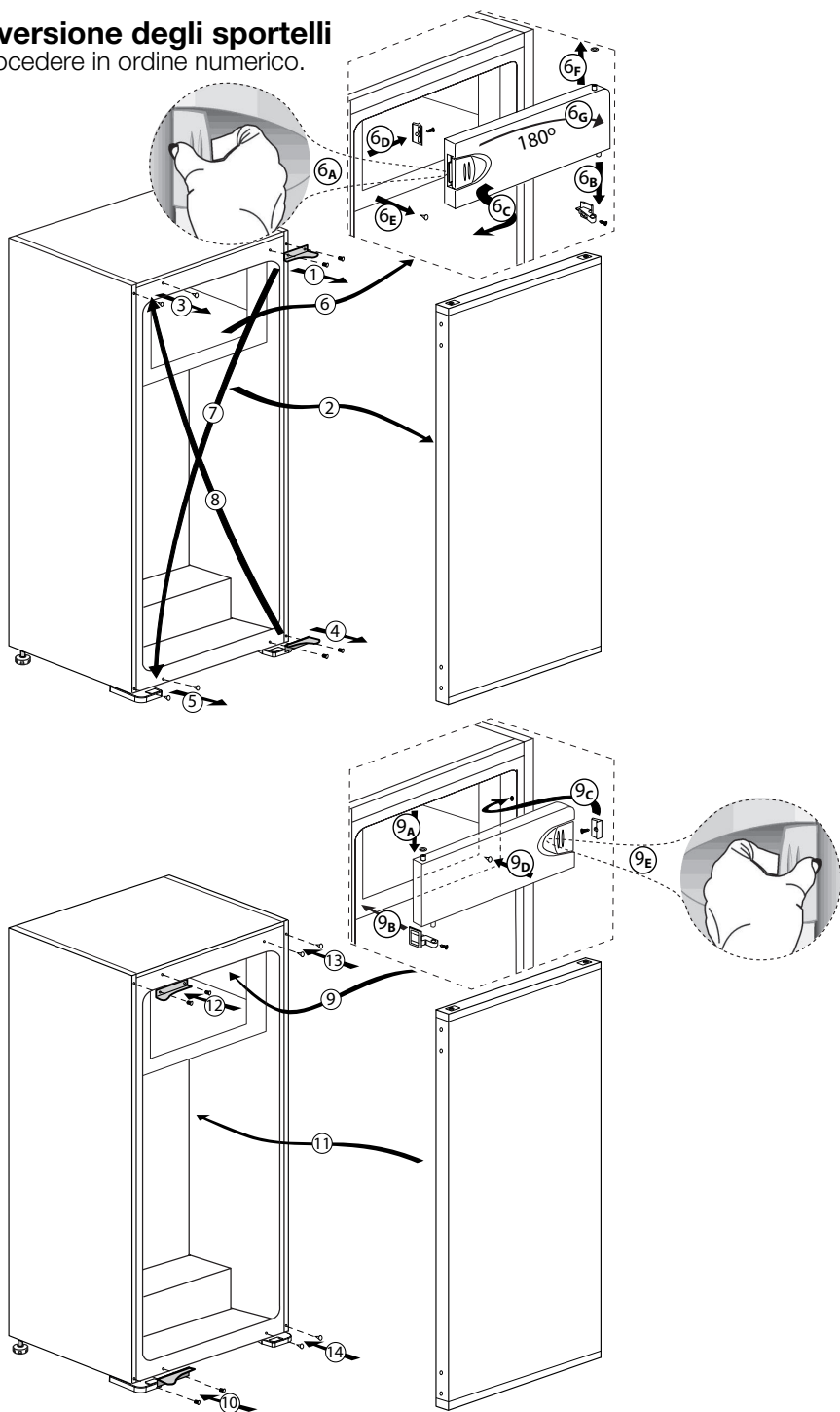
Sostituzione della lampadina interna

Per cambiare lampadina/LED utilizzati per illuminare il frigorifero, rivolgersi al Servizio Assistenza Autorizzato.

La lampada (le lampade) usata (usate) nell'apparecchiatura non è (sono) adatta (adatte) per l'illuminazione domestica. L'obiettivo previsto per questa lampada è quello di assistere l'utente in fase di posizionamento degli alimenti all'interno del frigorifero / congelatore in modo sicuro e comodo. Le lampadine utilizzate in questo apparecchio devono sopportare condizioni fisiche estreme come temperature inferiori a -20°C.

Inversione degli sportelli

Procedere in ordine numerico.

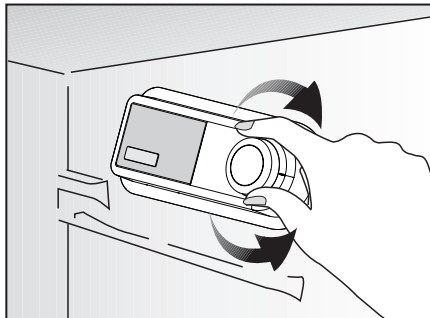


4 Preparazione

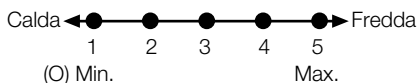
- i** Il frigorifero dovrà essere installato ad almeno 30 cm lontano da fonti di calore, come forni, riscaldamento centrale e stufe e ad almeno 5 cm da forni elettrici e non deve essere esposto alla luce diretta del sole.
- i** La temperatura ambiente della stanza in cui viene installato il frigorifero deve essere almeno 10°C . Usare il frigorifero in ambienti con temperatura inferiore non è consigliabile per motivi di efficienza.
- i** Assicurarsi che l'interno del frigorifero sia ben pulito.
- i** In caso di installazione di due frigoriferi l'uno accanto all'altro, devono esservi almeno 2 cm di distanza tra di loro.
- i** Quando il frigorifero viene messo in funzione per la prima volta, osservare le seguenti istruzioni per le prime sei ore.
 - La porta non si deve aprire frequentemente.
 - Deve funzionare vuoto senza alimenti all'interno.
 - Non staccare il frigo dalla presa di corrente. Se si verifica un calo di potenza al di là del controllo dell'utente, vedere le avvertenze nella sezione "Soluzioni consigliate per i problemi".
- i** Conservare i materiali originali di imballaggio per futuri trasporti o spostamenti.

5 Utilizzo del frigorifero

Tasto di impostazione termostato



La temperatura di funzionamento è regolata con il comando temperatura.



1 = impostazione raffreddamento minimo (Impostazione più calda)
5 = impostazione raffreddamento massimo (Impostazione più fredda)
(Oppure)

Min. = impostazione raffreddamento minimo
(Impostazione più calda)

Max. = impostazione raffreddamento massimo
(Impostazione più fredda)

La temperatura media all'interno del frigo dovrebbe essere intorno a $+5^{\circ}\text{C}$. Scegliere l'impostazione secondo la temperatura desiderata. Si noti che ci saranno temperature diverse nell'area di raffreddamento.

La sezione più fredda è quella immediatamente sopra lo scomparto per le verdure.

La temperatura interna dipende anche dalla temperatura ambiente, dalla frequenza con cui lo sportello viene aperto e dalla quantità di cibo contenuto all'interno.

L'apertura frequente dello sportello provoca un aumento della temperatura interna.

Per questo motivo si consiglia di chiudere lo sportello subito dopo l'uso, il più velocemente possibile.

La temperatura interna del frigorifero cambia per le seguenti cause:

- Temperature stagionali.
- Apertura frequente dello sportello e sportello lasciato aperto per lunghi periodi.
- Alimenti messi nel frigorifero senza lasciarli prima raffreddare a temperatura ambiente.
- Posizionamento del frigorifero nella stanza (per esempio, esposizione alla luce solare).
- Qualora si verificano le suddette situazioni, è possibile adattare la temperatura interna del frigorifero utilizzando il termostato. I numeri riportati intorno al tasto indicano i gradi di raffreddamento.
- Se la temperatura ambiente è superiore ai 32°C , ruotare il tasto del termostato fino al punto massimo.
- Se la temperatura ambiente è inferiore ai 25°C , ruotare il tasto del termostato fino al punto minimo.

Raffreddamento

Conservazione alimenti

Lo scomparto frigo serve per la conservazione a breve termine di cibi freschi e bevande.

Congelamento

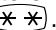
Congelamento alimenti

Il comparto freezer è segnalato da questo simbolo .

È possibile usare l'elettrodomestico per congelare cibi freschi ma anche per conservare cibi pre-congelati.

Vedere i consigli presenti sulle confezioni degli alimenti.

Conservazione di cibo congelato

Il comparto del cibo congelato è segnalato da questo simbolo .

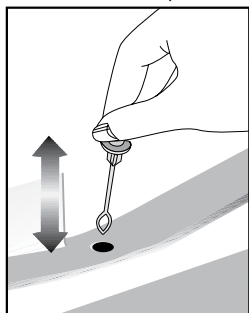
Il comprato del cibo congelato è adatto alla conservazione del cibo precongelato. È necessario osservare sempre i consigli per la conservazione riportati sulla confezione dei cibi.

Sbrinamento

A) Scomparto frigo

Lo scomparto frigo effettua l'operazione di sbrinamento in modo totalmente automatico. È possibile che durante la fase di sbrinamento del frigo si formi uno strato di brina fino a 7-8 mm sulla parete posteriore dello scomparto frigo. Tale fenomeno è una normale conseguenza del sistema di raffreddamento. La brina viene eliminata mediante uno sbrinamento automatico a intervalli, grazie al sistema di sbrinamento automatico posto sulla parete posteriore. Non è pertanto necessario raschiare la brina o rimuovere le gocce d'acqua. L'acqua che viene prodotta dallo sbrinamento passa per la scanalatura di raccolta dell'acqua e fluisce nell'evaporatore attraverso il tubo di scarico e da lì evapora.

Controllare regolarmente per vedere se il tubo di evaporazione è bloccato meno, e pulirlo con il bastoncino nel foro, quando necessario.



B) Scomparto freezer

Lo scomparto del surgelatore non effettua operazioni di sbrinamento automatico per evitare di compromettere l'integrità dei cibi congelati. Lo sbrinamento è diretto e senza problemi, grazie a un bacino speciale di raccolta per lo sbrinamento. Sbrinare due volte all'anno o quando si crea uno spessore di ghiaccio di circa 7 mm (1/4").

Per avviare la procedura di sbrinamento, spegnere l'elettrodomestico sulla presa e scollegare il cavo di alimentazione.

Quando si apre/chiede lo sportello dello scomparto bassa temperatura, tirare delicatamente l'aletta di chiusura (elemento 1).

Tutto il cibo deve essere incartato in diversi strati di carta di giornale e conservato in un luogo fresco (ad esempio un frigorifero o una dispensa).

È possibile porre con attenzione contenitori di acqua calda nel freezer per accelerare lo sbrinamento.

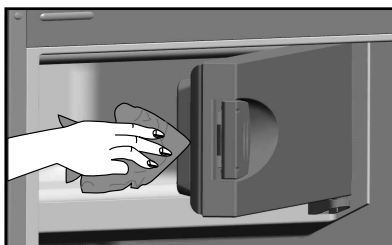
Non utilizzare oggetti appuntiti come coltelli o forchette per rimuovere il ghiaccio. Non utilizzare mai asciugacapelli, stufe o altri elettrodomestici simili per lo sbrinamento.

Pulire via l'acqua di sbrinamento raccolta nella parte inferiore dello scomparto freezer. Dopo lo sbrinamento, asciugare completamente l'interno (**elemento 2**).

Inserire la spina nella presa a muro e accendere l'alimentazione elettrica.



(elemento 1)



(elemento 2)

Arresto del prodotto

Se il termostato è dotato della posizione "0":

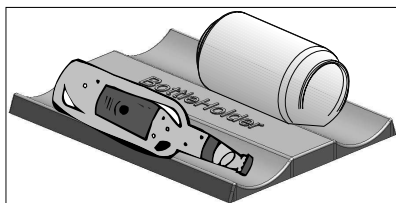
- Il prodotto smette di funzionare quando si porta il termostato in posizione "0" (zero). Il prodotto non si avvia a meno che non si porta di nuovo il termostato in posizione "1" o un'altra posizione.

Se il termostato è dotato della posizione "min":

- Scollegare il prodotto per arrestarlo.

Portabottiglie

Questo accessorio può essere usato per conservare bottiglie e lattine una di fianco all'altra.



6 Manutenzione e pulizia

- ⚠ Non usare mai gasolio, benzene o sostanze simili per scopi di pulizia.
- ⚠ È consigliato scollegare l'apparecchio prima della pulizia.
- ℹ Non utilizzare mai attrezzi appuntiti o sostanze abrasive, saponi, detergenti per la casa o cere per la pulizia.
- ℹ Utilizzare acqua tiepida per pulire l'alloggiamento del frigorifero e asciugarlo.
- ℹ Utilizzare un panno umido intriso di una soluzione composta da un cucchiaino di bicarbonato di soda e da circa mezzo litro di acqua e pulire l'interno, quindi asciugare.
- ⚠ Assicurarsi che l'acqua non penetri nel quadro di comando della temperatura.
- ⚠ Se il frigorifero non viene usato per un lungo periodo di tempo, scollegare il cavo di alimentazione, rimuovere tutti gli alimenti dal suo interno, pulirlo e lasciare la porta aperta.
- ℹ Controllare le guarnizioni della porta periodicamente per garantire che siano pulite e che non siano presenti particelle di cibo.
- ⚠ Per rimuovere il vassoio della porta, rimuovere tutto il contenuto e spingere semplicemente il vassoio verso l'alto.

Protezione delle superfici di plastica

- ℹ Non inserire oli liquidi o piatti cotti in olio nel frigorifero se in contenitori non sigillati poiché questi possono danneggiare le superfici in plastica del frigorifero. In caso di fuoriuscita di olio sulle superfici in plastica, pulire e asciugare le parti della superficie con acqua tiepida.

7 Soluzioni consigliate per i problemi

Prima di chiamare il servizio assistenza, rivedere la lista precedente. Si risparmierà tempo e denaro. Questa lista comprende frequenti reclami che non derivano da difetti di lavorazione o dai materiali utilizzati. Alcune delle funzioni descritte qui potrebbero non esistere nel proprio prodotto.

Il frigorifero non funziona.

- Il frigorifero è correttamente collegato alla corrente? Inserire la spina nella presa a muro.
- Il fusibile della presa a cui è collegato il frigorifero è funzionante o il fusibile principale è saltato? Controllare il fusibile.

Condensa sulla parete laterale dello scomparto frigo (MULTIZONE, COOL CONTROL e FLEXI ZONE).

- Ambiente in condizioni molto fredde. Apertura e chiusura frequente della porta. Ambiente in condizioni molto umide. Conservazione del cibo contenente liquidi in contenitori aperti. Porta lasciata aperta. Portare il termostato a temperatura inferiore.
- Diminuire il tempo di apertura della porta o aprirla meno frequentemente.
- Coprire il cibo contenuto in contenitori aperti con materiale adatto.
- Asciugare la condensa con un panno asciutto e controllare se continua.

Il compressore non funziona.

- La protezione termica del compressore è inattiva in caso di mancanza di corrente o di mancato collegamento alla presa, se il sistema refrigerante non è ancora stato regolato. Il frigorifero comincerà a funzionare dopo circa 6 minuti. . Chiamare il servizio assistenza se il frigorifero non inizia a funzionare al termine di questo periodo.
- Il frigorifero è nel ciclo di sbrinamento. Si tratta di una cosa per un frigorifero con sbrinamento completamente automatico. Il ciclo di sbrinamento si verifica periodicamente.
- L'elettrodomestico non è collegato alla presa. Accertarsi che la spina sia inserita in modo corretto nella presa.
- Le regolazioni di temperatura sono eseguite correttamente?
- Potrebbe esserci un'assenza di corrente.

Il freezer funziona frequentemente o per lunghi periodi.

- Il nuovo frigorifero è più grande del precedente. Ciò è abbastanza normale. I grandi frigoriferi lavorano per lunghi periodi di tempo.
- La temperatura ambiente può essere alta. Ciò è abbastanza normale.
- Il frigorifero è stato collegato alla presa di recente o è stato riempito di cibo. Lo sbrinamento completo del frigorifero può durare un paio d'ore.
- Grandi quantità di cibo caldo sono state recentemente inserite. I cibi caldi devono essere raffreddati fino alla temperatura ambiente prima di essere riposti nel frigorifero.
- La porta del freezer rimane aperta per un lungo periodo o le porte sono state aperte di frequente. L'aria tiepida entrata nel frigorifero ne provoca il funzionamento per un periodo più lungo. Aprire le porte meno frequentemente.
- La porta del frigorifero o del freezer è stata lasciata aperta. La/e porta/e non si chiude/chiudono.
- Il frigo è regolato a temperatura molto bassa. Regolare la temperatura del frigorifero ad un livello più alto e attendere fino a che la stessa sia acquisita.
- La chiusura della porta del frigorifero o del freezer può essere usurata, rotta o non inserita in modo appropriato. Pulire o sostituire la guarnizione. Guarnizioni rotte o danneggiate provocano il funzionamento del frigo per periodi più lunghi per mantenere la temperatura corrente.

La temperatura ambiente è molto bassa mentre la temperatura del frigorifero è sufficiente.

- Il frigo è regolato a temperatura molto bassa. Regolare la temperatura ad un livello più alto e controllare.

La temperatura ambiente è molto bassa mentre la temperatura del freezer è sufficiente.

- Il frigorifero potrebbe essere stato regolato a temperatura molto bassa. Regolare la temperatura ad un livello più alto e controllare.

Il cibo che è nei cassetti dello scomparto frigo si sta congelando.

- Il frigorifero potrebbe essere stato regolato a temperatura molto bassa. Regolare la temperatura ad un livello più alto e controllare.

La temperatura del frigo o freezer è molto alta.
<ul style="list-style-type: none"> • Il frigorifero potrebbe essere stato regolato a temperatura molto alta. La regolazione del frigorifero provoca effetti sulla temperatura del freezer. Cambiare la temperatura di frigo o freezer fino a che essa non raggiunge un livello sufficiente. • La porta del freezer rimane aperta per un lungo periodo o le porte sono state aperte di frequente; aprire con minore frequenza. • La porta potrebbe essere rimasta aperta; chiudere la porta completamente. • Grandi quantità di cibo caldo sono state recentemente inserite. Attendere fino a che il frigorifero o freezer non raggiungono la temperatura desiderata. • Il frigorifero è stato collegato alla presa di recente. Lo sbrinamento completo del frigorifero ha bisogno di tempo.
Il rumore aumenta quando il frigorifero sta lavorando.
<ul style="list-style-type: none"> • La performance operativa del frigorifero può cambiare secondo i cambiamenti della temperatura ambiente. Si tratta di una cosa normale e non di un guasto.
Vibrazioni o rumore.
<ul style="list-style-type: none"> • Il pavimento non è orizzontale o è debole. Il frigorifero ondeggia quando si sposta lentamente. Accertarsi che il pavimento sia in piano e forte abbastanza da sopportare il frigorifero. • Il rumore potrebbe essere provocato dagli oggetti nel frigorifero. Bisogna rimuovere gli oggetti sopra al frigorifero.
Ci sono rumori che provengono dal frigorifero come gocciolamenti o spruzzo di liquidi.
<ul style="list-style-type: none"> • Il flusso di liquido e gas si verifica secondo i principi operativi del frigorifero. Si tratta di una cosa normale e non di un guasto.
C'è un rumore come vento che soffia.
<ul style="list-style-type: none"> • Le ventole sono usate per raffreddare il frigorifero. Si tratta di una cosa normale e non di un guasto.
Condensa sulla parete interna del frigorifero.
<ul style="list-style-type: none"> • Il clima caldo/umido aumenta il ghiaccio e la condensa. Si tratta di una cosa normale e non di un guasto. • Le porte potrebbero essere state lasciate aperte; assicurarsi che sono completamente chiuse. • La porta del freezer rimane aperta per un lungo periodo o le porte sono state aperte di frequente; aprire con minore frequenza.
Umidità al di fuori del frigorifero o tra le porte.
<ul style="list-style-type: none"> • Potrebbe esserci umidità nell'aria; questo è normale nei climi umidi. Al diminuire dell'umidità, la condensa scompare.
Odore cattivo dentro al frigorifero.
<ul style="list-style-type: none"> • L'interno del frigorifero deve essere pulito. Pulire l'interno con una spugna, acqua tiepida o carbonata. • Alcuni contenitori o alcuni materiali per la confezione possono provocare odori. Usare contenitori diversi o marche diverse.
La porta non è chiusa.
<ul style="list-style-type: none"> • Il cibo impedisce la chiusura della porta. Sostituire le confezioni che ostruiscono la porta. • Il frigorifero non è completamente verticale sul pavimento e rotola quando è spostato leggermente. Regolare le viti di elevazione. • Il pavimento non è orizzontale o forte. Accertarsi che il pavimento sia in piano, forte e in grado di sopportare il frigorifero.
Gli scomparti frutta e verdura sono bloccati.
<ul style="list-style-type: none"> • Il cibo potrebbe toccare il tetto del cassetto. Risistemare il cibo nel cassetto.

Einbau-Kühlschrank



BSSA210K4SN

EAN: 8690842487002

Notizen

- Schlepptürtechnik
- 123er Nische
- 175 Liter Nutzinhalt
- nur 35 dB

Allgemein:

Typ: Einbau-Kühlschrank

Nettovolumen gesamt (l): 175

Gefrierfach: Ja

SmoothFit: Nein

ProSmart Inverter Kompressor: Nein

Einbau-Gerät: Ja

Display: Nein

Kühlmittel: R600a

Höhenverstellbare Füße: Ja

Kompressoren – Anzahl: 1

Temperatursteuerung: mechanisch

Farbe: Weiß

Kühlsystem: MinFrost

10 Jahre Kompressorgarantie: Nein

Türbefestigung Einbau: Schlepptür

Display Position: ---

Unterbaufähig: Nein

Türanschlag: rechts, wechselbar

Anzahl unabhängiger Kühlkreisläufe: 1

Einbau-Kühlschrank

Ausstattung Kühlbereich:

Nettovolumen Kühlbereich (l): 156
 Anzahl Ablagen: 4
 Anzahl Türablagen volle Breite: 3
 Eierbehälter Anzahl: 1
 Snack-Schublade: Nein
 Innenbeleuchtung: Ja
 Flaschenhalter: Ja
 Anzahl Gemüseschubladen: 1

Anzahl Ablagen verstellbar: 3
 Anzahl Türablagen halbe Breite: 0
 Butterfach: Nein
 Material Fachböden: Glas
 Position Innenbeleuchtung: oben
 Chrom-Flaschenregal: Nein

Features Kühlen

0°C-Zone: Nein
 Active Fresh Blue Light: Nein
 FreshGuard: Nein
 Geruchsfilter: Nein
 Schnellkühlen: Nein
 Türalarm: Nein

Everfresh+: Nein
 Harvest Fresh: Nein
 Ionizer: Nein
 Abtauung: automatisch
 Urlaubsmodus: Nein
 Temperaturalarm: Nein

Ausstattung Gefrierfach:

Nettovolumen Gefrierbereich (l): 19
 Eiswürfelschalen Anzahl: 1
 Abtauung: manuell
 Lagerzeit bei Störung (h): 13
 Türalarm: Nein

Anzahl Sterne: 4
 Kühlakkus Anzahl: 0
 Gefrierkapazität (kg/24h): 2
 Schnellgefrieren: Nein
 Temperaturalarm: Nein

Verbrauchswerte (VO (EU) 2019/2019)

Energieeffizienzindex (EEI):	99,7
Energieeffizienzklasse:	E*
Luftschallemissionen (in dB(A) re 1 pW):	35
Luftschallemissionsklasse	B*
Jährlicher Energieverbrauch (kWh / Jahr):	152
Klimaklasse:	SN-ST
Art der Lichtquelle:	LED
Klasse für die Lichtquelle:	G*

* Auf einer Skala von A (höchste Effizienz) bis G (niedrigste Effizienz)

Technische Daten

Frequenz (Hz): 50
 Kabellänge (cm): 210

Eingangsspannung (V): 220-240

Einbau-Kühlschrank

Maße und Gewicht

Unverpackt

Höhe (mm): 1215

Tiefe (mm): 545

Breite (mm): 540

Gewicht (kg): 38,5

Verpackt

Höhe (mm): 1290

Tiefe (mm): 600

Breite (mm): 575

Gewicht (kg): 42,2



Beko

BSSA210K4SN 7520320025



152 kWh/annum



19 L



156 L



35 dB

AB_{CD}

2019/2016

Produktdatenblatt

Name oder Handelsmarke des Lieferanten (b),(d):		Beko			
Anschrift des Lieferanten (b),(d):		Arctic S.A Gaesti, Dambovita, 13 Decembrie Street, No 210, Romania			
Modellkennung (d) :		BSSA210K4SN-7520320025			
Type of refrigerating appliance:		Kühlschrank mit Gefrierfach			
Geräuscharmes Gerät:	NEIN	Bauart:	Einbaugerät		
Weinlagerschrank:	NEIN	Anderes Kühlgerät:	JA		
Allgemeine Produktparameter:					
Parameter		Wert	Parameter		Wert
Gesamtabmessungen (in Millimeter)	Höhe	1215	Gesamtrauminhalt (in dm3 Breite x oder l)		175
	Breite	540	Energieeffizienzklasse		E
	Tiefe	545	Luftschallemissionsklasse		B
EEI	100	Klimaklasse:	Extended temperate /Subtropical		
Luftschallemissionsklasse(db(A) ref 1 pW)	35				
Jährlicher Energieverbrauch (in kWh/a)	152				
Höchstumgebungstemperatur (in °C), für die das Kühlgerät geeignet ist	10	Höchstumgebungstemperatur (in °C), für die das Kühlgerät geeignet ist		38	
Winterschaltung	NEIN				
Fachparameter:					
Fachtyp		Fachparameter und -werte			
		Rauminhalt des Fachs (in dm3 oder l)	Empfohlene Temperatur-einstellung für eine optimierte Lebensmittellagerung (in °C) Diese Einstellungen dürfen nicht im Widerspruch zu den Lagerbedingungen gemäß Anhang IV Tabelle 3 stehen;	Gefriervermögen (in kg/24h)	Entfrostsart (automatische Entfrostsung = A, manuelle Entfrostsung = M)
Speisekammerfach	NEIN	-	-	-	-
Weinlagerfach	NEIN	-	-	-	-
Kellerfach	NEIN	-	-	-	-
Lagerfach für frische Lebensmittel	JA	156	4	-	M
Kaltlagerfach	NEIN	-	-	-	-
Null-Sterne- oder Eisbereiterfach	NEIN	-	-	-	-
Ein-Stern-Fach	NEIN	-	-	-	-
Zwei-Sterne-Fach	NEIN	-	-	-	-
Drei-Sterne-Fach	NEIN	-	-	-	-
Vier-Sterne-Fach	JA	19	-18	2	M
Zwei-SterneAbteil	NEIN	-	-	-	-
Fach mit variabler Temperatur	NEIN	-	-	-	-
Für Vier-Sterne-Fächer					
Schnelleinfrierfunktion	NEIN				
Für Weinlagerschränke					
Anzahl der Standardweinflaschen	-				
Lichtquellenparameter (a) (b):					
Art der Lichtquelle	LED				
Energieeffizienzklasse	G				
Mindestlaufzeit der vom Hersteller angebotenen Garantie (b),(d) :	24 Monate				
Weitere Angaben:					
Weblink zur Website des Herstellers, auf der die Informationen gemäß Nummer 4 Buchstabe a des Anhangs der Verordnung (EU) 2019/2019 der Kommission (1) (b) zu finden sind:					
http://support.beko.com					
<small>(a) Gemäß der Delegierten Verordnung (EU) 2019/2015 der Kommission (2). (b) Änderungen dieser Einträge gelten nicht als relevante Änderungen im Sinne des Artikels 4 Absatz 4 der Verordnung (EU) 2017/1369. (d) Dieser Eintrag gilt nicht als relevant im Sinne des Artikels 2 Absatz 6 der Verordnung (EU) 2017/1369</small>					