

BBIE110N2X

EAN: 8690842803796



Notizen

- Multifunktionsofen mit 6 Funktionen
- SteamShine-Reinigung
- Edelstahl-Blende

Allgemein:

Typ: Einbau-Backofen

Kochfeld-Typ: ---

Einbaugerät: Ja

Display: ---

Anschlusskabel: Ja

Wassertank mit Füllstandanzeige

(Dampfgaren): Nein

Schublade im Sockel: Nein

Ofentyp: Multifunktionsofen

Farbe: Edelstahl

Elektronische Sperre – Typ: ---

Herdsteuerungstyp: mechanisch

Konnektivität: ---

Kochfeld-Abdeckung: ---

Einbau-Backofen

Ofen:

Ofen-Typ: Einbau-Backofen	Display: Nein
Türanschlag: unten	Versenkbare Knebel: Nein
Booster-Funktion – Schnellaufheizung: Nein	Einschubebenen: 5
Pyrolyse: Nein	Türverriegelung im Pyrolysevorgang: Nein
SteamShine: Ja	SteamShine+: Nein
Automatische Innenbeleuchtung bei Türöffnung: Nein	Soft-Close-Türschließmechanismus: Nein
Innentür-Typ: Vollverglast	Innenglas herausnehmbar: Ja
Innenverglasung: 2-fach	Cool Door: Nein
Herausnehmbare Seitengitter: Nein	Teleskopauszüge: Nein
Innen-Rückwand: Emailliert	Clean-Zone: Nein
Abklappbarer Grill: Nein	Kleinflächengrill: Nein
Drehspieß: Nein	Bratenthermometer: Nein
Mikrowellenfunktion: Nein	Automatische Garprogramme: Nein
PizzaPro: Nein	Dampfgarfunktion: Nein

Funktionen:

Anzahl: 6	
Umluft	Ober-/Unterhitze
Umluftgrill	Grill
Booster	Unterhitze

Zubehör:

Universalblech, emailliert: 1	Fettpfanne, emailliert: 0
Grillrost: 1	Seitengitter: 0
Teleskopauszug: 0	
Zubehör pyrolysefähig: ---	

Verbrauchswerte (VO (EU) 65/2014)

Energieeffizienzindex EEl: 95,2
Energieeffizienzklasse: A*
Energieverbrauch (kWh), konventionell: 0,95
Energieverbrauch (kWh), Umluft: 0,79
Anzahl der Garräume: 1
Wärmequelle: elektrisch
Nutzbares Volumen (l): 66
Art des Ofens: Einbauofen

* Auf einer Skala von A+++ (höchste Effizienz) bis D (niedrigste Effizienz)

Technische Daten

Frequenz (Hz): 50	Anschlusswert (W): 2400
	Spannung (V): 220-240

Einbau-Backofen

Maße und Gewicht

Unverpackt

Höhe (mm): 595

Breite (mm): 595

Tiefe (mm): 567

Gewicht (kg): 26

Nischenmaße:

Undercounter (HxBxT in mm): 600 x 560 x 550

Hocheinbau (HxBxT in mm): 590 x 560 x 550

Verpackt

Höhe (mm): 655


Breite (mm): 660

Tiefe (mm): 660


Gewicht (kg): 28,4

Einbau-Backofen




 **ENERG** Y IJA
енергия · ενέργεια IE IA


beko BBIE110N2X




A+++
A++
A+
A
B
C
D

A


66 L


0.95 kWh/cycle*


0.79 kWh/cycle*

* цикъл . cyklus . portion . zykus . πρόγραμμα . ciclo . tsükkel . ohjelma . ciklus . ciklas . cikls . ciklu . cyclus . cykl . ciclu . program . cykel

65/2014

7739182929 385445543 / AA K 85x170 mm



Built-in Hob

User Manual

Einbau-Kochfeld

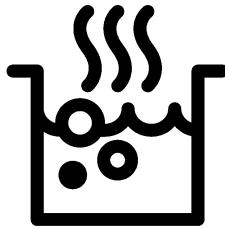
Gebrauchsanleitung

Table de cuisson encastrable

Manuel de l'utilisateur

Inbouwkookplaat

Gebruikershandleiding



HIC 64100 X

EN / DE / FR / NL

185.9102.39/R.AD/25.11.2019/2-1

7756182901

Please read this user manual first!

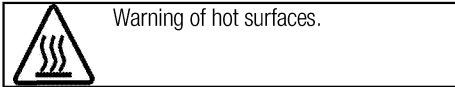
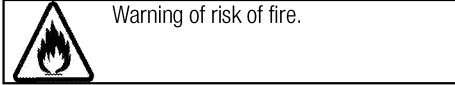
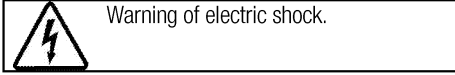
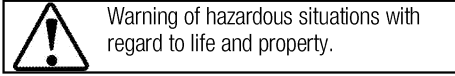
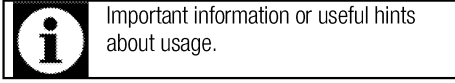
Dear Customer,

Thank you for purchasing this Beko product. We hope that you get the best results from your product which has been manufactured with high quality and state-of-the-art technology. Therefore, please read this entire user manual and all other accompanying documents carefully before using the product and keep it as a reference for future use. If you handover the product to someone else, give the user manual as well. Follow all warnings and information in the user manual.

Remember that this user manual is also applicable for several other models. Differences between models will be identified in the manual.

Explanation of symbols

Throughout this user manual the following symbols are used:



Arçelik A.Ş.
Karaağaç caddesi No:2-6
34445 Sütlüce/Istanbul/TURKEY
Made in TURKEY



This product was manufactured using the latest technology in environmentally friendly conditions.

**1 Important instructions and warnings
for safety and environment 4**

General safety 4
 Electrical safety 4
 Product safety 5
 Intended use 6
 Safety for children..... 6
 Disposing of the old product..... 7
 Package information 7
 Future Transportation..... 7

2 General information 8

Overview 8
 Technical specifications 9

3 Installation 10

Before installation 10
 Installation and connection 10

4 Preparation 13

Tips for saving energy 13
 Initial use..... 13
 First cleaning of the appliance..... 13

5 How to use the hob 14

General information about cooking 14
 Using the hobs..... 14

6 Maintenance and care 16

General information..... 16
 Cleaning the hob..... 16
 Cleaning the control panel 16

7 Troubleshooting 17

1 Important instructions and warnings for safety and environment

This section contains safety instructions that will help protect from risk of personal injury or property damage. Failure to follow these instructions shall void any warranty.

General safety

- This appliance can be used by children aged from 8 years and above and persons with reduced physical, sensory or mental capabilities or lack of experience and knowledge if they have been given supervision or instruction concerning use of the appliance in a safe way and understand the hazards involved.

Children shall not play with the appliance. Cleaning and user maintenance shall not be made by children without supervision.

- The appliance is not to be used by persons (including children) with reduced physical, sensory or mental capabilities, or lack of experience and knowledge, unless they have been given supervision or instruction. Children should be supervised and ensure they do not play with the appliance
- If the product is handed over to someone else for personal use or second-hand use purposes, the

user manual, product labels and other relevant documents and parts should be also given.

- Installation and repair procedures must always be performed by Authorised Service Agents. The manufacturer shall not be held responsible for damages arising from procedures carried out by unauthorised persons which may also void the warranty. Before installation, read the instructions carefully.
- Do not operate the product if it is defective or has any visible damage.
- Ensure that the product function knobs are switched off after every use.

Electrical safety

- If the product has a failure, it should not be operated unless it is repaired by an Authorised Service Agent. There is the risk of electric shock!
- Only connect the product to a grounded outlet/line with the voltage and protection as specified in the "Technical specifications". Have the grounding installation made by a qualified electrician while using the product with or without a

transformer. Our company shall not be liable for any problems arising due to the product not being earthed in accordance with the local regulations.

- Never wash the product by spreading or pouring water onto it! There is the risk of electric shock!
- The product must be disconnected during installation, maintenance, cleaning and repairing procedures.
- If the power connection cable for the product is damaged, it must be replaced by the manufacturer, its service agent or similarly qualified persons in order to avoid a hazard.
- Only use the connection cable specified in the “Technical specifications”.
- The appliance must be installed so that it can be completely disconnected from the mains supply. The separation must be provided by a switch built into the fixed electrical installation, according to construction regulations.
- Any work on electrical equipment and systems should only be carried out by authorised and qualified persons.
- In case of any damage, switch off the product and disconnect it

from the mains. To do this, turn off the fuse at home.

- Make sure that fuse rating is compatible with the product.

Product safety

- **WARNING:** The appliance and its accessible parts become hot during use. Care should be taken to avoid touching heating elements. Children less than 8 years of age shall be kept away unless continuously supervised.
- Never use the product when your judgment or coordination is impaired by the use of alcohol and/or drugs.
- Be careful when using alcoholic drinks in your dishes. Alcohol evaporates at high temperatures and may cause fire since it can ignite when it comes into contact with hot surfaces.
- Do not place any flammable materials close to the product as the sides may become hot during use.
- Keep all ventilation slots clear of obstructions.
- Do not use steam cleaners to clean the appliance as this may cause an electric shock.
- **WARNING:** Unattended cooking on a hob with fat or oil can be dangerous and may result in fire. NEVER try to extinguish a fire with water, but switch off the

appliance and then cover flame e.g. with a lid or a fire blanket.

- **CAUTION:** The cooking process has to be supervised. A short term cooking process has to be supervised continuously.
- **WARNING:** Danger of fire: Do not store items on the cooking surfaces.
- **WARNING:** If the surface is cracked, switch off the appliance to avoid the possibility of electric shock.
- In case of hotplate glass breakage : Immediately shut off all burners and any electrical heating element and isolate the appliance from the power supply. Do not touch the appliance surface. Do not use the appliance.
- The appliance is not intended to be operated by means of an external timer or separate remote-control system.
- Vapour pressure that build up due to the moisture on the hob surface or at the bottom of the pot can cause the pot to move. Therefore, make sure that the oven surface and bottom of the pots are always dry.
- **WARNING:** Use only hob guards designed by the manufacturer of the cooking appliance or indicated by the manufacturer of the appliance in the instructions

for use as suitable or hob guards incorporated in the appliance. The use of inappropriate guards can cause accidents.

Prevention against possible fire risk!

- Ensure all electrical connections are secure and tight to prevent risk of arcing.
- Do not use damaged cables or extension cables.
- Ensure liquid or moisture is not accessible to the electrical connection point.

Intended use

- This product is designed for domestic use. Commercial use will void the guarantee.
- **CAUTION:** This appliance is for cooking purposes only. It must not be used for other purposes, for example room heating.
- The manufacturer shall not be liable for any damage caused by improper use or handling errors.

Safety for children

- **WARNING:** Accessible parts may become hot during use. Young children should be kept away.
- The packaging materials will be dangerous for children. Keep the packaging materials away from children. Please dispose of all parts of the packaging according to environmental standards.
- Electrical products are dangerous to children. Keep children away

from the product when it is operating and do not allow them to play with the product.

- Do not place any items above the appliance that children may reach for.

Disposing of the old product

Compliance with the WEEE Directive and Disposing of the Waste Product:



This product complies with EU WEEE Directive (2012/19/EU). This product bears a classification symbol for waste electrical and electronic equipment (WEEE).

This product has been manufactured with high quality parts and materials which can be reused and are suitable for recycling. Do not dispose of the waste product with normal domestic and other wastes at the end of its service life. Take it to the collection center for the recycling of electrical and electronic equipment.

Please consult your local authorities to learn about these collection centers.

Compliance with RoHS Directive:

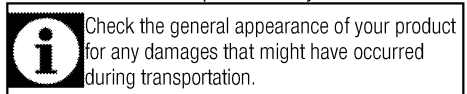
The product you have purchased complies with EU RoHS Directive (2011/65/EU). It does not contain harmful and prohibited materials specified in the Directive.

Package information

- Packaging materials of the product are manufactured from recyclable materials in accordance with our National Environment Regulations. Do not dispose of the packaging materials together with the domestic or other wastes. Take them to the packaging material collection points designated by the local authorities.

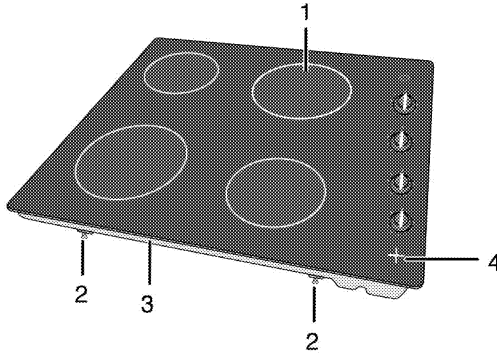
Future Transportation

- Keep the product's original carton and transport the product in it. Follow the instructions on the carton. If you do not have the original carton, pack the product in bubble wrap or thick cardboard and tape it securely.

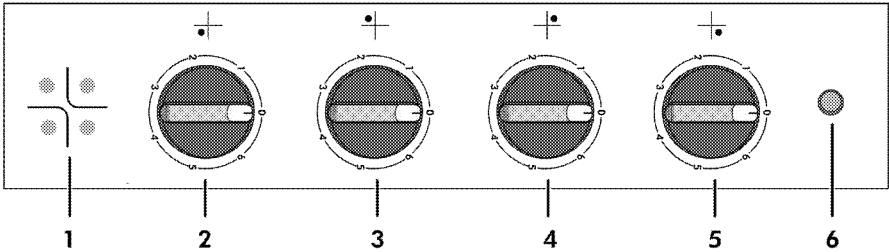


2 General information

Overview



- | | | | |
|---|------------------------------|---|---|
| 1 | Single-circuit cooking plate | 3 | Base cover |
| 2 | Assembly clamp | 4 | Hob hot (Residual heat) indicator light |



- | | | | |
|---|---|---|---|
| 1 | Hob hot (Residual heat) indicator light | 4 | Single-circuit cooking plate Rear left |
| 2 | Single-circuit cooking plate Front right | 5 | Single-circuit cooking plate Rear right |
| 3 | Single-circuit cooking plate Front left | 6 | Warning lamp |

Technical specifications

Voltage / frequency	220-240 V/380-415V 2N ~ 50 Hz
Total power consumption	5800 W
Cable type / section	min.H05V2V2-F 3 x 2,5 mm ² / 5 x 1,5 mm ²
External dimensions (height / width / depth)	71 mm/580 mm/510 mm
Installation dimensions (width / depth)	560(+2) mm /490(+2) mm
Burners	
Front right	Single-circuit cooking plate
Dimension	140 mm
Power	1200 W
Front left	Single-circuit cooking plate
Dimension	180 mm
Power	1700 W
Rear left	Single-circuit cooking plate
Dimension	140 mm
Power	1200 W
Rear right	Single-circuit cooking plate
Dimension	180 mm
Power	1700 W



Technical specifications may be changed without prior notice to improve the quality of the product.



Figures in this manual are schematic and may not exactly match your product.



Values stated on the product labels or in the documentation accompanying it are obtained in laboratory conditions in accordance with relevant standards. Depending on operational and environmental conditions of the product, these values may vary.

3 Installation

Product must be installed by a qualified person in accordance with the regulations in force. The manufacturer shall not be held responsible for damages arising from procedures carried out by unauthorized persons which may also void the warranty.



Preparation of location and electrical installation for the product is under customer's responsibility.



DANGER:

The product must be installed in accordance with all local electrical regulations.



DANGER:

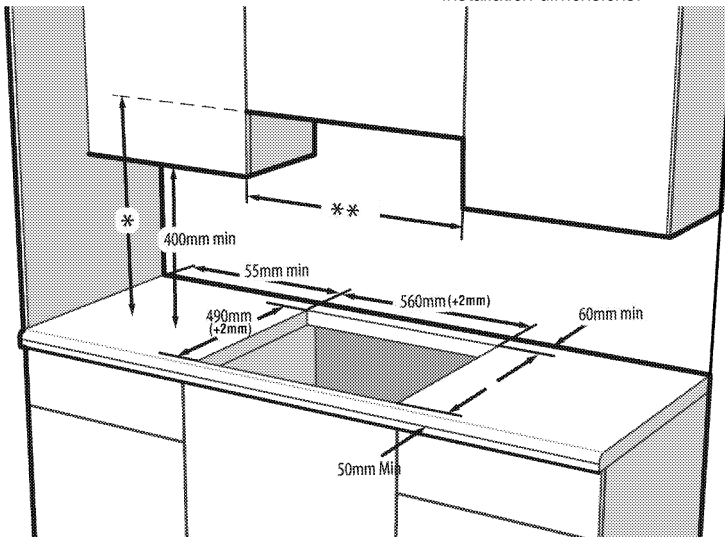
Prior to installation, visually check if the product has any defects on it. If so, do not have it installed.

Damaged products cause risks for your safety.

Before installation

The hob is designed for installation into commercially available work tops. A safety distance must be left between the appliance and the kitchen walls and furniture. See figure (values in mm).

- It can also be used in a free standing position. Allow a minimum distance of 750 mm above the hob surface.
- (*) If a cooker hood is to be installed above the cooker, refer to cooker hood manufacturer' instructions regarding installation height (min 650 mm)
- Remove packaging materials and transport locks.
- Surfaces, synthetic laminates and adhesives used must be heat resistant (100 °C minimum).
- The worktop must be aligned and fixed horizontally.
- Cut aperture for the hob in worktop as per installation dimensions.



* Minimum height to extractor as recommend in extractor instruction manual

** Minimum distance between cabinetry must be equal to width of hob

Installation and connection

- The product must be installed in accordance with all local gas and electrical regulations.



Do not install the hob on places with sharp edges or corners.
There is the risk of breaking for glass ceramic surface!

Electrical connection

Connect the product to a grounded outlet/line protected by a miniature circuit breaker of suitable capacity as stated in the "Technical specifications" table. Have the grounding installation made by a qualified electrician while using the product with or without a transformer. Our company shall not be liable for any damages that will arise due to using the product without a grounding installation in accordance with the local regulations.

**DANGER:**

The product must be connected to the mains supply only by an authorised and qualified person. The product's warranty period starts only after correct installation. Manufacturer shall not be held responsible for damages arising from procedures carried out by unauthorised persons.

**DANGER:**

The power cable must not be clamped, bent or trapped or come into contact with hot parts of the product.
A damaged power cable must be replaced by a qualified electrician. Otherwise, there is risk of electric shock, short circuit or fire!

- Connection must comply with national regulations.
- The mains supply data must correspond to the data specified on the type label of the product. Type label is at the rear housing of the product.
- Power cable of your product must comply with the values in "Technical specifications" table.

**DANGER:**

Before starting any work on the electrical installation, disconnect the product from the mains supply.
There is the risk of electric shock!

Connecting the power cable

While performing the wiring, you must apply with the national/local electrical regulations and must use the appropriate socket outlet/line and plug for oven. In case of the product's power limits are out of current carrying capability of plug and socket outlet/line, the product must be connected through fixed electrical installation directly without using plug and socket outlet/line.

1. If a power cable is not supplied together with your product, a power cable that you would select from the table (*Technical specifications, page 9*) in accordance with the electrical installation at your home must be connected to your product by following the instructions in cable diagram.

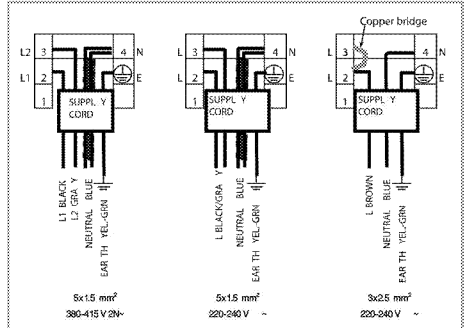
If it is not possible to disconnect all poles in the supply power, a disconnection unit with at least 3 mm contact clearance (fuses, line safety switches, contactors) must be connected and all the poles of this disconnection unit must be adjacent to (not above) the product in accordance with IEE directives. Failure to

obey this instruction may cause operational problems and invalidate the product warranty.



Additional protection by a residual current circuit breaker is recommended.

2. Open the terminal block cover with a screwdriver.
3. Insert the power cable through the cable clamp below the terminal and secure it to the main body with the integrated screw on cable clamping component.
4. Connect the cables according to the supplied diagram.



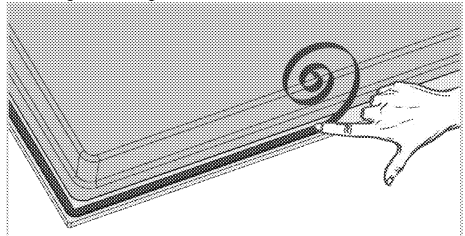
5. After completing the wire connections, close the terminal block cover.
6. Route the power cable so that it will not contact the product and get squeezed between the product and the wall.



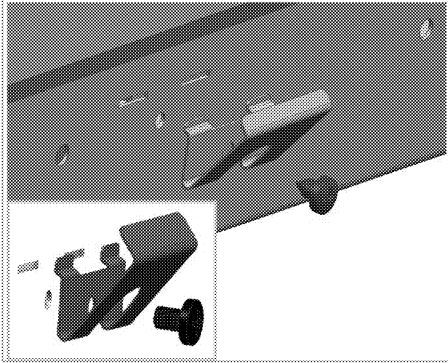
Power cable must not be longer than 2 m because of safety reasons.

Installing the product

1. Turning the hob upside down, place it on a flat surface.
2. When installing the hob, apply the sealing gasket, which was provided in the packaging, around the hob as shown in the following picture, ensuring that it remains 1 to 2 mm inside from the outer edge of the glass.



- Fix the mounting springs inserting and screwing them through the holes of the bottom case as shown in the figure.

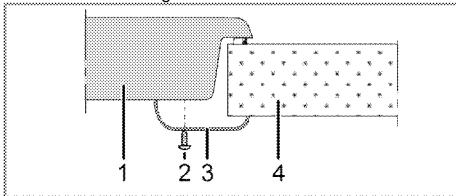


For some models, your product may come with the mounting springs already fitted on it.



The number of mounting springs on your product varies depending on product model.

- Place the hob on the counter and align it.
- When the hob is placed on the counter top it will be fixed easily with the help of the clamps. If the installation with these clamps is not sufficient for your cooktop, additional 2 mounting clamps can be fixed to the front side of the product as shown in the below figure.

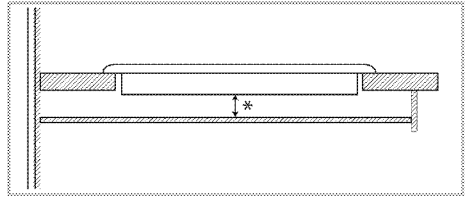


- Hob
- Screw
- Installation clamp
- Counter



When installing the hob onto a cabinet, a shelf must be installed in order to separate the cabinet from the hob as illustrated in the above figure. This is not required when installing onto a built-under oven.

For example, if it is possible to touch the bottom of the product since it is installed onto a drawer, this section must be covered with a wooden plate.

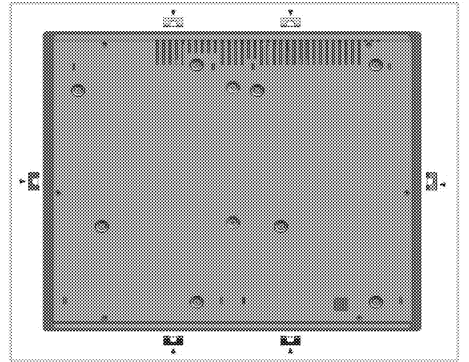


* min. 15 mm

Rear view (connection holes)



Location of the connection holes shown in the below figure are schematic, may vary depending on the product model. Fix them according to connection holes on your product.



DANGER:

Making connections to different holes is not a good practice in terms of safety since it can damage the gas and electrical system.



DANGER:

There are gas and electrical components contained within this hob, therefore when fitting the mounting springs/clamps only attach the supplied fixings to the connection holes shown in this manual. Failure to observe this advise may lead to life and property safety



The number of mounting springs on your product varies depending on product model.

Final check

- Operate the product.
- Check the functions.

4 Preparation

Tips for saving energy

The following information will help you to use your appliance in an ecological way, and to save energy:

- Defrost frozen dishes before cooking them.
- Use pots/pans with cover for cooking. If there is no cover, energy consumption may increase 4 times.
- Select the burner which is suitable for the bottom size of the pot to be used. Always select the correct pot size for your dishes. Larger pots require more energy.
- Pay attention to use flat bottom pots when cooking with electric hobs. Pots with thick bottom will provide a better heat conduction. You can obtain energy savings up to 1/3.
- Vessels and pots must be compatible with the cooking zones. Bottom of the vessels or pots must not be smaller than the hotplate.

- Keep the cooking zones and bottom of the pots clean. Dirt will decrease the heat conduction between the cooking zone and bottom of the pot.
- For long cookings, turn off the cooking zone 5 or 10 minutes before the end of cooking time. You can obtain energy savings up to 20% by using the residual heat.

Initial use

First cleaning of the appliance



The surface might get damaged by some detergents or cleaning materials.

Do not use aggressive detergents, cleaning powders/creams or any sharp objects during cleaning.

Do not use harsh abrasive cleaners or sharp metal scrapers to clean the oven door glass since they can scratch the surface, which may result in shattering of the glass.

1. Remove all packaging materials.
2. Wipe the surfaces of the appliance with a damp cloth or sponge and dry with a cloth.

5 How to use the hob

General information about cooking



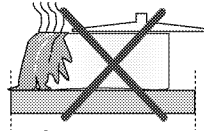
Never fill the pan with oil more than one third of it. Do not leave the hob unattended when heating oil. Overheated oils bring risk of fire. **Never attempt to extinguish a possible fire with water!** When oil catches fire, cover it with a fire blanket or damp cloth. Turn off the hob if it is safe to do so and call the fire department.

- Before frying foods, always dry them well and gently place into the hot oil. Ensure complete thawing of frozen foods before frying.
- Do not cover the vessel you use when heating oil.
- Place the pans and saucepans in a manner so that their handles are not over the hob to prevent heating of the handles. Do not place unbalanced and easily tilting vessels on the hob.
- Do not place empty vessels and saucepans on cooking zones that are switched on. They might get damaged.
- Operating a cooking zone without a vessel or saucepan on it will cause damage to the product. Turn off the cooking zones after the cooking is complete.
- As the surface of the product can be hot, do not put plastic and aluminum vessels on it. Clean any melted such materials on the surface immediately. Such vessels should not be used to keep foods either.
- Use flat bottomed saucepans or vessels only.
- Put appropriate amount of food in saucepans and pans. Thus, you will not have to make any unnecessary cleaning by preventing the dishes from overflowing.
Do not put covers of saucepans or pans on cooking zones.
Place the saucepans in a manner so that they are centered on the cooking zone. When you want to move the saucepan onto another cooking zone, lift and place it onto the cooking zone you want instead of sliding it.

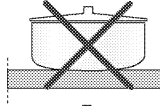
Tips about glass ceramic hobs

- Glass ceramic surface is heatproof and is not affected by big temperature differences.

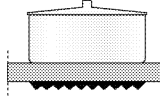
- Do not use the glass ceramic surface as a place of storage or as a cutting board.
- Use only the saucepans and pans with machined bottoms. Sharp edges create scratches on the surface.
- Do not use aluminum vessels and saucepans. Aluminum damages the glass ceramic surface.



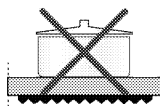
Spills may damage the glass ceramic surface and cause fire.



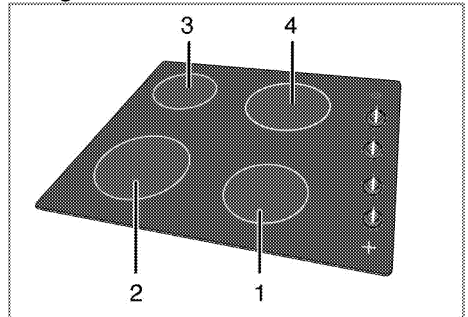
Do not use vessels with concave or convex bottoms.



Use only the saucepans and pans with flat bottoms. They ensure easier heat transfer. If the diameter of the saucepan is too small, energy will be wasted.



Using the hobs



- 1 Single-circuit cooking plate 14-16cm
- 2 Single-circuit cooking plate 18-20cm
- 3 Single-circuit cooking plate 14-16cm
- 4 Single-circuit cooking plate 18-20 cm is list of advised diameter of pots to be used on related burners.

**DANGER:**

Do not allow any object to drop on the hob. Even small objects such as a saltshaker may damage the hob.

Do not use cracked hobs. Water may leak through these cracks and cause short circuit. In case of any kind of damage on the surface (eg., visible cracks), switch off the product immediately to minimize the risk of electric shock.

Glass ceramic hob is equipped with an operation light and a hot zone warning indicator.

Hot zone warning indicator indicates the status of the active zone and it remains lit after the plate is turned off. When the temperature of the plate cools down to a level that it can be touched by hand, warning indicator turns off. Flickering of the hot zone warning indicator is not a failure.

Turning on the ceramic plates

The hob control knobs are used for operating the plates. To obtain the desired cooking power, turn the hob control knobs to the corresponding level.

Cooking level	1	2 — 3	4 — 6
	warming	stewing, simmering	cooking, roasting, boiling

Turning off the ceramic plates

Turn the plate knob to OFF (upper) position.

6 Maintenance and care

General information

Service life of the product will extend and the possibility of problems will decrease if the product is cleaned at regular intervals.

**DANGER:**

Disconnect the product from mains supply before starting maintenance and cleaning works.

There is the risk of electric shock!

**DANGER:**

Allow the product to cool down before you clean it.

Hot surfaces may cause burns!

- Clean the product thoroughly after each use. In this way it will be possible to remove cooking residues more easily, thus avoiding these from burning the next time the appliance is used.
- No special cleaning agents are required for cleaning the product. Use warm water with washing liquid, a soft cloth or sponge to clean the product and wipe it with a dry cloth.
- Always ensure any excess liquid is thoroughly wiped off after cleaning and any spillage is immediately wiped dry.
- Do not use cleaning agents that contain acid or chloride to clean the stainless or inox surfaces and the handle. Use a soft cloth with a liquid detergent (not abrasive) to wipe those parts clean, paying attention to sweep in one direction.



The surface might get damaged by some detergents or cleaning materials.

Do not use aggressive detergents, cleaning powders/creams or any sharp objects during cleaning.

Do not use harsh abrasive cleaners or sharp metal scrapers to clean the oven door glass since they can scratch the surface, which may result in shattering of the glass.



Do not use steam cleaners to clean the appliance as this may cause an electric shock.

Cleaning the hob

Glass ceramic surfaces

Wipe the glass ceramic surface using a piece of cloth dampened with cold water in a manner as not to leave any cleaning agent on it. Dry with a soft and dry cloth. Residues may cause damage on the glass ceramic surface when using the hob for the next time.

Dried residues on the glass ceramic surface should under no circumstances be scraped with hook blades, steel wool or similar tools.

Remove calcium stains (yellow stains) by a small amount of lime remover such as vinegar or lemon juice. You can also use suitable commercially available products.

If the surface is heavily soiled, apply the cleaning agent on a sponge and wait until it is absorbed well. Then, clean the surface of the hob with a damp cloth.



Sugar-based foods such as thick cream and syrup must be cleaned promptly without waiting the surface to cool down. Otherwise, glass ceramic surface may be damaged permanently.

Slight color fading may occur on coatings or other surfaces in time. This will not affect operation of the product.

Color fading and stains on the glass ceramic surface is a normal condition, and not a defect.

Cleaning the control panel

Clean the control panel and knobs with a damp cloth and wipe them dry.



If your product is equipped with buttons/knobs do not remove the control buttons/knobs to clean the control panel.

Control panel may get damaged!

7 Troubleshooting

Product emits metal noises while heating and cooling.

- When the metal parts are heated, they may expand and cause noise. >>> *This is not a fault.*

Product does not operate.

- The mains fuse is defective or has tripped. >>> *Check fuses in the fuse box. If necessary, replace or reset them.*
- Product is not plugged into the (grounded) socket. >>> *Check the plug connection.*

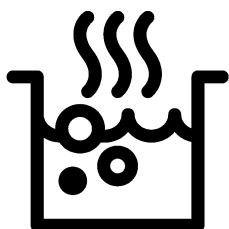


Consult the Authorised Service Agent or technician with licence or the dealer where you have purchased the product if you can not remedy the trouble although you have implemented the instructions in this section. Never attempt to repair a defective product yourself.



Einbau-Kochfeld

Gebrauchsanleitung



DE

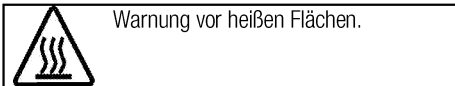
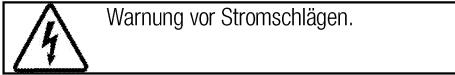
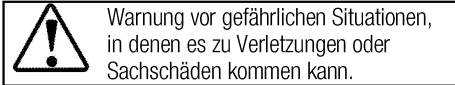
Bitte zuerst diese Bedienungsanleitung lesen!

Sehr geehrte Kundin, sehr geehrter Kunde,
vielen Dank für den Kauf eines Beko-Produktes. Wir hoffen, dass dieses Produkt, das mit hochwertiger und hochmoderner Technologie hergestellt wurde, beste Ergebnisse erzielt. Daher bitte die gesamte Bedienungsanleitung und alle beiliegenden Dokumente aufmerksam durchlesen und zum zukünftigen Nachschlagen aufbewahren. Bei Weitergabe des Produktes auch die Bedienungsanleitung mit aushändigen. Alle Warnungen und Informationen in der Bedienungsanleitung einhalten.

Bitte beachten, dass diese Bedienungsanleitung für unterschiedliche Modelle geschrieben wurde. Unterschiede zwischen den verschiedenen Modellen werden natürlich in der Anleitung erwähnt.

Die Symbole

In dieser Anleitung verwenden wir folgende Symbole:



Arçelik A.Ş.
Karaağaç caddesi No:2-6
34445 Sütlüce/Istanbul/TURKEY
Made in TURKEY

1 Wichtige Sicherheits- und Umwelthinweise **4**

Allgemeine Sicherheit.....	4
Elektrische Sicherheit.....	5
Produktsicherheit.....	5
Bestimmungsgemäße Verwendung.....	7
Sicherheit von Kindern.....	7
Altgeräte entsorgen.....	8
Verpackungsmaterialien entsorgen.....	8
Transport.....	8

2 Allgemeine Informationen **9**

Geräteübersicht.....	9
Technische Daten.....	10

3 Installation **11**

Vor der Installation.....	11
Einbauen und Anschließen.....	11

4 Vorbereitungen **15**

Tipps zum Energiesparen.....	15
Erste Inbetriebnahme.....	15
Erstreinigung des Gerätes.....	15

5 Bedienung Kochfeld **16**

Allgemeine Hinweise zum Kochen.....	16
Kochfeld verwenden.....	17

6 Reinigung und Wartung **18**

Allgemeine Hinweise.....	18
Kochfeld reinigen.....	18
Bedienfeld reinigen.....	18

7 Problemlösungen **19**

1 Wichtige Sicherheits- und Umwelthinweise

Dieser Abschnitt enthält Hinweise, die für die Sicherheit des Benutzers und anderer Personen unerlässlich sind. Diese Hinweise müssen beachtet werden, damit es nicht zu Verletzungen oder Sachschäden kommt.

Bei Nichteinhaltung dieser Anweisungen erlöschen sämtliche Garantieansprüche.

Allgemeine Sicherheit

- Dieses Gerät darf von Kindern (ab acht Jahren) oder Personen bedient werden, die unter körperlichen, sensorischen oder geistigen Einschränkungen leiden oder denen es an der nötigen Erfahrung und Wissen im Umgang mit solchen Geräten mangelt, wenn solche Personen beaufsichtigt werden und, zuvor gründlich mit der sicheren Bedienung des Gerätes vertraut gemacht wurden und sich der damit verbundenen Gefahren voll und ganz bewusst sind. Kinder dürfen nicht mit dem Gerät spielen. Reinigungs- und Wartungsarbeiten dürfen von Kindern nicht ohne Aufsicht eines Erwachsenen durchgeführt werden.
- Das Gerät darf nicht von Personen genutzt werden, die unter körperlichen oder geistigen Einschränkungen leiden oder denen es an der nötigen Erfahrung im Umgang mit solchen Geräten mangelt. Ausnahmen sind nur dann möglich, wenn solche Personen beaufsichtigt werden oder gründlich über den richtigen Umgang mit dem Gerät aufgeklärt wurden. Dies gilt natürlich auch für Kinder. Kinder müssen stets beaufsichtigt werden, damit sie nicht mit dem Gerät spielen.
- Falls das Produkt an jemand anderen zur persönlichen oder Secondhand-Benutzung übergeben wird, sollten Bedienungsanleitung, Produktetiketten und andere relevante Dokumente und Teile ebenfalls übergeben werden.
- Installation und Reparaturen müssen grundsätzlich vom autorisierten Kundendienst ausgeführt werden. Der Hersteller haftet nicht für Schäden, die durch den Eingriff nicht autorisierter Personen entstehen; zudem kann dadurch die Garantie erlöschen. Vor der Installation aufmerksam alle Anweisungen lesen.
- Gerät nicht nutzen, falls es nicht ordnungsgemäß funktioniert oder

sichtbare Beschädigungen aufweist.

- Nach jeder Benutzung prüfen, ob die Funktionsknöpfe des Produktes ausgeschaltet sind.

Elektrische Sicherheit

- Falls das Produkt einen Fehler aufweist, sollte es bis zur Reparatur durch einen autorisierten Kundendienstmitarbeiter nicht in Betrieb genommen werden. Es besteht Stromschlaggefahr!
- Schließen Sie das Produkt nur an eine geerdete Steckdose an, deren Spannung und Schutz den Angaben unter „Technische Daten“ entsprechen. Lassen Sie durch einen qualifizierten Elektriker eine Erdung vornehmen. Unser Unternehmen haftet nicht für Probleme, die durch ein nicht entsprechend den örtlichen Richtlinien geerdetes Produkt entstehen.
- Reinigen Sie das Produkt niemals, indem Sie Wasser darauf verteilen oder schütten! Es besteht Stromschlaggefahr!
- Das Produkt darf während Installation, Wartung, Reinigung und Reparatur nicht an eine Steckdose angeschlossen sein.
- Falls das Netzkabel des Produktes beschädigt ist, muss es zur Vermeidung von Gefahren vom

Hersteller, einem Kundendienstmitarbeiter oder vergleichbar qualifizierten Personen ausgetauscht werden.

- Verwenden Sie nur das unter „Technische Daten“ angegebene Anschlusskabel.
- Das Gerät muss so installiert sein, dass es vollständig vom Netzwerk getrennt werden kann. Die Trennung muss entsprechend den Baurichtlinien entweder durch einen Netzstecker oder einen in der festen elektrischen Installation eingebauten Schalter ermöglicht werden.
- Jegliche Arbeiten an elektrischen Geräten und Systemen sollten von autorisierten und qualifizierten Personen ausgeführt werden.
- Schalten Sie das Gerät bei Schäden aus, unterbrechen Sie die entsprechende Stromversorgung. Schalten Sie dazu die Sicherungen im Haus ab.
- Stellen Sie sicher, dass die Sicherungsangaben mit dem Produkt kompatibel sind.

Produktsicherheit

- **WARNUNG:** Das Gerät und seine zugänglichen Teile werden während des Betriebs heiß. Keine Heizelemente berühren. Kinder unter 8 Jahren fernhalten, sofern nicht kontinuierlich beaufsichtigt.

- Produkt niemals nutzen, wenn Urteilsvermögen oder Koordination durch Alkohol und/oder Drogen beeinträchtigt sind.
- Bei alkoholischen Getränken in den Gerichten entsprechend vorsichtig sein. Alkohol verdampft bei hohen Temperaturen und kann durch Entzünden bei Kontakt mit heißen Oberflächen Feuer verursachen.
- Keine brennbaren Materialien in der Nähe des Produktes aufstellen, da die Seiten während des Gebrauchs heiß werden können.
- Darauf achten, dass keine Belüftungsschlitze blockiert werden.
- Zur Reinigung des Gerätes keine Dampfreiniger verwenden; andernfalls besteht Stromschlaggefahr.
- WARNUNG: Unbeaufsichtigtes Garen auf einem Kochfeld mit Fett oder Öl kann gefährlich sein und Brände verursachen. Niemals versuchen, ein Feuer mit Wasser zu löschen; stattdessen das Gerät abschalten und Flammen z. B. mit einem Deckel oder einer Feuerlöschdecke abdecken.
- VORSICHT: Das Gerät muss beim Kochen im Auge behalten werden. Auch bei kurzen Zubereitungen muss das Gerät ständig im Auge behalten werden.
- WARNUNG: Brandgefahr: Keine Gegenstände auf den Kochoberflächen aufbewahren.
- WARNUNG: Falls die Oberfläche gesprungen ist, Gerät zur Vermeidung möglicher Stromschlaggefahr abschalten.
- Falls das Glas der Herdplatte springt: Schalten Sie umgehend alle Brenner und elektrischen Heizelemente aus und trennen Sie das Gerät von der Stromversorgung. Geräteoberfläche nicht berühren! Gerät nicht benutzen.
- Das Gerät darf nicht über externe Timer oder separate Fernsteuerungssysteme betrieben werden.
- Dampfdruck, der aufgrund von Feuchtigkeit an der Kochfeldoberfläche oder an der Unterseite des Kochgeschirrs entsteht, kann dazu führen, dass sich das Kochgeschirr bewegt. Daher muss sichergestellt werden, dass Kochfeldoberfläche und Unterseite des Kochgeschirrs immer trocken sind.
- WARNUNG: Verwenden Sie nur Kochfeldschutzabdeckungen, die vom Hersteller des Gerätes entwickelt wurden oder vom

Gerätehersteller in der Anleitung als geeignet angegeben sind, bzw. die mit dem Gerät gelieferten Kochfeldschutzabdeckungen. Die Nutzung nicht geeigneter Schutzabdeckungen kann Unfälle verursachen.

Brandschutzvorkehrungen des Produktes:

- Sicherstellen, dass die elektrische Verbindung richtig in die Steckdose eingesteckt ist und keine Funken erzeugt.
- Keine beschädigten oder abgeschnittenen Kabel bzw. Verlängerungskabel verwenden; nur das Originalkabel einsetzen.
- Beim Anschließen des Produktes sicherstellen, dass sich keine Flüssigkeit oder Feuchtigkeit an der elektrischen Verbindung befindet.

Bestimmungsgemäße Verwendung

- Dieses Gerät wurde für den reinen Hausgebrauch entwickelt. Eine gewerbliche Nutzung ist nicht zulässig.
- VORSICHT: Dieses Gerät dient ausschließlich der Zubereitung von Speisen. Es darf nicht zu anderen Zwecken eingesetzt werden.
- Der Hersteller haftet nicht für Schäden, die durch unsachgemäßen Gebrauch oder

falsche Bedienung verursacht werden.

Sicherheit von Kindern

- **WARNUNG:** Verschiedene Teile des Gerätes werden während des Gebrauchs heiß. Daher kleine Kinder vom Gerät fernhalten.
- Verpackungsmaterialien können eine Gefahr für Kinder darstellen. Sämtliche Verpackungsmaterialien an einem sicheren Ort und außerhalb der Reichweite von Kindern aufbewahren.
- Elektrische Produkte können eine Gefahr für Kinder darstellen. Kinder im Betrieb daher unbedingt vom Gerät fernhalten. Kinder nicht mit dem Gerät spielen lassen.
- Keine Gegenstände auf das Gerät stellen, die Kinder erreichen können.

Altgeräte entsorgen

Erfüllung von WEEE-Vorgaben zur Entsorgung von Altgeräten:



Dieses Produkt erfüllt die Vorgaben der EU-WEEE-Direktive (2012/19/EU). Das Produkt wurde mit einem Klassifizierungssymbol für elektrische und elektronische Altgeräte (WEEE) gekennzeichnet. Dieses Gerät wurde aus hochwertigen Materialien hergestellt, die wiederverwendet und recycelt werden können. Entsorgen Sie das Gerät am Ende seiner Einsatzzeit nicht mit dem regulären Hausmüll; geben Sie es stattdessen bei einer Sammelstelle zur Wiederverwertung von elektrischen und elektronischen Altgeräten ab. Ihre Stadtverwaltung informiert Sie gerne über geeignete Sammelstellen in Ihrer Nähe.

Einhaltung von RoHS-Vorgaben:

Das von Ihnen erworbene Produkt erfüllt die Vorgaben der EU-RoHS Direktive (2011/65/EU). Es enthält keine

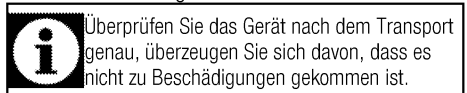
in der Direktive angegebenen gefährlichen und unzulässigen Materialien.

Verpackungsmaterialien entsorgen

- Die Verpackung des Gerätes besteht aus wiederverwertbaren Materialien. Entsorgen Sie diese vorschriftsgemäß und entsprechend sortiert. Entsorgen Sie solche Materialien nicht mit dem normalen Hausmüll.

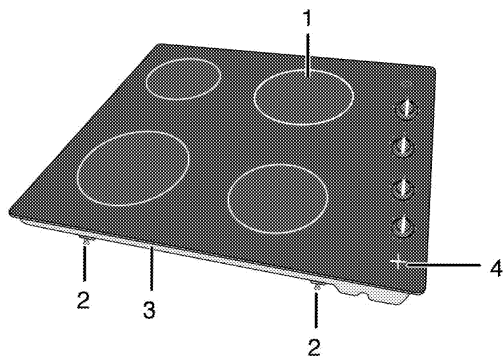
Transport

- Bewahren Sie den Originalkarton auf, falls Sie das Gerät künftig transportieren müssen. Halten Sie sich an die Hinweise auf dem Karton. Falls Sie den Originalkarton nicht mehr besitzen sollten, verpacken Sie das Gerät in Luftpolsterfolie oder starken Karton, anschließend gut mit Klebeband sichern.

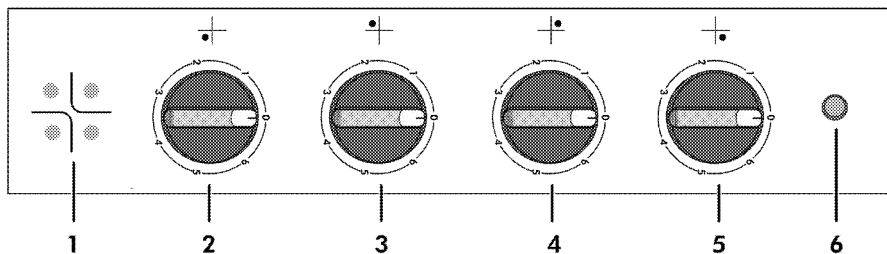


2 Allgemeine Informationen

Geräteübersicht



- | | | | |
|---|------------------|---|-----------------|
| 1 | Einzelkochplatte | 3 | Basisabdeckung |
| 2 | Montageklemme | 4 | Restwärmanzeige |



- | | | | |
|---|-------------------------------|---|--------------------------------|
| 1 | Restwärmanzeige | 4 | Einzelkochplatte Hinten links |
| 2 | Einzelkochplatte Vorne rechts | 5 | Einzelkochplatte Hinten rechts |
| 3 | Einzelkochplatte Vorne links | 6 | Warnleuchte |

Technische Daten

Spannung/Frequenz	220-240 V/380-415V 2N ~ 50 Hz
Leistungsaufnahme gesamt	5800 W
Kabeltyp/Kabelquerschnitt	MinimumH05V2V2-F 3 x 2,5 mm ² / 5 x 1,5 mm ²
Außenabmessungen (Höhe/Breite/Tiefe)	71 mm/580 mm/510 mm
Einbaumaße (Breite/Tiefe)	560(+2) mm /490(+2) mm
Kochzonen	
Vorne rechts	Einzelkochplatte
Abmessungen	140 mm
Leistung	1200 W
Vorne links	Einzelkochplatte
Abmessungen	180 mm
Leistung	1700 W
Hinten links	Einzelkochplatte
Abmessungen	140 mm
Leistung	1200 W
Hinten rechts	Einzelkochplatte
Abmessungen	180 mm
Leistung	1700 W



Im Zuge der Qualitätsverbesserung können sich technische Daten ohne Vorankündigung ändern.



Die Abbildungen in dieser Anleitung dienen lediglich der Veranschaulichung und können etwas vom tatsächlichen Aussehen des Gerätes abweichen.



Angaben am Produkt oder in der begleitenden Dokumentation wurden unter Laborbedingungen unter Berücksichtigung der zutreffenden Richtlinien ermittelt. Solche Werte können je nach Einsatzumgebung und Nutzungsweise des Gerätes abweichen.

3 Installation

Gerät vom nächstgelegenen autorisierten Kundendienst gemäß gültigen Bestimmungen installieren lassen. Andernfalls erlischt die Garantie. Der Hersteller haftet nicht für Schäden, die durch Aktivitäten nicht autorisierter Personen entstehen; zudem kann dadurch die Garantie erlöschen.



Die Vorbereitung des Aufstellungsortes und der elektrischen Anschlüsse sind Sache des Kunden.



GEFAHR:

Die Installation des Gerätes muss in Übereinstimmung mit sämtlichen zutreffenden Vorschriften zur Elektroinstallation erfolgen.



GEFAHR:

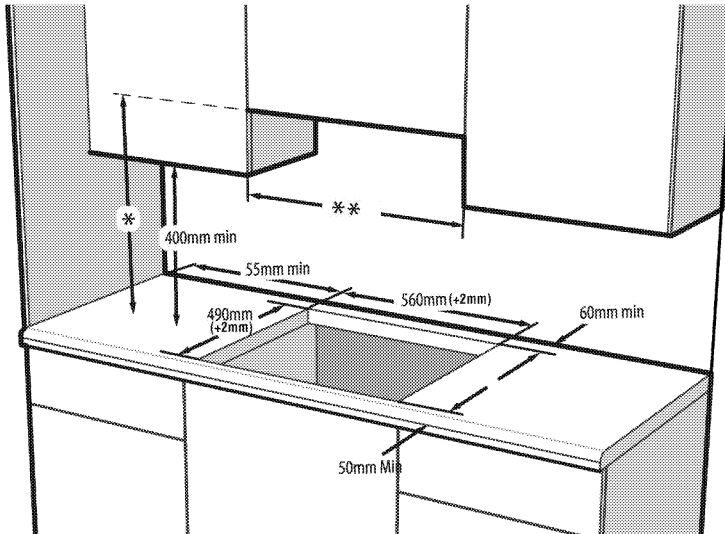
Gerät vor der Installation auf eventuelle, sichtbare Defekte untersuchen. Falls Defekte vorliegen, darf das Gerät nicht installiert werden.

Beschädigte Geräte müssen grundsätzlich als Sicherheitsrisiko betrachtet werden.

Vor der Installation

Das Kochfeld ist für den Einbau in eine handelsübliche Küchenarbeitsplatte vorgesehen. Zwischen Gerät und angrenzenden Küchenwänden und -möbeln muss ein Sicherheitsabstand verbleiben. Siehe Abbildung auf der nächsten Seite (Angaben in mm).

- Das Kochfeld kann auch freistehend benutzt werden. Achten Sie auf einen minimalen Abstand von 750 mm oberhalb des Kochfeldes.
- Wenn eine Dunstabzugshaube über dem Herd installiert werden soll, beachten Sie die Anweisungen des Herstellers zur Installationshöhe (mindestens 650 mm Abstand).
- Verpackungsmaterial und Transportsicherungen entfernen.
- Oberflächen, Kunststoffbeläge und verwendete Kleber müssen hitzebeständig sein (bis mindestens 100 °C).
- Die Küchenarbeitsplatte muss waagrecht ausgerichtet und fixiert sein.
- Die Küchenarbeitsplatte entsprechend den Einbaumaßen ausschneiden.



* Minimale Abzugshöhe gemäß Empfehlungen der zugehörigen Anleitung

** Minimaler Abstand zu Möbeln muss der Breite des Kochfeldes entsprechen

Vorschriften zur Gas- und Elektroinstallation erfolgen.



Installieren Sie das Kochfeld nicht in der Nähe von scharfen Ecken oder Kanten auf. Glaskeramik kann bei unsachgemäßer Handhabung brechen!

Einbauen und Anschließen

- Die Installation des Gerätes muss in Übereinstimmung mit sämtlichen zutreffenden

Elektrischer Anschluss

Schließen Sie das Gerät an eine geerdete Schutzkontaktsteckdose/Leitung an, die mit einem Miniatur-Leistungstrennschalter passender Kapazität gemäß der „Technische Daten“-Tabelle abgesichert wird. Lassen Sie durch einen qualifizierten Elektriker eine Erdung vornehmen, egal ob Sie das Produkt mit oder ohne Transformator verwenden. Der Hersteller haftet nicht bei Schäden, die durch den Einsatz des Gerätes ohne vorschriftsmäßige Erdung entstehen.



GEFAHR:

Das Gerät darf nur von einer autorisierten Fachkraft an das Stromnetz angeschlossen werden.

Der Hersteller haftet nicht für Schäden, die durch Aktivitäten nicht autorisierter Dritter entstehen.



GEFAHR:

Das Netzkabel darf nicht eingeklemmt, geknickt oder gequetscht werden und darf nicht mit heißen Geräteteilen in Berührung kommen.

Beschädigte Netzkabel müssen durch einen zugelassenen Elektriker ausgetauscht werden. Andernfalls kann es zu Stromschlägen, Kurzschlüssen und Bränden kommen!

- Der Anschluss muss gemäß nationalen Richtlinien erfolgen.
- Der Netzstecker muss nach der Installation frei zugänglich bleiben, das Netzkabel darf jedoch nicht über das Gerät hinweg verlegt werden.
- Verwenden Sie nur Netzkabel, die den Angaben im Abschnitt „Technische Daten“ entsprechen.



GEFAHR:

Trennen Sie das Gerät vollständig von der Stromversorgung, bevor Sie mit der Elektroinstallation beginnen.

Es besteht Stromschlaggefahr!

Netzkabel anschließen



Beim Ausführen der Elektroinstallation müssen die nationalen/lokalen Elektroinstallationsregeln eingehalten und muss eine korrekte Steckdose und ein passender Stecker für den Ofen verwendet werden. Falls die Anschlusswerte des Geräts zu hoch für den Steckeranschluss sind, muss es ohne Steckverbindung mit direktem Kabelanschluss fest installiert werden.

1. Falls bei Ihrem Produkt kein Netzkabel mitgeliefert wurde, wählen Sie bitte entsprechend der Elektroinstallation bei Ihnen

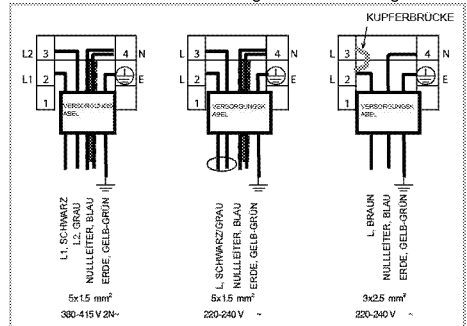
zuhause ein Netzkabel aus der Tabelle (*Technische Daten, Seite 10*); befolgen Sie zum Anschließen Ihres Produktes die Anweisungen im Kabeldiagramm.

Falls der Netzanschluss nicht vollständig getrennt werden kann, muss ein Trennschalter (Sicherung, Netzschalter oder dergleichen) mit mindestens 3 mm Kontaktabstand zwischengeschaltet werden. Die einschlägigen Installationsvorschriften (in Deutschland VDE 0100) sind dabei einzuhalten. Bei Nichtbeachtung kann es zu Betriebsstörungen und zum Erlöschen der Garantie kommen.



Wir empfehlen eine zusätzliche Absicherung mit einem Fehlerstromschutzschalter (FI-Schutzschalter).

2. Öffnen Sie die Anschlussabdeckung mit einem Schraubendreher.
3. Stecken Sie das Netzkabel durch die Kabelklemme unter dem Anschluss; befestigen Sie es mit der an der Kabelklemmkomponente integrierten Schraube am Hauptgerät.
4. Schließen Sie die Kabel gemäß Abbildung an.



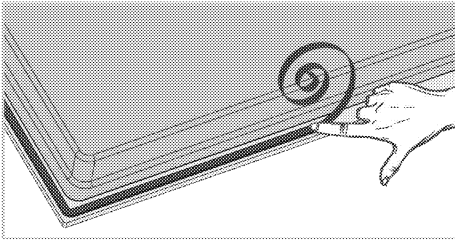
5. Nach Abschluss der Verkabelung schließen Sie die Anschlussabdeckung.
6. Verlegen Sie das Netzkabel so, dass es weder das Produkt berührt noch zwischen Produkt und Wand eingeklemmt wird.



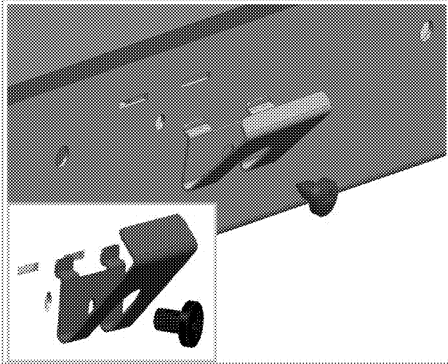
Die Länge des Netzkabels darf aus Sicherheitsgründen nicht mehr als 2 m betragen.

Gerät installieren

1. Drehen Sie das Kochfeld herum; platzieren Sie es auf einem flachen Untergrund.
2. Bringen Sie bei Installation des Kochfeldes wie abgebildet die mitgelieferte Dichtung rund um das Kochfeld an. Achten Sie darauf, einen Abstand von 1 bis 2 mm von der Innenseite des Glasaußenrandes einzuhalten.



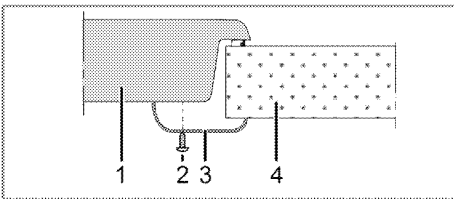
3. Befestigen Sie die Montagefedern, stecken Sie sie wie abgebildet durch die Löcher am unteren Gehäuse und schrauben sie fest.



i Bei einigen Modellen könnte Ihr Produkt mit bereits angebrachten Montagefedern geliefert werden.

i Die Anzahl Montagefedern an Ihrem Produkt variiert je nach Produktmodell.

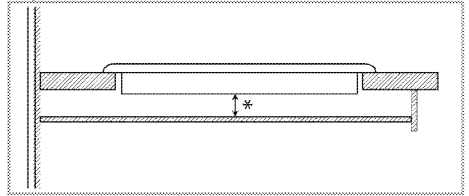
4. Zentrieren Sie das Produkt auf der Arbeitsplatte.
 5. Wenn das Kochfeld auf der Arbeitsplatte platziert wird, lässt es sich problemlos mit den Klemmen befestigen. Wenn die Installation mit diesen Klemmen nicht für Ihr Arbeitsplatte geeignet ist, können weitere 2 Montageklammern an der Vorderseite des Produktes wie in der nachstehenden Abbildung gezeigt befestigt werden.



- 1 Kochfeld
 2 Schraube
 3 Montageklemme

i Bei der Installation des Kochfeldes in einem Möbel muss ein Einlegeboden installiert werden, damit das Möbel vom Kochfeld getrennt wird (vgl. Abbildung oben). Dies ist bei der Installation eines integrierten Ofens nicht erforderlich.

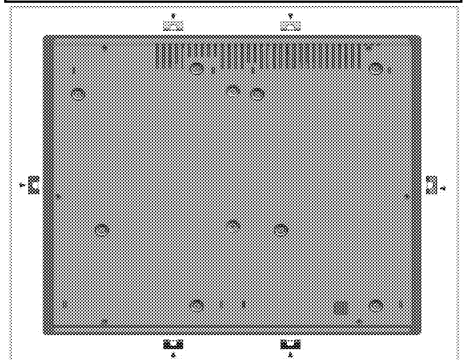
Beispiel: Wenn Sie die Unterseite des Produktes berühren können, da dieses über einer Schublade installiert ist, muss dieser Bereich mit einer Holzplatte abgedeckt werden.



* Minimum 15 mm

Rückansicht (Anschlussöffnungen)

i Positionen der nachstehend abgebildeten Verbindungslöcher sind schematisch und können je nach Produktmodell variieren. Befestigen Sie sie entsprechend den Verbindungsöffnungen an Ihrem Produkt.



GEFAHR:
 Der Anschluss über mehrere Öffnungen sollte vermieden werden, da es unter Umständen zu Beschädigungen des Gas- und elektrischen Systems kommen kann.

**GEFAHR:**

Das Kochfeld enthält Komponenten, die mit Gas und Strom arbeiten. Aus diesem Grund darf das Kochfeld nur durch die Befestigungslöcher unter ausschließlichem Einsatz der mitgelieferten Befestigungselemente und Schrauben und entsprechend den Anweisungen in der Anleitung an der Arbeitsplatte befestigt werden. Andernfalls besteht eine Gefahr für Leib, Leben und Eigentum.



Die Anzahl Montagefedern an Ihrem Produkt variiert je nach Produktmodell.

Endkontrolle

1. Betrieb des Geräts.
2. Prüfen Sie die Funktion.

4 Vorbereitungen

Tipps zum Energiesparen

Mit den folgenden Hinweisen nutzen Sie Ihr Gerät umweltbewusst und energiesparend:

- Tauen Sie gefrorene Gerichte vor der Zubereitung auf.
- Kochen Sie mit Deckel. Beim Kochen ohne Deckel kann der Energieverbrauch auf das Vierfache ansteigen.
- Wählen Sie stets die zum Bodendurchmesser des Kochgeschirrs passende Kochstelle. Entscheiden Sie sich immer für Kochgeschirr in der passenden Größe. Größeres Kochgeschirr verbraucht mehr Energie.
- Achten Sie darauf, beim Kochen mit Elektroherden grundsätzlich Kochgeschirr mit flachem Boden zu verwenden. Kochgeschirr mit dickem Boden leitet die Wärme besser und speichert diese eine Weile. Auf diese Weise können Sie bis zu ein Drittel Energie einsparen.
- Die Größe des Kochgeschirrs muss grundsätzlich zur Kochzone passen. Der Boden des

Kochgeschirrs darf nicht kleiner als die Kochstelle sein.

- Halten Sie das Kochfeld und den Boden des Kochgeschirrs sauber. Verschmutzungen verschlechtern die Wärmeübertragung zwischen Kochfeld und Kochgeschirrboden.
- Wenn die Zubereitung etwas länger dauert, schalten Sie die Kochzone 5 – 10 Minuten vor Ablauf der Garzeit ab. Durch Ausnutzung der Restwärme können Sie bis zu 20 % Energie einsparen.

Erste Inbetriebnahme Erstreinigung des Gerätes



Durch bestimmte Reinigungsmittel können die Oberflächen des Gerätes beschädigt werden. Verwenden Sie keine aggressiven Reinigungsmittel, keine Scheuermittel und keine scharfen oder spitzen Gegenstände bei der Reinigung.

1. Entfernen Sie sämtliches Verpackungsmaterial.
2. Geräteoberflächen mit einem feuchten Tuch oder Schwamm abwischen und mit einem Tuch trocknen.

5 Bedienung Kochfeld

Allgemeine Hinweise zum Kochen



Füllen Sie Kochgeschirr maximal bis zu einem Drittel mit Öl. Lassen Sie das Kochfeld niemals unbeaufsichtigt, wenn Sie mit heißem Öl arbeiten. Überhitzte Öle und Fette können Brände verursachen. **Versuchen Sie niemals, Fettbrände mit Wasser zu löschen!** Falls Öle oder Fette Feuer fangen, ersticken Sie die Flammen mit einer Löschdecke, notfalls mit einem leicht feuchten Tuch. Trennen Sie den Herd von der Stromversorgung, falls dies gefahrlos möglich ist. Rufen Sie die Feuerwehr.

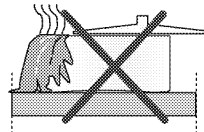
- Vor dem Frittieren trocknen Sie die Lebensmittel gründlich und lassen sie langsam in das heiße Öl hinab. Achten Sie darauf, dass gefrorene Lebensmittel vor dem Frittieren restlos aufgetaut sind.
- Decken Sie das Kochgeschirr beim Frittieren nicht ab.
- Platzieren Sie das Kochgeschirr so auf dem Kochfeld, dass dessen Griffe oder Stiele nicht von anderen Kochstellen erhitzt werden. Stellen Sie keine Behälter auf das Kochfeld, die zum Kippen neigen.
- Stellen Sie kein leeres Kochgeschirr auf eingeschaltete Kochzonen. Es kann zu Beschädigungen kommen.
- Wenn Sie eine Kochzone verwenden, ohne Kochgeschirr darauf zu platzieren, verursacht dies Schäden am Gerät. Schalten Sie die Kochzonen nach dem Gebrauch aus.
- Da sich die Oberfläche des Gerätes erhitzt, legen Sie niemals Gegenstände aus Kunststoff oder Aluminium darauf ab.
Entfernen Sie geschmolzene Rückstände solcher Materialien sofort von der Oberfläche.
Übrigens sollten Lebensmittel grundsätzlich nicht in solchen Gefäßen gelagert werden.
- Verwenden Sie ausschließlich Kochgeschirr mit flachem Boden.
- Geben Sie die richtige Menge an Lebensmitteln in das jeweilige Kochgeschirr; nicht überfüllen. Dadurch ersparen Sie sich unnötige Reinigungsarbeit durch überlaufende Speisen.

Legen Sie die Deckel des Kochgeschirrs nicht auf den Kochzonen ab.

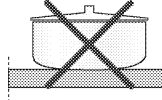
Stellen Sie Kochgeschirr so auf das Kochfeld, dass es exakt in der Mitte der Kochzone steht. Wenn Sie Kochgeschirr von einer Kochzone zur nächsten bewegen möchten, heben Sie das Kochgeschirr an, anstatt es über das Kochfeld zu schieben, da es ansonsten zu Schäden der Glaskeramik kommt.

Tipps zu Glaskeramik-Kochfeldern

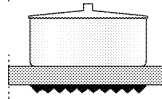
- Glaskeramik ist hitzefest und beständig gegen starke Temperaturdifferenzen.
- Missbrauchen Sie die Glaskeramik nicht als Ablage oder als Schneidbrett.
- Verwenden Sie ausschließlich Kochgeschirr mit entsprechend bearbeitetem Boden. Scharfe Kanten verursachen Kratzer auf der Oberfläche.
- Benutzen Sie kein Kochgeschirr aus Aluminium. Aluminium beschädigt die Glaskeramik.



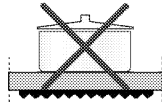
Überlaufende Speisen können die Glaskeramik beschädigen und Brände verursachen.



Kein Kochgeschirr mit gewölbtem Boden verwenden.

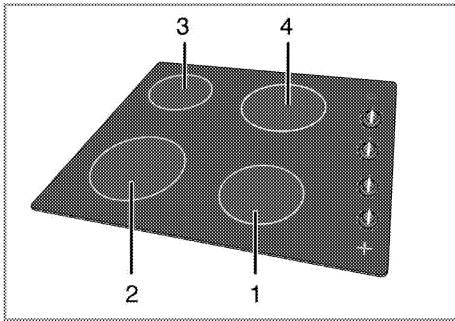


Ausschließlich Kochgeschirr mit ebenem Boden verwenden. Dadurch wird die Hitze optimal übertragen.



Bei Kochgeschirr mit zu geringem Durchmesser verschwenden Sie Energie.

Kochfeld verwenden



- 1 Einzelkochplatte 14-16cm
- 2 Einzelkochplatte 18-20cm
- 3 Einzelkochplatte 14-16cm
- 4 Einzelkochplatte 18-20 cm ist eine Liste mit für die jeweiligen Brenner empfohlenen Geschirrdurchmessern.



GEFAHR:

Lassen Sie keine Gegenstände auf das Kochfeld fallen. Selbst kleine Gegenstände wie Salzstreuer können das Kochfeld beschädigen.

Verwenden Sie keine Kochfelder, die gesprungen sind. Durch die Sprünge kann Wasser eindringen und einen gehörigen Kurzschluss verursachen.

Falls Sie Beschädigungen der Glaskeramik (z. B. sichtbare Sprünge) bemerken sollten, unterbrechen Sie sofort die Stromversorgung, damit es nicht zu Stromschlägen kommt.

Glaskeramikkochfelder sind mit einer Betriebsanzeige und einer Heißzonenwarnanzeige ausgestattet. Die Heißzonenwarnanzeige zeigt den Zustand der aktiven Kochzone an; sie leuchtet auch nach dem Abschalten der Kochstelle weiter und dient als Restwärmearzeige. Sobald sich die Temperatur der Kochstelle soweit reduziert, dass sie gefahrlos berührt werden kann, erlischt die Warnanzeige. Ein Flackern der Heißzonenwarnanzeige weist nicht auf einen Fehler hin.

Keramikplatten einschalten

Die Kochstellen werden mit den Kochfeldknöpfen bedient. Zum Erzielen der gewünschten Garleistung drehen Sie den Kochfeldknopf auf die entsprechende Stufe.

Leistungsstufe	1	2 — 3	4 — 6
	warm halten	dünsten, köcheln	Kochen, Braten, Sieden

Keramikplatten abschalten

Drehen Sie den Knopf der Kochstelle in die Aus-Position (oben).

6 Reinigung und Wartung

Allgemeine Hinweise

Durch regelmäßiges Reinigen verlängern Sie die Lebenserwartung Ihres Gerätes und beugen Fehlfunktionen vor.



GEFAHR:

Trennen Sie das Gerät von der Stromversorgung, bevor Sie es reinigen. Es besteht Stromschlaggefahr!



GEFAHR:

Lassen Sie das Gerät vor dem Reinigen gründlich abkühlen. Verbrennungsgefahr durch heiße Flächen!

- Reinigen Sie das Gerät nach jedem Gebrauch gründlich. Dadurch lassen sich Speisereste leichter entfernen und können beim nächsten Einsatz des Gerätes nicht einbrennen.
- Zur Reinigung benötigen Sie keine Spezialreiniger. Verwenden Sie am besten warmes Wasser mit etwas herkömmlichem Reiniger, ein weiches Tuch oder einen Schwamm. Anschließend mit einem Tuch trocknen.
- Achten Sie stets darauf, überschüssige und verschüttete Flüssigkeiten nach der Reinigung gründlich ab- bzw. aufzuwischen.
- Wenn Sie Edelstahl und Griffe reinigen verzichten Sie auf Reinigungsmittel, die Säuren oder Chlor enthalten. Reinigen Sie diese Teile mit einem weichen Tuch und etwas Flüssigreiniger (kein Scheuermittel); wischen Sie dabei am besten nur in eine Richtung.



Durch bestimmte Reinigungsmittel können die Oberflächen des Gerätes beschädigt werden. Verwenden Sie keine aggressiven Reinigungsmittel, keine Scheuermittel und keine scharfen oder spitzen Gegenstände bei der Reinigung.



Nutzen Sie keine Dampfreiniger zur Reinigung des Gerätes – es besteht Stromschlaggefahr.

Kochfeld reinigen

Glaskeramik

Wischen Sie die Glaskeramik mit einem mit warmem Wasser angefeuchteten Tuch sauber. Anschließend mit einem weichen Tuch trocknen. Achten Sie darauf, dass keine Rückstände auf der Glaskeramik verbleiben; andernfalls kann das Kochfeld bei der nächsten Nutzung beschädigt werden.

Versuchen Sie niemals, Rückstände mit Messern, Stahlwolle und ähnlichen Hilfsmitteln von der Glaskeramik zu entfernen.

Entfernen Sie Kalkflecken (beige bis gelbe Flecken) mit etwas Kalkentferner; Essig oder Zitronensaft funktionieren ebenfalls. Alternativ können Sie entsprechende handelsübliche Produkte verwenden. Bei hartnäckigen Verschmutzungen tragen Sie Reinigungsmittel mit einem Schwamm auf und warten ab, bis das Mittel richtig in den Schmutz eingezogen ist. Anschließend wischen Sie die Glaskeramik des Kochfeldes mit einem feuchten Tuch sauber.



Stark zuckerhaltige Lebensmittel müssen sofort entfernt werden, bevor die Glaskeramik abkühlt. Andernfalls kann die Glaskeramik dauerhaft beschädigt werden.

Mit der Zeit kann es zu leichten Farbveränderungen der Glaskeramik und der Markierungen kommen. Die Funktion des Gerätes wird dadurch nicht beeinträchtigt. Farbveränderungen und sonstige leichte optische Veränderungen sind bei Glaskeramik normal; es handelt sich nicht um einen Defekt.

Bedienfeld reinigen

Reinigen Sie Bedienfeld und Knöpfe mit einem feuchten Tuch; anschließend trocken reiben.



Falls Ihr Produkt mit mechanischen Tasten oder Knöpfen ausgestattet ist, ziehen Sie die diese zum Reinigen des Bedienfeldes nicht ab. Das Bedienfeld kann beschädigt werden!

7 Problemlösungen

Beim Aufheizen und Abkühlen sind metallische Geräusche zu hören.

- Wenn sich die Temperatur von Metallteilen ändert, dehnen sich diese aus oder ziehen sich zusammen – dabei entstehen Geräusche. >>> *Dies ist kein Fehler.*

Das Gerät funktioniert nicht.

- Die Sicherung ist durchgebrannt oder ausgelöst. >>> *Kontrollieren Sie die Sicherungen im Sicherungskasten. Bei Bedarf austauschen oder zurücksetzen.*
- Das Gerät ist nicht richtig an die (geerdete) Steckdose angeschlossen. >>> *Überprüfen Sie die Steckerverbindung.*

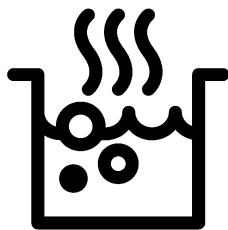


Falls sich ein Problem nicht mit den obigen Hinweisen lösen lassen sollte, wenden Sie sich bitte an den autorisierten Kundendienst oder an den Händler, bei dem Sie das Gerät gekauft haben. Versuchen Sie niemals, ein defektes Gerät selbst zu reparieren.



Table de cuisson encastrable

Manuel de l'utilisateur



FR

Avant de commencer, merci de bien vouloir lire ce manuel d'utilisation !

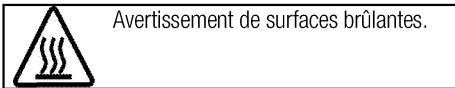
Chère cliente, cher client,

Nous vous remercions d'avoir porté votre choix sur un produit Beko. Nous espérons que vous tirerez le meilleur parti de votre produit, qui a été fabriqué dans des usines de pointe avec des matériaux de qualité. C'est pourquoi nous vous prions de lire attentivement le présent manuel et tous les autres documents connexes dans leur intégralité avant d'utiliser le produit et de les conserver. Si vous cédez l'appareil à une tierce personne, n'oubliez pas de lui fournir le Manuel d'utilisation. Respectez tous les avertissements et informations contenus dans le manuel d'utilisation.

Souvenez-vous que ce Manuel d'utilisation s'applique également à plusieurs autres modèles. Les différences entre les modèles seront identifiées dans le manuel.

Explication des symboles

Vous trouverez les symboles suivants dans ce Manuel d'utilisation :



Arçelik A.Ş.
Karaağaç caddesi No:2-6
34445 Sütlüce/Istanbul/TURKEY
Made in TURKEY

1 Instructions importantes et mises en garde relatives à la sécurité et à l'environnement 4

Sécurité générale..... 4
 Sécurité électrique..... 4
 Sécurité du produit 5
 Utilisation prévue 7
 Sécurité des enfants 7
 Mise au rebut de l'ancien appareil 8
 Elimination des emballages 8
 Déplacement ultérieur 8

2 Généralités 9

Vue d'ensemble..... 9
 Caractéristiques techniques..... 10

3 Installation 11

Avant l'installation..... 11
 Installation et branchement..... 11

4 Préparation 15

Conseils pour faire des économies d'énergie 15
 Première utilisation..... 15
 Premier nettoyage de l'appareil..... 15

5 Utilisation de la table de cuisson 16

Généralités concernant la cuisson 16
 Utilisation des tables de cuisson..... 17

6 Maintenance et entretien 18

Généralités 18
 Nettoyage de la table de cuisson..... 18
 Nettoyage du bandeau de commande..... 18

7 Recherche et résolution des pannes 19

1 Instructions importantes et mises en garde relatives à la sécurité et à l'environnement

Ce chapitre contient les instructions de sécurité qui vous aideront à éviter les risques de blessure corporelle ou de dégâts matériels. Le non respect de ces instructions entraînera l'annulation de toute garantie.

Sécurité générale

- Cet appareil peut être utilisé par des enfants de 8 ans et plus et des personnes aux capacités physiques, sensorielles ou mentales réduites ou des personnes dénuées d'expérience ou de connaissance si elles ont pu bénéficier d'une surveillance ou d'instructions concernant l'utilisation de l'appareil en toute sécurité et comprennent les risques encourus.

Les enfants ne doivent pas jouer avec l'appareil. Le nettoyage et l'entretien ne doivent pas être effectués par un enfant sans surveillance.

- Cet appareil n'est pas conçu pour être utilisé par des personnes (y compris les enfants) présentant des aptitudes physiques, sensorielles et mentales réduites, ou sans expérience et sans connaissances, à moins d'avoir été encadrées ou reçu des consignes d'utilisation.

Les enfants bénéficiant d'un encadrement ne doivent pas jouer avec l'appareil.

- Si l'appareil est confié à une autre personne pour usage personnel ou vendu en seconde main, assurez-vous qu'il est toujours accompagné du manuel d'utilisation, des étiquettes, de tout autre document pertinent et des pièces.
- Les procédures d'installation et de réparation doivent être effectuées par des agents d'entretien qualifiés. Le fabricant ne sera pas responsable des dommages causés à la suite d'une utilisation faite par des personnes non qualifiées, situation susceptible d'annuler aussi la garantie. Avant l'installation, lisez attentivement les instructions.
- Ne faites pas fonctionner l'appareil s'il est défectueux ou présente des dégâts visibles.
- Assurez-vous que les boutons de fonctionnement de l'appareil sont en position d'arrêt après chaque utilisation.

Sécurité électrique

- Si le produit est en panne, ne l'utilisez pas, à moins qu'il ne soit réparé par un Agent d'entretien

agréé. Vous risqueriez un choc électrique !

- Branchez l'appareil uniquement à une sortie/ligne avec mise à la terre ainsi que la tension et la protection spécifiées dans le chapitre « Spécifications techniques ». Faites installer la mise à la terre par un électricien qualifié lorsque vous utilisez l'appareil avec ou sans transformateur. Notre entreprise décline sa responsabilité par rapport à tout problème consécutif à la non mise à la terre de l'appareil suivant la réglementation locale en vigueur.
- Ne lavez jamais l'appareil en y versant de l'eau. Vous risqueriez un choc électrique !
- Débranchez l'appareil pendant les opérations d'installation, d'entretien, de nettoyage et de réparation.
- Si le cordon d'alimentation est endommagé, il doit être remplacé par le fabricant, l'un de ses techniciens ou une personne de qualification similaire afin d'éviter tout risque.
- N'utilisez que le câble d'alimentation spécifié dans le chapitre « Spécifications techniques ».
- Installez l'appareil de sorte que l'on puisse le déconnecter complètement du réseau. La séparation doit être effectuée par une

prise secteur ou un commutateur intégré à l'installation électrique fixe, suivant la réglementation en matière de construction.

- Toutes les opérations sur des équipements et des systèmes électriques ne peuvent être réalisées que par des personnes habilitées et qualifiées.
- En cas de dégâts, éteignez l'appareil et débranchez-le du secteur. Pour ce faire, coupez le fusible domestique.
- Vérifiez que la tension du fusible est compatible avec l'appareil.

Sécurité du produit

- **AVERTISSEMENT** : Les parties accessibles de l'appareil deviennent chaudes au cours de son utilisation. Des mesures doivent être prises pour éviter de toucher aux éléments de chauffage. Les enfants de moins de 8 ans doivent être maintenus à l'écart, sauf s'ils sont continuellement surveillés.
- Ne jamais utiliser l'appareil sous l'emprise de l'alcool ou de toute autre drogue.
- Prenez garde lorsque vous utilisez des boissons alcoolisées dans vos plats. L'alcool s'évapore à températures élevées et peut provoquer un incendie étant donné qu'il peut s'enflammer lorsqu'il entre en

contact avec des surfaces chaudes.

- Assurez-vous qu'aucune substance inflammable ne soit placée à proximité de l'appareil étant donné que les côtés peuvent chauffer pendant son utilisation.
- Évitez d'obstruer les éventuelles sorties d'aération.
- N'utilisez pas de nettoyeurs à vapeur pour le nettoyage de l'appareil, car ceux-ci présentent un risque d'électrocution.
- **AVERTISSEMENT** : Le fait de cuire les aliments contenant de l'huile ou des matières grasses sur une table de cuisson sans surveillance peut s'avérer dangereux, au point de provoquer un incendie. N'essayez JAMAIS d'éteindre le feu avec de l'eau. Coupez plutôt l'alimentation de l'appareil, puis couvrez la flamme avec un couvercle ou une couverture pare-flammes.
- **ATTENTION** : Le processus de cuisson doit être encadré. Les processus de cuisson de courte durée doivent être continuellement encadrés.
- **AVERTISSEMENT** : Danger d'incendie : ne rien conserver sur les surfaces de cuisson.
- **AVERTISSEMENT** : En cas de fissure au niveau de la surface, mettre l'appareil hors tension pour être à l'abri d'une éventuelle électrocution.
- En cas de bris du verre de la plaque de cuisson : Éteignez immédiatement tous les brûleurs et les éventuels éléments chauffants électriques, et débranchez l'appareil de l'alimentation électrique. Évitez de toucher la surface de l'appareil. N'utilisez pas l'appareil.
- L'appareil n'est pas prévu pour fonctionner avec une minuterie externe ou un système de télécommande distinct.
- La pression de vapeur qui s'accumule à cause de l'humidité à la surface de la table de cuisson ou sur le bas de la casserole peut déplacer cette dernière. C'est pourquoi, assurez-vous que la surface du four et le bas des casseroles sont toujours secs.
- **AVERTISSEMENT** : Utilisez uniquement les dispositifs protecteurs conçus par le fabricant des appareils de cuisson, ou ceux indiqués par ce dernier comme adéquats, dans le manuel d'utilisation, ou encore des dispositifs protecteurs fournis avec l'appareil. L'utilisation des dispositifs protecteurs inappropriés peut causer des accidents.

Pour que votre appareil soit fiable:

- veillez à ce que la fiche soit bien branchée dans la prise afin que des étincelles ne se produisent pas.
- Utilisez uniquement les câbles de rallonge d'origine, et veillez à ce qu'ils ne soient pas coupés ou autrement endommagés.
- Assurez-vous également que la prise ne contient pas de liquide ni de moisissure avant de brancher l'appareil.

Utilisation prévue

- Cet appareil est conçu pour un usage domestique. L'utilisation commerciale est interdite.
- ATTENTION : Cet appareil sert uniquement à des fins de cuisson. Il ne doit pas être utilisé à d'autres fins, par exemple le chauffage du local.
- Le fabricant ne saurait être tenu responsable des dégâts causés par une utilisation ou une manipulation incorrecte.
- Les pièces détachées d'origine sont disponibles pendant 10 ans, à compter de la date d'achat du produit .

Sécurité des enfants

- ATTENTION : Les parties accessibles peuvent s'échauffer pendant l'utilisation. Les enfants doivent être tenus à l'écart.

- Les matériaux d'emballage peuvent présenter un danger pour les enfants. Gardez les matériaux d'emballage hors de portée des enfants. Veuillez jeter les pièces de l'emballage en respectant les normes écologiques.
- Les appareils électriques sont dangereux pour les enfants. Tenez les enfants à l'écart de l'appareil lorsqu'il fonctionne et interdisez-leur de jouer avec.
- Ne rangez pas d'objets au dessus de l'appareil que les enfants pourraient atteindre.

Mise au rebut de l'ancien appareil

Conformité avec la directive DEEE et mise au rebut des déchets :



Ce produit est conforme à la directive DEEE (2012/19/UE) de l'Union européenne). Ce produit porte un symbole de classification pour la mise au rebut des équipements électriques et électroniques (DEEE).

Le présent produit a été fabriqué avec des pièces et du matériel de qualité supérieure susceptibles d'être réutilisés et adaptés au recyclage. Par conséquent, nous vous conseillons de ne pas le mettre au rebut avec les ordures ménagères et d'autres déchets à la fin de sa durée de vie. Au contraire, rendez-vous dans un point de collecte pour le recyclage de tout matériel électrique et électronique. Veuillez vous rapprocher des autorités de votre localité pour plus d'informations concernant le point de collecte le plus proche.

Conformité avec la directive LdSD :

L'appareil que vous avez acheté est conforme à la directive LdSD (2011/65/UE) de l'Union européenne. Il

ne comporte pas les matériels dangereux et interdits mentionnés dans la directive.

Élimination des emballages

- Les emballages sont dangereux pour les enfants. Conservez les emballages en lieu sûr à l'écart des enfants. Les emballages de l'appareil sont fabriqués à partir de matériaux recyclés. Éliminez-les de manière appropriée et triez-les en fonction des instructions de recyclage des déchets. Ne les jetez pas avec les déchets domestiques normaux.

Déplacement ultérieur

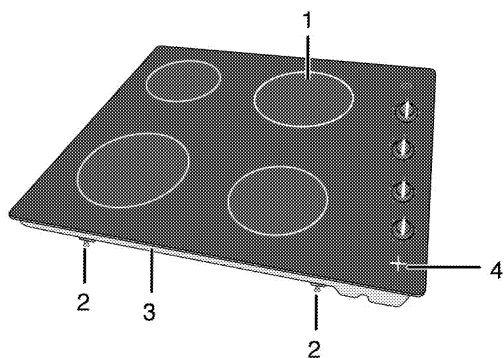
- Conservez le carton d'origine de l'appareil et utilisez-le pour déplacer le produit. Suivez les instructions figurant sur le carton. Si vous n'avez plus le carton original, emballez l'appareil dans du film à bulles ou du carton épais avec du ruban adhésif pour maintenir le tout.



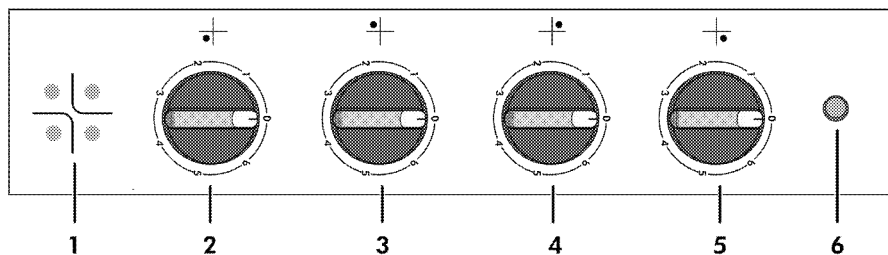
Inspectez l'aspect général de l'appareil pour déceler les dégâts potentiellement dus au transport.

2 Généralités

Vue d'ensemble





- | | | | |
|---|-------------------|---|-----------------------------------|
| 1 | Plaque de cuisson | 3 | Fond |
| 2 | Bride de montage | 4 | Témoin de table de cuisson chaude |




- | | | | |
|---|-----------------------------------|---|----------------------------------|
| 1 | Témoin de table de cuisson chaude | 4 | Plaque de cuisson Arrière gauche |
| 2 | Plaque de cuisson Avant droit | 5 | Plaque de cuisson Arrière droit |
| 3 | Plaque de cuisson Avant gauche | 6 | Témoin d'avertissement |

Caractéristiques techniques

Tension/fréquence	220-240 V/380-415V 2N ~ 50 Hz
Consommation d'énergie totale	5800 W
Type de câble/section	min.H05V2V2-F 3 x 2,5 mm ² / 5 x 1,5 mm ²
Dimensions extérieures (hauteur/longueur/profondeur)	71 mm/580 mm/510 mm
Dimensions d'installation (longueur/profondeur)	560(+2) mm /490(+2) mm
Brûleurs	
Avant droit	Plaque de cuisson
Dimension	140 mm
Puissance	1200 W
Avant gauche	Plaque de cuisson
Dimension	180 mm
Puissance	1700 W
Arrière gauche	Plaque de cuisson
Dimension	140 mm
Puissance	1200 W
Arrière droit	Plaque de cuisson
Dimension	180 mm
Puissance	1700 W

	Les caractéristiques techniques peuvent changer sans avis préalable afin d'améliorer la qualité de l'appareil.
	Les illustrations comprises dans ce manuel sont schématiques et peuvent ne pas correspondre exactement à l'appareil.

	Les valeurs mentionnées sur les étiquettes de l'appareil ou dans la documentation qui l'accompagnent sont obtenues dans des conditions de laboratoire conformément aux normes correspondantes. En fonction des conditions de fonctionnement et de l'environnement de l'appareil, ces valeurs peuvent varier.
---	--

3 Installation

Le produit doit être installé par une personne qualifiée conformément à la réglementation en vigueur. Dans le cas contraire, la garantie n'est pas valable. Le fabricant se sera pas tenu pour responsable des dégâts consécutifs à des procédures réalisées par des personnes non autorisées et pourra annuler la garantie dans ce cas.



La préparation de l'emplacement et l'installation de l'électricité pour l'appareil sont sous la responsabilité du client.



DANGER:

Installez l'appareil conformément aux réglementations en matière de gaz et d'électricité en vigueur dans votre localité.



DANGER:

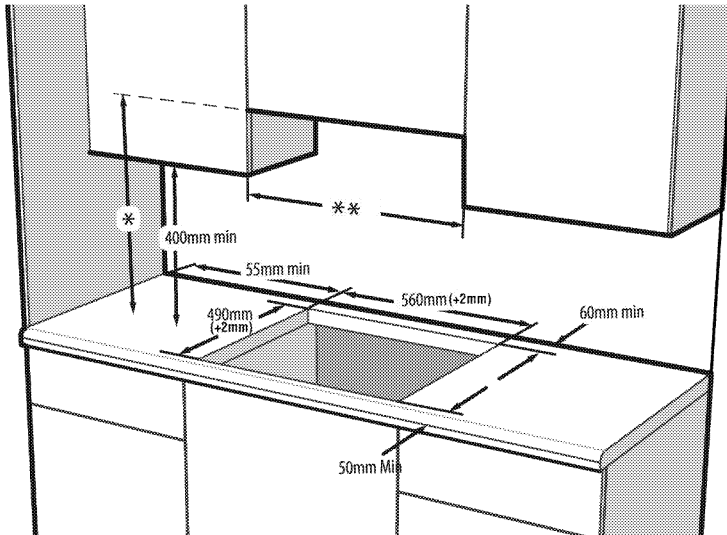
Avant l'installation, regardez si l'appareil présente des défauts. Si tel est le cas, ne le faites pas installer.
Les appareils endommagés présentent des risques pour votre sécurité.

distance de sécurité doit être laissée entre l'appareil et les parois de la cuisine et des meubles. Voir le schéma (valeurs en mm).

- Il peut aussi être utilisé en position debout, de manière autonome. Laissez une distance minimum de 750 mm au-dessus de la surface de la table de cuisson.
- (*) S'il faut encastrer une hotte au-dessus de la cuisinière, reportez-vous aux consignes du fabricant de la hotte concernant la hauteur d'installation (Min 650 mm)
- Retirez les matériaux d'emballage et les sécurités de transport.
- Les surfaces, les feuilles laminées synthétiques et les adhésifs doivent résister à la chaleur (jusqu'à 100 °C min.).
- Le plan de travail doit être à niveau et fixé horizontalement.
- Découpez une ouverture pour la table de cuisson dans le plan de travail en fonction des dimensions d'installation.

Avant l'installation

Cette table de cuisson est destinée à être installée sur un plan de travail en vente dans le commerce. Une



* Hauteur minimale pour l'extracteur telle que recommandée dans le manuel d'instructions de l'extracteur

** La distance minimale entre le meuble doit être égale à la largeur de la table de cuisson.

Installation et branchement

- Installez l'appareil conformément à toutes les réglementations en matière de gaz et d'électricité en vigueur.



N'installez pas la table de cuisson à des endroits avec rebords et coins tranchants. Cela peut briser la surface vitrocéramique !

Raccordement électrique

Branchez l'appareil à une prise mise à la terre protégée par un disjoncteur miniature de capacité suffisante tel qu'indiqué dans le tableau « Caractéristiques techniques ». Faites installer la mise à la terre par un électricien qualifié lors de l'utilisation de l'appareil avec ou sans transformateur. Notre société ne sera pas tenue pour responsable des dégâts résultant de l'utilisation de l'appareil sans une installation de mise à la terre conforme aux réglementations locales en vigueur.



DANGER:

L'appareil doit uniquement être raccordé à l'alimentation électrique par une personne autorisée et qualifiée. La période de garantie de l'appareil démarre uniquement après son installation correcte. Le fabricant se sera pas tenu pour responsable des dégâts consécutifs à des procédures réalisées par des personnes non autorisées.



DANGER:

Le câble d'alimentation ne doit pas être serré, plié ou pincé ou entrer en contact avec des pièces chaudes de l'appareil. Un câble d'alimentation endommagé doit être remplacé par un électricien qualifié. Dans le cas contraire, il présente un risque d'électrocution, de court-circuit ou d'incendie !

- La connexion doit être conforme aux réglementations nationales en vigueur.
- Les valeurs de l'alimentation électrique doivent correspondre aux valeurs figurant sur la plaque signalétique de l'appareil. La plaque signalétique est à l'arrière du produit.
- Le câble d'alimentation de l'appareil doit être conforme aux valeurs du tableau "Caractéristiques techniques".



DANGER:

Avant d'effectuer tout travail sur l'installation électrique, l'appareil doit être débranché du réseau d'alimentation électrique. Vous risqueriez un choc électrique !

Raccordement du câble d'alimentation



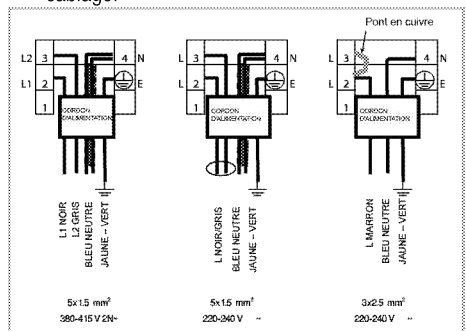
Lors du câblage, vous devez respecter les réglementations nationales/locales en matière d'électricité. Par ailleurs, vous devez utiliser des prises et des fiches recommandées pour fours. Au cas où la limite de puissance de l'appareil est supérieure à la capacité de conduction du courant par la fiche et la prise, branchez l'appareil directement sur une installation électrique fixe sans utiliser de fiche ni de prise.

1. **Si votre produit est fourni sans câble d'alimentation**, vous devez brancher à votre produit un câble d'alimentation choisi à partir du tableau (*Caractéristiques techniques, page 10*) en conformité avec l'installation électrique de votre domicile, en suivant les instructions sur le diagramme du câble. S'il n'est pas possible de débrancher tous les pôles de la source d'alimentation, une unité de déconnexion avec une ouverture minimale de 3 mm (fusibles, interrupteurs de sécurités, contacts) doit être connectée et tous les pôles de cette unité de déconnexion doivent être adjacents au produit (et non au-dessus), conformément aux directives IEE. Le non respect de ces instructions risque de causer des problèmes de fonctionnement et d'invalider la garantie du produit.



Une protection supplémentaire par un disjoncteur de courant résiduel est recommandée.

2. Ouvrez le couvercle du boîtier de raccordement à bornes à l'aide d'un tournevis.
3. Insérez le câble d'alimentation dans le collier de serrage pour câble sous la borne et fixez-le au corps principal avec la vis intégrée sur le collier de serrage.
4. Branchez les câbles en respectant le schéma de câblage.



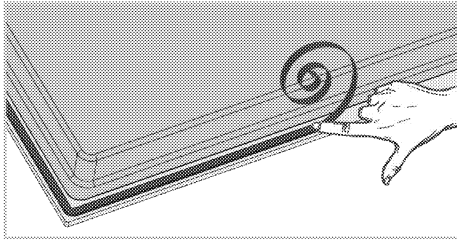
5. Après avoir effectué les connexions électriques, refermez le couvercle du boîtier de raccordement des bornes.
6. Dirigez le câble d'alimentation de sorte qu'il ne soit pas en contact avec le produit ni écrasé entre le produit et le mur.



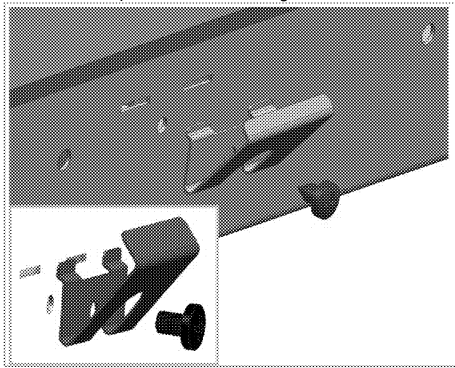
Le câble d'alimentation ne doit pas être plus long que 2 m pour des raisons de sécurité.

Installation des produits

1. Retournez la table de cuisson et placez-la sur une surface plane.
2. Lors de l'installation de la table de cuisson, appliquez le joint d'étanchéité fourni dans l'emballage autour de la table de cuisson comme présenté dans l'illustration suivante, en s'assurant qu'il reste 1 à 2 mm à l'intérieur du bord extérieur du verre.



3. Fixez les ressorts de montage en les insérant et en les vissant à travers les orifices du boîtier inférieur tel qu'illustré dans la figure.



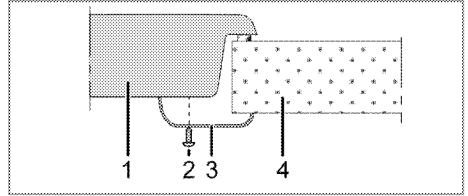
Pour certains modèles, votre produit peut être livré avec les ressorts de montage déjà installés.



Le nombre de ressorts de montage de votre produit varie en fonction du modèle.

4. Placez la table de cuisson sur le plan de travail et alignez-la.

5. Lorsque la table de cuisson est disposée au-dessus du plan de travail, sa fixation se fera aisément grâce aux colliers de serrage. Si les dimensions du plan de travail s'avèrent inappropriées, fixez 2 brides sur la partie avant du produit tel qu'illustré dans la figure.

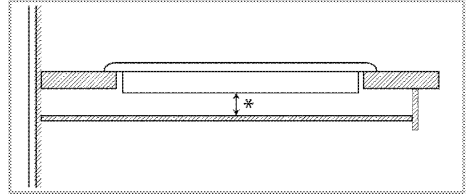


- 1 Table de cuisson
- 2 Vis
- 3 Colliers de serrage de l'installation
- 4 Plan de travail



Quand vous installez la table de cuisson sur un meuble encastré, vous devez mettre une planche pour séparer le meuble de la table de cuisson, comme illustré dans la figure suivante. Cela n'est pas nécessaire quand vous installez un four encastré.

Par exemple, s'il est possible de toucher le bas du produit car il est installé sur un tiroir, cette partie doit être couverte par une plaque en bois.



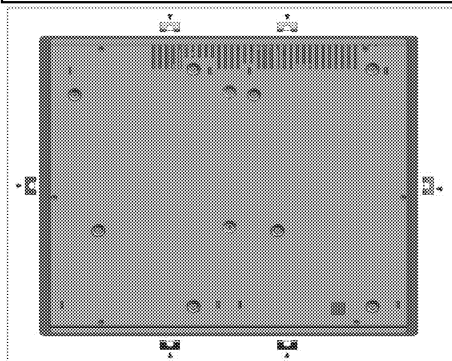
* min. 15 mm

Vue de derrière (orifices de raccord)



L'emplacement des orifices de raccord montrés dans la figure ci-dessous sont indicatifs et peuvent varier selon le modèle du produit.

Fixez-les en fonction des orifices de raccord sur votre produit.



DANGER:

La réalisation des raccords dans d'autres orifices n'est pas une pratique recommandée en termes de sécurité, car cela pourrait endommager le circuit de gaz ou le circuit électrique.



DANGER:

La hotte comporte des éléments fonctionnant à l'électricité et au gaz. À cet effet, il convient de la fixer au plan de travail uniquement par les orifices de fixation, en utilisant seulement les éléments et vis de fixation fournis, et en suivant les instructions du manuel. Au cas contraire, la procédure présenterait des risques pour la sécurité des biens et des personnes.



Le nombre de ressorts de montage de votre produit varie en fonction du modèle.

Vérification finale

1. Mise en marche de l'appareil.
2. Vérifiez les fonctions.

4 Préparation

Conseils pour faire des économies d'énergie

Les conseils suivants vous permettront d'utiliser votre appareil de façon écologique et d'économiser ainsi de l'énergie :

- Décongelez les plats surgelés avant de les cuire.
- Utilisez des récipients munis de couvercles. Sans couvercle, la consommation d'énergie peut être 4 fois plus importante.
- Sélectionnez le brûleur le mieux adapté à la taille du bas de la casserole utilisée. Sélectionnez toujours la casserole à la taille la plus appropriée pour vos plats. Les grandes casseroles nécessitent davantage d'énergie.
- Veillez à utiliser des casseroles à fond plat pour la cuisson sur une table de cuisson électrique. Les casseroles avec un fond épais offrent une meilleure conduction de la chaleur. Vous pouvez économiser jusqu'à 1/3 de l'énergie.
- Les récipients et casseroles doivent être compatibles avec les zones de cuisson. Le fond des ré-

cipients ou des casseroles ne doit pas être plus petit que la plaque chauffante.

- Veillez à ce que les zones de cuisson et le fond des casseroles soient toujours propres. La saleté réduit la conduction de la chaleur entre la zone de cuisson et le fond de la casserole.
- Pour les cuissons longues, éteignez la zone de cuisson 5 à 10 minutes avant la fin du temps de cuisson. Vous pouvez ainsi économiser jusqu'à 20 % d'énergie en utilisant la chaleur résiduelle.

Première utilisation

Premier nettoyage de l'appareil



La surface pourrait être endommagée par certains détergents ou produits de nettoyage. N'utilisez pas de détergents agressifs, de poudre/crèmes de nettoyage ou d'objets tranchants pour le nettoyage.

1. Retirez tous les matériaux d'emballage.
2. Essuyez les surfaces de l'appareil à l'aide d'un chiffon humide ou d'une éponge et terminez avec un chiffon sec.

5 Utilisation de la table de cuisson

Généralités concernant la cuisson



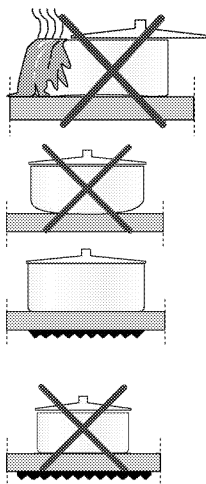
Ne remplissez jamais la poêle à plus d'un tiers. Ne laissez pas la table de cuisson sans surveillance lorsque vous chauffez de l'huile. Une huile surchauffée expose au risque d'incendie. **Ne tentez jamais d'éteindre un éventuel incendie avec de l'eau !** Lorsque l'huile s'enflamme, couvrez-la avec une couverture pare-flammes ou un chiffon humide. Éteignez la table de cuisson si cela ne pose aucun risque et appelez les sapeurs-pompiers.

- Avant de faire frire des aliments, séchez-les toujours avant de les tremper dans l'huile chaude. Assurez-vous que les aliments surgelés soient bien décongelés avant de les faire frire.
- Ne couvrez pas le récipient lorsque vous faites chauffer de l'huile.
- Disposez les poêles et casseroles de manière à ce que leur poignée ne se trouve pas au-dessus de la table de cuisson afin d'éviter de faire chauffer les poignées. Ne placez pas de récipients instables et pouvant se renverser facilement sur la table de cuisson.
- Ne placez pas de récipients et de casseroles vides sur les foyers qui sont allumés. Ils pourraient être endommagés.
- Faire chauffer un foyer en l'absence d'un récipient ou d'une casserole peut entraîner des dommages pour l'appareil. Arrêtez les foyers de cuisson une fois la cuisson terminée.
- La surface de l'appareil peut être brûlante, évitez donc de poser des récipients en plastique ou en aluminium dessus.
Nettoyez immédiatement tout matériau de ce type ayant fondu sur la surface de l'appareil. Évitez également d'utiliser ce type de récipients pour y conserver de la nourriture.
- N'utilisez que des casseroles à fond plat.
- Placez la quantité de nourriture appropriée dans les casseroles utilisées. Ainsi, vous n'aurez pas à effectuer un nettoyage superflu en évitant que vos plats ne débordent.
Ne posez pas les couvercles de vos poêles et casseroles sur les foyers de cuisson.

Placez les casseroles de manière à ce qu'elles soient centrées sur le foyer de cuisson. Lorsque vous voulez déplacer la casserole sur un autre foyer de cuisson, soulevez-la et placez-la sur le foyer de cuisson souhaité au lieu de la faire glisser.

Conseils concernant les plaques vitrocéramiques

- La surface vitrocéramique est à l'épreuve de la chaleur et n'est pas soumise aux différences de températures importantes.
- N'utilisez pas la surface vitrocéramique comme lieu de rangement ou comme planche à découper.
- N'utilisez que des poêles et casseroles avec un fond usiné. Les bords tranchants peuvent rayer la surface.
- N'utilisez pas de récipients et casseroles en aluminium. L'aluminium endommage la surface vitrocéramique.

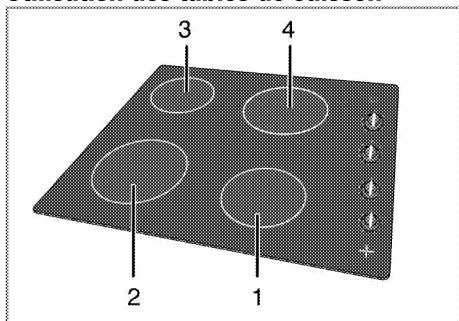


Les débordements peuvent endommager la surface vitrocéramique et entraîner un risque d'incendie.

N'utilisez pas de récipients avec un fond creux ou incurvé.

N'utilisez que des poêles et casseroles avec un fond plat. Elles assurent un meilleur transfert de chaleur. Si le diamètre de la casserole est trop petit, vous gaspillerez de l'énergie.

Utilisation des tables de cuisson



- 1 Plaque de cuisson 14-16cm
- 2 Plaque de cuisson 18-20cm
- 3 Plaque de cuisson 14-16cm
- 4 Plaque de cuisson 18-20 cm (Les dimensions indiquées représentent les diamètres recommandés de poêles et casseroles à utiliser.)



DANGER:

Évitez de laisser tomber un objet sur la table de cuisson. Même de petits objets comme la salière peuvent endommager la table de cuisson.

Évitez d'utiliser des tables de cuisson fissurées. De l'eau peut s'y infiltrer et provoquer un court-circuit.

Si la surface est endommagée d'une manière quelconque (fissures visibles par exemple), éteignez immédiatement l'appareil pour réduire les risques d'électrocution.

La table vitrocéramique est dotée d'un témoin de fonctionnement et d'un voyant d'avertissement de chaleur résiduelle.

Le voyant d'avertissement de chaleur résiduelle indique l'emplacement de la plaque chauffante active et reste allumé après extinction de la plaque chauffante. Lorsque la température de la zone de cuisson baisse à un niveau tel que l'on peut y poser la main, le voyant d'avertissement s'éteint. Le clignotement du voyant d'avertissement de chaleur résiduelle n'est pas une défaillance.

Allumage des plaques en céramique

Les manettes de commande de la table de cuisson sont utilisées pour contrôler les plaques. Pour obtenir la puissance de cuisson désirée, tournez la manette de commande sur le niveau correspondant.

Niveau de cuisson	1	2 — 3	4 — 6
	réchauffer	mijoter, mitonner	cuire, rôtir, bouillir

Extinction des plaques en céramique

Tournez le bouton de la plaque sur OFF (indicateur vers le haut)

6 Maintenance et entretien

Généralités

Un nettoyage régulier de l'appareil en rallongera la durée de vie et diminuera l'apparition de problèmes.



DANGER:

Débranchez l'appareil de la prise d'alimentation avant de commencer le nettoyage et l'entretien.

Vous risqueriez un choc électrique !



DANGER:

Laissez l'appareil refroidir avant de le nettoyer. Les surfaces chaudes peuvent brûler !

- Nettoyez l'appareil après chaque utilisation. Il vous sera ainsi possible d'ôter plus facilement les résidus de nourriture éventuels, évitant ainsi qu'ils ne brûlent lors de l'utilisation suivante.
- Aucun produit nettoyant particulier n'est nécessaire pour nettoyer l'appareil. Utilisez de l'eau tiède avec du détergent, un chiffon doux ou une éponge pour nettoyer l'appareil et essuyez-le à l'aide d'un chiffon sec.
- Veillez toujours à bien essuyer les excès de liquide après le nettoyage et essuyez immédiatement tout déversement.
- N'utilisez pas de détergents contenant de l'acide ou du chlore pour nettoyer les surfaces en acier inoxydable et la poignée. Utilisez un chiffon doux avec un détergent liquide non abrasif pour nettoyer ces parties, en prenant soin de toujours frotter dans le même sens.



La surface pourrait être endommagée par certains détergents ou produits de nettoyage.

N'utilisez pas de détergents agressifs, de poudre/crèmes de nettoyage ou d'objets tranchants pour le nettoyage.



N'utilisez pas de nettoyeurs à vapeur pour le nettoyage de l'appareil, car ceux-ci présentent un risque d'électrocution.

Nettoyage de la table de cuisson

Surfaces vitrocéramiques

Essuyez la surface vitrocéramique à l'aide d'un chiffon humidifié à l'eau froide pour ne pas laisser de traces du produit de nettoyage. Séchez à l'aide d'un chiffon doux et sec. Les résidus peuvent endommager la surface vitrocéramique lors de l'utilisation suivante de la table de cuisson.

Les résidus séchés sur la surface vitrocéramique ne doivent en aucun cas être grattés au moyen de lames à crochet, de laine d'acier ou d'outils similaires.

Éliminez les traces de calcaire (tâches jaunâtres) avec un détartrant comme le vinaigre ou le jus de citron.

Vous pouvez également utiliser les produits appropriés disponibles dans le commerce.

Si la surface est fortement souillée, appliquez le produit de nettoyage avec une éponge et attendez qu'il soit bien absorbé. Nettoyez ensuite la surface de la table de cuisson avec un chiffon humide.



Les aliments sucrés, crèmes épaisses et sirops par exemple, doivent être nettoyés rapidement avant que la surface ne refroidisse.

Dans le cas contraire, la surface vitrocéramique peut être endommagée de manière irréversible.

Avec le temps, une légère décoloration peut se produire sur les revêtements ou d'autres surfaces. Cela n'affecte en rien le fonctionnement du produit.

La surface vitrocéramique se décolore et se tâche dans des conditions normales d'utilisation, il ne s'agit pas d'un défaut.

Nettoyage du bandeau de commande

Nettoyez le bandeau de commande et les boutons de commande avec un chiffon humide et essuyez-les.



Si votre produit est équipé des boutons, ne retirez pas ceux de commande pour nettoyer le panneau de commande.

Le panneau de commande pourrait être endommagé !

7 Recherche et résolution des pannes

Le appareil émet des bruits métalliques lors des phases de chauffage et de refroidissement.

- Lorsque les pièces métalliques sont chauffées, elles peuvent se détendre et émettre ces bruits. >>> *Cela n'est pas un défaut.*

Le appareil ne fonctionne pas.

- Le fusible d'alimentation est défectueux ou grillé. >>> *Vérifiez les fusibles dans la boîte à fusibles. Remplacez ou réactivez-les le cas échéant.*
- L'appareil n'est pas relié à la prise de mise à la terre. >>> *Vérifiez le branchement de la prise.*

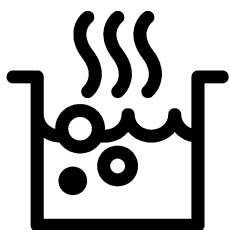


Consultez le technicien autorisé ou le revendeur qui vous a vendu l'appareil si vous ne parvenez pas à résoudre le problème après avoir suivi les instructions comprises dans ce chapitre. N'essayez jamais de réparer un appareil défectueux vous-même.



Inbouwkookplaat

Gebruikershandleiding



NL

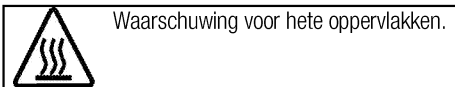
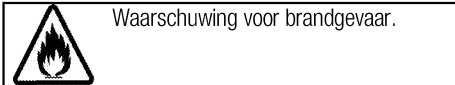
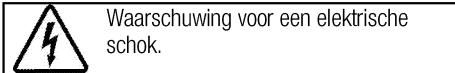
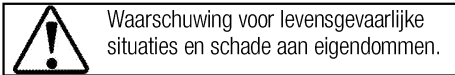
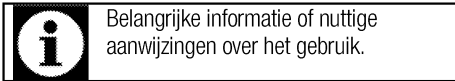
Gelieve eerst deze gebruikershandleiding te lezen!

Beste klant,

Dank u voor het aankopen van een Beko-product. We hopen dat u de beste resultaten verkrijgt uit uw product, dat vervaardigd is met de allernieuwste technologie van hoge kwaliteit. Lees daarom deze volledige gebruikershandleiding en alle andere bijgevoegde documenten zorgvuldig door voordat u het product in gebruik neemt en houd deze ter referentie voor toekomstig gebruik. Als u het product aan iemand anders overdraagt, voeg daar dan de gebruikershandleiding ook bij. Volg alle waarschuwingen en informatie in deze gebruikershandleiding op. Vergeet niet dat deze gebruikershandleiding ook van toepassing kan zijn op verschillende andere modellen. De verschillen tussen de modellen zijn duidelijk aangegeven in de handleiding.

Verklaring van symbolen

In deze gebruikershandleiding worden de volgende symbolen gebruikt:



Arçelik A.Ş.
Karaağaç caddesi No:2-6
34445 Sütlüce/Istanbul/TURKEY
Made in TURKEY

**1 Belangrijke instructies en
waarschuwingen voor veiligheid en
milieu 4**

Algemene veiligheid	4
Elektrische veiligheid	4
Productveiligheid	5
Bedoeld gebruik	7
Kindveiligheid	7
Het oude product afvoeren	7
Verpakkingsmateriaal afvoeren	7
Toekomstig transport	7

2 Algemene informatie 8

Overzicht	8
Technische specificaties	9

3 Installatie 10

Voor installatie	10
Installatie en verbinding	10

4 Voorbereidingen 14

Tips om energie te besparen	14
Het eerste gebruik	14
Eerste reiniging van het toestel	14

5 De kookplaat gebruiken 15

Algemene informatie over koken	15
Gebruik van de kookplaten	15

6 Onderhoud en verzorging 17

Algemene informatie	17
Reiniging van de kookplaat	17
Het bedieningspaneel reinigen	17

7 Problemen oplossen 18

1 Belangrijke instructies en waarschuwingen voor veiligheid en milieu

Dit gedeelte bevat veiligheidsvoorschriften die helpen persoonlijk letsel of schade aan eigendommen te voorkomen. Het niet opvolgen van deze instructies laat alle garantie vervallen.

Algemene veiligheid

- Dit apparaat kan worden gebruikt door kinderen vanaf 8 jaar en personen met verzwakte fysieke, zintuiglijke of mentale toestand, of met een gebrek aan ervaring en kennis, als deze onder toezicht staan of instructies zijn gegeven betreffende het veilige gebruik van het apparaat en op de hoogte zijn van de betrokken gevaren. Laat kinderen niet met het apparaat spelen. Reiniging en gebruikersonderhoud dienen niet zonder toezicht door kinderen uitgevoerd te worden.
- Dit apparaat mag niet worden gebruikt door personen (kinderen inbegrepen) in verzwakte fysieke, zintuiglijke of mentale toestand, of met een gebrek aan ervaring en kennis, tenzij ze onder toezicht staan of instructies hebben gekregen. Zie erop toe dat kinderen niet met het apparaat spelen.
- Indien het product voor persoonlijk of tweedehands gebruik aan iemand anders wordt overgedragen, dienen de gebruikershandleiding, productetiketten en andere relevante documenten en onderdelen ook te worden overhandigd.
- Installatie- en reparatiewerk moet altijd uitgevoerd worden door bevoegde serviceagenten. De fabrikant is niet aansprakelijk voor schade die voortvloeit uit werkzaamheden door onbevoegde personen. Dit kan de garantie ongeldig maken. Lees alvorens de installatie de instructie zorgvuldig door.
- Gebruik het apparaat niet als het defect is of zichtbare schade vertoont.
- Controleer of de functieknoppen van het product na ieder gebruik zijn uitgeschakeld.

Elektrische veiligheid

- Indien het product een defect heeft, moet het niet in gebruik worden genomen zonder dat het gerepareerd is door een bevoegde onderhoudsdienst. Er is kans op elektrische schokken!

- Sluit het product uitsluitend aan op een geaarde uitgang/lijn met een voltage en beveiliging zoals gespecificeerd in de “Technische specificaties”. Laat de aardingsinstallatie aanleggen door een bevoegd elektricien terwijl u het product met of zonder transformator gebruikt. Ons bedrijf is niet aansprakelijk voor problemen die zijn ontstaan doordat het product niet geaard is in overeenstemming met de plaatselijke voorschriften.
- Reinig het product nooit door er water overheen te gooien! Er is kans op elektrische schokken!
- Het product moet tijdens installatie, onderhoud, reiniging en reparatiehandelingen losgekoppeld zijn.
- Als het stroomkabel van het product beschadigd is, moet deze om gevaar te voorkomen worden vervangen door de fabrikant, door zijn onderhoudsdienst of door soortgelijke bevoegde personen.
- Gebruik uitsluitend de stroomkabel zoals gespecificeerd in de “Technische specificaties”.
- Het apparaat dient dusdanig geïnstalleerd te zijn dat het volledig van het netwerk afgesloten kan worden. De loskoppeling dient te geschieden door het uittrekken van de stekker of het uitschakelen van een schakelaar die in de vaste elektrische installatie is ingebouwd, volgens de constructievoorschriften.
- Werk aan elektrische apparatuur of systemen mag uitsluitend worden uitgevoerd door bevoegde en gekwalificeerde personen.
- Zet in geval van schade het product uit en sluit het af van het elektriciteitsnet. Verwijder daartoe de zekering in huis.
- Zorg ervoor dat de stroomwaarde van de zekering compatibel is met het product.

Productveiligheid

- **WAARSCHUWING:** Het toestel en de toegankelijke onderdelen worden warm tijdens de werking. Zorg ervoor dat u geen verwarmingselementen aanraakt. Behalve als ze voortdurend onder toezicht staan, moeten kinderen jonger dan 8 jaar uit de buurt worden gehouden.
- Gebruik het product niet wanneer uw beoordelingsvermogen of coördinatie nadelig beïnvloed worden door het gebruik van drugs en/of alcohol.
- Wees voorzichtig bij het gebruiken van alcoholische dranken in uw maaltijden. Alcohol verdampt bij hoge temperaturen en kan brand veroorzaken

aangezien het vlam vat wanneer het in contact komt met warme oppervlakken.

- Plaats geen ontvlambare materialen dichtbij het apparaat aangezien de zijkanten heet worden tijdens gebruik.
- Houd alle ventilatiesleuven vrij van obstakels.
- Gebruik geen stoomreinigers om het toestel schoon te maken, want dat kan elektrische schokken veroorzaken.
- **WAARSCHUWING:** Onbeheerd koken op een kookplaat met vet of olie kan gevaarlijk zijn en kan leiden tot brand. Probeer **NOOIT** een brand met water te blussen, maar schakel het apparaat uit en bedek vervolgens de vlam met bijvoorbeeld, een deksel of een branddeken.
- **OPGELET:** Er moet worden toegezien op het kookproces. Er moet voortdurend worden toegezien op een kort kookproces.
- **WAARSCHUWING:** Brandgevaar: Bewaar geen items op de kookplaten.
- **WAARSCHUWING:** Als het oppervlak gebarsten is, schakel het apparaat uit om de mogelijkheid van een elektrische schok te voorkomen.
- In geval van een breuk van de glazen kookplaat: Sluit

onmiddellijk alle branders en het elektrisch verwarmingselement af en trek de stekker uit het stopcontact. Raak het apparaatoppervlak niet aan. Gebruik het apparaat niet.

- Dit apparaat is niet bedoeld om bediend te worden d.m.v. een externe timer of een afzonderlijke afstandsbediening.
- Stoomdruk die zich ophoopt door vocht op het kookplaatoppervlak of op de bodem van de pot kan de pot doen bewegen. Verzeker u er daarom van dat het fornuisoppervlak en de onderkant van de pannen altijd droog zijn.
- **WAARSCHUWING:** Gebruik uitsluitend fornuisbeschermers die door de fabrikant van het kooktoestel zijn ontworpen of die door de fabrikant van het toestel in de gebruiksaanwijzing geschikt zijn verklaard of fornuisbeschermers die onderdeel zijn van het toestel. Het gebruik van ongeschikte beschermers kan ongelukken veroorzaken.

Voor de betrouwbaarheid van de brandbaarheid van het product;

- Zorg ervoor dat de stekker past bij de contactdoos en dat er geen vonken kunnen ontstaan.
- Gebruik geen beschadigde of gesneden kabel of een

verlengkabel, behalve de originele kabel.

- Zorg ervoor dat er geen vloeistof of vocht zit op de ingestoken stekker van het product.

Bedoeld gebruik

- Dit product is bedoeld voor huishoudelijk gebruik. Commercieel gebruik is niet toegelaten.
- OPGELET: Dit toestel is uitsluitend bedoeld voor het koken. Het mag niet als verwarmingstoestel worden gebruikt".
- De fabrikant is niet aansprakelijk voor schade veroorzaakt door foutief gebruik of bediening.

Kindveiligheid

- WAARSCHUWING: Toegankelijke onderdelen kunnen tijdens gebruik heet worden. Houd jonge kinderen uit de buurt.
- De verpakkingsmaterialen kunnen gevaarlijk zijn voor kinderen. Houd de verpakkingsmaterialen buiten het bereik van kinderen. Doe alle delen van de verpakking weg volgens de milieunormen.
- Elektrische toestellen zijn gevaarlijk voor kinderen. Houd kinderen bij het product vandaan als het in gebruik is en sta niet toe dat ze ermee spelen.

- Plaats geen items boven het toestel binnen het bereik van kinderen.

Het oude product afvoeren

Voldoet aan de WEEE-richtlijn en de richtlijnen voor afvoeren van het restproduct:



Dit product voldoet aan de EU-richtlijn WEEE (2012/19/EU). Dit product is voorzien van een classificatiesymbool voor afvalsortering van elektrische en elektronische apparatuur (WEEE).

Dit product werd vervaardigd uit onderdelen en materialen van hoge kwaliteit die hergebruikt kunnen worden en geschikt zijn voor recycling. Gooi het restproduct aan het einde van zijn levensduur niet weg bij normaal huishoudelijk of ander afval. Breng het naar het verzamelpunt voor recycling van elektrische en elektronische apparatuur. Raadpleeg uw plaatselijke autoriteiten om te weten waar u deze verzamelpunten aantreft.

Voldoet aan RoHS-richtlijn:

Het door u aangekochte product voldoet aan de EU-richtlijn RoHS (2011/65/EU). Het bevat geen schadelijke en verboden materialen die in deze richtlijn zijn opgenomen.

Verpakkingsmateriaal afvoeren

- Verpakkingsmateriaal is gevaarlijk voor kinderen. Houd verpakkingsmateriaal op een veilige plek buiten het bereik van kinderen. Verpakkingsmateriaal van het product wordt vervaardigd van recyclebaar materiaal. Voer het netjes af en sorteer het overeenkomstig de regels voor recyclebaar afval. Werp het niet weg bij het normale huisafval.

Toekomstig transport

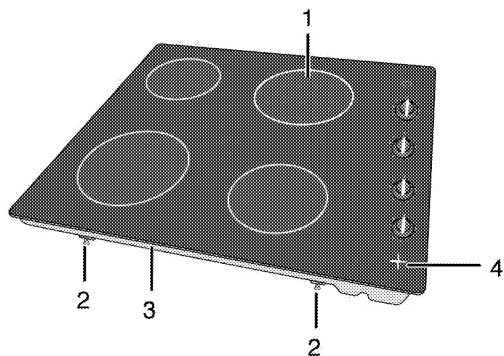
- Bewaar de originele doos van het product en vervoer het product daarin. Volg de aanwijzingen op de doos. Als u de originele doos niet hebt, verpak het product dan in luchtkussenfolie of dik karton en tape het goed vast.



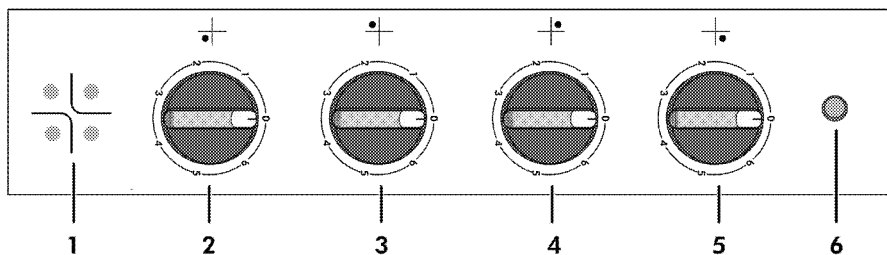
Controleer globaal het uiterlijk van uw product op eventuele schade die tijdens het transport werd veroorzaakt.

2 Algemene informatie

Overzicht



- | | | | |
|---|--------------------------|---|--------------------------------|
| 1 | Single-circuit kookplaat | 3 | Basisdeksel |
| 2 | Montageklem | 4 | Indicatorlampje kookplaat heet |



- | | | | |
|---|---|---|---|
| 1 | Indicatorlampje kookplaat heet | 4 | Single-circuit kookplaat Links achteraan |
| 2 | Single-circuit kookplaat Rechts vooraan | 5 | Single-circuit kookplaat Rechts achteraan |
| 3 | Single-circuit kookplaat Links vooraan | 6 | Waarschuwinglamp |

Technische specificaties

Elektrische spanning / frequentie	220-240 V/380-415V 2N ~ 50 Hz
Totaal stroomverbruik	5800 W
Kabeltype/-functionaliteit	min.H05V2V2-F 3 x 2,5 mm ² / 5 x 1,5 mm ²
Buitenste afmetingen (hoogte/breedte/diepte)	71 mm/580 mm/510 mm
Toestelafmetingen (breedte/diepte)	560(+2) mm /490(+2) mm
Branders	
Rechts vooraan	Single-circuit kookplaat
Afmetingen	140 mm
Stroom	1200 W
Links vooraan	Single-circuit kookplaat
Afmetingen	180 mm
Stroom	1700 W
Links achteraan	Single-circuit kookplaat
Afmetingen	140 mm
Stroom	1200 W
Rechts achteraan	Single-circuit kookplaat
Afmetingen	180 mm
Stroom	1700 W



De technische specificaties mogen zonder voorafgaande kennisgeving gewijzigd worden om de productkwaliteit te verbeteren.



De afbeeldingen in deze handleiding zijn schematisch en komen mogelijk niet exact overeen met uw product.



Waarden vermeld op de productlabels of in de bijgeleverde documentatie worden verkregen onder laboratoriumomstandigheden overeenkomstig de relevante standaarden. Deze waarden kunnen schommelen afhankelijk van de werkings- en omgevingsomstandigheden van het product.

3 Installatie

Product dient geïnstalleerd te worden door een bekwaam persoon in overeenstemming met de van kracht zijnde voorschriften. De fabrikant is niet aansprakelijk voor schade die voortvloeit uit werkzaamheden door onbevoegde personen. Mogelijk kan dit de garantie ongeldig maken.



De voorbereiding van de locatie en de elektriciteitsinstallatie voor het product vallen onder de verantwoordelijkheid van de klant.



GEVAAR:

Het product moet aangesloten worden overeenkomstig de lokale gas- en elektriciteitsvoorschriften.



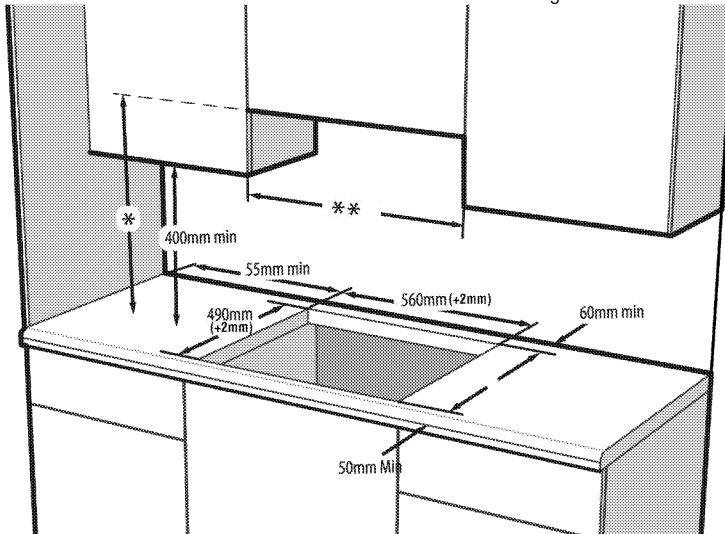
GEVAAR:

Controleer vóór installatie van het product of het zichtbare gebreken heeft.
Zo ja, laat het dan niet installeren.
Beschadigde producten vormen een gevaar voor uw veiligheid.

Voor installatie

De kookplaat is ontworpen voor installatie in een commercieel werkblad. Er moet een veiligheidsafstand worden gelaten tussen het apparaat en de keukenwanden en het keukenmeubilair. Zie afbeelding (waarden in mm).

- Het fornuis kan ook losstaand worden geplaatst. Voorzie een minimumafstand van 750 mm boven het kookoppervlak.
- (*) Indien boven het fornuis een afzuigkap wordt geplaatst, dient u de instructies van de fabrikant te raadplegen met betrekking tot de installatiehoogte (minstens 650 mm)
- Verwijder verpakkingsmateriaal en transportsloten.
- Oppervlakken, synthetische laminaten en hechtmiddelen die worden gebruikt, moeten warmtebestendig zijn. (100° C minimum).
- Het werkblad moet uitgelijnd zijn en horizontaal bevestigd zijn.
- Maak een opening voor de kookplaat in het werkblad volgens de installatieafmetingen.



* De minimumhoogte naar de afzuiger zoals aanbevolen in de instructiehandleiding van de afzuiger

** De minimumafstand tussen de kasten moet gelijk zijn aan de breedte van de kookplaat



Installeer de kookplaat niet op plaatsen met scherpe randen of hoeken.
Er bestaat een risico dat het keramische oppervlak breekt!

Installatie en verbinding

- Het product moet overeenkomstig de lokale gas- en elektriciteitsvoorschriften aangesloten worden.

Elektrische aansluiting

Sluit het product aan op een geaarde contactdoos die beveiligd is door een zekering met geschikte capaciteit

zoals vermeld in de tabel "Technische specificaties".
Laat de aardingsinstallatie aanleggen door een bevoegd elektricien terwijl u het product met of zonder transformator gebruikt. Ons bedrijf is niet aansprakelijk voor schade die voortvloeit uit het gebruik van het product zonder een aardingsinstallatie overeenkomstig de plaatselijke voorschriften.



GEVAAR:

Het product mag uitsluitend door een bevoegde en gekwalificeerde persoon op de netvoeding aangesloten worden. De garantieperiode van het product gaat uitsluitend in na correcte installatie. De fabrikant is niet aansprakelijk voor schade die voortvloeit uit werkzaamheden door onbevoegde personen.



GEVAAR:

De stroomkabel mag niet worden vastgeklemd, verbogen of samengedrukt of in contact komen met warme onderdelen van het product. Een beschadigde stroomkabel moet door een bevoegde elektricien worden vervangen. Anders bestaat er een risico op een elektrische schok, kortsluiting of brand!

- De aansluiting moet voldoen aan de landelijke voorschriften.
- De gegevens over de stroomvoorziening moeten overeenkomen met de gegevens vermeld op het typeplaatje van het product. Het modellabel bevindt zich op de achterkant van het product.
- De stroomkabel van uw product moet voldoen aan de waarden in de tabel "Technische specificaties".



GEVAAR:

Koppel het product los van het elektriciteitsnet voordat met werk aan de elektrische installatie begonnen wordt. Er is kans op elektrische schokken!

Het aansluiten van de stroomkabel



Tijdens het aanleggen van de bedrading dient u de nationale/plaatselijke elektrische voorschriften na te leven en de geschikte contactdoos en stekker voor de oven te gebruiken. In het geval de stroomlimieten van het product de draagcapaciteit van de stekker en contactdoos overschrijden, dient het product direct op de vaste elektrische installatie te worden aangesloten zonder de stekker en contactdoos te gebruiken.

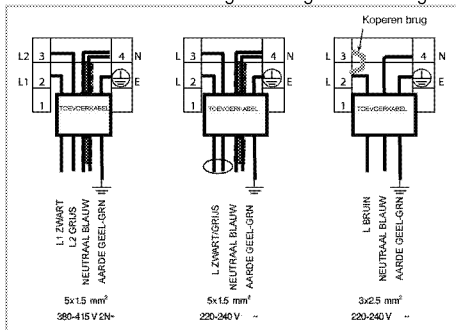
1. **Als uw product niet met een stroomkabel geleverd is** dient u een stroomkabel uit de tabel (*Technische specificaties, pagina 9*) te kiezen die overeenkomt met de elektrische installatie bij u thuis en dient u deze aan te sluiten op uw product volgens de instructies in het kabeldiagram.

Indien het niet mogelijk is alle polen in de stroomtoevoer af te sluiten dient er een afsluiterheid met minstens 3 mm contactdoortoolaat (zekeringen, lijnveiligheidschakelaars, schakelaars) aangesloten te worden en dienen alle polen van deze afsluiterheid zich in de buurt (niet boven) van het product te bevinden overeenkomstig de IEE-richtlijnen. Het niet nakomen van deze instructie kan operationele problemen veroorzaken en de garantie van het product ongeldig maken.



Aanvullende bescherming door een overblijvende stroomonderbreker wordt aanbevolen.

2. Open de klembeschermer met een schroevendraaier.
3. Steek de stroomkabel door de kabelklem onder de sluitklem en maakt deze vast aan het hoofdgedeelte met de geïntegreerde schroef op het kabelklemdeel.
4. Verbind de kabels volgens het geleverde diagram.



5. Sluit, na de voltooiing van de draadaansluitingen, de klembeschermer.
6. Leid de stroomkabel dusdanig dat het geen contact met het product maakt en dat het niet beklemd raakt tussen het product en de muur.

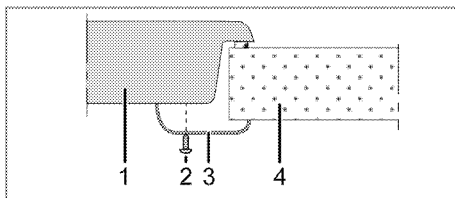
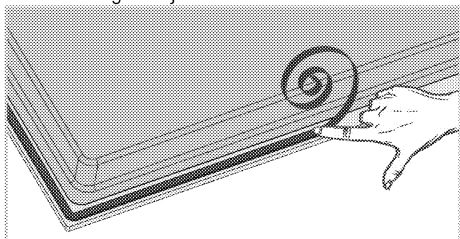


De stroomkabel mag om veiligheidsredenen niet langer zijn dan 2 m.

Het product installeren

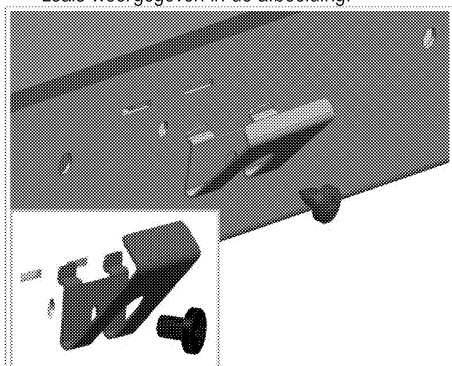
1. Draai de kookplaat om en leg deze op een vlak oppervlak.
2. Bij de installatie van de kookplaat dient u de afdichtingspakking, die bij de verpakking werd

geleverd, rond de kookplaat aan te brengen zoals getoond in de volgende afbeelding. Zorg hierbij voor dat deze 1 tot 2 mm binnenin de buitenrand van het glas blijft.



- 1 Kookplaat
- 2 Schroef
- 3 Installatieklem
- 4 Werkblad

3. Bevestig de montageveren door ze in de gaten te plaatsen en ze vast te schroeven op de onderkast zoals weergegeven in de afbeelding.



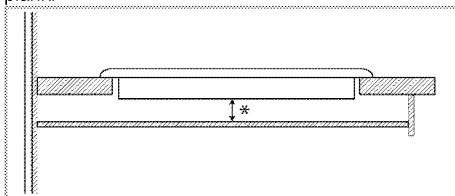
i Op sommige modellen zijn de montageveren al bevestigd.

i Het aantal bevestigingsveren op uw product varieert afhankelijk van het productmodel.

4. Plaats de kookplaat op het aanrecht en lijn deze uit.
5. Als de kookplaat wordt bevestigd op het aanrechtblad, wordt deze met behulp van de klemmen makkelijk vastgezet. Als de afmetingen van het aanrechtblad niet passen, kunnen 2 bevestigingsklemmen aan de voorkant van het product worden bevestigd, zoals weergegeven in de onderstaande afbeelding.

i Bij de installatie van de kookplaat op een kastje dient er een plank geïnstalleerd te worden om de kast van de kookplaat af te scheiden, zoals weergegeven in de bovenstaande afbeelding. Dit is niet nodig indien er geïnstalleerd wordt op een inbouwoven.

Indien het bijvoorbeeld mogelijk is de onderkant van het product aan te raken bij installatie op een lade dient dit gedeelte afgedekt te worden met een houten plank.

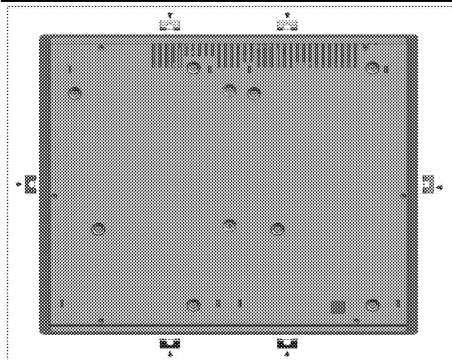


* min. 15 mm

Achteraanzicht (aansluitopeningen)



De locatie van de verbindingsgaten op onderstaande afbeelding zijn schematisch en kunnen verschillen afhankelijk van het model. Deze moeten worden aangepast in functie van de verbindingsgaten die op uw product zijn aangebracht.



GEVAAR:

Verbindingen maken naar verschillende openingen is geen goede veiligheidsoefening, aangezien het het gas -en elektriciteitssysteem kan beschadigen.



GEVAAR:

Kookplaat bevat onderdelen die op gas en stroom werken. Daarom moet de kookplaat uitsluitend op een werkblad worden bevestigd door middel van de bevestigingsgaten, en uitsluitend met de vergrendelelementen en schroeven die zijn meegeleverd en zoals aangegeven in de handleiding. Anders bestaat er gevaar voor leven en eigendom.



Het aantal bevestigingsveren op uw product varieert afhankelijk van het productmodel.

Laatste controle

1. Het product bedienen.
2. Controleer de functies.

4 Voorbereidingen

Tips om energie te besparen

De volgende informatie zal u helpen om uw apparaat op een ecologische manier te gebruiken en energie te besparen:

- Ontdooi bevroren gerechten voor u ze bereidt.
- Gebruik potten/pannen met deksels om te koken. Als u geen deksel gebruikt kan het energieverbruik met 4 keer toenemen.
- Kies de brander die geschikt is voor de bodemmaat van de te gebruiken pan. Kies altijd de juiste pannemaat voor uw gerechten. Grotere pannen behoeven meer energie.
- Let erop plattebodempotten te gebruiken als u met elektrische kookplaten kookt. Pannen met een dikke bodem voorzien in een betere warmtegeleiding. U kunt tot een 1/3 energie besparen.
- Schalen en pannen moeten compatibel zijn met de kookzones. De bodem van de schalen of pannen mogen niet kleiner zijn dan de kookplaat.

- Houd de kookzones en de bodem van de pannen schoon. Vuil zal de warmtegeleiding tussen de kookzones en de bodem van de pan verminderen.
- Voor lang koken draait u de kookzone 5 of 10 minuten voor het eind van de kooktijd uit. U kunt tot 20% energie besparen door de resterende warmte te gebruiken.

Het eerste gebruik

Eerste reiniging van het toestel



Het oppervlak kan beschadigd geraken door sommige detergents of reinigingsmaterialen. Gebruik geen agressieve detergents, reinigingspoeder/melk of scherpe voorwerpen tijdens het reinigen.

1. Verwijder alle verpakkingsmaterialen.
2. Veeg de oppervlakken van het toestel met een vochtige doek of spons en droog het met een doek.

5 De kookplaat gebruiken

Algemene informatie over koken

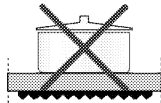
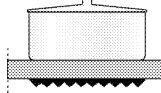
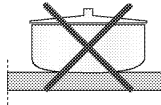
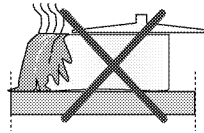


Vul de de pan nooit voor meer dan eenderde met olie. Laat de kookplaat niet onbewaakt achter als u olie verhit. Oververhitte olie geeft brandgevaar. **Probeer een mogelijk vuur nooit te doven met water!** Bedek olie als het in brand vliegt met een branddeken of een vochtige doek. Zet de kookplaat, als dit veilig kan, uit en bel de brandweer.

- Droog eten steeds goed af voor het koken en plaats het voorzichtig in de hete olie. Zorg ervoor dat etenswaren volledig zijn ontdooid voor het koken.
- Dek de kookpot niet af als u olie verwarmt.
- Plaats potten en steelpannen zo op de kookplaat dat de handvatten niet over de kookplaat hangen om te voorkomen dat ze opwarmen. Plaats geen kookpotten op de kookplaat die gemakkelijk overhellen of omvallen.
- Plaats geen lege kookpotten en steelpannen op kookzones die zijn ingeschakeld. Ze kunnen beschadigd raken.
- Een kookzone bedienen zonder kookpot of steelpan zal schade veroorzaken aan het product. Schakel de kookzone uit nadat u klaar bent met koken.
- Plaats geen plastic of aluminium kookpotten op het oppervlak omdat dat heet kan zijn. Reinig dergelijke gesmolten materialen meteen van het oppervlak. Dergelijke potten worden best ook niet gebruikt om voedsel in te bewaren.
- Gebruik enkel steelpannen of kookpotten met een vlakke bodem.
- Plaats de aangewezen hoeveelheid voedsel in steelpannen en pannen. Zo hoeft u niet onnodig te reinigen door het overvloeien van voedsel te voorkomen. Plaats geen deksels van steelpannen of pannen op kookzones. Plaats steelpannen zo dat ze gecentreerd staan op de kookzone. Als u een steelpan van één kookzone naar een andere wenst te verplaatsen, heft u ze op in plaats van ze naar de andere kookzone te schuiven.

Tips voor glazen keramische kookplaten

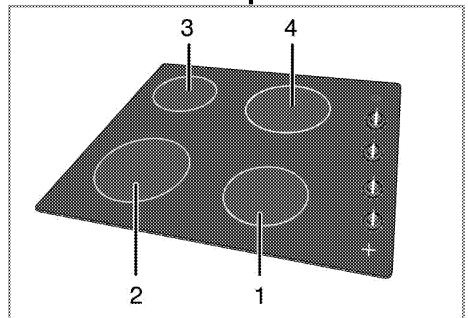
- Glazen keramische oppervlakken zijn hittebestendig en worden niet aangetast door grote temperatuurverschillen.
- Gebruik het glazen keramische oppervlak niet als opslagplaat of snijoppervlak.
- Gebruik enkel steelpannen en pannen met thermodiffusor bodem. Scherpe randen veroorzaken krassen op het oppervlak.
- Gebruik geen aluminium kookpotten en pannen. Aluminium beschadigt het glazen keramische oppervlak.



Gemorste vloeistoffen kunnen het glazen keramische oppervlak beschadigen en vuur veroorzaken. Gebruik geen kookpotten met concave of convexe bodems.

Gebruik enkel steelpannen en pannen met vlakke bodem. Deze verzekeren een betere warmteverdeling. Als de diameter van de steelpan te klein is, zal er energie verloren gaan.

Gebruik van de kookplaten



- 1 Single-circuit kookplaat 14-16cm
- 2 Single-circuit kookplaat 18-20cm
- 3 Single-circuit kookplaat 14-16cm

- 4 Single-circuit kookplaat 18-20 cm is een lijst lijst van aanbevolen kookpotdiameters om te gebruiken op de overeenkomstige branders.

 **GEVAAR:**
Laat geen voorwerpen op de kookplaat vallen. Zelfs kleine voorwerpen zoals een zoutvaatje kunnen de kookplaat beschadigen. Gebruik geen gebarsten kookplaten. Er kan water door deze barsten lekken en kortsluiting veroorzaken.
Als u enige schade op het oppervlak aantreft (bijv. zichtbare barsten) dient u het product onmiddellijk uit te zetten om het risico op een elektrische schok te minimaliseren.

De keramische kookplaat is uitgerust met een bedieningslampje en een waarschuwingsindicator voor hete zones.
De waarschuwingsindicator voor hete zones bepaalt de status van de actieve zone en blijft branden nadat de

kookplaat werd uitgezet. De waarschuwingsindicator wordt uitgeschakeld als de kookplaat voldoende is afgekoeld om hem veilig met de hand aan te raken. Een flinkerende waarschuwingsindicator voor hete zones is geen storing.

De keramische kookplaten inschakelen

De kookplaatknoppen worden gebruikt om de platen te bedienen. Om het gewenste kookvermogen te verkrijgen, draait u de kookplaatknoppen naar het overeenkomstige niveau.

Kookniveau	1	2 — 3	4 — 6
	opwarmen	stoven, sudderem	bakken, roosteren, koken

De keramische kookplaten uitschakelen

Draai de kookplaatknop naar de uit-positie (boven).

6 Onderhoud en verzorging

Algemene informatie

De levensduur van het product zal worden verlengd en er zullen minder vaak problemen zijn als het product regelmatig wordt gereinigd.



GEVAAR:

Sluit het product van de stroom af voor te beginnen met onderhouds- en reinigingswerk. Er is kans op elektrische schokken!



GEVAAR:

Laat het product afkoelen voordat u het reinigt. Hete oppervlakken kunnen brandwonden veroorzaken!

- Reinig het product grondig na ieder gebruik. Zo kunt u kookresten gemakkelijker verwijderen, en voorkomt u dat ze verbranden als u het apparaat de volgende keer gebruikt.
- Er zijn geen speciale reinigingsmiddelen vereist om het product te reinigen. Gebruik warm water met wasvloeistof, een zachte doek of spons voor het reinigen van het product en een droge doek om het te drogen.
- Zorg er steeds voor dat overvloedige vloeistoffen worden afgeveegd na de reiniging en dat gemorste vloeistoffen steeds meteen worden afgeveegd.
- Gebruik voor het reinigen van roestvrijstalen oppervlakken en de handgreep geen reinigingsmiddelen die zuur of chloride bevatten. Gebruik een zachte doek met een vloeibaar detergent (niet-schurend) om deze onderdelen schoon te vegen, en let erop dat u in één richting veegt.



Het oppervlak kan beschadigd geraken door sommige detergenten of reinigingsmaterialen. Gebruik geen agressieve detergenten, reinigingspoeder/melk of scherpe voorwerpen tijdens het reinigen.



Gebruik geen stoomreinigers om het toestel schoon te maken, want dat kan elektrische schokken veroorzaken.

Reiniging van de kookplaat

Glazen keramische oppervlakken

Veeg over het glazen keramische oppervlak met een koude vochtige doek om te voorkomen dat er reinigingsmiddel achterblijft. Droog af met een zachte en droge doek. Resten kunnen het glazen keramische oppervlak beschadigen bij het volgende gebruik van de kookplaat.

Gedroogde restjes mogen nooit van het glazen keramische oppervlak worden gekrast met gebogen messen, staalwol of gelijkaardige gereedschappen. Verwijder calciumvlekken (gele vlekken) met een kleine hoeveelheid ontkalker zoals azijn of citroensap. U kunt ook geschikte commercieel beschikbare producten gebruiken.

Breng het reinigingsmiddel aan op een spons en wacht tot het goed ingetrokken is als het oppervlak erg vervuild is. Reinig daarna het oppervlak van de kookplaat met een vochtige doek.



Voedingswaren op basis van suiker, zoals volle room en siroop moeten meteen worden gereinigd zonder te wachten tot het oppervlak is afgekoeld. Anders kan het glazen keramische oppervlak permanent worden beschadigd.

Na verloop van tijd kan de kleur van de deklaag of andere oppervlakken licht vervagen. Dit heeft geen effect op de werking van het product.

Vervaging van de kleur en vlekken op het glazen keramische oppervlak zijn normaal en dus geen defect.

Het bedieningspaneel reinigen

Reinig bedieningspaneel en knoppen met een vochtige doek en veeg ze droog.



Verwijder de knoppen van uw product niet tijdens het reinigen van het bedieningspaneel. Het bedieningspaneel kan beschadigd worden!

7 Problemen oplossen

Als de oven verwarmt en koelt geeft deze metaalachtige geluiden.

- Wanneer de metalen onderdelen worden verwarmd, kunnen deze uitzetten en geluid veroorzaken. >>> *Dit is geen fout.*

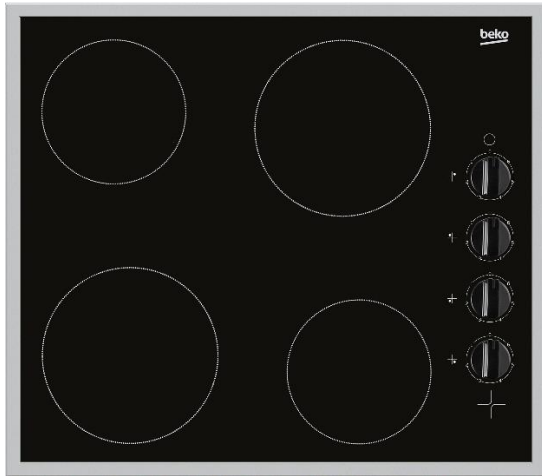
Het product werkt niet.

- De hoofdzekering is defect of doorgeslagen. >>> *Controleer zekeringen in de zekeringenkast. Vervang of reset deze indien nodig.*
- De stekker van het product zit niet in het (geaarde) stopcontact. >>> *Controleer de plugkoppeling.*



Raadpleeg de bevoegde serviceagent of de dealer waarbij u het product hebt gekocht als u, ondanks het doorvoeren van de aanwijzingen in dit gedeelte, het probleem niet kunt oplossen. Probeer nooit om een product met gebreken zelf te repareren.

Autarkes Kochfeld



HIC 64100 X

EAN: 8690769374621

Notizen

- Autarkes Kochfeld - Sologerät
- Bedienknebel rechts oben
- Edelstahlrahmen

Allgemein:

Typ: Glaskeramik-Kochfeld

Einbau-Gerät: Ja

Anzahl Kochzonen: 4

Zweikreis-Zone: Nein

Steuerung: Bedienknebel

Betriebsanzeige: Ja

Digitale Anzeige der Kochstufe: Nein

Timer: Nein

Sicherheitsabschaltung (gegen zu langen Dauerbetrieb): Nein

Glas-Inlay: Ja

Farbe Kochfeld: Schwarz

Memory-Funktion: Nein

Slide&Cook: Nein

Stop&Go: Nein

Geeignet für flächenbündigen Einbau: Nein

Automatikprogramme: Nein

Rahmen: Edelstahlrahmen

Kochstufen je Zone: 6

Bräterzone: Nein

Anschlusskabel: Ja

Restwärmeanzeige: Ja

Booster-Funktion Schnellaufheizung: Nein

Kindersicherung: Nein

Überlaufschutz: Nein

Reinigungsschaber: Nein

Farbe LED (Display): --

Geeignet für Power-Splitter: Ja

FlexInduktion: Nein

EasyFit: Nein

Direct Access: Nein

Induktion: Nein

Autarkes Kochfeld

Kochzonen:

Kochzonen Anzahl: 4
Vorne links: Ø 180 mm – 1700 W
Hinten links: Ø 140 mm – 1200 W
Vorne rechts: Ø 140 mm – 1200 W
Hinten rechts: Ø 180 mm – 1700 W
Mitte: ---

Technische Daten

Max. Stromstärke (A): 2x 16	Anschlusswert (W): 5800
Frequenz (Hz): 50	Anschluss: Kabel, Herdsteckdose
Spannung (V): 380-415	

Maße und Gewicht

Unverpackt

Höhe (mm): 71	Breite (mm): 580
Tiefe (mm): 510	Gewicht (kg): 7,6

Verpackt

Höhe (mm): 125	Breite (mm): 655
Tiefe (mm): 550	Gewicht (kg): 9

Einbau

Nischenmaß (BxT in mm): 560 x 490



Joye

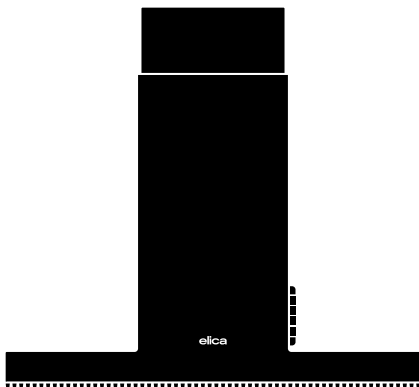
Design by **Elica Design Center**

Allgemeine Angaben

GEWICHT (KG)	FINISHING	MASSE (CM)
15	Rostfreier Stahl + Schwarzes Glas	90
ENERGIEKLASSE	MINDESTABSTAND ZUM OBERSCHRANK (IN DER HÖHE) INDUKTION- /STRAHLUNGSKOCHFELD	MINDESTABSTAND ZUM OBERSCHRANK (IN DER HÖHE) GASKOCHFELD
A	50cm	65cm
AUSLASSÖFFNUNG	BELEUCHTUNG	ABSORPTION
150mm	Led 2x2.5 W - 3000 K - 381 LUX	205W

Saugleistung

INTENSIVLEISTUNG MIN-MAX	GERÄUSCHPEGEL MIN-MAX	CONTROLS
260m ³ /h - 620m ³ /h	49db(A) - 69db(A)	Drucktasten Mech. 3G



IT Istruzioni di montaggio e d'uso | **EN** Instruction on mounting and use |
DE Montage- und Gebrauchsanweisung |
FR Prescriptions de montage et mode d'emploi |
NL Montagevoorschriften en gebruiksaanwijzingen |
ES Montaje y modo de empleo | **PT** Instruções para montagem e utilização |
EL Οδηγίες συναρμολόγησης και χρήσης | **SV** Monterings- och bruksanvisningar |
FI Asennus- ja käyttöohjeet | **NO** Instrukser for montering og bruk |
DA Bruger- og monteringsvejledning | **PL** Instrukcja montażu i obsługi |
CS Návod na montáž a používání | **SK** Varovania a inštalácia |
HU Felszerelési és használati utasítás | **BG** Инструкции за монтаж и употреба |
RO Instrucțiuni de montaj și utilizare | **RU** Инструкция по монтажу и эксплуатации |
UK Інструкція з монтажу і експлуатації | **KK** Монтаждау мен пайдалану нұсқауы |
ET Paigaldus- ja kasutusjuhend | **LT** Montavimo ir naudojimosi instrukcija |
LV Ierīkošanas un izmantošanas instrukcija | **SR** Uputstva za montažu i upotrebu |
SL Opozorila in namestitvev | **HR** Uputstva za montažu i za uporabu |
TR Montaj ve kullanım talimatları | **AR** لوائح استعمال التركيب طرق

elica®


Il prodotto è concepito per l'aspirazione dei fumi e vapori della cottura ed è destinato al solo uso domestico.

Attenersi strettamente alle istruzioni riportate in questo manuale. Si declina ogni responsabilità per eventuali inconvenienti, danni o incendi provocati al prodotto derivati dall'inosservanza delle istruzioni riportate in questo manuale.

L'apparecchio potrebbe avere estetiche differenti rispetto a quanto illustrato nei disegni di questo libretto, comunque le istruzioni per l'uso, la manutenzione e l'installazione rimangono le stesse.

• È importante conservare tutti i manuali che accompagnano il prodotto per poterli consultare in ogni momento. In caso di vendita, di cessione o di trasloco, assicurarsi che restino insieme al prodotto. • Leggere attentamente le istruzioni: ci sono importanti informazioni sull'installazione, sull'uso e sulla sicurezza. • Verificare l'integrità del prodotto prima di procedere con l'installazione. In caso contrario contattare il rivenditore e non proseguire con l'installazione.

■ NOTE

 : i particolari contrassegnati con questo simbolo sono acquistabili separatamente presso rivenditori specializzati.

* : i particolari contrassegnati con questo simbolo sono accessori opzionali forniti solo in alcuni modelli e sono acquistabili sui siti www.elica.com e www.shop.elica.com.

■ SICUREZZA E NORMATIVE

SICUREZZA GENERALE

• Non effettuare variazioni elettriche o meccaniche sul prodotto o sulle condotte di scarico. • Prima di qualsiasi operazione di pulizia o manutenzione, disinserire il prodotto dalla rete elettrica togliendo la spina o staccando l'interruttore generale dell'abitazione. • Per tutte le operazioni di installazione e manutenzione utilizzare guanti da lavoro. • Il prodotto può essere utilizzato da bambini di età non inferiore a 8 anni e da persone con ridotte capacità fisiche, sensoriali o mentali, o prive di esperienza o della necessaria conoscenza, purché sotto sorveglianza oppure dopo che le stesse abbiano ricevuto istruzioni relative all'uso sicuro dell'apparecchio e alla comprensione dei pericoli ad esso inerenti. • I bambini devono essere controllati affinché non giochino con il prodotto. • La pulizia e la manutenzione non deve essere effettuata da bambini senza sorveglianza. • Il locale deve disporre di sufficiente ventilazione, quando il prodotto viene utilizzato contemporaneamente ad altri apparecchi a combustione di gas o altri combustibili. • Il prodotto va frequentemente pulito sia internamente che esternamente (ALMENO UNA VOLTA AL MESE), rispettare comunque quanto espressamente

indicato nelle istruzioni di manutenzione. • L'inosservanza delle norme di pulizia del prodotto e della sostituzione/pulizia dei filtri comporta rischi di incendi. • E' severamente vietato fare cibi alla fiamma sotto il prodotto. • **ATTENZIONE:** Quando il piano di cottura è in funzione le parti accessibili del prodotto possono diventare calde. • Non collegare il prodotto alla rete elettrica finché l'installazione non è totalmente completata. • Per quanto riguarda le misure tecniche e di sicurezza da adottare per lo scarico dei fumi attenersi strettamente a quanto previsto dai regolamenti delle autorità locali competenti. • L'aria aspirata non deve essere convogliata in un condotto usato per lo scarico dei fumi prodotti da apparecchi a combustione di gas o di altri combustibili. • Non utilizzare o lasciare il prodotto privo di lampade correttamente montate per possibile rischio di scossa elettrica. • Il prodotto non va MAI utilizzato senza griglia correttamente montata. • Il prodotto non va MAI utilizzato come piano di appoggio a meno che non sia espressamente indicato.

• Per la sostituzione della lampada utilizzare solo il tipo lampada indicato nella sezione manutenzione / sistema di illuminazione di questo manuale. • L'impiego di fiamma libera è dannoso ai filtri e può dar luogo ad incendi, pertanto deve essere evitato in ogni caso. • La frittura deve essere fatta sotto controllo onde evitare che l'olio surriscaldato prenda fuoco. • In caso di dubbio, consultare il centro di assistenza autorizzato o personale qualificato similare.

SICUREZZA PER L'INSTALLAZIONE

• Utilizzare le viti di fissaggio in dotazione con il prodotto solo se idonee con la superficie, altrimenti acquistarne del tipo corretto. Verificare che all'interno del prodotto non vi sia (per motivi di trasporto) materiale di corredo (ad esempio buste con viti, garanzie etc.), eventualmente va tolto e conservato. • **AVVERTIMENTO:** La mancata installazione di viti e dispositivi di fissaggio in conformità di queste istruzioni può comportare rischi di natura elettrica. • Il tubo di evacuazione non è fornito e va acquistato. • Il diametro del tubo di scarico deve essere equivalente al diametro dell'anello di connessione. • Per l'installazione del prodotto sul piano cottura attenersi all'altezza indicata nei disegni. • La distanza minima fra la superficie di supporto dei recipienti sul dispositivo di cottura e la parte più bassa della cappa da cucina deve essere non inferiore a 50 cm in caso di cucine elettriche e di 65 cm in caso di cucine a gas o miste. • Se le istruzioni di installazione del dispositivo di cottura a gas specificano una distanza maggiore, bisogna tenerne conto.

SICUREZZA PER IL COLLEGAMENTO ELETTRICO

• La tensione di rete deve corrispondere alla tensione riportata sull'etichetta caratteristica situata all'interno del prodotto. • Se provvisto di spina allacciare il prodotto ad una presa conforme alle norme vigenti posta in zona accessibile

anche dopo l'installazione. • Se sprovvisto di spina (collegamento diretto alla rete) o la spina non è posta in zona accessibile, anche dopo installazione, applicare un interruttore bipolare a norma che assicuri la disconnessione completa della rete nelle condizioni della categoria di sovratensione III, conformemente alle regole di installazione. • Il prodotto è provvisto di un cavo alimentazione speciale; in caso di danneggiamento del cavo, richiederlo al servizio assistenza tecnica.

● **Attenzione!** Prima di ricollegare il circuito all'alimentazione di rete e di verificarne il corretto funzionamento, controllare sempre che il cavo di alimentazione sia stato montato correttamente.

Attenzione! Non utilizzare con un programmatore, timer, telecomando separato o qualsiasi altro dispositivo che si attivi automaticamente.

■ SUGGERIMENTI DI UTILIZZO

Suggerimenti per un corretto utilizzo al fine di ridurre l'impatto ambientale: Quando si inizia a cucinare, accendere l'apparecchio alla velocità minima, lasciandola accesa per alcuni minuti anche dopo il termine della cottura. Aumentare la velocità solo in caso di grandi quantità di fumo e vapore, utilizzando la funzione booster solo in casi estremi. Per mantenere ben efficiente il sistema di riduzione degli odori, sostituire, quando è necessario, il/i filtro/i carbone. Per mantenere ben efficiente il filtro del grasso, pulirlo in caso di necessità. Per ottimizzare l'efficienza e minimizzare i rumori, utilizzare il diametro massimo del sistema di canalizzazione indicato in questo manuale.

■ SMALTIMENTO A FINE VITA



Questo apparecchio è contrassegnato in conformità alla Direttiva Europea 2012/19/EC - UK SI 2013 No.3113, Waste Electrical and Electronic Equipment (WEEE). Assicurandosi che questo prodotto sia smaltito in modo corretto. L'utente contribuisce a prevenire le potenziali conseguenze negative per l'ambiente e la salute.

Il simbolo sul prodotto o sulla documentazione di accompagnamento indica che questo prodotto non deve essere trattato come rifiuto domestico ma deve essere consegnato presso l'idoneo punto di raccolta per il riciclaggio di apparecchiature elettriche ed elettroniche. Disfarsene seguendo le normative locali per lo smaltimento dei rifiuti. Per ulteriori informazioni sul trattamento, recupero e riciclaggio di questo prodotto, contattare l'idoneo ufficio locale, il servizio di raccolta dei rifiuti domestici o il negozio presso il quale il prodotto è stato acquistato.

■ NORMATIVE

Apparecchiatura progettata, testata e realizzata nel rispetto delle norme sulla Sicurezza: EN/IEC 60335-1; EN/IEC 60335-2-31, EN/IEC 62233. Prestazione: EN/IEC 61591; ISO 5167-1; ISO 5167-3; ISO 5168; EN/IEC 60704-1; EN/IEC 60704-2-13; EN/IEC 60704-3; ISO 3741; EN 50564;

IEC 62301. EMC: EN 55014-1; CISPR 14-1; EN 55014-2; CISPR 14-2; EN/IEC 61000-3-2; EN/IEC 61000-3-3.

■ UTILIZZO

Il sistema di aspirazione può essere utilizzato in versione aspirante ad evacuazione esterna o filtrante a ricircolo interno.

● Versione Aspirante:

I vapori vengono evacuati verso l'esterno tramite un tubo di scarico fissato alla flangia di raccordo.

ATTENZIONE! Se il prodotto è provvisto di filtro/i a carbone, questo/i deve/devono essere rimosso/i.

Collegare il prodotto a tubi e fori di scarico a parete con diametro equivalente all'uscita d'aria (flangia di raccordo).

L'utilizzo di tubi e fori di scarico a parete con diametro inferiore determinerà una diminuzione delle prestazioni di aspirazione ed un drastico aumento della rumorosità.

Si declina perciò ogni responsabilità in merito.

- Usare un condotto lungo il minimo indispensabile.
- Usare un condotto con minor numero di curve possibile (angolo massimo della curva: 90°).
- Evitare cambiamenti drastici di sezione del condotto.

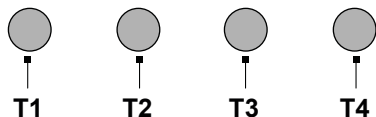
● Versione Filtrante:

L'aria aspirata verrà sgrassata e deodorata prima di essere riconvogliata nella stanza. Per utilizzare il prodotto in questa versione è necessario installare un sistema di filtraggio aggiuntivo a base di carboni attivi.

■ MONTAGGIO PRIMA INSTALLAZIONE

- Verificare che il prodotto acquistato sia di dimensioni idonee alla zona di installazione prescelta.
- Togliere il/i filtro/i al carbone attivo se forniti (vedi anche paragrafo relativo).
- Questo/i va/nno rimontato/i solo se si vuole utilizzare il prodotto in versione filtrante.
- Nel caso della presenza di pannelli e/o pareti e/o pensili laterali, verificare che ci sia spazio sufficiente per installare il prodotto e che sia sempre possibile accedere al pannello comandi con facilità.
- Il prodotto è dotato di tasselli di fissaggio adatti alla maggior parte di pareti/soffitti. È tuttavia necessario interpellare un tecnico qualificato per accertarVi sull'idoneità dei materiali a seconda del tipo di parete/soffitto. La/il parete/soffitto deve essere sufficientemente robusto da sostenere il peso della cappa.


■ FUNZIONAMENTO



- T1. Interruttore luce ON/OFF.
T2. Interruttore OFF/velocità 1
T3. Selezione velocità 2
T4. Selezione velocità 3

■ AVVERTENZE DI MANUTENZIONE

- **Pulizia:** Per la pulizia usare esclusivamente un panno inumidito con detersivi liquidi neutri. Non utilizzare utensili o strumenti per la pulizia.
- Evitare l'uso di prodotti contenenti abrasivi. **NON UTILIZZARE ALCOOL!**

 Per la manutenzione del prodotto vedere le immagini a fine installazione contrassegnate con questo simbolo.

• **✂A Filtro Antigrasso:** Il filtro antigrasso metallico deve essere pulito una volta al mese con detergenti non aggressivi, manualmente oppure in lavastoviglie a basse temperature ed a ciclo breve. Per smontare il filtro grassi tirare la maniglia di sgancio a molla.

• Il Filtro antigrasso trattiene le particelle di grasso derivanti dalla cottura. Con il lavaggio in lavastoviglie il filtro antigrasso metallico può scolorirsi ma le sue caratteristiche di filtraggio non cambiano assolutamente.

• **✂B Filtro carbone (solo per versione filtrante):** È necessario sostituire la cartuccia al massimo ogni quattro mesi. **NON** può essere lavato o rigenerato. Come indicato nella sezione disegni: togliere i filtri antigrasso, applicare un filtro al carbone per lato ed agganciarlo al prodotto. Rimettere i filtri antigrasso.

• Il filtro carbone trattiene gli odori sgradevoli derivanti dalla cottura. • La saturazione del filtro carbone si verifica dopo un uso più o meno prolungato a seconda del tipo di cucina e della regolarità della pulizia del filtro grassi.

■ Illuminazione

• Il sistema di illuminazione è basato sulla tecnologia LED. I LED garantiscono una illuminazione ottimale, con una durata fino a 10 volte maggiore delle lampade tradizionali e consentono di risparmiare il 90% di energia elettrica.

• **Sistema di Illuminazione :** Il sistema di illuminazione non è sostituibile dall'utente, in caso di malfunzionamenti contattare il servizio assistenza.

EN


The product is designed for the extraction of cooking fumes and steam and it is for domestic use only.

Strictly observe the instructions in this manual. No liability shall be accepted for any inconvenience, damage or fire caused to the product as a result of not following the instructions given in this manual.

The device may have different aesthetic features with respect to the illustrations in this handbook, however the operating, maintenance and installation instructions remain the same.

- It is important to keep all the manuals accompanying the product so that they can be consulted at all times. If sold, transferred or moved, make sure it remains with the product.
- Read the instructions carefully: they contain important information on installation, operation and safety.
- Check the integrity of the product prior to its installation. Otherwise, contact the dealer and do not continue with the installation.

■ NOTES

: the parts marked with this symbol can be purchased separately from specialised dealers.

*: the parts marked with this symbol are optional accessories supplied only with some models and can be purchased from the websites www.elica.com and www.shop.elica.com.

■ SAFETY AND REGULATIONS

⚠ GENERAL SAFETY

•Do not make electrical or mechanical changes on the product or on the exhaust pipes. •Before doing any cleaning or maintenance work, disconnect the product from the mains power supply by removing the plug or turning off the mains switch. •For all installation and maintenance operations, always wear work gloves. •The product can be used by children over the age of 8 and by people with reduced physical, sensory or mental capabilities or without experience or the necessary knowledge, as long as they are properly supervised or have been instructed on how to safely use the device and understand the inherent dangers. •Children must be supervised to make sure that they do not play with the product. •Cleaning and maintenance must never be performed by children unless they are properly supervised. •The room must have sufficient ventilation when the product is used at the same time as other appliances burning gas or other fuels. •The product must be cleaned frequently both inside and out (AT LEAST ONCE A MONTH); always follow the instructions given in the maintenance manual. •Failure to comply with the rules indicated for cleaning the product and replacing/cleaning the filters may result in the risk of fire. •It is strictly forbidden to cook food on the flame under the product. •WARNING:

•When the hob is on, the accessible parts of the product may become hot. •Do not connect the product to the electrical power supply until the installation is complete. •The regulations laid down by local authorities must be strictly followed with regard to the technical and safety measures to adopt for fume extraction. •The extracted air must not be conveyed through the same ducts used to extract the fumes generated by gas combustion or other types of combustion products. •Do not use or leave the product without appropriately installed lamps, as this may result in the risk of electric shock. •The product must NEVER be used without the grille correctly fitted. •The product must NEVER be used as a support surface unless expressly indicated.

● Range hoods and other cooking fume extractors may adversely affect the safe operation of appliances burning gas or other fuels (including those in other rooms) due to back flow of combustion gases. These gases can potentially result in carbon monoxide poisoning. After installation of a range hood or other cooking fume extractor, the operation of flued gas appliances should be tested by a competent person to ensure that back flow of combustion gases does not occur.

• To replace the lamp, only use the lamp indicated in the maintenance/lighting system section of this manual. • Using a naked flame may damage the filters and cause a fire hazard, and must therefore be avoided under all circumstances. • Extra care must be taken when frying to prevent the oil from overheating and catching fire. • In case of doubt, contact the authorised service centre or similar qualified personnel.

INSTALLATION SAFETY

•Use the fixing screws supplied with the product only if suitable for the surface; otherwise purchase the correct type of screws. •Check for accessories (e.g. bags containing screws, warranty certificates, etc.) inside the product (placed there for transport reasons). If there are any, remove them and keep them safe. •WARNING: Failure to install screws and fasteners in accordance with these instructions may result in electrical hazards. •The exhaust pipe is not supplied and must be purchased. •The diameter of the exhaust pipe must be equivalent to the diameter of the connecting ring. •For installation of the product on the hob, respect the height indicated in the drawings •The minimum distance between the surface of the container supports on the cooker and the lowest part of the range hood must not be less than 50 cm (not less than 50 cm only for Australia and New Zealand) for electric cookers and 65 cm for gas or mixed cookers. •If the installation instructions of the gas cooker specify a greater distance, take it into account.

ELECTRICAL CONNECTION SAFETY

•The mains voltage must correspond to the voltage indicated on the label found inside the product. •If it features a plug, connect the product to a socket that complies with current standards, located in an area accessible even after installation. •If it does not feature a plug (direct connection to the mains) or the plug is not located in an accessible area, even after installation, apply a standard double pole switch that ensures complete disconnection from the mains in category III overvoltage conditions, in accordance with the installation rules. •The product features a special power cable; if the cable is damaged, contact the Service Centre for a replacement.


● **Please note!** Before reconnecting the circuit to the mains power supply and making sure that it is working correctly, always check that the power cable is correctly installed.

Please note! Do not use with a programmer, timer, separate remote control or any other device that activates automatically.

■ RECOMMENDATIONS FOR USE

Recommendations for correct use in order to reduce the impact on the environment: When cooking begins, the device should be turned on at minimum speed, and left on for a few minutes even after cooking is complete. Increase the speed only if there is a large quantity of fumes and steam, using the Booster function only in extreme cases. To keep the odour reduction system running efficiently, replace the carbon filter/s when necessary. To ensure the high performance of the grease filter, clean it when necessary. To improve efficiency and minimise noise, use the maximum duct diameter indicated in this manual.

■ END-OF-LIFE DISPOSAL


This device is marked in compliance with the European Directive 2012/19/EC - UK SI 2013 No.3113, Waste Electrical and Electronic Equipment (WEEE). Make sure that this product is disposed of correctly. The user helps prevent potential negative consequences for the environment and for health.

The symbol on the product or accompanying documentation indicates that this product should not be treated as household waste but should be handed over at a suitable collection point for the recycling of electrical and electronic equipment. Dispose of it in accordance with local regulations for waste disposal. For further information about the treatment, recovery and recycling of this product, please contact your local authority, the collection service for household waste or the shop from where the product was purchased.

■ REGULATIONS

Equipment designed, tested and manufactured in compliance with safety regulations: EN/IEC 60335-1; EN/IEC 60335-2- 31, EN/IEC 62233. Performance: EN/IEC

61591; ISO 5167-1; ISO 5167-3; ISO 5168; EN/IEC 60704-1; EN/IEC 60704-2-13; EN/IEC 60704-3; ISO 3741; EN 50564; IEC 62301. EMC: EN 55014-1; CISPR 14-1; EN 55014-2; CISPR 14-2; EN/IEC 61000-3-2; EN/IEC 61000-3-3.

■ USE

The extraction system can be used in the duct-out version with external evacuation, or in the recirculating version with filtering and internal recirculation.

● Duct-Out Version:

Vapours are evacuated outside through an exhaust pipe attached to the connecting flange.

CAUTION! If the product features one or more carbon filters, they must be removed.

Connect the product to wall-mounted exhaust pipes and holes with a diameter equivalent to the air outlet (connecting flange).

The use of pipes and outlet holes in the wall with a smaller diameter will reduce the extraction performance and drastically increase the noise level.

All responsibility in this regard is therefore denied.

- Use a ducting pipe with the shortest length necessary.
- Use a ducting pipe with the least number of bends possible (maximum bend angle: 90°).
- Avoid drastic changes in the ducting pipe diameter.

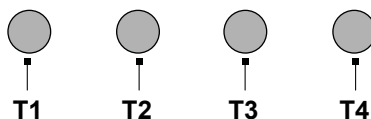
● Recirculating Version:

The suctioned air will be degreased and deodorised before it is sent back into the room. To use the product in this version, it is necessary to install an additional activated carbon filter system.

■ ASSEMBLY BEFORE INSTALLATION

- Check that the product is the right size for the installation area.
- Remove the activated carbon filter(s) if supplied (see also relevant paragraph).
- It(they) must be reinstalled if the product is used in the filter version.
- If there are panels and/or walls and/or wall units on the sides, make sure that there is enough space to install the product and that it is always possible to access the control panel easily.
- The product is equipped with fixing plugs suitable for most walls/ceilings. However, it is necessary to consult a qualified technician to make sure that the materials are suitable for the type of wall/ceiling. The wall/ceiling must be strong enough to support the weight of the hood.

■ OPERATION



T1. ON/OFF light switch

T2. Speed 1/OFF switch

T3. 2-speed selection


T4. 3-speed selection

■ MAINTENANCE WARNINGS

- **Cleaning:** For cleaning, simply use a cloth moistened with neutral liquid detergents. Do not use cleaning tools or instruments.
- Avoid the use of abrasive products. **DO NOT USE ALCOHOL!**



For product maintenance, see the images at the end of the installation marked by this symbol.

●  **Anti-Grease Filter:** The metallic anti-grease filter must be cleaned once a month with non-aggressive detergents, manually or in a dishwasher on a short wash at low temperatures. To remove the anti-grease filter, pull the spring release handle.

• The Anti-Grease Filter traps the grease particles produced during cooking. When cleaned in the dishwasher, the metal grease filter may discolour, but its filtering characteristics remain unchanged.

●  **Carbon filter (for filter version only):** The cartridge must be replaced at least every four months. It CANNOT be washed or regenerated. As indicated in the drawings section: remove the anti-grease filters, apply a carbon filter on each side and attach it to the product. Put the anti-grease filters back in place.

• The carbon filter retains any unpleasant odours produced during cooking. • The saturation of the carbon filter can occur after somewhat prolonged use depending on the type of cooking and how regularly the grease filter is cleaned.

■ Illumination

• The lighting system is based on LED technology. LEDs provide optimal illumination, last up to 10 times longer than conventional lamps and save 90% of electricity.

● **Lighting system :** The lighting system cannot be replaced by the user, contact Customer Service in case of malfunction.

DE

Das Produkt ist für die Absaugung von Kochdämpfen konzipiert und nur für den Hausgebrauch bestimmt.

Die in diesem Handbuch aufgeführten Anleitungen müssen streng eingehalten werden. Es wird keine

Haftung für eventuelle Unannehmlichkeiten, Schäden oder Brände am Produkt übernommen, die durch die Nichtbeachtung der in diesem Handbuch angeführten Anleitungen entstehen.

Das Gerät kann von den Zeichnungen in dieser Broschüre abweichen, die Gebrauchs-, Wartungs- und Installationsanweisungen bleiben jedoch unverändert.

• Es ist wichtig, alle dem Produkt beiliegenden Handbücher aufzubewahren, damit sie zu jedem Zeitpunkt eingesehen werden können. Im Falle von Verkauf, Weitergabe oder Umzug ist sicherzustellen, dass sie beim Produkt verbleiben. • Lesen Sie die Anleitungen aufmerksam durch: Sie enthalten wichtige Informationen zu Installation, Gebrauch und Sicherheit. • Prüfen Sie die Unversehrtheit des Produkts, bevor Sie mit der Installation fortfahren. Nehmen Sie anderenfalls Kontakt mit dem Händler auf und fahren Sie nicht mit der Installation fort.

■ HINWEISE

: die mit diesem Symbol gekennzeichneten Teile können separat im Fachhandel erworben werden.

*: die mit diesem Symbol gekennzeichneten Teile sind optionales Zubehör, das nur bei einigen Modellen geliefert wird und auf den Websites www.elica.com und www.shop.elica.com erworben werden kann.

■ SICHERHEIT UND RICHTLINIEN

ALLGEMEINE SICHERHEIT

•Nehmen Sie keine elektrischen oder mechanischen Änderungen am Produkt oder an den Abluftrohren vor.
•Trennen Sie das Produkt vor jeder Reinigung oder Wartung von der Stromversorgung, indem Sie den Stecker ziehen oder den Hauptschalter der Wohnung betätigen.
•Verwenden Sie bei allen Installations- und Wartungsarbeiten Arbeitshandschuhe. • Das Produkt darf von Kindern ab dem Alter von 8 Jahren und von Personen mit eingeschränkten körperlichen, sensorischen oder geistigen Fähigkeiten oder ohne Erfahrung oder notwendige Kenntnisse benutzt werden, wenn sie beaufsichtigt werden oder vorher Anweisungen zur sicheren Verwendung des Produkts und zum Verständnis der damit verbundenen Gefahren erhalten haben. • Kinder müssen beaufsichtigt werden, um sicherzustellen, dass sie nicht mit dem Produkt spielen. • Die Reinigung und Wartung darf nicht von Kindern ohne Aufsicht ausgeführt werden.
•Der Raum muss über eine ausreichende Belüftung verfügen, wenn das Produkt gleichzeitig mit anderen Geräten, die Gas oder andere Brennstoffe verbrennen, verwendet wird. •Das Produkt muss regelmäßig (MINDESTENS EINMAL PRO MONAT) innen und außen gereinigt werden; beachten Sie in jedem Fall die Wartungsanweisungen. •Wenn Sie das Produkt nicht reinigen und die Filter nicht austauschen / reinigen, kann

dies zu Brandgefahr führen. • Es ist strengstens untersagt, unter dem Produkt zu flambieren. • ACHTUNG: Wenn das Kochfeld in Betrieb ist, können zugängliche Teile des Produkts heiß werden. • Schließen Sie das Produkt erst dann an das Stromnetz an, wenn die Installation vollständig abgeschlossen ist. • Hinsichtlich der technischen und sicherheitstechnischen Maßnahmen zur Ableitung der Dämpfe sind die Vorschriften der zuständigen örtlichen Behörden strikt einzuhalten. • Die angesaugte Luft darf nicht in einen Kanal geleitet werden, der für die Abführung der Rauchgase von Geräten, die mit Gas oder anderen Brennstoffen betrieben werden, verwendet wird. • Verwenden Sie das Produkt nicht ohne ordnungsgemäß montierte Lampen, da Stromschlaggefahr besteht. • Das Produkt darf NIEMALS ohne korrekt montiertes Gitter verwendet werden. • Das Produkt darf NIEMALS als Auflagefläche verwendet werden, es sei denn, dies ist ausdrücklich angegeben.

• Verwenden Sie für den Austausch der Lampe nur den im Abschnitt Wartung/Beleuchtungssystem dieses Handbuchs angegebenen Lampentyp. • Der Einsatz der freien Flamme ist für die Filter schädlich und kann zu Bränden führen, es muss daher in jedem Fall vermieden werden. • Das Frittieren muss unter Kontrolle durchgeführt werden, um zu verhindern, dass sich überhitztes Öl entzündet. • Wenden Sie sich im Zweifelsfall an ein autorisiertes Kundendienstzentrum oder an ähnlich qualifiziertes Personal.

SICHERHEIT BEI DER INSTALLATION

• Verwenden Sie die mit dem Produkt gelieferten Befestigungsschrauben nur, wenn sie für die Oberfläche geeignet sind; andernfalls kaufen Sie den richtigen Typ. Stellen Sie sicher, dass sich in der Verpackung kein mitgeliefertes Material (wie z.B. Beutel mit Schrauben, Garantieblätter usw.) (aus Beförderungsgründen) befindet. Evtl. ist dieses herauszunehmen und aufzubewahren. • HINWEIS: Wenn die Schrauben und die Befestigungsvorrichtungen nicht gemäß diesen Anleitungen installiert werden, kann es zu elektrischen Risiken kommen. • Das Abluftrohr wird nicht mitgeliefert und muss gekauft werden. • Der Durchmesser des Abluftrohrs muss dem Durchmesser des Anschlussrings entsprechen. • Beachten Sie bei der Installation des Produkts auf dem Kochfeld die in den Zeichnungen angegebene Höhe • Der Mindestabstand zwischen der Auflagefläche der Behälter auf dem Kochgerät und dem untersten Teil der Dunstabzugshaube muss bei Elektroherden 50 cm und bei Gas- oder Mischherden 65 cm sein. • Wenn in der Installationsanleitung des Gasherdes ein größerer Abstand angegeben ist, muss dieser berücksichtigt werden. • Bei gleichzeitigem Betrieb der Dunstabzugshaube im Abluftbetrieb und Feuerstätten muss sicher gestellt sein, dass während des Betriebes der Feuerstätte kein gefährlicher Unterdruck, der größer als 4 Pa (4 × 10⁻⁵ bar) ist, im Aufstellraum entstehen kann.

SICHERHEIT BEIM ELEKTRISCHEN ANSCHLUSS

• Die Netzspannung muss der auf dem Typenschild im Inneren des Produkts angegebenen Spannung entsprechen. • Wenn das Produkt mit einem Stecker ausgestattet ist, schließen Sie es an eine Steckdose an, die den geltenden Normen entspricht und sich auch nach der Installation in einem zugänglichen Bereich befindet. • Wenn kein Stecker vorhanden ist (direkter Anschluss an das Stromnetz) oder der Stecker sich auch nach der Installation nicht in einem zugänglichen Bereich befindet, verwenden Sie einen zweipoligen Standard-Schalter, der unter den Bedingungen der Überspannungskategorie III eine vollständige Trennung vom Stromnetz gewährleistet, entsprechend den Installationsvorschriften. • Das Produkt ist mit einem speziellen Stromkabel ausgestattet; wenn das Kabel beschädigt ist, fordern Sie es beim technischen Kundendienst an.

● **Achtung!** Bevor man den Stromkreis wieder an das Stromnetz anschließt und seinen ordnungsgemäßen Betrieb überprüft, sich immer vergewissern, dass das Netzkabel ordnungsgemäß montiert wurde.

Achtung! Nicht mit getrenntem Programmierer, Timer, Fernbedienung oder jeglicher anderer Vorrichtung, die sich automatisch aktiviert, verwenden.

■ EMPFEHLUNGEN FÜR DIE VERWENDUNG

Vorschläge für die korrekte Anwendung zur Verringerung der Umweltbelastung: Wenn Sie mit dem Kochen beginnen, schalten Sie das Gerät mit minimaler Geschwindigkeit ein und lassen Sie es auch nach dem Ende des Kochvorgangs noch einige Minuten eingeschaltet. Erhöhen Sie die Geschwindigkeit nur bei großen Mengen an Rauch und Dampf, wobei die Booster-Funktion nur in Extremfällen verwendet wird. Um die Effizienz des Geruchsminderungssystems aufrechtzuerhalten, sollten Sie den/die Kohlefilter bei Bedarf austauschen. Um den Fettfilter effizient zu halten, reinigen Sie ihn bei Bedarf. Um die Effizienz zu optimieren und den Lärm zu minimieren, verwenden Sie den in diesem Handbuch angegebenen maximalen Durchmesser des Kanalsystems.

■ ENTSORGUNG AM ENDE DER LEBENSDAUER

Dieses Gerät ist in Übereinstimmung mit der europäischen Richtlinie 2012/19/EU - UK SI 2013 No.3113, Waste Electrical and Electronic Equipment (WEEE) - gekennzeichnet worden. Stellen Sie sicher, dass dieses Produkt ordnungsgemäß entsorgt wird. Der Benutzer trägt dazu bei, mögliche negative Umwelt- und Gesundheitsfolgen zu vermeiden.



Das Symbol auf dem Produkt oder auf der Begleitdokumentation weist darauf hin, dass dieses

Produkt nicht als Hausmüll behandelt werden darf, sondern bei der entsprechenden Sammelstelle für das Recycling von Elektro- und Elektronik-Altgeräten abgegeben werden muss. Das Produkt gemäß den lokalen Vorschriften zur Abfallentsorgung beseitigen. Weitere Informationen zur Behandlung, Wiederverwertung und zum Recycling dieses Produkts erhalten Sie von der zuständigen örtlichen Behörde, dem Hausmüllentsorgungsdienst oder dem Geschäft, in dem das Produkt gekauft wurde.

■ BESTIMMUNGEN

Geräte, die gemäß den folgenden Sicherheitsnormen entwickelt, getestet und hergestellt wurden: EN/IEC 60335-1; EN/IEC 60335-2-31, EN/IEC 62233. Leistung: EN/IEC 61591; ISO 5167-1; ISO 5167-3; ISO 5168; EN/IEC 60704-1; EN/IEC 60704-2-13; EN/IEC 60704-3; ISO 3741; EN 50564; IEC 62301. EMC: EN 55014-1; CISPR 14-1; EN 55014-2; CISPR 14-2; EN/IEC 61000-3-2; EN/IEC 61000-3-3.

■ VERWENDUNG

Das Absaugsystem kann in der Absaugversion mit externer Abführung oder internem Umwälzfilter eingesetzt werden.

● Version mit Absaugung:

Die Dämpfe werden über ein am Anschlussflansch befestigtes Abluftrohr nach außen abgeführt.

ACHTUNG! Wenn das Produkt mit Kohlefilter/n ausgestattet ist, muss/ müssen diese/r entfernt werden.

Das Produkt an Rohre und Austrittsöffnungen anschließen, die über einen Durchmesser verfügen, der dem Luftauslass (Anschlussflansch) entspricht.

Die Verwendung von Rohren und Austrittsöffnungen an der Wand mit einem geringeren Durchmesser führt zu einer Verringerung der Absaugleistungen und einem deutlichen Anstieg der Geräusentwicklung.

Aus diesem Grund ist diesbezüglich jede Haftung ausgeschlossen.

- Verwenden Sie eine möglichst kurze Rohrleitung.
- Verwenden Sie eine Rohrleitung mit möglichst wenigen Biegungen (maximaler Biegewinkel: 90°).
- Vermeiden Sie drastische Änderungen des Leitungsquerschnitts.

● Version mit Filter:

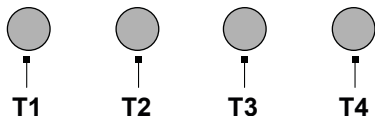
Die angesaugte Luft wird entfettet und desodoriert, bevor sie in den Raum zurückgeführt wird. Um das Produkt in dieser Version zu verwenden, ist es notwendig, ein zusätzliches Aktivkohlefiltersystem zu installieren.

■ MONTAGE ERSTINSTALLATION

- Prüfen, dass die Produktabmessungen für den gewählten Installationsbereich geeignet sind.
- Den/die Aktivkohlefilter, falls mitgeliefert, entfernen (siehe auch den entsprechenden Absatz).

- Diese/r dürfen nur wieder montiert werden, wenn man beabsichtigt, das Produkt in der filternden Version zu verwenden.
- Im Falle von Verkleidungen und/oder Wänden und/oder Hängeschränken ist darauf zu achten, dass genügend Platz für die Installation des Produkts vorhanden ist und dass das Bedienfeld jederzeit leicht zugänglich ist.
- Das Produkt ist mit Befestigungsübeln ausgestattet, die für die meisten Wände/Decken geeignet sind. Es muss jedoch ein qualifizierter Techniker hinzugezogen werden, um die Eignung der Materialien je nach Art der Wand/Decke sicherzustellen. Die Wand/Decke muss stabil genug sein, um das Gewicht der Haube zu tragen.

■ FUNKTIONSWEISE



- T1. Lichtschalter ON/OFF.
 T2. Schalter OFF/Geschwindigkeit 1.
 T3. Geschwindigkeitsauswahl 2.
 T4. Geschwindigkeitsauswahl 3.

■ WARNHINWEISE ZUR WARTUNG

- **Reinigung:** Verwenden Sie zur Reinigung nur ein mit neutralen, flüssigen Reinigungsmitteln angefeuchtetes Tuch. Verwenden Sie keine Werkzeuge oder Instrumente zur Reinigung.
- Vermeiden Sie die Verwendung von Produkte mit Abrasiven. KEINEN ALKOHOL VERWENDEN!



Zur Wartung des Produkts siehe die Bilder am Ende der Installationsanleitung mit diesem Symbol.

- **✂️ Fettfilter:** Der Metall-Fettfilter muss einmal pro Monat mit einem nicht aggressiven Reinigungsmittel von Hand oder in der Spülmaschine bei niedrigen Temperaturen und kurzem Reinigungszyklus gereinigt werden. Um den Fettfilter zu entfernen, ziehen Sie am federbelasteten Entriegelungsgriff.
- Der Fettfilter hält Fettpartikel zurück, die beim Kochen entstehen. Beim Reinigen in der Spülmaschine kann sich der Metallfettfilter verfärben, wobei seine Filtereigenschaften in keiner Weise beeinträchtigt werden.

- **✂️ Kohlefilter (nur für filternde Version):** Die Kartusche muss mindestens alle vier Monate ausgetauscht werden. Sie kann NICHT gereinigt oder wiederaufbereitet werden. Wie im Abschnitt "Zeichnungen" angegeben: Entfernen Sie die Fettfilter, setzen Sie einen Kohlefilter pro Seite ein und befestigen Sie ihn am Produkt. Die Fettfilter wieder einsetzen.

- Der Kohlefilter hält unangenehme Gerüche zurück, die beim Kochen entstehen.
- Die Sättigung des Kohlefilters tritt nach mehr oder weniger langem Gebrauch ein, je nach Art des Kochens und je nachdem, wie regelmäßig der Fettfilter gereinigt wird.

Beleuchtung

- Das Beleuchtungssystem basiert auf der LED-Technologie. Die LEDs gewährleisten eine optimale Beleuchtung, halten bis zu 10 Mal länger als herkömmliche Lampen und sparen 90 % an elektrischer Energie.

- **Beleuchtungssystem :** Das Beleuchtungssystem kann nicht vom Anwender ausgetauscht werden, wenden Sie sich bitte bei Betriebsstörungen an den Kundendienst.

FR

Le produit est conçu pour l'aspiration des fumées et des vapeurs de cuisson et est destiné au seul usage domestique.

Suivre de près les instructions reportées dans ce manuel. Nous déclinons toute responsabilité face à tout inconvénient, dommage ou incendie causé au produit en raison du non-respect des instructions de ce manuel.

L'appareil peut avoir un aspect différent par rapport au dessin de cette notice mais les instructions pour l'utilisation, l'entretien et l'installation restent les mêmes.

- Il est important de conserver tous les manuels accompagnant le produit afin qu'ils puissent être consultés à tout moment. En cas de vente, de cession ou de transfert, s'assurer qu'ils restent avec le produit.
- Lire attentivement les instructions : elles contiennent des informations essentielles sur l'installation, l'utilisation et la sécurité.
- Vérifier l'intégrité du produit avant de procéder à l'installation. Sinon, contacter le revendeur et ne pas continuer l'installation.

■ REMARQUES



les pièces marquées de ce symbole peuvent être achetées séparément chez des revendeurs spécialisés.



les pièces marquées de ce symbole sont des accessoires en option uniquement fournis sur certains modèles et peuvent être achetés sur les sites www.elica.com et www.shop.elica.com.

■ SÉCURITÉ ET RÈGLEMENTATIONS



△ SÉCURITÉ GÉNÉRALE

- Ne pas effectuer de variations électriques ou mécaniques sur le produit ou sur les conduits d'évacuation.
- Avant toute opération de nettoyage ou d'entretien, débrancher le produit du secteur électrique en enlevant la fiche ou à travers le disjoncteur général du logement.
- Utiliser des

gants de travail pour toutes les opérations d'installation et d'entretien. • Le produit peut être utilisé par des enfants âgés d'au moins 8 ans et par des personnes ayant des capacités physiques, sensorielles ou mentales réduites ou sans expérience ou sans les connaissances nécessaires, à condition qu'ils soient surveillés ou après que ces personnes aient reçu des instructions relatives à l'usage sûr de l'appareil et à la compréhension des dangers afférents. • Les enfants doivent être contrôlés afin qu'ils ne jouent pas avec le produit. • Le nettoyage et l'entretien ne doivent pas être effectués par des enfants sans surveillance. • Le local doit disposer d'une ventilation suffisante lorsque le produit est utilisé en même temps que d'autres appareils à combustion de gaz ou autres combustibles. • Le produit doit être fréquemment nettoyé, à l'intérieur comme à l'extérieur (AU MOINS UNE FOIS PAR MOIS) ; respecter dans tous les cas les indications présentes dans les instructions d'entretien. • Le non-respect des normes de nettoyage du produit et du remplacement/nettoyage des filtres comporte des risques d'incendie. • Il est strictement interdit de faire flamber des aliments sous le produit. • ATTENTION : Lorsque la plaque de cuisson est en marche, les parties accessibles du produit peuvent devenir chaudes. • Ne pas brancher le produit au secteur électrique tant que l'installation n'est pas totalement terminée. • Concernant les mesures techniques et de sécurité à prendre pour l'évacuation des fumées, respecter scrupuleusement les réglementations établies par les autorités locales compétentes. • L'air aspiré ne doit pas être conduit vers le tube destiné à l'évacuation des fumées des appareils à combustion à gaz ou autres combustibles. • Ne pas utiliser ni laisser le produit sans que les ampoules ne soient correctement montées en raison du risque possible de décharge électrique. • Le produit ne doit JAMAIS être utilisé sans la grille correctement montée. • Le produit ne doit JAMAIS être utilisé comme plan à moins que cela ne soit explicitement indiqué.

• Pour le remplacement de la lampe, utiliser uniquement le type de lampe indiqué dans la section maintenance/système d'éclairage de ce manuel. • L'utilisation d'une flamme nue peut endommager les filtres et provoquer des incendies et doit donc être évitée. • La friture doit être surveillée afin d'éviter que l'huile ne prenne feu. • En cas de doute, consulter le centre de service agréé ou un personnel qualifié similaire.

SÉCURITÉ POUR L'INSTALLATION

• Utiliser le vis de fixation fournies avec le produit uniquement si elles sont adaptées à la surface, sinon, acheter les vis adéquates. Vérifier qu'aucun matériel accessoire (comme des sachets avec des vis, garanties, etc.) ne se trouve à l'intérieur de l'emballage (pour des raisons de transport) : il doit être enlevé et conservé. • AVERTISSEMENT : La non-installation de vis et fixations conformément à ces instructions peut comporter des risques électriques. • Le tube d'évacuation n'est pas fourni

et doit être acheté. • Le diamètre du tube d'évacuation doit être identique au diamètre de l'anneau de raccordement. • Pour l'installation du produit au dessus d'une plaque de cuisson, respecter la hauteur indiquée sur les dessins • La distance minimale entre la surface du support des récipients sur le dispositif de cuisson et la partie la plus basse de la hotte ne doit pas être inférieure à 50 cm pour les cuisines électriques et de 65 cm pour les cuisines à gaz ou mixtes. • Si les instructions d'installation du dispositif de cuisson à gaz spécifient une distance plus importante, il faut en tenir compte.

SÉCURITÉ POUR LE RACCORDEMENT ÉLECTRIQUE

• La tension du réseau doit correspondre à la tension figurant sur l'étiquette des caractéristiques située à l'intérieur du produit. • Si une fiche est présente, brancher le produit à une prise conforme aux normes en vigueur et placée à un endroit accessible même après l'installation. • Si l'appareil n'est pas doté de fiche (raccordement direct au secteur) ou si la fiche n'est pas placée dans un endroit accessible même après l'installation, appliquer un interrupteur bipolaire conforme qui assure la déconnexion complète du secteur dans les conditions de la catégorie de surtension III, conformément aux règles d'installation. • Le produit est doté d'un câble d'alimentation spécial ; en cas d'endommagement, le demander au service d'assistance technique.

• **Attention !** Avant de rebrancher le circuit au secteur électrique et d'en vérifier le fonctionnement correct, toujours contrôler que le câble ait été correctement monté.

Attention ! Ne pas utiliser avec un programmeur, une minuterie, une télécommande séparée ou tout autre appareil qui s'active automatiquement.

■ SUGGESTIONS D'UTILISATION

Conseils pour une utilisation correcte et destinée à réduire l'impact environnemental : Pour commencer à cuisiner, allumer l'appareil à la vitesse minimale et la laisser allumer quelques minutes, même après la fin de la cuisson. Augmenter la vitesse seulement en cas de grosses quantités de fumée et de vapeur en utilisant la fonction booster uniquement pour les cas extrêmes. Pour préserver l'efficacité du système de réduction des odeurs, remplacer le(s) filtre(s) à charbon. Nettoyer le filtre à graisse régulièrement pour en préserver l'efficacité. Pour optimiser l'efficacité et minimiser les bruits, utiliser le diamètre maximal du système de canalisation indiqué dans ce manuel.

■ ÉLIMINATION EN FIN DE VIE



Cet appareil est marqué conformément à la Directive Européenne 2012/19/CE - UK SI 2013 No.3113, Déchets d'équipements électriques et électroniques (DEEE). S'assurer que ce produit est correctement éliminé. L'utilisateur contribue à prévenir les possibles conséquences négatives pour l'environnement et la santé.

Le symbole présent sur le produit ou sur la documentation qui l'accompagne indique qu'il ne doit pas être traité comme déchet ménager mais être apporté à un point de collecte pour le recyclage d'équipements électriques et électroniques. L'éliminer conformément aux réglementations locales d'élimination des déchets. Pour plus d'informations sur le traitement, la récupération et le recyclage de ce produit, contacter les autorités locales, le service de collecte des déchets ménagers ou le magasin où le produit a été acheté.



FR Concerne la France uniquement :



FR

Cet appareil, ses accessoires et cordons se recyclent



REPRISE À LA LIVRAISON



À DÉPOSER EN MAGASIN



À DÉPOSER EN DÉCHÈTERIE

Points de collecte sur www.quefairede mesdechets.fr
Privilégiez la réparation ou le don de votre appareil !

■ NORMES

Équipement conçu, testé et réalisé dans le respect des normes sur la Sécurité : EN/CEI 60335-1 ; EN/CEI 60335-2-31, EN/CEI 62233. Performance : EN/CEI 61591 ; ISO 5167-1 ; ISO 5167-3 ; ISO 5168 ; EN/CEI 60704-1 ; EN/CEI 60704-2-13 ; EN/CEI 60704-3 ; ISO 3741 ; EN 50564 ; CEI 62301. CEM : EN 55014-1 ; CISPR 14-1 ; EN 55014-2 ; CISPR 14-2 ; EN/CEI 61000-3-2 ; EN/CEI 61000-3-3.

■ UTILISATION

Le système d'extraction peut être utilisé en version aspirante à évacuation externe ou filtrante à recyclage interne.

● Version Aspirante :

Les vapeurs sont évacuées vers l'extérieur par un tuyau d'échappement fixé sur la bride de raccord.

ATTENTION ! Si le produit est équipé d'un ou de plusieurs filtres à charbon, ceux-ci doivent être retirés.

Raccorder le produit aux tuyaux et aux orifices d'évacuation murale du même diamètre que celui de la sortie d'air (bride de raccord).

L'utilisation des tuyaux et des orifices d'évacuation d'un

diamètre inférieur diminuera l'efficacité de l'extraction et augmentera considérablement le bruit.

Nous déclinons, dans ce cas, toute responsabilité.

• La longueur du conduit doit être celle strictement indispensable.

• Utiliser un conduit avec le moins de coudes possible (angle maximal du coude : 90°).

• Éviter de changer drastiquement la section du conduit.

● Version Filtrante :

L'air aspiré sera dégraissé et désodorisé avant d'être renvoyé dans la pièce. Pour utiliser le produit dans cette version, il est nécessaire d'installer un système supplémentaire de filtre à charbon actif.

■ MONTAGE PREMIÈRE INSTALLATION

• Vérifier que le taille du produit acheté est adaptée à la zone d'installation choisie.

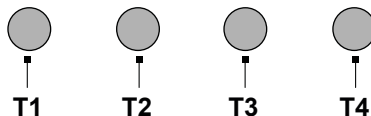
• Retirer le ou les filtres à charbon actif s'ils sont fournis (voir également la section correspondante).

• Les filtres ne doivent être remis en place que si le produit doit être utilisé dans sa version filtrante.

• Dans le cas de présence de panneaux et/ou de parois et/ou de placards latéraux, vérifier que l'espace est suffisant pour installer le produit et qu'il est toujours possible d'accéder facilement au panneau de commande.

• Le produit est équipé de fiches de fixation adaptées à la plupart des murs/plafonds. Toutefois, un technicien qualifié doit être consulté pour vérifier l'adéquation des matériaux en fonction du type de mur/plafond. Le mur/plafond doit être suffisamment solide pour supporter le poids de la hotte.

■ FONCTIONNEMENT



T1. Interrupteur lumières ON/OFF.

T2. Interrupteur OFF/vitesse 1

T3. Sélection vitesse 2

T4. Sélection vitesse 3

■ CONSIGNES D'ENTRETIEN

• **Nettoyage** : Pour le nettoyage, utiliser exclusivement un chiffon imbibé de nettoyant liquide neutre. Ne pas utiliser d'ustensiles ni d'instruments de nettoyage.

• Éviter l'usage de produits à base d'agents abrasifs. NE PAS UTILISER D'ALCOOL !



Pour l'entretien du produit, voir les images à la fin de l'installation marquées de ce symbole.

• **XA** **Filtre à graisse** : Le filtre à graisse métallique doit être nettoyé une fois par mois avec des nettoyeurs non agressifs, manuellement ou au lave-vaisselle à basse température et avec un cycle court. Pour démonter le filtre à graisse, tirer la poignée de décrochage à ressort.

• Le filtre à graisse retient les particules de graisse provenant de la cuisson. Avec le lavage au lave-vaisselle, le filtre anti-graisse métallique peut décolorer mais ses caractéristiques de filtrage restent les mêmes.

• **XB** **Filtre à charbon (seulement pour la version filtrante)** : Il est nécessaire de remplacer la cartouche au maximum tous les quatre mois. Il NE peut PAS être lavé ni régénéré. Comme indiqué dans la section des dessins : enlever les filtres à graisse, appliquer un filtre au charbon par côté et l'accrocher au produit. Remettre les filtres à graisse.

• Le filtre à charbon actif retient les odeurs désagréables de la cuisson. • La saturation du filtre à charbon actif se constate après un emploi plus ou moins long, selon la fréquence d'utilisation et la régularité du nettoyage du filtre à graisse.

Éclairage du plan de cuisson

• Le système d'éclairage est basé sur la technologie LED. Les LED fournissent un éclairage optimal, durent jusqu'à 10 fois plus longtemps que les ampoules classiques et permettent d'économiser 90 % d'électricité.

• **Système d'Éclairage** : Le système d'éclairage ne peut pas être remplacé par l'utilisateur ; en cas de dysfonctionnement, contacter le service d'assistance.

NL

Het product is ontworpen voor het afzuigen van het tijdens het koken geproduceerde dampen en rook en is uitsluitend bestemd voor huishoudelijk gebruik.

Neem de aanwijzingen van deze handleiding strikt in acht. Wij aanvaarden geen aansprakelijkheid voor eventuele problemen, schade of brand veroorzaakt door het product als gevolg van de niet-naleving van de aanwijzingen van deze handleiding.

Het apparaat kan anders uitzien dan op de tekeningen in dit boekje, maar de gebruiks-, onderhouds- en installatie-instructies blijven hetzelfde.

• Het is belangrijk om alle handleidingen te bewaren zodat ze op elk moment geraadpleegd kan worden. In geval van verkoop, overdracht of verhuizing moeten de handleidingen het product begeleiden. • Lees de aanwijzingen aandachtig: deze bevatten belangrijke informatie over de installatie, het gebruik en de veiligheid. • Controleer de intacte staat van het product alvorens verder te gaan met de installatie. Neem anders contact op met uw leverancier en ga niet verder met de installatie.

■ OPMERKINGEN

 : de met dit symbool gemarkeerde onderdelen kunnen apart worden aangeschaft bij gespecialiseerde dealers.

* : de met dit symbool gemarkeerde onderdelen zijn optionele accessoires die alleen voor bepaalde modellen worden geleverd, en die kunnen worden aangeschaft op de websites www.elica.com en www.shop.elica.com.

■ VEILIGHEID EN REGELGEVING

ALGEMENE VEILIGHEID

• Breng op het product of op de afvoerkanaal geen elektrische of mechanische wijzigingen aan. • Voordat er werkzaamheden voor reiniging of onderhoud worden uitgevoerd, moet het product worden losgekoppeld van het elektriciteitsnet door de stekker te verwijderen of de hoofdschakelaar van de woning uit te schakelen. • Draag tijdens alle werkzaamheden voor de installatie en het onderhoud altijd werkhandschoenen. • Het product mag gebruikt worden door kinderen vanaf 8 jaar en door personen met verminderde lichamelijke, zintuiglijke of geestelijke vermogens, of personen die niet beschikken over de noodzakelijke ervaring en kennis, mits ze onder toezicht staan of nadat ze aanwijzingen hebben ontvangen inzake het veilige gebruik van het apparaat en ze de bij het gebruik betrokken gevaren begrepen hebben. • Kinderen moeten onder toezicht staan om ervoor te zorgen dat ze niet met het product spelen. • De reiniging en het onderhoud mogen niet worden uitgevoerd door kinderen zonder dat ze onder toezicht staan. • Als het product gelijktijdig wordt gebruikt met andere apparaten die gas of andere brandstoffen verbranden, moet de ruimte beschikken over een voldoende ventilatie. • Het apparaat moet zowel aan de binnen- als de buitenkant regelmatig worden gereinigd (TEN MINSTE EENMAAL PER MAAND), en neem daarbij in ieder geval de uitdrukkelijk aangegeven onderhoudsvoorschriften in acht. • De niet-naleving van de normen voor reiniging van het product en voor de vervanging/reiniging van de filters vormt een gevaar voor brand. • Het is ten strengste verboden om onder het product voedingsmiddelen boven de vlam te bereiden. • **OPGELET:** Tijdens de werking van de kookplaat kunnen de bereikbare delen van het product heet worden. • Sluit het product niet aan op het elektriciteitsnet tot de installatie volledig is voltooid. • Voor wat betreft de toe te passen technische maatregelen en veiligheidsmaatregelen voor de afvoer van de dampen moet de regelgeving van de plaatselijke bevoegde instanties strikt in acht worden genomen. • De afgezogen lucht mag niet in een kanaal worden geleid dat gebruikt wordt voor de afvoer van de dampen geproduceerd door apparaten die gas of andere brandstoffen verbranden. • Gebruik het product niet en laat

het niet zonder correct gemonteerde lampen, in verband met het mogelijk risico op elektrische schokken.* Het product mag NOOIT zonder correct gemonteerd rooster gebruikt worden. • Het product mag NOOIT gebruikt worden als steunvlak, tenzij uitdrukkelijk aangegeven.

• Gebruik voor de vervanging van de lampen uitsluitend het type lamp aangegeven in het hoofdstuk betreffende het onderhoud/verlichtingssysteem van deze handleiding. • Het gebruik van open vuur is schadelijk voor de filters, vormt een gevaar voor brand en moet derhalve altijd vermeden worden. • Frituren moet altijd onder toezicht gebeuren om te voorkomen dat de olie oververhit raakt en vlam vat. • Neem in geval van twijfel contact op met het erkende servicecentrum of vergelijkbaar gekwalificeerd personeel.

⚠ VEILIGHEID VOOR DE INSTALLATIE

• Gebruik de bij het product geleverde bevestigingsschroeven alleen als ze geschikt zijn voor het oppervlak; anders moet het correcte type schroeven worden aangeschaft. Controleer dat er binnenin het product geen (voor het transport) bijgeleverde materialen aanwezig zijn (zoals bijvoorbeeld zakjes met schroeven, garantiebewijs, enz.); eventueel aanwezig materiaal moet verwijderd en bewaard worden. • **WAARSCHUWING:** Als schroeven en bevestigingselementen niet in overeenstemming met deze aanwijzingen worden geïnstalleerd, kan dit leiden tot risico's van elektrische aard. • De afvoerpijp wordt niet bijgeleverd en moet worden aangeschaft. • De diameter van de afvoerpijp moet gelijk zijn aan die van de koppelingsring. • Neem voor de installatie van het product op de kookplaat de op de tekeningen aangegeven hoogte in acht • De minimale afstand tussen het plaatsingsoppervlak van de pannen op het kooktoestel en de onderkant van de afzuigkap mag in geval van elektrische kookplaten niet minder zijn dan 50 cm en in geval van gaskookplaten of combi kookplaten niet minder dan 65 cm. • Als de installatie-aanwijzingen van het gaskooktoestel een grotere afstand aangegeven, moet deze in acht worden genomen.

⚠ VEILIGHEID VOOR DE ELEKTRISCHE AANSLUITING

• De netspanning moet voldoen aan de spanning aangegeven op het typeplaatje aangebracht aan de binnenkant van het product. • Indien voorzien van een stekker, moet het product worden aangesloten op een stopcontact dat aan de geldende normen voldoet, geplaatst op een ook na de installatie bereikbare plek. • Indien niet voorzien van een stekker (rechtstreekse aansluiting op het elektriciteitsnet), of als de stekker zich niet op een bereikbare plek bevindt, moet een goedgekeurde tweepolige schakelaar worden voorzien die de volledige loskoppeling van het elektriciteitsnet garandeert onder de omstandigheden van overspanningscategorie III, in overeenstemming met de installatievoorschriften. • Het

product is voorzien van een speciale voedingskabel; als de kabel beschadigd raakt, moet contact worden opgenomen met de technische servicedienst.

• **Opgelet!** Voordat het circuit weer op de netvoeding wordt aangesloten en de correcte werking ervan wordt gecontroleerd, moet altijd gecontroleerd worden of het netsnoer correct gemonteerd is.

Opgelet! Maak geen gebruik van een ander programmeringssysteem, timer, afstandsbediening of ander apparaat dat automatisch wordt geactiveerd.

■ SUGGESTIES VOOR GEBRUIK

Suggesties voor een correct gebruik om de milieu-impact te verminderen: Wanneer u begint te koken, schakel het apparaat dan in met de minimale snelheid en laat hem ook na het einde van de bereiding nog enkele minuten ingeschakeld. Verhoog de snelheid alleen in geval van een grote hoeveelheid stoom en rook en gebruik de functie booster alleen in extreme gevallen. Om het systeem voor de geurbeperving efficiënt te behouden moet(en), wanneer nodig, het/de koolstoffilter(s) vervangen worden. Om het vetfilter efficiënt te handhaven, moet het, wanneer noodzakelijk, gereinigd worden. Om de efficiëntie te optimaliseren en de geluidsemissies te beperken, moet de in deze handleiding aangegeven maximale diameter voor het leidingsysteem worden gebruikt.

■ VERWIJDERING AAN EINDE LEVENSDUUR

Dit apparaat is gemarkeerd in overeenstemming met de Europese richtlijn 2012/19/EG - UK SI 2013 No.3113, Waste Electrical and Electronic Equipment (WEEE) - Afgedankte Elektrische en Elektronische Apparatuur (AEEA). Zorg ervoor dat dit product op correcte wijze wordt afgevoerd.



De gebruiker draagt bij aan het voorkomen van potentieel negatieve gevolgen voor het milieu en de gezondheid.

Het op het product of op de begeleidende documenten aangegeven symbool geeft aan dat dit product niet behandeld mag worden als huishoudelijk afval, maar ingeleverd moet worden bij een erkend inzamelpunt voor de recycling van elektrische en elektronische apparaten. Verwerk het product in overeenstemming met de plaatselijke regelgeving voor afvalverwijdering. Voor meer informatie over de verwerking, het hergebruik en de recycling van dit product moet contact worden opgenomen met de plaatselijke instantie voor de inzameling van huishoudelijke apparaten of de winkel waar het product is aangekocht.

■ REGELGEVING

Apparaat ontworpen, getest en geproduceerd in overeenstemming met de normen inzake de Veiligheid: EN/IEC 60335-1; EN/IEC 60335-2-31, EN/IEC 62233. Prestaties: EN/IEC 61591; ISO 5167-1; ISO 5167-3; ISO 5168; EN/IEC 60704-1; EN/IEC 60704-2-13; EN/IEC 60704-3; ISO 3741; EN 50564; IEC 62301. EMC: EN

■ GEBRUIK

Het afzuigstelsel kan gebruikt worden in de afzuigversie met externe afvoer of in de filterversie met interne recirculatie.

● Afzuigversie:

De dampen worden naar buiten afgevoerd via een afvoerpijp bevestigd op de koppelingsflens.

OPGELET! Als het product is voorzien van koolstoffilter(s), moet(en) deze verwijderd worden.

Sluit het product aan op leidingen en uitlaatopeningen in de wand met een diameter die gelijk is aan die van de luchtuitlaat (koppelingsflens).

Het gebruik van leidingen en uitlaatopeningen met een kleinere diameter veroorzaken lagere prestaties van de afzuiging en een aanzienlijke toename van het geluidsniveau.

In deze gevallen aanvaarden wij derhalve geen enkele aansprakelijkheid.

- Gebruik een zo kort mogelijke kanaal.
- Gebruik een kanaal met zo weinig mogelijk bochten (maximale hoek van de bocht: 90°).
- Vermijd drastische wijzigingen in de doorsnede van het kanaal.

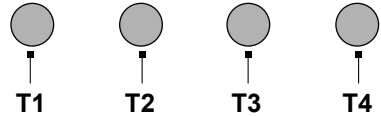
● Filterversie:

De aangezogen lucht wordt ontvet en ontgeurd alvorens ze weer in de ruimte wordt teruggebracht. Voor het gebruik van het product in deze versie moet een extra filtratiesysteem met actieve kool worden geïnstalleerd.

■ MONTAGE EERSTE INSTALLATIE

- Controleer of het aangeschafte product de juiste afmetingen heeft voor het gekozen installatiegebied.
- Verwijder, indien bijgeleverd, het/de koolfilter(s) (verwijs naar de betreffende paragraaf).
- Deze moeten alleen verwijderd worden als u het product in de filterversie wenst te gebruiken.
- In geval er panelen en/of wanden en/of kastjes aan de zijkant aanwezig zijn, controleer dan of er voldoende ruimte is voor de installatie van het product en dat het altijd mogelijk is om het bedieningspaneel gemakkelijk te bereiken.
- Het product is voorzien van bevestigingspluggen die geschikt zijn voor de meeste wanden/plafonds. Neem in ieder geval contact op met een gekwalificeerde technicus om de geschiktheid van de materialen van het type wand/plafond te laten beoordelen. De wand/het plafond moet voldoende sterk zijn om het gewicht van de afzuigkap te kunnen dragen.

■ WERKING



T1. Lichtschakelaar ON/OFF.

T2. Schakelaar OFF/snelheid 1

T3. Selectieknop snelheid 2

T4. Selectieknop snelheid 3

■ WAARSCHUWINGEN VOOR ONDERHOUD

- **Reiniging:** Gebruik voor de reiniging uitsluitend een met neutrale reinigingsmiddelen bevochtigde doek. Gebruik voor de reiniging geen gereedschappen of instrumenten.
- Vermijd het gebruik van producten die schurende stoffen bevatten. **GEEN ALCOHOL GEBRUIKEN!**



Verwijs voor het onderhoud van het product naar de afbeeldingen aan het einde van de installatie, gemarkeerd met dit symbool.

● **XA** **Vetfilter:** Het metalen vetfilter moet één keer per maand worden (of wanneer het systeem voor de aanduiding van de verzadiging van de filters dit vereist) gereinigd met niet-agressieve reinigingsmiddelen, hetzij met de hand, hetzij in een vaatwasmachine bij lage temperaturen en een korte cyclus. Voor de demontage van het vetfilter moet aan de ontgrendelingshendel met veer getrokken worden.

• Het vetfilter vangt de van het kookproces afkomstige vetdeeltjes op. Het kan gebeuren dat het wassen in de vaatwasser het metalen vetfilter verkleurt maar de filtereigenschappen zullen absoluut niet wijzigen.

● **XB** **Koolfilter (alleen voor filterversie):** Het filterelement moet maximaal om de vier maanden worden vervangen. Dit element kan NIET gewassen of geregenereerd worden. Zoals aangegeven in het deel met de tekeningen: verwijder de vetfilters, breng één koolstoffilter per zijde aan en haak ze vast aan het product. Plaats de vetfilters terug.

• Het koolfilter vangt de onaangename geuren van het kookproces op. • De verzadiging van het koolfilter treedt op na een meer of minder lang gebruik, afhankelijk van het soort bereiding en de regelmaat van de reiniging van het vetfilter.

Verlichting

• Het verlichtingssysteem is gebaseerd op de led-technologie. Leds garanderen een optimale verlichting en gaan maximaal 10 keer langer mee dan traditionele lampen, terwijl er 90% elektriciteit wordt bespaard.

● **Verlichtingssysteem :** Het verlichtingssysteem mag niet

door de gebruiker vervangen worden: neem in geval van stringen contact op met de servicedienst.

ES


El producto está realizado para la aspiración de los humos y vapores de la cocción y está destinado solo a uso doméstico.

Siga escrupulosamente las instrucciones proporcionadas en este manual. Se declina cualquier responsabilidad por posibles inconvenientes, daños o incendios causados al producto como consecuencia del incumplimiento de las instrucciones de este manual.

El producto puede tener un aspecto estético diferente al mostrado en las ilustraciones de este manual, sin embargo, las instrucciones para el uso, mantenimiento e instalación siguen siendo las mismas.

• Es importante conservar todos los manuales que acompañan al producto para consultarlos en todo momento. En caso de venta, cesión o traslado, asegúrese de que permanezcan junto con el producto. • Lea detenidamente las instrucciones: contienen importante información sobre la instalación, el uso y la seguridad. • Compruebe la integridad del producto antes de proceder con la instalación. De no ser así, póngase en contacto con su distribuidor e interrumpa la instalación.

■ NOTAS

 : las partes marcadas con este símbolo se pueden comprar por separado en los distribuidores especializados.

* : las partes marcadas con este símbolo son accesorios opcionales suministrados solo en algunos modelos y pueden comprarse en los sitios www.elica.com y www.shop.elica.com.

■ SEGURIDAD Y NORMATIVAS

SEGURIDAD GENERAL

• No realice cambios eléctricos o mecánicos en el producto o en los conductos de descarga. • Antes de realizar cualquier tarea de limpieza o mantenimiento, desconecte el producto de la red eléctrica, quitando el enchufe o desconectando el interruptor general de la habitación. • Para todas las operaciones de instalación y mantenimiento es preciso usar guantes de trabajo. • El aparato puede ser utilizado por niños a partir de los 8 años de edad y por personas con capacidades físicas, sensoriales o mentales reducidas, o con falta de experiencia y conocimiento, a condición de que estén bajo supervisión o hayan recibido instrucciones sobre el uso del aparato de forma segura y la comprensión de los peligros relacionados con el mismo. • Los niños deben ser controlados para que no jueguen con el producto. • Las operaciones de limpieza y mantenimiento no deben ser llevadas a cabo por niños sin ninguna supervisión. • El local debe disponer de suficiente

ventilación cuando el producto se utiliza al mismo tiempo que otros aparatos con combustión de gases u otros combustibles. El producto debe limpiarse con frecuencia tanto interna como externamente (AL MENOS UNA VEZ AL MES), respete de todos modos cuanto expresamente indicado en las instrucciones de mantenimiento. • La inobservancia de las normas de limpieza del producto y de la sustitución/limpieza de los filtros causa riesgos de incendios. • Está terminantemente prohibido cocinar alimentos con la llama bajo el producto. • ATENCIÓN: Cuando la placa de cocción está en funcionamiento las partes accesibles del producto pueden estar calientes. • No conecte el producto a la red eléctrica hasta que la instalación no está totalmente completada. • En lo que respecta a las medidas técnicas y de seguridad que deben adoptarse para la evacuación de los humos, atégase estrictamente a lo previsto en los reglamentos de las autoridades locales competentes. • El aire aspirado no debe encauzarse en una tubería que se utiliza para la evacuación de los humos producidos por el aparato de combustión de gas o de otros combustibles. • No utilice o deje el producto sin las lámparas correctamente montadas por posible riesgo de descarga eléctrica. • El producto no debe utilizarse NUNCA sin la rejilla correctamente montada. • El producto no debe utilizarse NUNCA como superficie de apoyo a menos que esté expresamente indicado.

• Para la sustitución de la lámpara, utilizar únicamente el tipo de lámpara indicado en la sección de mantenimiento/sistema de iluminación de este manual. • El empleo de llamas libres es perjudicial para los filtros y puede originar incendios, por lo tanto, se debe evitar en cualquier circunstancia. • Se recomienda mantener constantemente bajo control la cocción de alimentos por fritura, para evitar que el aceite recalentado arda. • En caso de dudas consultar el centro de servicio autorizado o a personal cualificado similar.

SEGURIDAD PARA LA INSTALACIÓN

• Utilice los tornillos de fijación suministrados con el producto solo si son adecuados a la superficie, de lo contrario compre del tipo correcto. Asegúrese de que en el interior del producto no haya (por motivos de transporte) materiales de embalaje (tales como bolsas con tornillos, garantías, etc.) que, en su caso, deberán ser quitados y guardados. • ADVERTENCIA: La falta de montaje de tornillos y elementos de fijación según lo indicado en estas instrucciones puede comportar riesgos de naturaleza eléctrica. • El tubo de evacuación no es suministrado y debe ser comprado. • El diámetro del tubo de descarga debe ser igual al diámetro del aro de empalme. • Para la instalación del producto en la placa de cocción respetar la altura indicada en los dibujos. • La distancia mínima entre las superficies de soporte de los recipientes en el dispositivo de cocción y la parte más baja de la campana no debe ser inferior a 50 cm en caso de cocinas eléctricas

y de 65 cm en caso de cocinas a gas o mixtas. • Si las instrucciones de instalación del dispositivo de cocción a gas especifican una distancia mayor, en necesario tenerlo en cuenta.

SEGURIDAD PARA LA CONEXIÓN ELÉCTRICA

• La tensión de red debe corresponder a la tensión señalada en la etiqueta de características situada dentro del producto. • Si está dotado con un enchufe, conecte el producto a una toma de corriente que cumpla con las normas vigentes, situada en una zona accesible incluso después de la instalación. • Si no está dotado de enchufe (conexión directa a la red) o el enchufe no está situado en una zona accesible, incluso después de la instalación, coloque un interruptor bipolar normalizado que garantice la desconexión completa de la red en las condiciones de categoría de sobretensión III, de acuerdo con las normas de instalación. • El producto está dotado de un cable de alimentación especial; en caso de que se dañe el cable, solicítelo al servicio de asistencia técnica.

● **¡Cuidado!** Antes de volver a conectar el circuito a la red eléctrica y verificar su correcto funcionamiento, siempre compruebe que el cable de la alimentación haya sido correctamente instalado.

¡Cuidado! No utilizar con un programador, temporizador, mando a distancia independiente o cualquier otro dispositivo que se active automáticamente.

■ SUGERENCIAS DE USO

Recomendaciones para la correcta utilización con el fin de limitar el impacto sobre el medio ambiente: Cuando empiece a cocinar, encienda el producto a la velocidad mínima, dejándolo encendido unos minutos incluso después de terminar de cocinar. Aumente la velocidad solo si se produjera una gran cantidad de humo y vapor, accionado la función booster solamente en los casos extremos. Para que el sistema de reducción de olores, se mantenga eficiente, es preciso sustituir, cuando fuera necesario, el/los filtros de carbón. Para que el filtro de grasa se mantenga eficiente, es preciso limpiarlo cuando fuera necesario. Para optimizar la eficiencia y reducir al mínimo el ruido, utilice el diámetro máximo del sistema de canalización que figura en este manual.

■ ELIMINACIÓN AL FINAL DE VIDA

Este aparato está marcado de acuerdo con la Directiva Europea 2012/19/CE - UK SI 2013 No.3113, Residuos de Aparatos Eléctricos y Electrónicos (RAEE). Asegurándose de que este producto sea eliminado de modo correcto. El usuario contribuye a prevenir las potenciales consecuencias negativas para el ambiente y la salud.



El símbolo en el producto o en la documentación adjunta indica que este producto no debe ser tratado como un desecho doméstico, sino que debe ser llevado a un punto

de recolección adecuado para el reciclaje de aparatos eléctricos y electrónicos. Para la eliminación del producto siga las normativas locales para la eliminación de residuos. Para obtener más información sobre el tratamiento, la recuperación y el reciclaje de este producto, póngase en contacto con las autoridades locales, el servicio de recolección de residuos domésticos o con la tienda donde se ha comprado el producto.

■ NORMATIVAS

Equipo diseñado, probado y realizado respetando las normas sobre la Seguridad: EN/IEC 60335-1; EN/IEC 60335-2- 31, EN/IEC 62233. Rendimiento: EN/IEC 61591; ISO 5167-1; ISO 5167-3; ISO 5168; EN/IEC 60704-1; EN/IEC 60704-2-13; EN/IEC 60704-3; ISO 3741; EN 50564; IEC 62301. EMC: EN 55014-1; CISPR 14-1; EN 55014-2; CISPR 14-2; EN/IEC 61000-3-2; EN/IEC 61000-3-3.

■ USO

El sistema de aspiración puede ser utilizado en la versión aspirante de evacuación externa o bien en la versión filtrante de recirculación interior.

● Versión Aspirante:

Los vapores se evacúan al exterior a través de un tubo de escape fijado a la brida de conexión.

¡ATENCIÓN! Si el producto está equipado con filtro/s de carbón, debe/n retirarse.

Empalme el producto en tuberías o agujeros de descarga en la pared con diámetro equivalente al de la salida de aire (brida de empalme).

El empleo de tuberías y agujeros de descarga en la pared con diámetro inferior conllevará una disminución en términos de rendimiento de aspiración y un aumento drástico del ruido.

Por lo tanto no se acepta responsabilidad alguna por ello.

• Usar un conducto cuya longitud sea la mínima indispensable.

• Usar un conducto con la menor cantidad de codos posibles (ángulo máximo del codo: 90°).

• Evitar cambios bruscos de sección del conducto.

● Versión Filtrante:

El aire extraído es desengrasado y desodorizado antes de ser devuelto a la habitación. Para utilizar el producto en esta versión, es necesario instalar un sistema de filtro de carbón activado adicional.

■ MONTAJE PRIMERA INSTALACIÓN

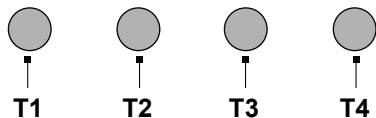
• Asegúrese de que el producto comprado sea de un tamaño adecuado para la zona de instalación escogida.

• Retirar el/los filtro/s de carbón activo si se suministraron (véase también el respectivo apartado).

• Este/os solo debe/n ser reajustado/s si el producto va a ser utilizado en versión filtrante.

- En el caso de la presencia de paneles y/o colgantes laterales, comprobar que haya espacio suficiente para instalar el producto y que siempre sea posible acceder fácilmente al panel de mandos.
- El producto está equipado con tacos de fijación adecuados para la mayoría de las paredes/techos. Sin embargo, es necesario consultar a un técnico cualificado para comprobar la idoneidad de los materiales en función del tipo de pared/techo. La/el pared/techo debe ser suficientemente fuerte para sostener el peso de la campana.

■ FUNCIONAMIENTO



- T1. Interruptor luz ON/OFF.
 T2. Interruptor OFF/ velocidad 1
 T3. Selección velocidad 2
 T4. Selección velocidad 3

■ ADVERTENCIAS DE MANTENIMIENTO

- **Limpieza:** Para la limpieza use exclusivamente un paño humedecido con detergentes líquidos neutros. No utilice herramientas o instrumentos para la limpieza.
- No utilice productos que contienen abrasivos. ¡NO UTILICE ALCOHOL!



Para el mantenimiento del producto ver las imágenes marcadas con este símbolo al final de la instalación.

• **✂A Filtro de grasas:** El filtro de grasas metálico debe limpiarse una vez al mes con detergentes no agresivos, ya sea manualmente o en un lavavajillas a baja temperatura y en un ciclo corto. Para desmontar el filtro de grasas, tire de la palanca de liberación con muelle.

• El Filtro de grasa retiene las partículas de grasa derivadas de la cocción. Cuando el filtro metálico de grasa se lava en el lavavajillas puede decolorarse pero ello no afecta de ninguna manera sus características de filtrado.

• **✂B Filtro de carbón (solo para versión filtrante):** Es necesario sustituir el cartucho al máximo cada cuatro meses. NO puede lavarse o regenerarse. Como está indicado en la sección de los dibujos: retire el filtro de grasas, coloque un filtro de carbón por lado y engánchelo al producto. Sustituya los filtros de grasas.

• El filtro de carbón retiene los olores desagradables derivados de la cocción. La saturación de los filtros de carbón se produce después de un uso más o menos prolongado dependiendo del tipo de cocina y de la

regularidad de la limpieza del filtro de grasas.

Iluminación

• El sistema de iluminación está basado en la tecnología LED. Los LED garantizan una iluminación óptima, con una duración hasta 10 veces mayor que las lámparas tradicionales y permiten ahorrar el 90% de energía eléctrica.

• **Sistema de Iluminación :** El sistema de iluminación no es sustituible por el usuario, en caso de mal funcionamiento póngase en contacto con el servicio de asistencia técnica.

PT


O produto está concebido para a aspiração de fumos e vapores da cozedura e destina-se apenas a uso doméstico.

Siga rigorosamente todas as instruções contidas neste manual. Não nos responsabilizamos por eventuais inconvenientes, danos ou incêndios provocados ao produto devido à inobservância das instruções indicadas neste manual.

O aparelho pode ter estéticas diferentes relativamente ao ilustrado nos desenhos deste manual, contudo as instruções de utilização, manutenção e instalação são as mesmas.

- É importante conservar todos os manuais que acompanham o produto para poder consultá-los a qualquer momento. Em caso de venda, cessão ou mudança, certifique-se de que permaneçam junto do produto.
- Leia atentamente as instruções: existem importantes informações sobre a instalação, a utilização e a segurança.
- Verifique a integridade do produto antes de proceder à instalação. Caso contrário, entre em contacto com o revendedor e não prossiga com a instalação.

■ NOTAS

: as peças marcadas com este símbolo podem ser adquiridas separadamente junto de revendedores especializados.

*: as peças marcadas com este símbolo são acessórios opcionais fornecidos apenas em alguns modelos e podem ser adquiridas nos sites www.elica.com e www.shop.elica.com.

■ SEGURANÇA E REGULAMENTOS

⚠ SEGURANÇA GERAL

• Não faça alterações elétricas ou mecânicas no produto ou nas condutas de extração. • Antes de qualquer operação de limpeza ou de manutenção, desligue o produto da rede elétrica, retirando a ficha da tomada ou desligando o interruptor geral da habitação. • Para todas as operações de

instalação e manutenção, use luvas de trabalho. • O produto pode ser utilizado por crianças de idade não inferior a 8 anos e por pessoas com capacidades físicas, sensoriais ou mentais reduzidas, ou com falta de experiência ou do necessário conhecimento, desde que sob vigilância ou após terem recebido instruções acerca do uso do aparelho em segurança e da compreensão dos perigos a ele inerentes. • As crianças devem ser vigiadas para que não brinquem com o produto. • A limpeza e a manutenção não devem ser efetuadas por crianças sem vigilância. O local deve dispor de ventilação suficiente quando o produto for utilizado em simultâneo com outros aparelhos de combustão a gás ou outros combustíveis. • O produto deve ser limpo frequentemente, quer no seu interior quer no seu exterior (PELO MENOS UMA VEZ POR MÊS), contudo respeite as indicações expressas nas instruções de manutenção. • O incumprimento das normas de limpeza do produto e da substituição / limpeza dos filtros implica risco de incêndio. • É estritamente proibido cozinhar alimentos na chama sob o produto. • **ATENÇÃO:** Quando a placa de cozinha estiver em funcionamento, as partes acessíveis do produto podem ficar quentes. • Não ligue o produto à rede elétrica sem que a instalação esteja completamente concluída. • No que diz respeito às medidas técnicas e de segurança a serem adotadas para a extração de fumos, siga rigorosamente as disposições previstas nos regulamentos das autoridades locais competentes. • O ar aspirado não deve ser encanado numa conduta usada para a extração dos fumos produzidos por aparelhos de combustão a gás ou outros combustíveis. • Não utilize ou deixe o produto sem lâmpadas corretamente montadas para evitar o possível risco de choque elétrico. • O produto NUNCA deve ser utilizado sem a grelha corretamente montada. O produto NUNCA deve ser utilizado como superfície de apoio a menos que seja expressamente indicado.

• Para a substituição da lâmpada, utilize apenas o tipo de lâmpada indicado na seção de manutenção/sistema de iluminação deste manual. • O uso de chamas livres é prejudicial para os filtros e pode provocar incêndios, pelo que deve ser sempre evitado. • A fritura deve ser feita sob controlo para evitar que o óleo sobreaquecido pegue fogo. • Em caso de dúvida, consulte o centro de assistência autorizado ou um profissional qualificado similar.

SEGURANÇA PARA A INSTALAÇÃO

• Utilize os parafusos de fixação fornecidos em dotação com o produto apenas se forem adequados para a superfície, caso contrário compre-os do tipo correto. Certifique-se de que dentro do produto não existe (por motivos de transporte) material acessório (por exemplo, sacos com parafusos, garantias etc.); caso contrário, deve ser retirado e guardado. • **AVISO:** A falta de instalação de parafusos e de outros dispositivos de fixação de acordo com estas instruções, pode resultar em riscos de natureza elétrica. • O tubo de evacuação não é fornecido e deverá ser

adquirido. • O diâmetro do tubo de extração deve ser equivalente ao diâmetro do anel de ligação. • Para a instalação do produto sobre a placa de cozinha respeite a altura indicada nos desenhos • A distância mínima entre a superfície de apoio dos recipientes sobre o dispositivo de cozedura e a parte mais baixa do exaustor de cozinha não deve ser inferior a 50 cm no caso de fogões elétricos e de 65 cm no caso de fogões a gás ou mistos. • Se as instruções de instalação do dispositivo de cozedura a gás especificarem uma distância maior, é preciso ter isso em consideração.

SEGURANÇA PARA A LIGAÇÃO ELÉTRICA

• A tensão da rede deve corresponder à tensão indicada na etiqueta de características situada dentro do produto. • Se equipado com uma ficha, ligue o produto a uma tomada, em conformidade com as normas vigentes, colocada numa zona acessível, mesmo após a instalação. • Se for desprovido de ficha (ligação direta à rede) ou se a ficha não estiver colocada em zona acessível, mesmo após a instalação, aplique um interruptor bipolar em norma que garanta o desligamento total da rede nas condições da categoria de sobretensão III, em conformidade com as regras de instalação. • O produto está equipado com um cabo de alimentação especial; se o cabo estiver danificado, solicite-o ao serviço de assistência técnica.

• **Atenção!** Antes de ligar novamente o circuito à alimentação da rede e de verificar o seu correto funcionamento, verificar sempre se o cabo de alimentação está montado corretamente.

Atenção! Não utilize com programadores, temporizadores, controles remotos separados ou qualquer outro dispositivo que se ative automaticamente.

SUGESTÕES DE UTILIZAÇÃO

Sugestões para uma utilização correta para reduzir o impacto ambiental: Quando começar a cozinhar, ligue o aparelho na velocidade mínima, deixando-o ligado durante alguns minutos, mesmo após ter terminado de cozinhar. Aumente a velocidade apenas em caso de grandes quantidades de fumo e vapor, utilizando a função booster só em casos extremos. Para manter o sistema de redução de cheiros eficiente, substitua o(s) filtro(s) de carvão quando for necessário. Para manter eficiente o filtro de gordura, limpe-o em caso de necessidade. Para otimizar a eficiência e minimizar os ruídos, utilize o diâmetro máximo do sistema de canalização indicado neste manual.

■ ELIMINAÇÃO EM FIM DE VIDA

Este aparelho está marcado em conformidade com a Diretiva Europeia 2012/19/CE - Instrumento Estatutário do Reino Unido n.º 3113 de 2013, Resíduos de equipamentos elétricos e eletrônicos (REEE). Ao assegurar-se de que este aparelho seja eliminado corretamente, o utilizador contribui para evitar as potenciais consequências negativas para o ambiente e para a saúde.



O símbolo no produto ou na documentação anexa indica que este produto não deve ser tratado como lixo doméstico, devendo ser entregue no ponto de recolha apropriado para a reciclagem de equipamentos elétricos e eletrônicos. Desfaça-se deles seguindo os regulamentos locais para a eliminação dos resíduos. Para mais informações sobre o tratamento, recuperação e reciclagem deste produto, contacte as autoridades locais, o serviço de recolha de resíduos domésticos ou a loja onde o aparelho foi adquirido.

■ REGULAMENTAÇÃO

Aparelho projetado, testado e fabricado respeitando as normas de Segurança: EN/IEC 60335-1; EN/IEC 60335-2-31, EN/IEC 62233. Desempenho: EN/IEC 61591; ISO 5167-1; ISO 5167-3; ISO 5168; EN/IEC 60704-1; EN/IEC 60704-2-13; EN/IEC 60704-3; ISO 3741; EN 50564; IEC 62301. CEM: EN 55014-1; CISPR 14-1; EN 55014-2; CISPR 14-2; EN/IEC 61000-3-2; EN/IEC 61000-3-3.

■ UTILIZAÇÃO

O sistema de aspiração pode ser utilizado na versão de aspiração com evacuação externa ou de filtragem de recirculação interna.

● Versão de aspiração:

Os vapores são evacuados para o exterior por meio de um tubo de descarga fixado no flange de conexão.

ATENÇÃO! Se o produto dispuser de filtro(s) de carvão, ele(s) deve(m) ser removido(s).

Ligue o produto a tubos e orifícios de descarga na parede com diâmetro equivalente à saída de ar (flange de conexão).

A utilização de tubos e orifícios de descarga na parede com diâmetro inferior determinará uma diminuição no desempenho de aspiração e um aumento drástico do ruído.

Isentamo-nos de qualquer responsabilidade neste caso.

- Use um duto com o comprimento mínimo indispensável.
- Use um duto com o menor número de curvas possível (ângulo máximo da curva: 90°).
- Evite mudanças drásticas de secção do duto.

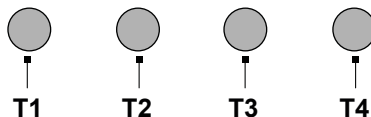
● Versão de filtragem:

O ar aspirado será desengordurado e desodorado antes de ser reconduzido para o cômodo. Para utilizar o produto nesta versão, é necessário instalar um sistema de filtragem adicional à base de carvões ativos.

■ MONTAGEM ANTES DA INSTALAÇÃO

- Verifique se o produto adquirido possui dimensões adequadas para a zona de instalação previamente escolhida.
- Retire o(s) filtro(s) de carvão ativo, se fornecido(s) (ver também a seção correspondente).
- Ele(s) só deve(m) ser remontado(s) se se desejar utilizar o produto na versão filtrante.
- No caso da presença de painéis e/ou paredes e/ou prateleiras laterais, verifique se há espaço suficiente para instalar o produto e se é sempre possível aceder ao painel de comandos com facilidade.
- O produto dispõe de pastilhas de fixação adequadas para a maior parte das paredes/tetos. É, no entanto, necessário consultar um técnico qualificado para assegurar-se de que os materiais são adequados, dependendo do tipo de parede/teto. A parede/o teto deve ser suficientemente robusta/o para sustentar o peso do exaustor.

■ FUNCIONAMENTO




- T1. Interruptor luz ON/OFF.
- T2. Interruptor OFF/velocidade 1
- T3. Seleção velocidade 2
- T4. Seleção velocidade 3

■ AVISOS DE MANUTENÇÃO

- **Limpeza:** Para a limpeza utilize exclusivamente um pano humedecido com detergentes líquidos neutros. Não utilize ferramentas ou instrumentos para a limpeza.
- Evite o uso de produtos contendo abrasivos. **NÃO UTILIZAR ÁLCOOL!**



Para manutenção do produto veja as imagens no final da instalação marcadas com este símbolo.

-  **Filtro de gorduras:** O filtro de gorduras metálico deve ser limpo uma vez por mês com detergentes não agressivos, à mão ou na máquina de lavar louça a baixas temperaturas e com um ciclo breve. Para desmontar o filtro de gorduras, puxe a alça de desengate por mola.
- O filtro de gorduras retém as partículas de gordura derivadas do cozimento. Com a lavagem na máquina de

lavar louça, o filtro de gorduras metálico pode perder a cor, mas suas características de filtração não se alteram absolutamente.

• **XB Filtro de carvão (somente para versão filtrante):** É necessário substituir o cartucho pelo menos a cada quatro meses. **NÃO** pode ser lavado ou regenerado. Conforme indicado na seção de desenhos: retire os filtros de gordura, aplique um filtro de carvão de cada lado e engate-o no produto. Recoloque os filtros de gordura.

• O filtro de carvão retém os odores desagradáveis derivados do cozimento. • A saturação do filtro de carvão verifica-se após uma utilização mais ou menos prolongada, dependendo do tipo de culinária e da regularidade da limpeza do filtro de gorduras.

Iluminação

• O sistema de iluminação se baseia na tecnologia a LED. Os LEDs garantem uma iluminação ideal, com uma duração até 10 vezes superior às lâmpadas tradicionais, e permitem uma economia de 90% de energia elétrica.

• **Sistema de iluminação :** O sistema de iluminação não pode ser substituído pelo utilizador, em caso de mau funcionamento, entre em contacto com o serviço de assistência.

EL


To προϊόν έχει σχεδιαστεί για την απορρόφηση του καπνού και των ατμών μαγειρέματος και προορίζεται αποκλειστικά για οικιακή χρήση.

Τηρείτε αυστηρά τις οδηγίες που περιέχονται στο παρόν εγχειρίδιο. Η εταιρεία αποποιείται οποιαδήποτε ευθύνη για τυχόν ανωμαλίες, ζημιές ή φωτιές που προκαλούνται στο προϊόν λόγω μη τήρησης των οδηγιών που περιέχονται στο παρόν εγχειρίδιο.

Από αισθητική άποψη, η συσκευή ενδέχεται να παρουσιάζει διαφορές σε σχέση με το προϊόν που απεικονίζεται στα σχέδια του παρόντος εγχειριδίου, ωστόσο οι οδηγίες χρήσης, συντήρησης και εγκατάστασης παραμένουν οι ίδιες.

• Είναι σημαντικό να διατηρείτε όλα τα εγχειρίδια που συνοδεύουν το προϊόν ώστε να μπορείτε να τα συμβουλευέστε ανά πάσα στιγμή. Σε περίπτωση πώλησης, μεταβίβασης ή μετεγκατάστασης, βεβαιωθείτε ότι αυτά παραμένουν μαζί με το προϊόν. • Διαβάστε προσεκτικά τις οδηγίες: υπάρχουν σημαντικές πληροφορίες σχετικά με την εγκατάσταση, τη χρήση και την ασφάλεια. • Βεβαιωθείτε ότι το προϊόν είναι ακέραιο προτού προχωρήσετε στην εγκατάσταση. Σε αντίθετη περίπτωση, επικοινωνήστε με τον πωλητή και μην εκτελείτε την εγκατάσταση.

■ ΣΗΜΕΙΩΣΕΙΣ

 : τα εξαρτήματα που φέρουν αυτό το σύμβολο μπορείτε να τα προμηθευτείτε χωριστά από εξειδικευμένα καταστήματα.

* : τα εξαρτήματα που φέρουν αυτό το σύμβολο αποτελούν πρόσθετα εξαρτήματα τα οποία παρέχονται μόνο με ορισμένα μοντέλα και τα οποία μπορείτε να προμηθευτείτε από τους ιστότοπους www.elica.com και www.shop.elica.com.

■ ΑΣΦΑΛΕΙΑ ΚΑΙ ΚΑΝΟΝΙΣΜΟΙ

ΓΕΝΙΚΗ ΑΣΦΑΛΕΙΑ

•Μην εκτελείτε τροποποιήσεις ηλεκτρικής ή μηχανικής φύσης στο προϊόν ή στους αγωγούς εξερισμού. •Πριν από οποιαδήποτε εργασία καθαρισμού ή συντήρησης, αποσυνδέστε τη συσκευή από το ηλεκτρικό ρεύμα βγάζοντας το φως από την πρίζα ή κατεβάζοντας τον γενικό διακόπτη του σπιτιού σας. •Για όλες τις εργασίες εγκατάστασης και συντήρησης χρησιμοποιείτε γάντια εργασίας. • Η συσκευή μπορεί να χρησιμοποιηθεί από παιδιά ηλικίας άνω των 8 ετών και από άτομα με μειωμένες σωματικές, αισθητηριακές ή διανοητικές ικανότητες, ή από άτομα που στερούνται εμπειρίας ή απαραίτητης γνώσης, εφόσον αυτά βρίσκονται υπό επίβλεψη ή έχουν λάβει οδηγίες σχετικά με την ασφαλή χρήση της συσκευής και την κατανόηση των σχετικών κινδύνων. • Τα παιδιά πρέπει να επιβλέπονται ώστε να επιβεβαιώνεται ότι δεν παίζουν με τη συσκευή. • Τα παιδιά απαγορεύεται να πραγματοποιούν εργασίες καθαρισμού ή συντήρησης χωρίς την επίβλεψη κάποιου ενήλικα. •Ο χώρος πρέπει να αερίζεται επαρκώς, όταν η συσκευή χρησιμοποιείται ταυτόχρονα με άλλες συσκευές καύσης αερίου ή άλλων καύσιμων υλών. •Η συσκευή θα πρέπει να καθαρίζεται συχνά τόσο εσωτερικά όσο και εξωτερικά (ΤΟΥΛΑΧΙΣΤΟΝ ΜΙΑ ΦΟΡΑ ΤΟ ΜΗΝΑ), τηρώντας πάντα όσα αναφέρονται ρητά στις οδηγίες συντήρησης. •Η μη τήρηση των κανόνων καθαρισμού της συσκευής και της αντικατάστασης/καθαρισμού των φίλτρων ενέχει τον κίνδυνο πυρκαγιάς. •Απαγορεύεται αυστηρά το μαγείρεμα με τη χρήση φωτιάς (φλαμπέ) κάτω από τη συσκευή. •ΠΡΟΣΟΧΗ: Όταν η φωτιά μαγειρέματος είναι σε λειτουργία τα προσβάσιμα μέρη της συσκευής ενδέχεται να ζεσταθούν. •Μη συνδέετε τη συσκευή στο ηλεκτρικό ρεύμα μέχρι να ολοκληρωθεί εντελώς η εγκατάσταση. •Όσον αφορά τα τεχνικά μέτρα και μέτρα ασφαλείας που πρέπει να λαμβάνονται για την απαγωγή του καπνού θα πρέπει να τηρείτε αυστηρά όσα προβλέπονται από τους κανονισμούς των αρμόδιων τοπικών αρχών. •Ο απορροφούμενος αέρας δεν πρέπει να διοχετεύεται σε αγωγό που χρησιμοποιείται για την απαγωγή του καπνού που παράγεται από συσκευές καύσης αερίου ή άλλης καύσιμης ύλης. •Μη χρησιμοποιείτε ή μην αφήνετε τη συσκευή χωρίς λάμπες σωστά συνδεδεμένες διότι υπάρχει πιθανός κίνδυνος ηλεκτροπληξίας. • Η συσκευή δεν πρέπει ΠΟΤΕ να χρησιμοποιείται χωρίς τη σχάρα σωστά εγκατεστημένη. • Η συσκευή δεν πρέπει ΠΟΤΕ να χρησιμοποιείται ως επιφάνεια στήριξης εκτός εάν αναφέρεται ρητά.

• Για την αντικατάσταση του λαμπτήρα χρησιμοποιείτε πάντα τον τύπο λαμπτήρα που υποδεικνύεται στην ενότητα συντήρηση/σύστημα φωτισμού του παρόντος εγχειριδίου. • Η χρήση φωτιάς κατά το μαγείρεμα θα πρέπει να αποφεύγεται σε κάθε περίπτωση διότι μπορεί να προκαλέσει ζημιά στα φίλτρα ή πυρκαγιά. • Το ηγάνισμα πρέπει να γίνεται υπό επίβλεψη διότι υπάρχει κίνδυνος του καυτό λάδι να αρπάξει φωτιά. • Σε περίπτωση αμφιβολίας, συμβουλευτείτε το εξουσιοδοτημένο κέντρο υποστήριξης ή παρόμοιο εξειδικευμένο προσωπικό.

⚠️ ΑΣΦΑΛΕΙΑ ΚΑΤΑ ΤΗΝ ΕΓΚΑΤΑΣΤΑΣΗ

• Χρησιμοποιήστε τις βίδες στερέωσης που παρέχονται μαζί με τη συσκευή μόνο εάν είναι κατάλληλες για την επιφάνεια, διαφορετικά προμηθευτείτε άλλες κατάλληλου τύπου. Ελέγξτε ότι στο εσωτερικό του προϊόντος δεν υπάρχει (λόγω μεταφοράς) κάποιο συνοδευτικό υλικό (π.χ. σακουλάκια με βίδες, εγγύηση, κτλ.), και αν υπάρχει, αφαιρέστε το και φυλάξτε το. • ΠΡΟΕΙΔΟΠΟΙΗΣΗ: Εάν η τοποθέτηση των βιδών και των στοιχείων στερέωσης δεν πραγματοποιείται σύμφωνα με τις οδηγίες χρήσεως, ενδέχεται να προκληθούν κίνδυνοι ηλεκτρικής φύσεως. • Ο σωλήνας εκκένωσης δεν παρέχεται και πρέπει να αγοράζεται χωριστά. • Η διάμετρος του σωλήνα εξαερισμού πρέπει να είναι ίση με τη διάμετρο του δακτυλίου σύνδεσης. • Για την εγκατάσταση της συσκευής επάνω από την επιφάνεια εστιών πρέπει να τηρείται το ύψος που υποδεικνύεται στα σχέδια. • Η ελάχιστη απόσταση ανάμεσα στην επιφάνεια στήριξης των σκευών επάνω στην εστία μαγειρέματος και στο χαμηλότερο μέρος του απορροφητήρα κουζίνας δεν πρέπει να είναι μικρότερη από 50 cm εάν πρόκειται για ηλεκτρική κουζίνα ή 65 cm εάν πρόκειται για κουζίνα αερίου ή μικτού τύπου. • Εάν οι οδηγίες εγκατάστασης της συσκευής μαγειρέματος με αέριο ορίζουν μεγαλύτερη απόσταση, θα πρέπει να τη λαμβάνετε υπόψη.

⚠️ ΑΣΦΑΛΕΙΑ ΚΑΤΑ ΤΗΝ ΗΛΕΚΤΡΙΚΗ ΣΥΝΔΕΣΗ

• Η τάση του δικτύου πρέπει να αντιστοιχεί στην τάση που αναγράφεται στην ετικέτα χαρακτηριστικών που βρίσκεται στο εσωτερικό της συσκευής. • Εάν η συσκευή διαθέτει φως, συνδέστε το σε μια πρίζα που συμμορφώνεται με τους ισχύοντες κανόνες και η οποία θα είναι εύκολα προσβάσιμη ακόμη και μετά την εγκατάσταση. • Εάν η συσκευή δεν διαθέτει φως (απευθείας σύνδεση στο ρεύμα) ή το φως δεν βρίσκεται σε εύκολα προσβάσιμο σημείο, ακόμη και μετά την εγκατάσταση, τοποθετήστε έναν διπολικό διακόπτη που να εξασφαλίζει την πλήρη αποσύνδεση από το ρεύμα υπό συνθήκες κατηγορίας υπέρτασης III, σύμφωνα με τους κανόνες εγκατάστασης. • Η συσκευή διαθέτει ειδικό καλώδιο τροφοδοσίας. Σε περίπτωση καταστροφής του καλωδίου, ζητήστε ένα καινούργιο από την υπηρεσία τεχνικής υποστήριξης.

• **Προσοχή!** Προτού επανασυνδέσετε το κύκλωμα στην παροχή ρεύματος και επιβεβαιώσετε τη σωστή λειτουργία

του, πρέπει πάντα να ελέγχετε ότι το καλώδιο τροφοδοσίας είναι σωστά συνδεδεμένο.

Προσοχή! Μην το χρησιμοποιείτε με προγραμματιστή, χρονοδιακόπτη, ξεχωριστό τηλεχειριστήριο ή οποιαδήποτε άλλη συσκευή που ενεργοποιείται αυτόματα.

■ ΟΔΗΓΙΕΣ ΧΡΗΣΗΣ

Συμβουλές για την ορθή χρήση της συσκευής με σκοπό τη μείωση των αρνητικών επιπτώσεων στο περιβάλλον: Μόλις ξεκινήσετε το μαγείρεμα, ενεργοποιήστε τη συσκευή στην ελάχιστη ταχύτητα και αφήστε τη να λειτουργήσει για μερικά λεπτά ακόμη και μετά το τέλος του μαγειρέματος. Αυξήστε την ταχύτητα του μόνον σε περίπτωση μεγάλης ποσότητας καπνού ή ατμού, χρησιμοποιώντας τη λειτουργία booster μόνον σε ακραίες καταστάσεις. Για τη βέλτιστη απόδοση του συστήματος μείωσης των οσμών, αντικαταστήστε το φίλτρο (ή τα φίλτρα) άνθρακα όταν χρειαστεί. Για τη διατήρηση της αποτελεσματικότητας του φίλτρου λιπαρών ουσιών, θα πρέπει να το καθαρίζετε τακτικά. Για τη βέλτιστη απόδοση της συσκευής αλλά και για να μειώσετε τα επίπεδα θορύβου, χρησιμοποιήστε τη μέγιστη διάμετρο αγωγών που αναφέρεται στο παρόν εγχειρίδιο.

■ ΑΠΟΡΡΙΨΗ ΤΟΥ ΠΡΟΪΟΝΤΟΣ ΣΤΟ ΤΈΛΟΣ ΖΩΉΣ ΤΟΥ

Η συσκευή αυτή φέρει σήμανση σύμφωνα με την Ευρωπαϊκή Οδηγία 2012/19/EK - UK SI 2013 Αρ.3113, Απόβλητα Ηλεκτρικού και Ηλεκτρονικού Εξοπλισμού (ΑΗΗΕ). Βεβαιωθείτε ότι η απόρριψη αυτού του προϊόντος εκτελείται σωστά. Ο χρήστης συμβάλλει στην πρόληψη των πιθανών αρνητικών επιπτώσεων για το περιβάλλον και την υγεία.

Το σύμβολο επάνω στο προϊόν ή στα συνοδευτικά έγγραφα υποδεικνύει ότι το εν λόγω προϊόν δεν πρέπει να απορριπτεί μαζί με τα οικιακά απορρίμματα αλλά πρέπει να παραδίδεται σε κατάλληλο σημείο συλλογής για την ανακύκλωση ηλεκτρικού και ηλεκτρονικού εξοπλισμού. Η απόρριψη του προϊόντος θα πρέπει να γίνεται σύμφωνα με τους τοπικούς κανονισμούς διάθεσης των αποβλήτων. Για περισσότερες πληροφορίες σχετικά με την επεξεργασία, ανάκτηση και ανακύκλωση αυτής της συσκευής, επικοινωνήστε με το αρμόδιο γραφείο του δήμου σας, την υπηρεσία περισυλλογής οικιακών απορριμμάτων ή με το κατάστημα απ' όπου αγοράσατε τη συσκευή.

■ ΚΑΝΟΝΙΣΜΟΙ

Εξοπλισμός που έχει σχεδιαστεί, δοκιμασθεί και κατασκευαστεί σύμφωνα με τα πρότυπα για την Ασφάλεια: EN/IEC 60335-1, EN/IEC 60335-2- 31, EN/IEC 62233. Απόδοση: EN/IEC 61591, ISO 5167-1, ISO 5167-3, ISO 5168, EN/IEC 60704-1, EN/IEC 60704-2-13, EN/IEC 60704-3, ISO 3741, EN 50564, IEC 62301. Ηλεκτρομαγνητική Συμβατότητα: EN 55014-1, CISPR 14-1, EN 55014-2, CISPR 14-2, EN/IEC 61000-3-2, EN/IEC 61000-3-3.

■ ΧΡΗΣΗ

Το σύστημα απορρόφησης μπορεί να πραγματοποιηθεί με δύο τρόπους, είτε με απορρόφηση εξωτερικής εκκένωσης είτε με φίλτράρισμα εσωτερικής ανακυκλοφορίας.

● Έκδοση Απορρόφησης:

Οι ατμοί αποβάλλονται προς τα έξω μέσω ενός σωλήνα εκκένωσης που είναι στερεωμένος στη φλάντζα σύνδεσης.

ΠΡΟΣΟΧΗ! Εάν το προϊόν διαθέτει φίλτρο ή φίλτρα άνθρακα, τότε αυτά πρέπει να αφαιρούνται.

Συνδέστε το προϊόν σε σωλήνες και επιτοιχίες οπές εκκένωσης με διάμετρο ίση με εκείνη της εξόδου αέρα (φλάντζα σύνδεσης).

Η χρήση σωλήνων και επιτοιχιών οπών εκκένωσης με μικρότερη διάμετρο συνεπάγεται μείωση των επιδόσεων απορρόφησης καθώς και δραστική αύξηση του θορύβου.

Στην παραπάνω περίπτωση αποποιούμαστε οποιαδήποτε ευθύνη.

- Χρησιμοποιείτε αγωγό με όσο το δυνατό μικρότερο μήκος.
- Χρησιμοποιείτε αγωγό με όσο το δυνατό μικρότερο αριθμό καμπυλών (μέγιστη γωνία καμπύλης: 90°).
- Αποφύγετε σημαντικές αλλαγές στη διατομή του αγωγού.

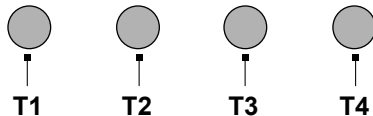
● Έκδοση Φιλτράρισματος:

Ο απορροφούμενος αέρας θα απολιπανθεί και θα αποσμηθεί προτού διοχετευτεί εκ νέου στον χώρο. Για να χρησιμοποιήσετε αυτή την έκδοση του προϊόντος είναι απαραίτητο να εγκαταστήσετε ένα πρόσθετο σύστημα φιλτράρισματος με ενεργούς άνθρακες.

■ ΣΥΝΑΡΜΟΛΟΓΗΣΗ ΑΡΧΙΚΗΣ ΕΓΚΑΤΑΣΤΑΣΗΣ

- Βεβαιωθείτε ότι το προϊόν που αγοράσατε έχει κατάλληλες διαστάσεις για το προεπιλεγμένο σημείο εγκατάστασης.
- Αφαιρέστε το φίλτρο ή τα φίλτρα ενεργού άνθρακα εάν παρέχονται (δείτε και τη σχετική παράγραφο).
- Η επανατοποθέτησή του/τους πρέπει να γίνεται μόνο εάν πρέπει να χρησιμοποιήσετε το προϊόν σε έκδοση φιλτράρισματος.
- Σε περίπτωση που υπάρχουν πλευρικά πάνελ ή/και τοίχοι ή/και ντουλάπια, βεβαιωθείτε ότι υπάρχει επαρκής χώρος για την εγκατάσταση του προϊόντος και ότι η πρόσβαση στον πίνακα ελέγχου μπορεί και γίνεται πάντα με ευκολία.
- Το προϊόν διαθέτει πείρους στερέωσης που είναι κατάλληλοι για την πλειοψηφία των τοίχων/οροφών. Ωστόσο, είναι απαραίτητο να συμβουλευέστε κάποιον εξειδικευμένο τεχνικό ώστε να επιβεβαιώνετε την καταλληλότητα των υλικών ανάλογα με τον τύπο του τοίχου/της οροφής. Ο τοίχος/η οροφή πρέπει να είναι αρκετά γερά ώστε να αντέχουν το βάρος του απορροφητήρα.

■ ΛΕΙΤΟΥΡΓΙΑ



T1. Διακόπτης φωτός ON/OFF.


T2. Διακόπτης ON/OFF και επιλογή ταχύτητας 1

T3. Επιλογή ταχύτητας 2

T4. Επιλογή ταχύτητας 3

■ ΠΡΟΕΙΔΟΠΟΙΗΣΕΙΣ ΓΙΑ ΤΗ ΣΥΝΤΗΡΗΣΗ

- **Καθαρισμός:** Για τον καθαρισμό χρησιμοποιείτε αποκλειστικά ένα βρεγμένο πανί με ουδέτερο υγρό σαπούνι. Μη χρησιμοποιείτε εργαλεία ή μηχανήματα για τον καθαρισμό.
- Αποφύγετε τη χρήση προϊόντων που περιέχουν λειαντικές ουσίες. ΜΗΝ ΧΡΗΣΙΜΟΠΟΙΕΙΤΕ ΟΙΝΟΠΝΕΥΜΑ!

 Για τη συντήρηση του προϊόντος δείτε τις εικόνες που ακολουθούν μετά την εγκατάσταση και που επισημαίνονται με αυτό το σύμβολο.

✂ **Φίλτρο Κατακράτησης Λίπους:** Το μεταλλικό φίλτρο κατακράτησης λίπους πρέπει να καθαρίζεται μια φορά το μήνα με μη επιθετικά καθαριστικά, στο χέρι ή σε πλυντήριο πιάτων σε χαμηλές θερμοκρασίες και στον σύντομο κύκλο. Για την αφαίρεση του φίλτρου λίπους τραβήξτε τη λαβή απασφάλισης με το ελατήριο.

• Το Φίλτρο κατακράτησης λίπους συγκρατεί τα σωματίδια λίπους που προέρχονται από το μαγείρεμα. Το μεταλλικό φίλτρο [κατακράτησης λιπαρών ουσιών] στην περίπτωση που μπει στο πλυντήριο πιάτων μπορεί να ξεβώσει. Παρ' όλα αυτά τα χαρακτηριστικά φιλτράρισμάς του παραμένουν αναλλοίωτα.

✂ **Φίλτρο άνθρακα (μόνο για έκδοση φιλτράρισματος):** Απαιτείται αντικατάσταση του φυσιγγίου κάθε τέσσερις μήνες το ανώτερο. ΔΕΝ πρέπει να πλένεται ή να αναγεννάται. Όπως υποδεικνύεται στην ενότητα με τα σχέδια: αφαιρέστε τα φίλτρα κατακράτησης λίπους, τοποθετήστε ένα φίλτρο άνθρακα ανά πλευρά και στερεώστε το στο προϊόν. Επανατοποθετήστε τα φίλτρα κατακράτησης λίπους.

• Το φίλτρο άνθρακα αιχμαλωτίζει τις δυσάρεστες οσμές που προέρχονται από το μαγείρεμα. • Ο κορεσμός του φίλτρου άνθρακα γίνεται ύστερα από γενικώς παρατεταμένη χρήση ανάλογα με τον τύπο κουζίνας και τη συχνότητα καθαρισμού του φίλτρου λίπους.

Φωτισμός

• Το σύστημα φωτισμού βασίζεται στην τεχνολογία LED. Τα LED εξασφαλίζουν βέλτιστο φωτισμό, με διάρκεια έως 10 φορές μεγαλύτερη από τους κλασικούς λαμπτήρες και επιτρέπουν την εξοικονόμηση του 90% της ηλεκτρικής ενέργειας.

• **Σύστημα Φωτισμού** : Το σύστημα φωτισμού δεν μπορεί να αντικατασταθεί από τον χρήστη, σε περίπτωση δυσλειτουργίας επικοινωνήστε με την υπηρεσία υποστήριξης.

SV


Produkten har skapats för utsugning av rök och ångor från matlagning och är endast avsedd för hushållsbruk.


Följ noga instruktionerna i denna handbok. Tillverkaren fransäger sig allt ansvar för eventuella olägenheter, skador eller bränder på produkten till följd av brist på efterlevnad av instruktionerna som återges i denna handbok.

Apparatens utseende kan skilja sig från illustrationen i ritningarna i denna handbok men alla anvisningar för användning, underhåll och installation förblir desamma.

• Det är viktigt att spara alla handböcker som medföljer produkten för att i varje moment kunna konsultera dem. Vid försäljning, avyttring eller förflyttning, se till att de förblir tillsammans med produkten. • Läs noga instruktionerna: de innehåller viktig information för installation, användning och säkerhet. • Verifiera att produkten är i fullgott skick innan installationen påbörjas. Kontakta i annat fall återförsäljaren innan installationen utförs.

■ ANMÄRKNINGAR

 : detaljer som är markerade med denna symbol kan köpas separat hos specialiserade återförsäljare.

 : detaljer som är markerade med denna symbol är valfria tillbehör som endast levereras på vissa modeller och kan köpas på webbsidorna www.elica.com och www.shop.elica.com.

■ SÄKERHET OCH FÖRORDNINGAR

ALLMÄN SÄKERHET

•Utför inga elektriska eller mekaniska variationer på produkten eller avledningsrören. Innan någon typ av rengörings- eller underhållsåtgärder utförs, ska produkten fränkopplas nätförsörjningen genom att kontakten dras ur eller huvudströmbrytaren kopplas från i bostaden. •Använd arbetshandskar för alla typer av installations- och underhållsmoment. •Produkten får användas av barn från 8 års ålder och av personer med nedsatt fysisk rörelseförmåga, sensorisk eller mental kapacitet, eller personer som saknar erfarenhet och kännedom om apparaten, under förutsättning att användandet övervakas

eller instruktioner ges angående ett säkert användande av apparaten samt att användaren är medveten om de risker som apparaten medför. • Barn måste kontrolleras så att de inte leker med produkten. • Rengöring och underhåll får endast utföras av barn om de är under uppsikt. •Lokalen måste ha tillräcklig ventilation, när den används samtidigt med andra apparater med förbränning av gas eller andra bränslen. - Apparaten ska rengöras regelbundet både invändigt och utvändigt (MINST EN GÅNG I MÅNADEN), iaktta i alla handlingar vad som uttryckligen anges i underhållsinstruktionerna. •Underlåtenhet att följa bestämmelser om rengöring av produkten och utbyte/ rengöring av filtren medför brandrisk. • Det är strängt förbjudet att laga mat på lågan under produkten. • OBSERVERA: När spishällen är i funktion kan åtkomliga delar av produkten bli varma. • Anslut inte produkten till elnätet förrän installationen är helt klar. • Vad gäller de tekniska åtgärder och säkerhetsåtgärder som ska vidtas för rökgasavledning ska bestämmelser som fastställts av lokala behöriga myndigheter strikt iakttas. • Frånluft får inte avledas i ett rör som används för avledning av rökgaser som produceras av apparater med gasförbränning eller andra bränslen. • Använd inte eller lämna inte produkten utan korrekt monterade lampor för att undvika risk för elstöt. • Produkten ska ALDRIG användas utan korrekt monterat galler. • Produkten ska ALDRIG användas som arbetsplan om det inte uttryckligen anges.

• För utbyte av lampan använd endast typen av lampa som indikeras i sektionen underhåll/belysningsssystem i denna handbok. • Användning av öppen låga är skadlig för filtren och kan ge upphov till brand och måste därför alltid undvikas. • Fritry ska göras under kontrollerade former för att undvika att den uppvarmda oljan fattar eld. • Konsultera vid tvekan auktoriserad kundtjänst eller liknande kvalificerad personal.

INSTALLATIONSSÄKERHET

•Använd fästskruvarna som medföljer produkten endast om de är lämpliga för ytan, köp annars av korrekt typ. Kontrollera att inget medföljande material (till exempel påsar med skruvar, garantihandlingar osv.) lämnats kvar i emballaget (av transportskäl). Avlägsna i så fall materialet och spara det. • VARNING: Det kan uppstå elektriska risker om skruvar och fixeringsanordningar inte installeras enligt dessa instruktioner. Avledningsröret medföljer inte och måste köpas. Avledningsrörets diameter ska vara likvärdig med kopplingsringens diameter. • För installation av produkten på spishällen beakta den höjd som indikeras på ritningarna • Det minimala avståndet mellan stödytan för behållarna på kokanordningen och den nedre delen av spiskåpan ska inte vara mindre än 50 cm i fall av elspisar och 65 cm i fall av gasspisar eller blandade. • Om instruktionerna för installation av gasspisanordningen specificerar ett större avstånd ska detta följas.

SÄKERHET FÖR ELANSLUTNING

• Nätspänningen ska motsvara den spänning som återges på skylten med egenskaper som sitter inuti produkten. • Om den har stickkontakt anslut produkten till ett uttag som motsvarar gällande förordningar som sitter på åtkomligt område även efter installationen. • Om den inte har stickkontakt (direkt anslutning till elnätet) eller stickkontakten inte sitter på åtkomligt område, även efter installationen, appliceras en standardenlig tvåpolig brytare som säkerställer fullständig frånkoppling från nätet i situationer med överspänning av kategori III, enligt installationsreglerna. • Produkten har en speciell nätkabel; Om kabeln skadas, beställs en ny från den tekniska kundtjänsten.

• **Varning!** Innan elnätet åter kopplas och det fungerar korrekt, kontrollera alltid att elkabeln monterats korrekt.

Obs! Använd inte med programmerare, timer, separat fjärrkontroll eller någon annan anordning som aktiveras automatiskt.

■ ANVÄNDNINGSFÖRSLAG

Förslag till en korrekt användning i syfte att reducera miljökonsekvenserna: När du börjar laga mat ska apparaten slås på och ställas på minimihastigheten. Lämna den dessutom på i ett par minuter efter att matlagningen har avslutats. Öka endast hastigheten i händelse av stora mängder rök och ånga, och använd endast boosterfunktionen i extrema fall. För att hålla luktreduktionssystemet effektivt ska kolfiltret/ kolfiltren bytas ut när så är nödvändigt. För att fettfiltret ska fungera effektivt ska det rengöras, om nödvändigt. För att optimera och reducera bullret till ett minimum, ska kanaliseringssystemets maximala diameter som indikeras i denna handbok användas.

■ BORTSKAFFNING VID LIVSCYKELNS SLUT



Denna apparat är märkt i överensstämmelse med Europadirektivet 2012/19/EG - UK SI 2013 Nr.3113, Avfall av elektrisk och elektronisk utrustning (WEEE). Se till att denna produkt bortskaffas på rätt sätt. Användaren bidrar till att förhindra potentiella negativa effekter för miljö och hälsa.

Symbolen på produkten, eller i medföljande dokumentation, visar att denna produkt inte får behandlas som vanligt hushållsavfall. Den ska i stället lämnas in på lämpligt uppsamlingscenter för återvinning av elektrisk och elektronisk utrustning. Produkten ska bortskaffas enligt lokala miljöbestämmelser för avfallshantering. För mer information om hantering, återanvändning och återvinning av denna produkt, var god kontakta lokala myndigheter, ortens hanteringstjänst för hushållsavfall eller butiken där produkten inhandlades.

■ FÖRORDNINGAR

Utrustningen är konstruerad, testad och tillverkar enligt säkerhetsförordningar: EN/IEC 60335-1; EN/IEC 60335-2-31, EN/IEC 62233. Prestanda: EN/IEC 61591; ISO 5167-1; ISO 5167-3; ISO 5168; EN/IEC 60704-1; EN/IEC 60704-2-13; EN/IEC 60704-3; ISO 3741; EN 50564; IEC 62301. EMC: EN 55014-1; CISPR 14-1; EN 55014-2; CISPR 14-2; EN/IEC 61000-3-2; EN/IEC 61000-3-3.

■ ANVÄNDNING

Frånluftssystemet kan användas i frånluftsversion med extern avledning eller filtrering med inre återcirkulation.

• Frånluftsversion:

Ångorna töms ur utåt genom en utsläppsslang som är fäst vid kopplingsflänsen.

Obs! Om produkten är försedd med kolfilter, ska detta/ dessa tas bort.

Anslut produkten till rör och hål för utsläpp på väggen med likvärdig diameter till luftutsläppet (kopplingsfläns).

Användning av rör och hål för utsläpp på väggen med en mindre diameter innebär en minskning av sugprestandan och en drastisk ökning av bullret.

Vi frånsäger oss allt ansvar vad beträffar detta.

- Använd en ledning som är minsta möjliga längd.
- Använd en ledning med så få böjningar som möjligt (max böjningsvinkel: 90°)
- Undvik drastiska ändringar i ledningens tvärsnitt.

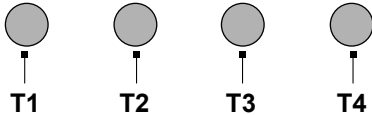
• Filtrande version:

Den sugna luften avfettas och desodoriseras innan den förs tillbaka i lokalen. För att använda produkten i denna version måste ett extra filteringsystem med aktiva kol installeras.

■ MONTERING AV FÖRSTA INSTALLATION

- Verifiera att den inköpta produktens dimensioner är lämpliga för den valda installationsplatsen.
- Ta bort de aktiva kolfiltren om de finns (se även berört avsnitt).
- Dessa monteras åter endast om du vill använda produkten i filtreringsversion.
- Om det finns paneler och/eller väggar och/eller sidoväggsskåp, verifiera att utrymmet är tillräckligt för att installera produkten och att det alltid går att komma åt styrpanelen lätt.
- Produkten har fästpluggar som passar för de flesta väggar/tak. Det är dock nödvändigt att fråga en kvalificerad tekniker för att säkerställa att materialen är lämpliga beroende på typen av vägg/tak. Väggen/taket ska vara tillräckligt stabil för att hålla kåpens vikt.

FUNKTION



- T1. ON/OFF-Strömbrytare för belysning.
- T2. Strömbrytare för OFF/Hastighet 1
- T3. Val av hastighet 2
- T4. Val av hastighet 3

ANVISNINGAR FÖR UNDERHÅLL

- Rengöring:** För rengöring använd endast en duk som fuktats med mildt flytande rengöringsmedel. Använd inte verktyg eller instrument för rengöring.
- Undvik användning av produkter som innehåller slipande medel. ANVÄND INTE RENGÖRINGSSPRIT!



Se bilderna som markerats med denna symbol för information om underhåll av produkten efter installationen.

✕ **A Avfettningfilter:** Det metalliska fettfiltret ska rengöras en gång i månaden med icke aggressiva rengöringsmedel, manuellt eller i diskmaskin vid låg temperatur och kort program. För att ta bort fettfiltret dras i handgreppet med fjäder för frigröring.

- Avfettningfiltret håller kvar fettpartiklar från matlagningen. Metallfettfiltret kan blekna vid diskning i diskmaskin men dess filtreringsegenskaper ändras inte alls.

✕ **B Kolfilter (endast för filtreringsversion):** Patronen måste bytas ut max var fjärde månad. Den får INTE tvättas eller regenereras. Såsom indikeras i ritningssektionen: ta bort fettfiltren, applicera ett kolfilter per sida och sätt fast på produkten. Sätt tillbaka fettfiltren.

- Kolfiltret håller kvar oangenäma lukter från matlagningen.
- Kolfiltrets mättnad verifieras efter en mer eller mindre lång användning beroende på typen av spis och hur ofta fettfiltren rengörs.

Belysning

- Belysningssystemet är baserat på LED-teknik. LED-lamporna garanterar en optimal belysning, med en varaktighet på mer än 10 gånger traditionella lampor och tillåter att spara 90 % av elenergin.

● **Belysningssystem :** Belysningssystemet kan inte bytas ut av användaren, kontakta kundtjänst vid fel funktion.

FI

Tuote on tarkoitettu ruoanlaitossa syntyvien savujen ja höyryjen imuun, ja se on tarkoitettu vain kotitalouskäyttöön.

Noudata tarkasti tässä ohjekirjassa annettuja ohjeita. Emme ole vastuussa mistään tuotteen aiheuttamista häiriöistä, vaurioista tai tulipaloista, joihin on syynä tämän ohjekirjan ohjeiden laiminlyönti.

Laite saattaa olla erinäköinen kuin käyttöohjeen kuvissa näkyvä malli. Käytön, asennuksen ja huollon ohjeet ovat kuitenkin samat.

- On tärkeää säilyttää kaikki tuotteen mukana toimitetut ohjekirjat, jotta niitä voidaan käyttää tarvittaessa. Mikäli laite myydään tai luovutetaan uudelle omistajalle tai jos laitteen käyttäjä muuttuu, on varmistettava, että ne kulkevat laitteen mukana. • Lue käyttöohjeet huolellisesti: ne sisältävät tärkeää tietoa laitteen asennuksesta, käytöstä ja turvallisuudesta. • Tarkista tuotteen eheys ennen asennusta. Jos laitteessa on viallisia osia, ota yhteyttä jälleenmyyjään ja keskeytä asennus.

HUOMAUTUKSET



osat, joissa on tämä symboli, voidaan ostaa erikseen erikoistuneista jälleenmyymälöistä.

*: osat, joissa on tämä symboli, ovat valinnaisia lisävarusteita, jotka toimitetaan vain joitakin malleja varten ja jotka voidaan ostaa sivustoilla www.elica.com ja www.shop.elica.com.

TURVALLISUUS JA MÄÄRÄYKSET

⚠ YLEINEN TURVALLISUUS

- Älä tee sähköisiä tai mekaanisia muutoksia tuotteeseen tai poistokanaviin. • Ennen huoltotoimenpiteiden aloittamista kytkä laite irti sähköverkosta irrottamalla pistoke tai kytkemällä huoneiston pääkatkaisin pois päältä. • Kaikkien asennuksen ja huoltoon liittyvien toimenpiteiden aikana suojaa kädet työkaluineilla. • Tuotteen käyttö on sallittu vähintään 8-vuotiaille lapsille ja sellaisille henkilöille, joiden fyysisen, aisteihin liittyvä tai henkinen toimintakyky on rajoittunut tai joilla ei ole kokemusta tai tietoa laitteen käytöstä sillä ehdolla, että heitä valvotaan ja opastetaan laitteen turvalliseen käyttöön liittyen ja että he tuntevat sen käyttöön liittyvät vaarat. • Lapsia tulee valvoa, etteivät he leikkisi tuotteella. • Lapset eivät saa suorittaa puhdistusta ja huoltoa ilman valvontaa. • Tilassa tulee olla riittävä tuuletus, kun tuotteen käyttöhetkellä käytetään myös muita laitteita, jotka toimivat kaasulla tai muilla polttoaineilla. • Tuote tulee puhdistaa usein sekä sisä- että ulkopuolelta (VÄHINTÄÄN KERRAN KUUKAUDESSA), noudattamalla joka tapauksessa huolto-ohjeessa nimenomaisesti annettuja aikoja. • Jos suodatinten vaihtoa/puhdistusta ja tuotteen puhdistusta koskevia ohjeita ei noudateta, vaarana on tulipalo. • On ehdottomasti kiellettyä valmistaa ruokia liekillä tuotteen alla • VAROITUS: Kun keittotas on toiminnossa, tuotteen näkyvissä olevat osat voivat kuumentua. • Älä liitä tuotetta sähköverkkoon ennen kuin asennus on suoritettu

kokonaan. • Mitä sovellettaviin teknisiin turvallisuusmääräyksiin tulee, noudata paikallisten pätevien viranomaisten antamia määräyksiä. • Imetty ilmaa ei saa ottaa kanavaan, jota käytetään kaasua tai muita polttoaineita käyttävien laitteiden savujen poistoon. • Älä käytä tuotetta tai jätä sitä siten, että sen lampuja ei ole asennettu oikein. Muuten olemassa on sähköiskun vaara. • Tuotetta ei tule KOSKAAN käyttää ilman oikeoppisesti asennettua rittiliä. • Tuotetta ei saa KOSKAAN käyttää laskutasona, ellei näin ole nimenomaisesti ilmoitettu.

• Kun vaihdat lampun, käytä vain lampun tyyppiä, joka on kerrottu tämän ohjekirjan huolto-/valaistusjärjestelmää koskevassa osiossa. • Avoliekin käyttö on vahingollista suodattimille ja voi aiheuttaa tulipaloja. Näin ollen sen käyttöön on vältettävä joka tapauksessa. • Friteerausta ja paistamista on valvottava jatkuvasti, jotta voidaan välttää ylikuumentuneen öljyn syttyminen. • Jos et ole varma jostakin, ota yhteys valtuutettuun huoltokeskukseen tai muuhun vastaavaan pätevään henkilökuntaa.

⚠️ ASENNUSTURVALLISUUS

• Käytä tuotteen mukana toimitettuja kiinnitysruuveja vain siinä tapauksessa, että ne sopivat pinnalle: jos näin ei ole, osta oikean tyyppisiä. Tarkista, että tuotteen sisään ei ole (kuljetuksesta johtuen) jäänyt pakkausmateriaaleja (kuten ruuveja sisältäviä kirjekuoria tai takuupapereita). Poista ne ja säilytä tarvittaessa. • VAROITUS: Jos ruuveja ja kiinnitystarvikkeita ei ole asennettu ohjeiden mukaisesti, olemassa on sähköiskun vaara. • Poistoputki ei kuulu toimitukseen: se on ostettava erikseen. • Poistoputken halkaisijan tulee olla kooltaan vähintään liitäntäputken liitosrenkaan halkaisijan kokoinen. • Tuotteen keittotasolle asentamiseksi noudata piirroksissa näytettyä korkeutta • Vähimmäisetäisyys kypsennyslaitteen päällä olevien astioiden alla olevan tason ja keittöön liesituuletinmatalimman osan välillä on 50 cm; jos liedot ovat sähköisiä; ja 65 cm kaasua tai muiden polttoaineiden yhdistelmäkäyttävien liesien tapauksessa. • Jos kaasua käyttävän kypsennyslaitteen asennusohjeissa annetaan suurempi etäisyys, tämä tulee ottaa huomioon.

⚠️ TURVALLISUUS SÄHKÖLIITÄNTÄÄ VARTEN

• Verkkojännitteen tulee vastata tuotteen sisällä olevassa arvokilvessä kerrottua jännitettä. • Jos on pistoke, liitä tuote pistorasiaan, joka vastaa voimassa olevia määräyksiä, paikkaan, joka on saatavilla myös asennuksen jälkeen. • Jos pistoketta ei ole (suora liitäntä verkkoon) tai jos pistoke ei ole paikassa, johon pääsisi helposti, laita (asennuksenkin jälkeen) määräysten mukainen kaksinäppäinen kytkin, joka takaa täydellisen verkon irtikytkemisen ylijännitekategorian III olosuhteissa asennusmääräysten mukaisesti. • Tuotteessa on erityinen virtajohto: jos johto vaurioituu, pyydä uutta teknisestä huoltopalvelusta.

• **Varoitus!** Tarkista aina, että virtajohto on asennettu oikealla tavalla ennen kuin yhdistät laitteen sähköverkkoon,

ja tarkista että se toimii oikein.

Varoitus! Älä käytä ohjelmointilaitteen, ajastimen, erillisen kauko-ohjaimen tai minkään muun automaattisesti aktivoituvan laitteen kanssa.

■ EHDOTUKSET KÄYTTÖÄ VARTEN

Neuvoja oikeaan käyttöön ympäristövaikutuksen vähentämiseksi: Kun aloitat ruokien kypsennyksen, käynnistä laite miniminopeudelle. Jätä se päälle vielä muutamaksi minuutiksi kypsennyksen jälkeen. Lisää nopeutta vain kun paikalla on suuri määrä savua ja höyryä: käytä booster-toimintoa vain ääritapauksissa. Vaihda tarvittaessa hiilisuodatin/suodattimet hajujen vähennysjärjestelmän tehokkuuden säilyttämiseksi. Jotta rasvasuodattimen tehokkuus säilyisi, puhdista se tarpeen vaatiessa. Tehokkuuden ja melutason vähentämiseksi käytä tässä ohjekirjassa osoitettua kanavoinnille tarkoitettua maksimaalista halkaisijaa.

■ HÄVITTÄMINEN KÄYTTÖIÄN PÄÄTTEEKSI

Tämä laite on merkitty Euroopan direktiivin 2012/19/EY mukaisesti - UK SI 2013 No.3113, Waste Electrical and Electronic Equipment (WEEE). Varmista, että tämä tuote hävitetään oikeoppisesti. Käyttäjä huolehtii siitä, että ympäristölle ja terveydelle ei koidu mahdollisia seurauksia.



Symboli tuotteessa tai tuotteen mukana toimitetuissa asiakirjoissa osoittaa, että tätä tuotetta ei tule käsitellä tavallisena kotitalousjätteenä vaan se tulee toimittaa sopivaan keräyspisteeseen, jossa sähkö- ja elektroniikkalaitteet kierrätetään. Hävitä laite noudattamalla paikkakuntasi jätehuoltoä koskevia säännöksiä. Jos tahdot lisätietoja laitteen keräyksestä, käsittelystä ja kierrätyksestä, ota yhteys paikkakuntasi jätehuoltoon, talousjätteiden keräyspisteeseen tai liikkeeseen, josta laite on hankittu.

■ MÄÄRÄYKSET

Laite on suunniteltu, testattu ja valmistettu seuraavien turvallisuusmääräysten mukaisesti: EN/IEC 60335-1; EN/IEC 60335-2-31; EN/IEC 62233. Suorituskyky: EN/IEC 61591; ISO 5167-1; ISO 5167-3; ISO 5168; EN/IEC 60704-1; EN/IEC 60704-2-13; EN/IEC 60704-3; ISO 3741; EN 50564; IEC 62301. EMC: EN 55014-1; CISPR 14-1; EN 55014-2; CISPR 14-2; EN/IEC 61000-3-2; EN/IEC 61000-3-3.

■ KÄYTTÖ

Imujärjestelmää voidaan käyttää imevän mallina, joka poistaa imetyn ilman ulos, tai suodattavana ilmankiertojärjestelmänä.



• **Imevä malli:**

Höyryt poistetaan ulospäin liitoslaippaan kiinnitetyyn poistoputken välityksellä.

VAROITUS! Jos tuotteessa on yksi tai useampi

hiilisuodatin, se tulee poistaa.

Liitä tuote putkiin ja seinässä oleviin poistoaukkoihin, joiden halkaisija vastaa ilman ulostuloa (liitoslaippa).

Jos käytetään halkaisijaltaan pienempiä putkia ja seinässä olevia poistoaukkoja, imukyky heikkenee ja melu lisääntyy huomattavasti.

Näin ollen kaikki siihen liittyvä vastuu hylätään.

- Käytä mahdollisimman lyhyttä putkea.
- Käytä putkea, jossa on mahdollisimman vähän käänteitä (käänteen maksimi kulma: 90°).
- Vältä äkillisiä muutoksia putken halkaisijassa.

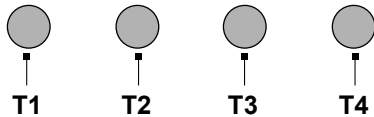
🏠 Suodattava malli:

Imuilman rasva ja haju poistetaan ennen kuin se ohjataan takaisin huoneeseen. Jotta tuotetta voidaan käyttää tässä versiossa, aktiivihiilipohjainen lisäsuodatusjärjestelmä tulee asentaa.

■ KOKOONPANO ENSIMMÄISELLÄ ASENNUSKERRALLA

- Tarkista ennen asennuksen aloittamista, että ostamasi tuote sopii sille varattuun tilaan.
- Poista yksi tai useampi aktiivihiilisuodatin, jos kuuluu toimitukseen (katso myös vastaava kappale).
- Se tulee asentaa takaisin vain, jos tuotetta halutaan käyttää suodatusversiossa.
- Jos paikalla on paneeleja ja/tai seinä ja/tai sivuhyllyjä, tarkista, että tuotteelle on riittävästi asennustilaa ja että ohjauspaneeliin pääsee aina helposti käsiksi.
- Tuote on varustettu kiinnitystulpilla, jotka sopivat useimpiin seinini/kattoihin. Ota kuitenkin yhteyttä pätevään teknikkoon varmistaaksesi siitä, että käytät seinän/katon tyyppiin soveltuvia materiaaleja. Seinän/katon tulee olla riittävän vanka liesituulettimen painon kannatteluun.

■ TOIMINTA



- T1. ON/OFF valokatkaisija
T2. OFF katkaisija/nopeus 1
T3. Nopeuden 2 valitsin
T4. Nopeuden 3 valitsin

■ HUOLTO-OHJEET

- **Puhdistus:** Puhdistusta varten käytä yksinomaan neutraaleihin pesuaineisiin kostutettua liinaa. Älä käytä työkaluja tai välineitä puhdistukseen.
- Vältä hankaavien tuotteiden käyttöä. **ÄLÄ KÄYTÄ ALKOHOLIA!**



Tuotteen huoltoa varten tutustu valmiin asennuksen kuviin, joissa on tämä symboli.

✂️ **Rasvasuodatin:** Metallinen rasvasuodatin tulee puhdistaa kerran kuussa ei-voimakkailla pesuaineilla käsin tai astianpesukoneessa alhaisella lämpötilassa ja lyhyellä ohjelmalla. Rasvasuodattimen purkamiseksi vedä jousella varustetusta vapautuskahvasta.

• Rasvasuodatin ottaa talteen ruoanvalmistuksessa syntyvät rasvahiukkaset. Kun pesu suoritetaan astianpesukoneessa, metallisen rasvasuodattimen väri voi haalistua, mutta se suodatusominaisuudet eivät muutu millään tavoin.

✂️ **Hiilisuodatin (vain suodattava versio):** Patruuna tulee vaihtaa viimeistään neljän kuukauden välein. Sitä ei voi pestä tai rigeneroida. Toimi piirrosten osiassa näytetyllä tavalla: poista rasvasuodattimet, laita yksi hiilisuodatin kullekin puolelle ja kiinnitä se tuotteeseen. Laita rasvasuodattimet takaisin.

• Hiilisuodatin ottaa talteen ruoanvalmistuksessa syntyvät epämiellyttävät hajut. • Hiilisuodattimen kyllästyminen tapahtuu keittiötyypin ja rasvasuodattimen puhdistusvälin perusteella enemmän tai vähemmän pitkän käytön päätteeksi.

Valaistus

Valaistusjärjestelmä perustuu LED-tekniikkaan. LED-valot takaavat optimaalisen valaistuksen ja jopa 10 kertaa pidemmän keston perinteisiin lampuihin verrattuna, minkä lisäksi ne auttavat säästämään 90 % sähköä.

• **Valaistusjärjestelmä :** Käyttäjä ei voi vaihtaa valaistusjärjestelmää. Jos siihen tulee toimintahäiriöitä, ota yhteyttä valtuutettuun huoltoon.

NO

Produktet er utviklet for avtrekk av røyk og damp fra matlaging og er kun ment til hjemmebruk.

Følg alle instruksjonene som er oppført i denne håndboken nøye. Vi fraskriver oss ethvert ansvar for uregelmessigheter, skader eller brann forårsaket av produktet som følge av manglende etterfølgelse av instruksjonene i denne håndboken.

Apparatet kan inneha estetiske egenskaper som avviker fra illustrasjonene i denne håndboken, men instruksjonene angående bruk, vedlikehold og installasjon vil fortsatt forbli de samme.

• Det er viktig å ta vare på alle håndbøkene som medfølger produktet, slik at disse kan konsulteres til enhver tid. Sørg for at de følger med produktet hvis det selges eller overføres. • Les instruksjonene nøye. De inneholder viktig informasjon angående installasjon, bruk og sikkerhet. • Kontroller helheten til produktet før installasjonen startes. Hvis dette ikke er tilfelle, stopp installasjonen og ta kontakt med selger.

■ MERK



Deler merket med dette symbolet kan kjøpes separat hos spesialiserte forhandlere.



Deler merket med dette symbolet er tilleggsutstyr som kun medfølger på visse modeller og kan kjøpes direkte fra sidene www.elica.com og www.shop.elica.com.

■ SIKKERHET OG FORSKRIFTER

⚠ GENERELL SIKKERHET

•Ikke foreta endringer av elektrisk eller mekanisk art på produktet eller avtrekkskanalene. •Før man utfører rengjøring eller vedlikehold må man koble produktet fra strømmettet ved å dra ut støpslet eller eventuelt koble fra hovedbryteren. •For alle installasjoner og vedlikeholdsinngrep må man anvende arbeidshansker. •Apparatet kan anvendes av barn over 8 års alder og av personer med nedsatt fysisk, sanselig eller mental funksjonsevne, samt personer uten erfaring eller med manglende kunnskap, gitt at disse holdes under oppsyn eller har vært gjenstand for opplæring i sikker bruk av apparatet, og innehar forståelse for de farer og risikoer som er forbundet med bruken av dette. •Barn må kontrolleres slik at de ikke leker med produktet. •Rengjøring og vedlikehold må ikke utføres av barn hvis disse ikke holdes under oppsyn. •Lokalet må være utstyrt med en tilstrekkelig ventilasjon når produktet brukes samtidig med andre apparater som forbrenner gass eller andre typer brennstoffer. •Produktet må rengjøres regelmessig både innvendig og utvendig (MINST EN GANG I MÅNEDEN) og alltid i samsvar med det som er blitt uttrykkelig oppgitt i vedlikeholdsinstruksjonene. •Manglende etterfølgelse av standardene for rengjøring av produktet og skifte/rengjøring av filter medfører risiko for antennelser. •Det er strengt forbudt å tilberede mat med åpne flammer under produktet. •OBS: •Når platetoppen er i bruk kan delene på produktet som er tilgjengelige for brukeren bli varme. •Ikke koble produktet til strømmettet før installasjonen er helt fullført. •Hva angår tekniske og sikkerhetsmessige forholdsregler som må tas i forbindelse med avtrekk av røyk og matos, henvises det til lovgivning og regelverk fra lokale myndigheter. •Luft som trekkes ut må ikke føres i rør som brukes til å tømme røyk fra gassdrevne eller brennstoffbaserte apparater. •Ikke bruk eller etterlat produktet uten tilsyn hvis lampene ikke er korrekt montert. Dette kan medføre risiko for elektriske støt. •Produktet må ALDRI brukes uten risten korrekt montert. •Produktet må ALDRI brukes som hvile- eller kontaktflate hvis dette ikke er uttrykkelig oppgitt.

• For utskifting av lyspærer bes man utelukkende bruke den type lyspære som er gjengitt i delen som tar for seg vedlikehold / lysanlegg i denne håndboken. • Åpne flammer

er skadelige for filterne og kan medføre antennelser. Dette må derfor alltid unngås. • Frityrsteking må gjøres med største forsiktighet, slik at ikke den varme oljen antennes. • Hvis det oppstår tvil bes man kontakte autorisert service eller tilsvarende kvalifisert personell.

⚠ INSTALLASJONSSIKKERHET

•Bruk festeskruene som medfølger produktet kun hvis de er egnet for den aktuelle forankringsflaten, eller gå til innkjøp av korrekt type. Av transporthensyn må det kontrolleres at det ikke finnes restmateriale inne i emballasjen (for eksempel poser med skruer, garantibevis, osv.). Disse må eventuelt fjernes og tas vare på. • ADVARSEL: Manglende installasjon av skruer og festeanordninger i samsvar med disse instruksjonene kan føre til elektriske farer. • Avgassrøret medfølger ikke, men må kjøpes separat. • Diameteren på avtrekksrøret må tilsvare diameteren på koblingsringen. • Når produktet installeres må man forholde seg til høydeangivelsene som er oppgitt i tegningen • Minstehøyde mellom overflaten på platetoppen og ned nederste delen av kjøkkenviften må ikke være mindre enn 50 cm på elektriske versjoner og 65 cm på gass- eller blandingsversjoner. • Hvis installasjonsanvisningene til gassdrevne versjoner oppgir en større avstand må man forholde seg til dette.

⚠ SIKKERHET VED ELEKTRISK TILKOBLING

•Nettspenningen må samsvare med spenningsverdien som er oppgitt på merkeskiltet på innsiden av produktet. •Hvis produktet er utstyrt med strømplugg kobles det til strømuttak som samsvarer med gjeldende standarder og er tilgjengelig også etter installasjon. • Hvis produktet ikke er utstyrt med strømplugg (direkte tilkobling til strømmett) eller pluggen ikke befinner seg på et lett tilgjengelig sted, også etter installasjon, må det settes på en topolet bryter som sikrer fullstendig utkobling tilsvarende overspenningskategori III, i henhold til installasjonsregler. • Produktet er utstyrt med en spesiell strømkabel. Hvis denne blir skadet må man kontakte kundeservice for å bestille ny. • **OBS!** Før kretsen kobles til nettstrømmen igjen, må man kontrollere at den fungerer riktig og at forsyningsledningen er riktig montert.

Vær oppmerksom! Ikke bruk med programmeringsenhet, timer, separat fjernkontroll eller enhver annen type enhet som aktiveres automatisk.

■ BRUKSANBEFALINGER

Anbefalinger for korrekt bruk og reduksjon av miljøbelastning: Når man begynner å tilberede mat anbefales det å starte opp apparatet ved laveste hastighet. La det stå på noen minutter også etter at man er ferdig. Man kan øke effekten hvis det skapes store mengder røyk og damp. Bruk booster-funksjonen kun i ekstreme tilfeller. For at luftfjernerer skal fungere optimalt anbefales det å bytte karbonfilter ved behov. For at fettfilter skal beholde

sein ytelse må de rengjøres ved behov. For å oppnå optimal ytelse og redusere støynivået bes man bruke maksimal diameter i rørsystemet som er gjengitt i denne håndboken.

■ KASSERING VED ENDT LIVSSYKLUS



Dette apparatet er blitt merket i samsvar med 2012/19/EC - UK SI 2013 Nr.3113, WEEE-direktivet (Waste Electrical and Electronic Equipment). Ved å se til at dette produktet kasseres på korrekt måte, hjelper brukeren til med å unngå potensielle negative konsekvenser for miljø og helse.

Symbolet på produktet eller på dokumentasjonen som følger med dette, indikerer at det ikke må kastes sammen med vanlig husholdningsavfall, men leveres inn til en miljøstasjon eller returpunkt som tar seg av gjenvinning av elektrisk og elektronisk avfall. Kast apparatet i overensstemmelse med lokale regler for eliminering av avfall. For ytterligere informasjon om behandling og gjenvinning av dette produktet, vennligst ta kontakt med lokale myndigheter, en gjenvinningsstasjon, eller butikken hvor produktet ble kjøpt.

■ FORSKRIFTER

Apparatet er blitt utformet, testet og produsert i henhold til gjeldende sikkerhetsstandarder: EN/IEC 60335-1, EN/IEC 60335-2-31, EN/IEC 62233. Ytelse: EN/IEC 61591, ISO 5167-1, ISO 5167-3, ISO 5168, EN/IEC 60704-1, EN/IEC 60704-2-13, EN/IEC 60704-3, ISO 3741, EN 50564, IEC 62301. EMC: EN 55014-1, CISPR 14-1, EN 55014-2, CISPR 14-2, EN/IEC 61000-3-2, EN/IEC 61000-3-3.

■ BRUK

Avtrekket kan brukes både med ekstern avtrekksfunksjon eller med filtreringsfunksjon med intern resirkulering.

● Avtrekksversjon:

Damp og matos trekkes ut via et avtrekksrør som er festet til koblingsflensen.

VÆR OPPMERKSOM! Hvis produktet er utstyrt med karbonfilter(e) må disse fjernes.

Koble produktet til rør og avtrekkskull med diameter tilsvarende luftutløpet (koblingsflensen).

Bruk av rør og avtrekkskull med mindre diameter vil føre til en reduksjon av avtrekkskapasiteten og en betrakkelig økning av støynivået.

Vi fraskriver oss derfor alt ansvar

- Bruk en rørrkanal som er så kort som mulig.
- Bruk en rørrkanal med så få bøyger som mulig (maksimal kurve: 90°).
- Man må ikke ha variasjoner i tverrsnittet.

● Filterversjon:

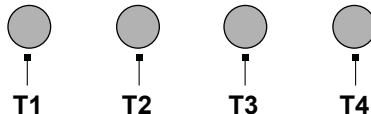
Luften som trekkes ut vil avfettes og fjernes for lukt før den sendes tilbake i rommet. For å bruke produktet i denne

versjonen må det installeres et ekstra filtreringssystem med aktivt karbon.

■ MONTERING FØR INSTALLASJON

- Kontroller at størrelsen på produktet man har kjøpt er egnet for stedet hvor det ønskes installert.
- Fjern filtrene med aktivt karbon hvis dette medfølger (se også det relevante avsnittet).
- Disse må settes tilbake på plass hvis produktet skal brukes i filtreringsversjon.
- Hvis det finnes panel(er) og/eller vegger og/eller sideskap, må man kontrollere at det er tilstrekkelig plass for installering av produktet og at man har enkel tilgang til betjeningspanelet.
- Produktet er utstyrt med et hengsel som passer til de fleste typer vegger/tak. Det er uansett nødvendig å kontakte en kvalifisert tekniker som kan kontrollere at materialene er egnet for den aktuelle typen vegg/tak. Veggen/taket må være robust nok til å holde vekten til avtrekkskshetten.

■ DRIFTSFUNKSJON



- T1. Lysbryter ON/OFF.
 T2. Bryter OFF/hastighet 1
 T3. Hastighetsvelger 2
 T4. Hastighetsvelger 3

■ VEDLIKEHOLDSADVARSLER

- **Rengjøring:** I forbindelse med rengjøring må man kun bruke en fuktig klut med skånsomt vaskemiddel. Ikke bruk instrumenter eller annet vaskeutstyr til rengjøring.
- Ikke bruk slipende produkter. IKKE BRUK SPRIT!



For vedlikehold av dette produktet henvises det til bildene på slutten av installasjonen avmerket med dette symbolet.

✘ A Fettfilter: Fettfilteret i metall må rengjøres en gang i måneden med skånsomme vaskemidler, gjøres manuelt, eller i oppvaskmaskin ved lav temperatur eller kort syklus. For å demontere fettfilteret må man dra i den fjærbelastede spaken.

• Fettfilteret absorberer fettpartiklene som kommer fra stekingen. Hvis det brukes oppvaskmaskin kan det hende at fettfilteret i metall mister fargen. Dette betyr dog ikke at filteret mister sine egenskaper.

✘ B Karbonfilter (kun for filtreringsversjon): Filterpatronen må skiftes ut minst hver fjerde måned. Den

kan IKKE renses eller regenereres. Som forklart i tegningsdelen: Fjern fettfilterne, sett inn karbonfilter på hver side og fest til produktet igjen. Sett fettfilterne på plass.

• Karbonfilteret absorberer vond lukt som kommer fra steking. • Karbonfilteret mettes etter en lang- eller kortvarig bruk avhengig av type kjøkken og regelmessigheten i rengjøringen av fettfilteret.

Belysning

• Lysanlegget er basert på LED-teknologi. LED-lamper gir optimal belysning med opptil 10 ganger lengre varighet i forhold til tradisjonelle lyspærer og gjør det mulig å oppnå 90% strømbesparelse.

● **Lysanlegg**: Lysanlegget kan ikke skiftes ut av brukeren. Hvis det oppstår feilfunksjoner bes man kontakte kundeservice.

DA


Produktet er designet til udsugning af mados og dampe og er kun beregnet til husholdningsbrug.


Anvisningerne i denne manual skal nøje overholdes. Vi fralægger os ethvert ansvar for gener, skader eller brand forårsaget af produktet som følge af manglende overholdelse af instruktionerne i denne manual.

Apparatet kan have et andet udseende end modellen, der er vist på tegningerne i denne vejledning. Vejledningen til brug, vedligeholdelse og installation er dog uændret.

• Det er vigtigt at opbevare alle manualer, der følger med produktet, for at kunne konsultere dem til enhver tid. I tilfælde af salg, overdragelse eller flytning skal du sørge for, at de bliver sammen med produktet. • Læs manualen omhyggeligt: der er vigtige oplysninger om installation, brug og sikkerhed. • Kontroller produktets integritet, før du fortsætter med installationen. I tilfælde af defekte dele skal du rette henvendelse til forhandleren og afbryde installationen.

■ BEMÆRK

 Genstande markeret med dette symbol kan købes separat hos specialforhandlerne.

 Genstande markeret med dette symbol er ekstraudstyr, som kun er tilgængeligt for nogle modeller. De kan købes på webstederne www.elica.com og www.shop.elica.com.

■ SIKKERHED OG FORSKRIFTER

▲ GENERELLE BEMÆRKNINGER OM SIKKERHED

• Udfør aldrig elektriske eller mekaniske ændringer ved produktet eller afgangskanalerne. • Før et hvilket som helst rengørings- eller vedligeholdelsesindgreb skal apparatets

strømforsyning afbrydes ved at trække stikket ud eller ved at frakoble boligens hovedafbryder. • Anvend arbejdshandsker til alle installations- og vedligeholdelsesindgreb. • Børn over 8 år og personer med nedsatte fysiske, sensoriske eller mentale evner eller uden den nødvendige erfaring og viden må kun bruge apparatet, hvis de er under opsyn eller forinden har modtaget instruktioner i sikker brug af apparatet og har forstået farene, som brugen af apparatet indebærer. • Børn skal være under opsyn for at sikre, at de ikke leger med produktet. • Rengøring og vedligeholdelse må ikke udføres af børn uden opsyn. • Rummet skal være tilstrækkelig udluftet, når produktet er i funktion samtidig med andre apparater, der forbrænder gas eller andet brændstof. • Produktet skal rengøres hyppigt både indvendigt og udvendigt (MINDST ÉN GANG OM MÅNE DEN). Følge altid de specifikke instruktioner for vedligeholdelse. • Manglende overholdelse af instruktionerne for rengøring af produktet og udskiftning/rengøring af filtre medfører kan forårsage brandfare. • Det er strengt forbudt at flambere mad under produktet. • PAS PÅ: Når kogepladen er i brug, kan de tilgængelige dele på produktet blive varme. • Tilslut ikke produktet til fastnettet, før installationen er gennemført. • Overhold nøje lokale bestemmelser med hensyn til de tekniske og sikkerhedsmæssige forholdsregler, der skal træffes ved udledning af røgen. • Den udsugede luft må ikke ledes til en kanal, der også anvendes til udledning af røg fra forbrændingsapparater, der drives af gas eller af andre brændstoffer. • Brug eller efterlad ikke produktet uden korrekt monterede lamper på grund af faren for elektrisk stød. • Produktet må ALDRIG bruges uden en korrekt monteret rist. • Produktet må ALDRIG bruges som en støtteflade, medmindre det udtrykkeligt er angivet.

• Når du udskifter lampen, må du kun bruge den lampetype, der er angivet i afsnittet om vedligeholdelse/belysningssystem i denne manual. • Brugen af åben ild er skadeligt for filterne og kan forårsage brand og skal derfor altid undgås. • Friturestegning må kun udføres under opsyn for at undgå, at den overophedede olie bryder i brand. • Hvis du er i tvivl, skal du kontakte det autoriserede servicecenter eller lignende kvalificeret personale.

▲ SIKKERHED VED INSTALLATION

• Brug kun de medfølgende monteringskruer, hvis de er egnede til overfladen. Hvis dette ikke er tilfældet, er det nødvendigt at anskaffe passende kruer. • Kontrollér produktet indvendigt for at sikre, at der ikke gemmer sig tilbehør (f.eks. poser med kruer, garantibevis osv.), som kan være faldet ud under transporten. Tag det i så fald ud, og læg det til side. • ADVARSEL: Manglende installation af kruer og fastgøringsanordninger i overensstemmelse med disse anvisninger kan udgøre en fare for elektrisk stød. • Aftræksrøret medfølger ikke og skal anskaffes. • Aftræksrørets diameter skal svare til forbindelsesringens diameter. • Installationen af produktet over kogepladen skal være i overensstemmelse med højden, som er angivet på

tegningerne • Minimumsafstanden mellem kogepladens overflade og emhættens laveste del må ikke være under 50 cm ved elektriske kogeplader og 65 cm ved kogeplader med både el og gas. • Hvis kogepladens brugsanvisninger angiver en større afstand, skal denne overholdes.

SIKKERHED VED ELEKTRISK TILSLUTNING

• Nætspændingen skal svare til den spænding, der er angivet på produktets mærkeplade, som er placeret inde i produktet. • Hvis produktet er udstyret med et stik, skal det tilsluttes en stikkontakt, der overholder de gældende standarder. Stikkontakten skal være let tilgængelig, også efter installationen. • Hvis der ikke er noget stik (direkte forbindelse til fastnettet), eller hvis stikket ikke er placeret i et tilgængeligt område, selv efter installationen, er det nødvendigt at bruge en standardmæssige bipolær afbryder, der sikrer fuldstændig afbrydelse fra fastnettet. Stikket skal være i overspændingskategori III og i overensstemmelse med installationsreglerne. • Produktet er udstyret med et specielt strømkabel. Hvis kablet er beskadiget, er det nødvendigt at tilkalde den tekniske assistance.

• **Advarsel!** Inden strømforsyningen tilsluttes for at kontrollere, at apparatet fungerer korrekt, skal det altid kontrolleres, at strømforsyningskablet er korrekt installeret.

Advarsel! Må ikke bruges sammen med en programmør, timer, separat fjernbetjening eller anden enhed, der aktiveres automatisk.

■ FORSLAG TIL ANVENDELSE

Forslag til korrekt anvendelse med reduceret miljøbelastning: Tænd for apparatet på minimumshastighed, når du starter stegningen. Lad den være tændt i nogle minutter, også efter at stegningen er færdig. Øg kun hastigheden, hvis der er store røg- eller dampmængder, og anvend kun booster-funktionen i de tilfælde, hvor det er strengt nødvendigt. Udskift filteret/kulfilterne, når det er nødvendigt for at sikre, at systemet, som reducerer lugt, altid er effektivt. Af hensyn til fedtfilterets effektive funktion, skal det altid gøres rent, når det er nødvendigt. Anvend den maksimalt tilladte rørdiameter, der er anført i manualen, for at optimere effektiviteten og minimere støjen fra rørgkanalen.

■ BORTSKAFFELSE VED ENDT LEVETID

Dette apparat er mærket i overensstemmelse med det europæiske direktiv 2012/19/EU - UK SI 2013 Nr. 3113, om affald af elektrisk og elektronisk udstyr (WEEE). Sørg for, at produktet bortskaffes korrekt. Gennem en korrekt bortskaffelse bidrager brugeren til at beskytte miljøet og sundheden.



Symboler med skraldespanden, der er anført på produktet eller i den medfølgende dokumentation, angiver, at dette produkt ikke må bortskaffes sammen med usorteret husholdningsaffald. Det skal indsamles bortskaffes gennem et af indsamlingspunkterne til genbrug af elektrisk og

elektronisk udstyr. Produktet skal derfor bortskaffes i henhold til de lokale bestemmelser vedrørende bortskaffelse af affald. Yderligere oplysninger angående håndtering, genvinding og genbrug af dette produkt kan fås ved at rette henvendelse til bopælskommunens tekniske forvaltning, til genbrugsstationerne eller til butikken, der har solgt produktet.

■ LOVREGULERING

Apparatet designet, afprøvet og konstrueret i overensstemmelse med sikkerhedsbestemmelserne i: EN/IEC 60335-1; EN/IEC 60335-2- 31, EN/IEC 62233. Ydeevne: EN/IEC 61591; ISO 5167-1; ISO 5167-3; ISO 5168; EN/IEC 60704-1; EN/IEC 60704-2-13; EN/IEC 60704-3; ISO 3741; EN 50564; IEC 62301. EMC: EN 55014-1; CISPR 14-1; EN 55014-2; CISPR 14-2; EN/IEC 61000-3-2; EN/IEC 61000-3-3.

■ BRUG

Udsugningssystemet kan enten bruges som udsugning med udledning af luften fra rummet eller med recirkulation af rumluften med filtrering.

•  **Udsugningsudgave:**

Dampene evakueres til ydersiden gennem et udstødningsrør, der er fastgjort til koblingsflangen.

OBS! Hvis produktet er udstyret med kulfilter/tre, skal dette fjernes.

Udsugningssystemet tilsluttes rørgkanal og åbning i væggen med en diameter, der svarer til luftafgangen (koblingsflange).

Brug af rør og udgang i væggen med mindre diameter vil medføre en forringet sugeevne og en betydelig stigning i støjniveauet.

Af denne grund påtages der intet ansvar i denne forbindelse.

- Anvend en kanal, der er så kort, som muligt.
- Anvend en kanal med det mindst tilladelige antal bøjninger (bøjningens maksimale vinkel: 90°).
- Undgå vigtige ændringer på kanalens snit.

•  **Filtrerende udgave:**

Den opsugete luft vil blive affedt og deodoriseret, før den returneres til rummet. For at bruge produktet i denne version er det nødvendigt at installere et ekstra filtreringssystem baseret på aktivt kul.

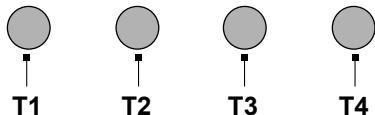
■ MONTERING FØRSTE INSTALLATION

- Kontrollér, om det købte produkt har en passende størrelse til det valgte installationssted.
- Fjern det eller de aktive kulfiltere, hvis de medfølger (se også det tilhørende afsnit).
- Denne/disse skal kun samles igen, hvis du ønsker at bruge produktet i filtreringsversionen.
- Hvis der er sidepaneler og/eller vægge og/eller

vægenheder, skal du kontrollere, at der er tilstrækkelig plads til at installere produktet, og at det altid er nemt at få adgang til kontrolpanelet.

- Produktet er udstyret med fastgørelsespropper, der passer til de fleste vægge/lofter. Det er dog nødvendigt at kontakte en kvalificeret tekniker for at fastslå materiales egnethed i henhold til typen af væg/loft. Væggen/loftet skal være stærk nok til at bære emhættens vægt.


■ DRIFT



- T1. Lyskontakt ON/OFF.
- T2. OFF-kontakt/hastighed 1
- T3. Valg af hastighed 2
- T4. Valg af hastighed 3

■ VEDLIGEHOLDELSESINSTRUKTIONER

- **Rengøring:** Anvend UDELUKKENDE en fugtig klud med flydende neutrale rengøringsmidler til rengøringen. Brug ikke værktøj eller redskaber til rengøringen.
- Undgå brug af produkter, der indeholder slibemidler. **UNDGÅ BRUG AF SPRIT!**

 For vedligeholdelse af produktet se billederne i slutningen af installationen, der er markeret med dette symbol.

• **✂️ A Fedtfilter:** Fedtfilteret i metal skal gøres rent hver måned med milde rengøringsmidler. Rengøringen kan udføres med håndkraft eller i opvaskemaskinen ved lave temperaturer og kort vaskecyklus. Træk i fjedergrebet for at fjerne fedtfilteret.

• Fedtfilteret tilbageholder fedtpartiklerne fra madlavningen. Ved vask i opvaskemaskine, risikerer fedtfilteret at blive misfarvet, men dette vil ikke forringe dets filtrerende egenskaber.

• **✂️ B Kulfilter (kun til filterversion):** Det er nødvendigt at udskifte patronen mindst hver fjerde måned. Den kan IKKE vaskes eller regenereres. Som angivet i afsnittet på tegningen: Fjern fedtfilterene, anbring et kulfilter på siden, og sæt det fast i produktet. Sæt fedtfilterene på plads igen.

• Kulfilteret bevarer ubehagelige madlugte. • Efter kortere eller længere tids brug afhængigt af den type mad, der tilberedes, og hyppigheden af rengøring af fedtfilteret, er det nødvendigt at udskifte fedtfilteret.

Belysning

• Lyssystemet er baseret på LED-teknologi. LED'erne garanterer optimal belysning, med en varighed op til 10 gange længere end traditionelle lamper og giver dig mulighed for at spare 90 % af elektriciteten.

• **Belysningssystem** : Belysningssystemet kan ikke udskiftes af brugeren, kontakt servicecenteret i tilfælde af funktionsfejl.

PL


Produktet zostało zaprojektowane do odciągania oparów kuchennych i jest przeznaczone wyłącznie do użytku domowego.

Dokładnie stosować się do wskazówek zawartych w niniejszej instrukcji. Nie ponosimy odpowiedzialności za jakiegokolwiek nieprawidłowości, uszkodzenia lub pożar produktu powstałe w wyniku nieprzestrzegania wskazówek zawartych w niniejszej instrukcji.

Urządzenie może się różnić od modelu wskazanego na rysunkach znajdujących się w niniejszej dokumentacji. Mimo to, instrukcje obsługi, konserwacji oraz montażu pozostają te same.

- Należy zachować wszystkie instrukcje obsługi dołączone do produktu, aby w każdej chwili móc z nich skorzystać. W przypadku sprzedaży, przekazania lub przeniesienia, upewnij się, że instrukcja będzie towarzyszyć produktowi.
- Uważnie przeczytać instrukcje: znajdują się w nich ważne informacje na temat montażu, użytkowania oraz bezpieczeństwa.
- Przed przystąpieniem do montażu, sprawdzić integralność produktu. W przeciwnym wypadku, przetrwać montaż i skontaktować się ze sprzedawcą.

■ UWAGI

 części oznaczone tym symbolem można nabyć oddzielnie u wyspecjalizowanych sprzedawców.

* części oznaczone tym symbolem są akcesoriami opcjonalnymi, dostarczonymi tylko do niektórych modeli i mogą zakupić na stronach internetowych www.elica.com i www.shop.elica.com.

■ BEZPIECZEŃSTWO I PRZEPISY

⚠️ BEZPIECZEŃSTWO OGÓLNE

- Nie dokonywać na produkcie lub kanałach odprowadzających żadnych zmian elektrycznych lub mechanicznych.
- Przed rozpoczęciem czyszczenia lub konserwacji, należy odłączyć produkt od sieci elektrycznej wyjmując wtyczkę lub wyłączając główny wyłącznik.
- Podczas wszystkich czynności instalacyjnych i konserwacyjnych używać rękawic roboczych.
- Produkt może być obsługiwany przez dzieci powyżej 8 roku życia oraz osoby o ograniczonych zdolnościach fizycznych, sensorycznych i psychicznych, osoby nie posiadające

doświadczenia, lub wystarczającej wiedzy pod warunkiem, że będą one nadzorowane lub zostaną przeszkolone w zakresie bezpiecznego użytkowania urządzenia i związanego z nim niebezpieczeństwa. • Dzieci muszą być nadzorowane, aby nie bawiły się produktem. • Czyszczenia i konserwacji nie mogą dokonywać dzieci bez nadzoru. • W pomieszczeniu musi być zagwarantowana wystarczająca wentylacja, w przypadku stosowania produktu wraz z innymi urządzeniami gazowymi lub działającymi na inne paliwa. • Należy często czyścić produkt, zarówno wewnątrz, jak i na zewnątrz (CO NAJMNIEJ RAZ W MIESIĄCU) i zawsze stosować się do zaleceń zawartych w instrukcji konserwacji. • Nieprzestrzeganie zasad czyszczenia produktu i wymiany/czyszczenia filtrów wiąże się z ryzykiem pożaru. • Surowo zabrania się przygotowywania potraw na ogniu pod produktem. • UWAGA: Podczas działania płyty kuchennej, dostępne części produktu mogą być gorące. • Dopóki nie zostanie zakończona instalacja nie wolno podłączać produktu do sieci elektrycznej. • W odniesieniu do zasad technicznych i przepisów bezpieczeństwa dotyczących odprowadzania spalin, należy stosować się ściśle do rozporządzeń właściwych organów lokalnych. • Wyciągane powietrze nie może być kierowane do kanału stosowanego do odprowadzania spalin produkowanych przez urządzenia spalające gaz lub inne paliwa. • Nie używać lub pozostawiać produktu bez odpowiednio zamontowanych lampek, istnieje ryzyko porażenia prądem. • NIGDY nie używać produktu bez prawidłowo zamontowanej kratki. • NIGDY nie używać produktu jako biału, chyba że jest to wyraźnie wskazane.

• Do wymiany żarówki użyć stosować wyłącznie rodzaj żarówek wskazany w rozdziale konserwacja / system oświetlenia w niniejszej instrukcji. • Stosowanie wolnego ognia jest szkodliwe dla filtrów i może być przyczyną pożaru, dlatego też jest surowo zabronione. • Smażenie musi następować pod stałą kontrolą, aby przegrzany olej nie zapalił się. • W razie wątpliwości należy skontaktować się z autoryzowanym centrum serwisowym lub wykwalifikowanym personelem.

⚠ BEZPIECZEŃSTWO PODCZAS INSTALACJI

• Używać dołączonych śrub mocujących tylko, jeżeli nadają się do danej powierzchni; w przeciwnym razie zakupić odpowiednie. Sprawdzić, czy wewnątrz produktu nie umieszczono (na czas transportu) dodatkowych elementów (takich jak worki ze śrubami, gwarancje itd.) i ewentualnie wyjąć je i przechować. • **OSTRZEŻENIE:** Niezainstalowanie śrub i elementów mocujących zgodnie z niniejszymi instrukcjami może doprowadzić do ryzyka natury elektrycznej. • Rura spustowa nie znajduje się w wyposażeniu, należy ją zakupić. • Średnica rury spustowej musi być równa średnicy pierścienia łączącego. • Podczas instalowania produktu na płycie kuchennej zastosować się do wysokości wskazanej na rysunkach • Minimalna

odległość pomiędzy powierzchnią nośną pojemników na urządzeniu grzewczym a najniższą ścianką okapu kuchennego nie może być mniejsza niż 50 cm, w przypadku kuchni elektrycznych, i 65 cm w przypadku kuchni gazowych lub dwupaliwowych. • Jeżeli instrukcje instalacji urządzenia kuchni gazowej wskazują większą odległość, należy ją uwzględnić.

⚠ BEZPIECZEŃSTWO PODŁĄCZENIA ELEKTRYCZNEGO

• Napięcie sieciowe musi być zgodne z napięciem wskazanym na tabliczce znamionowej wewnątrz produktu. • Jeśli produkt jest wyposażony we wtyczkę, należy go podłączyć do gniazdka zgodnego z obowiązującymi przepisami, znajdującą się w miejscu dostępnym nawet po instalacji. • Jeśli nie ma wtyczki (bezpśrednie podłączenie do sieci) lub nie znajduje się ona w dostępnym miejscu, również po zainstalowaniu, należy zastosować zgodny z przepisami dwubiegunowy wyłącznik, który zapewni całkowite odłączenie od sieci w warunkach przepięcia kategorii III, zgodnie z zasadami instalacji. • Produkt jest wyposażony w specjalny kabel zasilający; w przypadku jego uszkodzenia, należy zwrócić się do serwisu pomocy technicznej po wymianę.

• **Uwaga!** Przed ponownym podłączeniem obwodu do zasilania sieciowego i sprawdzeniem prawidłowego działania, należy zawsze sprawdzić, czy kabel zasilania został prawidłowo zamontowany.

Uwaga! Nie stosować w połączeniu z oddzielnym programatorem, timerem, zdalnym sterowaniem lub każdym innym urządzeniem, które uaktywnia się automatycznie.

■ WSKAZÓWKI DOTYCZĄCE UŻYTKOWANIA

Wskazówki dotyczące prawidłowego użytkowania ograniczającego wpływ na środowisko: Podczas rozpoczęcia gotowania włączyć urządzenie z minimalną prędkością, pozostawiając je włączone również na kilka minut po zakończeniu gotowania. Zwiększyć prędkość tylko w przypadku dużej ilości spalin i oparów, używając funkcji booster wyłącznie w ekstremalnych wypadkach. Aby utrzymać skuteczność systemu redukcji nieprzyjemnych zapachów, wymieniać, gdy jest to konieczne filtr/y węglowy/e. Aby zachować skuteczność filtra przeciwłuszczowego, w razie konieczności należy go wyczyścić. Aby zwiększyć skuteczność i zredukować hałas, zastosować maksymalną średnicę systemu odprowadzania wskazaną w niniejszej instrukcji.

■ UTYLIZACJA PO WYCOFANIU Z EKSPLOATACJI



Urządzenie zostało oznaczone zgodnie z Dyrektywą Europejską 2012/19/WE - UK SI 2013 Nr 3113 (WEEE), dotyczącą zużytego sprzętu elektrycznego i elektronicznego. Upewniając się o prawidłowej utylizacji produktu. Użytkownik przyczynia się do zapobiegania potencjalnym negatywnym skutkom dla środowiska i zdrowia.

Symbol umieszczony na produkcie lub na załączonej dokumentacji oznacza, że nie powinien on być traktowany jako odpad domowy, należy go przekazać do odpowiedniego punktu zbiórki sprzętu elektrycznego i elektronicznego. Należy się go pozbyć zgodnie z lokalnymi przepisami dotyczącymi utylizacji odpadów. Aby uzyskać więcej informacji na temat utylizacji, złomowania i recyklingu produktu, należy skontaktować się z właściwym biurem lokalnym, centrum zbiórki odpadów lub ze sklepem, w którym został zakupiony.

■ NORMY

Sprzęt zaprojektowany, przetestowany i wyprodukowany zgodnie z przepisami bezpieczeństwa: EN/IEC 60335-1; EN/IEC 60335-2- 31, EN/IEC 62233. Wydajność: EN/IEC 61591; ISO 5167-1; ISO 5167-3; ISO 5168; EN/IEC 60704-1; EN/IEC 60704-2-13; EN/IEC 60704-3; ISO 3741; EN 50564; IEC 62301. EMC: EN 55014-1; CISPR 14-1; EN 55014-2; CISPR 14-2; EN/IEC 61000-3-2; EN/IEC 61000-3-3.

■ UŻYTKOWANIE

System zasysania oparów może być używany w wersji wyciągowej z odprowadzaniem na zewnątrz budynku lub filtrującej z wewnętrzną recykulacją.

● Wersja Wyciągowa:

Opary są odprowadzane na zewnątrz przez rurę przymocowaną do kołnierza przyłączeniowego.

UWAGA! Jeśli produkt jest wyposażony w filtr(y) węglowy(e), należy go(je) usunąć.

Podłączyć produkt do przewodów rurowych i otworów spustowych na ścianie, o średnicy równej średnicy wylotu powietrza (kołnierz łączący).

Zastosowanie przewodów rurowych i otworów spustowych na ścianie o mniejszej średnicy doprowadzi do zmniejszenia wydajności zasysania i znacznego zwiększenia hałasu.

W takim przypadku producent uchyła się od wszelkiej odpowiedzialności.

- Użyć przewodu o niezbędnej minimalnej długości.
- Użyć przewodu z możliwie jak najmniejszą liczbą kolanek (maksymalny kąt kolanka: 90°).
- Unikać dużych różnic w przekroju przewodu.

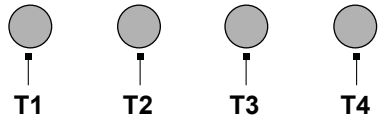
● Wersja Filtrująca:

Wyciągane powietrze zostanie oczyszczone z tłuszczu i zapachów, a następnie ponownie wprowadzone do pomieszczenia. Do użycia produktu w tej wersji, należy zainstalować dodatkowy system filtrów węglowych.

■ MONTAŻ PIERWSZA INSTALACJA

- Sprawdzić, czy wymiary zakupionego produktu są odpowiednie do wybranego miejsca instalacji.
- Wyjąć filtr(y) węglowe, jeśli jest (są) dostarczone (patrz również odpowiednie akapity).
- Należy go (je) zamontować tylko w przypadku stosowania produktu w wersji filtrującej.
- W przypadku paneli bocznych, ścian lub szafek wiszących należy sprawdzić, czy jest wystarczająco dużo miejsca do zainstalowania produktu oraz, czy jest możliwy łatwy dostęp do panelu sterowania.
- Produkt jest dostarczany z kółkami mocującymi, umożliwiającymi montaż na większości ścian/sufitów. Należy jednak skonsultować się z wykwalifikowanym technikiem w celu upewnienia się o przydatności materiałów do danego rodzaju ściany/sufitu. Ściana/sufit musi być wystarczająco solidna, aby utrzymać ciężar okapu.

■ DZIAŁANIE



- T1. Wyłącznik światła
- T2. Wybór prędkości 1 / Wyłącznik silnika
- T3. Wybór prędkości 2
- T4. Wybór prędkości 3

■ OSTRZEŻENIA DOTYCZĄCE KONSERWACJI

- **Czyszczenie:** Do czyszczenia używać wyłącznie szmatki nasączonej neutralnym płynnym detergentem. Nie stosować żadnych narzędzi i elementów do czyszczenia.
- Unikać stosowania produktów zawierających substancje ściernie. **NIE UŻYWAĆ ALKOHOLU!**



Informacje na temat konserwacji produktu wskazano na ilustracjach na końcu części o instalacji, oznaczonych poniższym symbolem.

- **✕A Filtr przeciwtłuszczowy:** Raz w miesiącu należy czyścić metalowy filtr przeciwtłuszczowy za pomocą nieagresywnych detergentów, ręcznie lub w zmywarce w niskiej temperaturze i w krótkim cyklu mycia. W celu wymontowania filtra przeciwtłuszczowego pociągnąć

uchwyt sprężyny.

• Filtr przeciwłuszczywy zatrzymuje cząsteczki tłuszczu powstające podczas gotowania. Podczas mycia w zmywarce do naczyń, metalowy filtr przeciwłuszczywy może ulec przebarwieniu, mimo to jego właściwości filtracyjne nie ulegają zmianie.

✖ **Filtr węglowy (tylko w wersji filtrującej):** Należy wymieniać wkład co cztery miesiące. NIE nadaje się do mycia ani regeneracji. Jak wskazano w sekcji rysunków: wyjąć filtry przeciwłuszczywe, założyć filtr węglowy z każdej strony i przymocować do produktu. Włożyć filtry przeciwłuszczywe.

• Filtr węglowy zatrzymuje nieprzyjemne zapachy powstające podczas gotowania. • Nasycenie filtra węglowego następuje po dłuższym użytkowaniu, w zależności od rodzaju kuchni i regularnego czyszczenia filtra przeciwłuszczywowego.

Oświetlenie

• System oświetlenia opiera się na technologii LED. Diody LED gwarantują optymalne oświetlenie, działają do 10 razy dłużej niż tradycyjne żarówki i pozwalają zaoszczędzić 90% energii elektrycznej.

● **System oświetlenia** : Użytkownik nie może wymieniać systemu oświetlenia, w razie nieprawidłowości należy skontaktować się z serwisem obsługi.

CS


Výrobek je určen k odsávání výparů a par z vaření a je určen pouze pro domácí použití.

Pečlivě dodržujte pokyny uvedené v tomto návodu. Nefebíráme žádnou odpovědnost za jakékoli nepříjemnosti, škody nebo požáry způsobené na výrobku v důsledku nedodržení pokynů uvedených v tomto návodu.

Spotřebič může mít jiný vzhled, než jak je zobrazen v tomto návodu, nicméně pokyny k použití, údržbě a instalaci zůstávají stejné.

• Je důležité, abyste všechny návody přiložené k výrobku vždy uschovali k nahlédnutí v jakémkoliv okamžiku. V případě prodeje, postoupení nebo stěhování zajistěte, aby zůstaly u výrobku. • Pečlivě si přečtěte návod k použití: obsahuje důležité informace o instalaci, používání a bezpečnosti. • Před zahájením instalace zkontrolujte neporušenost výrobku. V opačném případě kontaktujte svého prodejce a v instalaci nepokračujte.

■ POZNÁMKY

: díly označené tímto symbolem lze zakoupit samostatně u specializovaných prodejců.

*: díly označené tímto symbolem jsou volitelným příslušenstvím dodávaným pouze u některých modelů a lze je zakoupit na webových stránkách www.elica.com a www.shop.elica.com.

■ BEZPEČNOST A PŘEDPISY

⚠ OBCENÁ BEZPEČNOST

• Neprovádějte žádné elektrické ani mechanické změny na výrobku ani na potrubí pro vypouštění výparů. • Před jakýmkoliv úkonem čištění nebo údržby odpojte spotřebič od elektrické sítě vytazením zástrčky nebo vypnutím hlavního vypínače bytu/domu. • Při všech úkonech instalace a údržby používejte pracovní rukavice. • Výrobek mohou používat děti ve věku nejméně 8 let a osoby se sníženými fyzickými, smyslovými nebo mentálními schopnostmi nebo bez zkušeností či potřebných znalostí, za předpokladu, že jsou pod dohledem nebo poté, co obdržely pokyny týkající se bezpečného používání spotřebiče a pochopily s tím související nebezpečí. • Děti by měly být pod dohledem, aby si s výrobkem nehrály. • Čištění a údržbu spotřebiče nesmí provádět děti bez dozoru. • Pokud je výrobek používán současně s jinými spotřebiči na plyn nebo jiná paliva, místnost musí být dostatečně větraná. • Výrobek musí být často čištěn zevnitř i zvenku (ALESPOŇ JEDNOU MĚSÍČNĚ), v každém případě dodržujte to, co je výslovně uvedeno v pokynech pro údržbu. • Nedodržení postupů čištění výrobku a výměny/čištění filtrů vede k nebezpečí požáru. • Je přísně zakázáno připravovat pokrmy na plameni pod výrobkem. • POZOR: Když varná deska funguje, mohou být přístupné části výrobku horké. • Výrobek nepřipojujte k elektrické síti, dokud není instalace zcela dokončena. • Pokud jde o technická a bezpečnostní opatření, která mají být přijata pro vypouštění výparů, přísně dodržujte ustanovení předpisů příslušných místních orgánů. • Odsávaný vzduch nesmí být odváděn do potrubí, které je používáno pro vypouštění výparů ze zařízení fungujících na principu spalování plynu nebo jiných paliv. • Výrobek nepoužívejte ani nenechávejte bez řádné namontovaných žárovek kvůli možnému nebezpečí úrazu elektrickým proudem. • Výrobek NIKDY nepoužívejte bez správně namontované mřížky. • Výrobek NIKDY nepoužívejte jako odkládací desku, pokud to není výslovně uvedeno.

• Pro výměnu žárovky používejte pouze typ žárovky uvedený v části o údržbě/osvětlovacím systému tohoto návodu. • Použití otevřeného plamene je nebezpečné pro filtry a může způsobit požár, proto je třeba se ho v každém případě vyvarovat. • Smažení musí probíhat pod dohledem, aby se zabránilo vznícení přehřátého oleje. • V případě pochybností se obraťte na autorizované servisní středisko nebo podobně kvalifikovaný personál.

⚠ BEZPEČNOST INSTALACE

• Upevňovací šrouby dodané s výrobkem použijte pouze v případě, že jsou vhodné pro daný povrch, jinak použijte správný typ. Zkontrolujte, zda se uvnitř výrobku nenachází (kvůli přepravě) doplňkový materiál (například sáčky se šrouby, záruční list, apod.), případně tento materiál odstraňte a uschovejte. • VAROVÁNÍ: Jestliže šrouby a

účhytné prvky nebudou namontovány podle pokynů uvedených v tomto návodu, mohlo by dojít ke vzniku nebezpečí elektrické povahy. • Odtahové potrubí není součástí vybavení a je třeba ho zakoupit. • Průměr odvodní trubice musí být stejný jako průměr připojovacího kroužku. • Při instalaci výrobku nad varnou desku dodržujte výšku uvedenou na výkresch • Minimální vzdálenost mezi opěrnou plochou nádob na sporáku a nejspodnější částí odsavače par nesmí být menší než 50 cm u elektrických sporáků a 65 cm u plynových nebo kombinovaných sporáků. • Pokud je v návodu k instalaci plynového spotřebiče uvedena větší vzdálenost, je třeba ji zohlednit.

BEZPEČNOST ELEKTRICKÉHO PŘIPOJENÍ

• Síťové napětí musí odpovídat napětí uvedenému na štítku vlastnosti uvnitř výrobku. • Je-li výrobek vybaven zástrčkou, připojte jej do zásuvky, která odpovídá platným předpisům a je umístěna na místě, které bude přístupné i po instalaci. • Pokud není vybaven zástrčkou (přímé připojení k síti) nebo zástrčka není umístěna na místě přístupném i po instalaci, použijte standardizovaný dvoupólový vypínač, který zajistí úplné odpojení od sítě za podmínek přepětové kategorie III, v souladu s instalačními předpisy. • Výrobek je vybaven speciálním napájecím kabelem; v případě poškození tohoto kabelu si jej vyžádejte u technické servisní služby.

● **Pozor!** Před opětovným připojením obvodu k elektrické síti a kontrolou jeho správné funkčnosti vždy zkontrolujte, zda je napájecí kabel správně zapojen.

Pozor! Nepoužívejte s programovacím zařízením, časovačem, samostatným dálkovým ovladačem nebo jiným zařízením, které se aktivuje automaticky.

■ RADY PRO POUŽÍVÁNÍ

Rady pro správné používání spotřebiče za účelem snížení negativního dopadu na životní prostředí: Když začnete vařit, zapněte spotřebič při minimální rychlosti a nechte ji zapnutou několik minut i po skončení vaření. Rychlost zvýšte pouze v případě velkého množství kouře a výparů, v naléhavých případech pomocí funkce Booster. Pro udržení dobré účinnosti systému minimalizace pachů je třeba v případě potřeby vyměnit uhlíkový filtr/uhlíkové filtry. Pro udržení dobré účinnosti tukového filtru je třeba ho v případě potřeby vyčistit. Pro optimalizaci účinnosti a minimalizaci hluku je třeba použít maximální průměr odtahového potrubí uvedený v tomto návodu.

■ LIKVIDACE PO UKONČENÍ ŽIVOTNOSTI



Tento přístroj je označen v souladu s evropskou směrnicí 2012/19/ES - UK SI 2013 č. 3113, Odpadní elektrická a elektronická zařízení (WEEE). Zajistěte řádnou likvidaci tohoto výrobku. Uživatel pomáhá předcházet možným negativním dopadům na životní prostředí a zdraví.

Symbol na výrobku nebo v průvodní dokumentaci

znamená, že s tímto výrobkem nesmí být nakládáno jako s domovním odpadem, ale musí být předán na příslušné sběrné místo pro recyklaci elektrických a elektronických zařízení. Zlikvidujte jej v souladu s místními předpisy pro likvidaci odpadu. Pro podrobnější informace o zpracování, sběru a recyklaci tohoto spotřebiče kontaktujte příslušné místní orgány, provozovatele sběru odpadu nebo prodejnu, ve které jste výrobek zakoupili.

■ PŘEDPISY

Spotřebič navržený, testovaný a vyrobený v souladu s bezpečnostními předpisy: EN/IEC 60335-1; EN/IEC 60335-2-31; EN/IEC 62233. Výkon: EN/IEC 61591; ISO 5167-1; ISO 5167-3; ISO 5168; EN/IEC 60704-1; EN/IEC 60704-2-13; EN/IEC 60704-3; ISO 3741; EN 50564; IEC 62301. EMC: EN 55014-1; CISPR 14-1; EN 55014-2; CISPR 14-2; EN/IEC 61000-3-2; EN/IEC 61000-3-3.

■ POUŽITÍ

Systém odsávání může být použit u verze s odsáváním s vnějším odvodem nebo vnitřním recirkulačním filtrem.

● Odsávací provedení:

Páry jsou odváděny ven odtahovým potrubím připojeným ke spojovací přírubě.

POZOR! Pokud je výrobek vybaven uhlíkovým filtrem (uhlíkovými filtry), je třeba jej (je) vyjmout.

Připojte výrobek k trubkám a odvodním otvorům na stěně s průměrem stejným jako vývod vzduchu (připojovací příruba).

Použití trubek a otvorů ve stěnách s menším průměrem vede ke snížení sacího výkonu a k výraznému zvýšení hlučnosti.

V takovém případě výrobce odmítá odpovědnost.

• Použijte tak dlouhé potrubí, jak je potřeba.

• Použijte potrubí s co nejmenším možným počtem ohybů (maximální úhel ohybu: 90°).

• Vyhněte se drastickým úpravám průřezu potrubí.

● Filtrační provedení:

Odsávaný vzduch je před návratem do místnosti zbaven tuku a zápachu. Pro použití výrobku v této verzi je nutné nainstalovat dodatečný filtrační systém s aktivním uhlím.

■ MONTÁŽ PRVNÍ INSTALACE

• Zkontrolujte, zda jsou rozměry zakoupeného výrobku vhodné pro zvolené místo instalace.

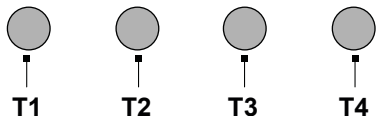
• Vyměňte filtr (filtry) s aktivním uhlím, pokud jsou součástí dodávky (viz také příslušná část).

• Filtr (filtry) se znovu namontují pouze v případě, pokud má být výrobek použit ve filtrační verzi.

• V případě bočních panelů a/nebo stěn a/nebo nástěnných jednotek zkontrolujte, zda je k instalaci výrobku dostatek místa a zda je vždy možný snadný přístup k ovládacímu panelu.

• Výrobek je dodáván s upevňovacími hmoždinkami vhodnými pro většinu stěn/stropů. Vhodnost materiálů je však třeba konzultovat s kvalifikovaným technikem v závislosti na typu stěny/stropu. Stěna/strop musí být dostatečně pevné, aby unesly hmotnost digestoře.

■ PROVOZ



T1. spínač osvětlení ON/OFF.

T2. vypínač OFF/rychlost 1

T3. volba rychlosti 2

T4. volba rychlosti 3

■ POKYNY K ÚDRŽBĚ

• **Čištění:** Na čištění použijte výlučně hadřík navlhlý neutrálními tekutými čisticími prostředky. Na čištění nepoužívejte nářadí nebo nástroje.

• Nepoužívejte výrobky obsahující abraziva. NEPOUŽÍVEJTE ALKOHOL!

✘ Informace o údržbě výrobku naleznete na obrázcích na konci instalace označených tímto symbolem.

✘ **A Tukový filtr:** Kovový tukový filtr musí být čistěn jednou měsíčně jemnými čisticími prostředky, ručně nebo v myčce na nádobí při nízkých teplotách a krátkém cyklu. Chcete-li tukový filtr vyjmout, zatáhněte za madlo uvolňovací pružiny.

• Tukový filtr zadržuje částechy tuku z vaření. Při mytí v myčce se kovový tukový filtr může odbarvit, ale jeho filtrační charakteristiky se absolutně nemění.

✘ **B Uhlíkový filtr (pouze pro filtrační verzi):** Vložku je nutné vyměňovat alespoň každé čtyři měsíce. NELZE jej umýt nebo regenerovat. Jak je uvedeno ve výkresové části: vyjměte tukové filtry, na každou stranu nasadte uhlíkový filtr a připevněte jej k výrobku. Znovu namontujte tukové filtry.

• Uhlíkový filtr zadržuje nepříjemné pachy z vaření. • K nasycení uhlíkového filtru dochází po více či méně dlouhém používání v závislosti na typu vaření a pravidelnosti čištění tukového filtru.

Osvětlení

• Systém osvětlení je založen na technologii LED. LED diody poskytují optimální osvětlení, mají až desetkrát delší životnost než běžné žárovky a šetří 90 % elektrické energie.

• **Systém osvětlení** : Systém osvětlení nemůže být vyměňován uživatelem, v případě poruchy kontaktujte servisní službu.

SK

Výrobek je vytvorený na odsávanie dymov a pár z varenia a je určený iba na domáce použitie.

Prísne dodržiavajte pokyny uvedené v tomto návode. Odmietame akúkoľvek zodpovednosť za prípadné poruchy, poškodenia alebo úrazy vyvolané výrobkom a spôsobené nedodrżaním pokynov uvedených v tomto návode.

Zariadenie môže mať odlišný vzhľad v porovnaní s obrázkami v tomto návode, no pokyny na použitie, údržbu a inštaláciu zostávajú rovnaké.

• Je dôležité uchovať všetky návody, ktoré sú súčasťou výrobku, aby ste do nich mohli kedykoľvek nahliadnuť. V prípade predaja, postúpenia alebo presťahovania sa uistite, či návody zostali spolu s výrobkom. • Pokyny si pozorne prečítajte: obsahujú dôležité informácie o inštalácii, používaní a bezpečnosti. • Pred inštaláciou skontrolujte neporušenosť výrobku. V opačnom prípade sa kontaktujte s predajcom a nepokračujte v inštalácii.

■ POZNÁMKY

🛒: súčiastky označené týmto symbolom, si môžete kúpiť samostatne u špecializovaných predajcov.

*: súčiastky označené týmto symbolom, patria medzi voliteľné príslušenstvo dodávané iba pri niektorých modeloch a môžete si ich kúpiť na webových sídlach www.elica.com a www.shop.elica.com.

■ BEZPEČNOSŤ A NORMY

⚠ VŠEOBECNÁ BEZPEČNOSŤ

• Na výrobku alebo na odvádzacích potrubniach nevykonávajú elektrické alebo mechanické zmeny. • Pred akýmkoľvek úkonom čistenia alebo údržby odpojte zariadenie od elektrickej siete vytiahnutím zástrčky alebo odpojením hlavného vypínača v byte. • Pri všetkých úkonoch montáže a údržby používajte pracovné rukavice. • Zariadenie smú používať deti staršie ako 8 rokov a osoby s obmedzenými fyzickými, zmyslovými alebo mentálnymi schopnosťami alebo bez skúseností alebo potrebných znalostí len vtedy, keď sú pod dozorom alebo keď im boli dané pokyny týkajúce sa bezpečného používania zariadenia a tieto osoby pochopili nebezpečenstvá spojené so zariadením. • Deti musia byť pod dozorom, aby sa s výrobkom nehrali. • Čistenie a údržbu nesmú vykonávať deti bez dozoru. • V miestnosti musí byť zabezpečené dostatočné vetranie, keď sa výrobok používa súčasne s ďalšími spaľovacími zariadeniami na plyn alebo iné palivá. • Zariadenie sa musí často čistiť, zvnútra aj zvonku (ASPOŇ RAZ ZA MESIAC), v každom prípade dodržíavajte pokyny výslovne uvedené v pokynoch na údržbu. • Nedodrżanie noriem na čistenie výrobku a výmeny/čistenia filtrov spôsobuje riziká požiarov. • Je prísne zakázané pripravovať jedlá na plameni pod týmto výrobkom. • POZOR: Keď je varná doska v prevádzke, prístupné časti výrobku môžu byť

horúce. • Výrobok nepripájajte k elektrickej sieti, kým inštalácia nebude úplne dokončená. • Čo sa týka technických a bezpečnostných opatrení, ktoré je potrebné prijať na odvádzanie dymov, prísne dodržiavajte nariadenia kompetentných miestnych orgánov. • Nasatý vzduch sa nesmie odvádzať do potrubia používaného na odvádzanie dymov vyprodukovaných spaľovacími zariadeniami na plyn alebo iné palivá. • Výrobok nepoužívajte a nenechávajte bez správne namontovaných žiaroviek pre možné riziko zásahu elektrickým prúdom. • Výrobok sa NIKDY nesmie použiť bez správne namontovanej mriežky. • Výrobok sa NIKDY nesmie použiť ako oporná doska, pokiaľ to nie je výslovne uvedené.

• Pri výmene žiarovky používajte iba typ žiarovky uvedený v oddiele údržby/osvetľovacieho systému v tomto návode. • Použitie otvoreného ohňa je škodlivé pre filtre a môže vyvolať požiar, preto sa mu vždy vyhýbajte. • Fritovanie sa musí vykonávať pod kontrolou, aby sa zabránilo vzniku prehriateho oleja. • V prípade pochybností sa poraďte s autorizovaným centrom pomoci alebo podobným kvalifikovaným personálom.

⚠ BEZPEČNOSŤ PRI INŠTALÁCII

• Používajte upevňovacie skrutky dodané s výrobkom iba, ak sú vhodné pre plochu, inak si kúpte skrutky správneho typu. Uistite sa, že vnútri produktu sa nenachádza (pre účely prepravy) doplnkový materiál (napríklad sáčky so skrutkami, záruky atď.), ktorý je potrebné vybrať a uschovať. • VÝSTRAHA: Inštalácia skrutiek a spojovacích prvkov, ktorá nie je v súlade s týmito pokynmi, môže spôsobiť riziká elektrickej povahy. • Odtokové potrubie nie je súčasťou dodávky a je nutné ho zakúpiť. • Priemer odvádzajúcej trubky musí byť ekvivalentný priemeru spojovacieho krúžku. • Pri inštalácii výrobku na varnú dosku dodržte výšku uvedenú vo výkresoch. • Minimálna vzdialenosť medzi podpornou plochou nádob na varnom zariadení a najnižšou časťou kuchynského odsávača nesmie byť menšia ako 50 cm v prípade elektrických sporákov a 65 cm v prípade plynov alebo zmiešaných sporákov. • Ak sa v pokynoch na inštaláciu varného plynového zariadenia uvádza väčšia vzdialenosť, je potrebné ju brať do úvahy.

⚠ BEZPEČNOSŤ V PRÍPADOE ELEKTRICKÉHO PRIPOJENIA

• Sieťové napätie musí zodpovedať napätiu uvedenému na štítku nachádzajúceho sa vnútri výrobku. • Ak je výrobok vybavený zástrčkou, pripojte výrobok k zásuvke v zhode s platnými normami nachádzajúcej sa v priestore prístupnom aj po inštalácii. • Ak zástrčka nie je vo výbave (priame pripojenie k sieti) alebo zásuvka sa nenachádza v prístupnom priestore, aj po inštalácii, použite bipolárny vypínač podľa normy, ktorý zabezpečí úplné odpojenie siete v podmienkach kategórie prepätia III, v súlade s

inštaláciami predpismi. • Výrobok je vybavený špeciálnym napájacím káblom; v prípade poškodenia kábla oň požiadajte službu technickej pomoci.

● **Pozor!** Pred opätovným pripojením k elektrickej sieti a kontrolou správneho fungovania spotrebiča vždy skontrolujte, či je napájací kábel správne namontovaný.

Pozor! Nepoužívajte programovacie zariadenie, časovač, samostatné diaľkové ovládanie alebo akékoľvek iné zariadenie, ktoré sa aktivuje automaticky.

■ ODPORÚČANIA PRI POUŽITÍ

Odporúčania na správne použitie za účelom zníženia vplyvu na životné prostredie: Keď začínate variť, zapnite zariadenie na minimálnu rýchlosť, a nechajte ho zapnuté aj niekoľko minút po ukončení varenia. Rýchlosť zvyšte iba v prípade veľkého množstva dymu a pary pomocou funkcie booster iba v extrémnych prípadoch. Aby sa zachovala dobrá účinnosť systému redukcie pachov, v prípade potreby vymeňte uhľový filter/filtre. Aby sa zachovala dobrá účinnosť tukového filtra, v prípade potreby ho vyčistite. Na optimalizáciu účinnosti a minimalizáciu hluku používajte maximálny priemer kanalizačného systému uvedený v tejto príručke.

■ LIKVIDÁCIA PO UKONČENÍ ŽIVOTNOSTI



Toto zariadenie je označené v zhode s európskou smereou 2012/19/ES - UK SI 2013 č. 3113 o odpade z elektrických a elektronických zariadení (OEEZ). Zabezpečte, aby sa tento výrobok zlikvidoval správnym spôsobom. Používateľ prispieva k tomu, aby sa zabránilo potenciálnym negatívnym dôsledkom pre prostredie a zdravie.

Symbol na výrobku alebo v dokumentácii, ktorá je k nemu priložená, poukazuje na to, že s týmto výrobkom nesmie byť narábané ako s domovým odpadom, ale musí byť odovzdaný do vhodnej zberne na recykláciu elektrických a elektronických zariadení. Je potrebné ho zlikvidovať v súlade s miestnymi predpismi pre likvidáciu odpadu. Podrobnejšie informácie o spracovaní, opätovnom použití a recyklácii tohto výrobku získate na príslušnom miestnom úrade, od služby zberu domového odpadu alebo v obchode, kde bol tento výrobok zakúpený.

■ NORMY

Naprojektované, otestované zariadenie realizované pri dodržaní noriem o bezpečnosti: EN/IEC 60335-1; EN/IEC 60335-2-31, EN/IEC 62233. Výkon: EN/IEC 61591; ISO 5167-1; ISO 5167-3; ISO 5168; EN/IEC 60704-1; EN/IEC 60704-2-13; EN/IEC 60704-3; ISO 3741; EN 50564; IEC 62301. EMC: EN 55014-1; CISPR 14-1; EN 55014-2; CISPR 14-2; EN/IEC 61000-3-2; EN/IEC 61000-3-3.

■ POUŽITIE

Odsávací systém sa môže použiť v odsávacej verzii s vonkajším odčerpávaním alebo filtračnej verzii s vnútorným obehom.

● Odsávacia verzia:

Výpary sa odčerpávajú smerom von pomocou vypúšťacej trubky pripojenej ku spojovacej prírubke.

POZOR! Ak je výrobok vybavený uhľíkovým filtrom/uhľíkovými filtrami, tento/tieto sa musí/musia odstrániť.

Výrobok pripojte k trubkám a vypúšťacím otvorom na stene s priemerom ekvivalentným výstupu vzduchu (spojovacia príruha).

Použitie vypúšťacích trúbiek a otvorov na stene s menším priemerom spôsobí zníženie odsávacích výkonov a drastické zvýšenie hlučnosti.

Preto odmietame akúkoľvek zodpovednosť.

- Použite potrubie s minimálnou nevyhnutnou dĺžkou.
- Použite potrubie s čo najmenším počtom kolien (maximálny uhol kolena: 90 °).
- Zabráňte drastickým zmenám prierezu potrubia.

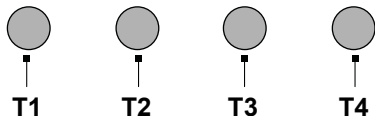
● Filtračná verzia:

Nasatý vzduch sa odmastí a zbaví zápachu pred dopravou do miestnosti. Pre použitie výrobku v tejto verzii je potrebné nainštalovať prídavný filtračný systém na báze aktívneho uhlia.

■ MONTÁŽ PRED INŠTALÁCIOU

- Skontrolujte, či zakúpený výrobok má rozmery zodpovedajúce zvolenému miestu inštalácie.
- Odoberte filter/filtre s aktívnym uhlím, ak sú dodané (pozri aj príslušný odsek).
- Tento/tieto sa znovu namontuje/namontujú iba, ak chcete používať výrobok vo filtračnej verzii.
- V prípade prítomnosti bočných panelov a/alebo stien a/alebo závesných skriniek overte, či je k dispozícii dostatočný priestor na inštaláciu výrobku a či vždy bude možný ľahký prístup k ovládacímu panelu.
- Výrobok je vybavený upevňovacími hmoždinkami vhodnými pre väčšiu časť stien/stropov. Avšak je potrebné sa poradiť s kvalifikovaným technikom, aby ste sa uistili o vhodnosti materiálov podľa typu steny/stropu. Stena/strop musí byť dostatočne silná/silný, aby zniesla/zniesol hmotnosť odsávača.

■ PREVÁDZKA



T1. Vypínač svetla ON/OFF.

T2. Vypínač svetla OFF/rýchlosť 1

T3. Voľba rýchlosti 2

T4. Voľba rýchlosti 3

■ VAROVANIA PRE ÚDRŽBU

- **Čistenie:** Na čistenie používajte výhradne utierku navlhčenú v neutrálnom tekutom čistiacom prostriedku. Pri čistení nepoužívajte žiadne nástroje.
- Vyhnite sa používaniu produktov s obsahom abrazívnych látok. **NEPOUŽÍVAJTE ALKOHOL!**



Pre údržbu výrobku si pozrite obrázky po ukončení inštalácie označené týmto symbolom.

✂️ Protitukový filter: Kovový protitukový filter sa musí čistiť raz za mesiac neagresívnymi čistiacimi prostriedkami, ručne alebo v umývačke riadu pri nízkych teplotách a krátkom cykle. Protitukový filter demontujete potiahnutím za pružinovú uvoľňovaciu rukoväť.

• Protitukový filter zadržáva tukové častice pochádzajúce z varenia. Pri umývaní v umývačke riadu sa protitukový filter môže odfarbiť, ale jeho filtračné vlastnosti sa absolútne nezmenia.

✂️ Uhlíkový filter (iba pre filtračnú verziu): Je potrebné vymeniť vložku maximálne každé štyri mesiace. NESMIE sa umývať ani regenerovať. Ako je uvedené v oddiele výkresov: vyberte tukové filtre, vložte po jednom uhlíkovom filtri na každú stranu a pripnite ich k výrobku. Znovu založte protitukové filtre.

• Uhlíkový filter zadržáva nepríjemné pachy pochádzajúce z varenia. • K nasýteniu uhlíkového filtra dôjde po viac alebo menej predĺženom používaní podľa typu sporáka a pravidelnosti čistenia tukových filtrov.

Osvetlenie

• Osvetľovací systém je založený na technológii LED. LED zaručujú optimálne osvetlenie s trvaním až do 10-krát dlhším ako tradičné žiarovky a umožňujú ušetriť 90 % elektrickej energie.

• **Systém osvetlenia :** Systém osvetlenia nemôže vymieňať používateľ, v prípade funkčných porúch sa skontaktujte s asistenčnou službou.

HU

A termékét a fűzés közben keletkező pára és gőzök elszívására terveztek és csak háztartási használatra.


A kézükönyvben leírtakat szigorúan tartsa be. Nem vállalunk felelősséget a jelen kézikönyvben összefoglalt utasítások be nem tartása miatt a termékben bekövetkező hibákért, károkért vagy tüzesetekért.

A készülék esztétikailag eltérhet a kézikönyvben található rajzoktól, de a használati, karbantartási és telepítési utasítások nem változnak.

• Fontos, hogy a termékhez mellékelte összeges kézikönyvet mindig megőrizze, hogy konzultálás céljából bármikor fellapozhassa őket. Eladás, átadás vagy áttelepítés esetén győződjön meg róla, hogy a kézikönyvet a készülékkel együtt adja át. • Figyelmesen olvassa el az utasításokat: fontos beszerelési, használati és biztonsági információkat

tartalmaz. • Ellenőrizze a termék épségét, mielőtt hozzákezdene a beszereléshez. Ellenkező esetben vegye fel a kapcsolatot a viszonteladóval és ne szerelje be a készüléket.

■ MEGJEGYZÉSEK

: az ezzel a szimbólummal jelölt részek külön megvásárolhatók az erre specializálódott viszonteladóknál.

*: az ezzel a szimbólummal jelölt részek opcionális tartozékok, melyek csak némely modell esetében képezik a felszereltség részét, és amelyek megvásárolhatók a www.elica.com és www.shop.elica.com weboldalakon.

■ BIZTONSÁG ÉS ELŐÍRÁSOK

ÁLTALÁNOS BIZTONSÁG

• Ne végezzen elektromos vagy mechanikai módosításokat a terméken vagy a kivezető csöveken. • Mindenféle tisztító vagy karbantartó folyamat előtt húzza ki a terméket az elektromos hálózatról a csatlakozódugóval vagy az otthoni főkapcsoló lekapcsolásával. • Minden telepítési vagy karbantartási folyamathoz viseljen munkavédelmi kesztyűt. • A terméket 8 évnél nem fiatalabb gyermekek és csökkent fizikai, érzékszervi vagy mentális képességekkel rendelkező, vagy tapasztalatlan, vagy a szükséges ismeretekkel nem rendelkező személyek csak akkor használhatják, ha felügyelet alatt vannak vagy ha megkapták a készülék biztonságos használatával és a benne rejlő veszélyek megértésével kapcsolatos utasításokat. • Ügyeljen arra, hogy a gyermekek ne játsszanak a termékkel. • A tisztítási és karbantartási műveleteket gyermekek csak felügyelet mellett végezhetnek. • A helyiségben megfelelő szellőztetés legyen, amikor a terméket más gáz vagy tüzelőberendezéssel egyidejűleg használja. • A terméket gyakran tisztítsa mind belül, mind kívül (LEGALÁBB HAVI EGYSZER), mindenképp tartsa be a karbantartási utasításokban leírtakat. • A termék tisztítási, valamint a szűrők tisztítási és a cseréjükre vonatkozó szabványainak nem betartása tűzveszélyt okozhat. • Szigorúan tilos az ételeket nyílt lángon főzni a termék alatt. • FIGYELEM: Amikor a főzőlap működésben van, a termék hozzáférhető részei felforrósodhatnak. • Ne csatlakoztassa a terméket az elektromos hálózathoz, amíg a telepítést nem fejezte be. • Ami a füstelvezetéssel kapcsolatos műszaki és biztonsági intézkedéseket illeti, kifejezetten tartsa be a felelős helyi hatóságok szabályait. • A beszivott levegőt ne engedje gáztüzelésű vagy egyéb üzemanyaggal működő berendezések füstelszívó csatornájába. • Ne használja és ne hagyja a terméket megfelelően felszerelt lámpák nélkül, az áramütés veszélye miatt. • A terméket SOHA nem szabad helyesen felszerelt rács nélkül használni. • A terméket SOHA nem szabad támasztófelületként használni, hacsak kifejezetten nem jelezzük.

• A lámpacseréhez csak a jelen kézikönyv karbantartás/világítási rendszer című fejezetében megadott lámpatípust használja. • Nyílt láng használata a szűrők számára káros és tüzet okozhat, ezért minden esetben kerülje azt. • Felügyelet mellett süssön olajban, hogy elkerülje, hogy az olaj túlforrósodva tüzet fogjon. • Kétség esetén forduljon a hivatalos szervizközponthoz vagy hasonlóan képzett szakemberhez.

A TELEPÍTÉS BIZTONSÁGA

• Csak akkor használja a termékhez kapott rögzítőcsavarokat, ha azok megfelelnek a felületnek, különben vásárolja meg a megfelelő típust. Ellenőrizze, hogy a termékben ne legyen (a szállítás miatt) csomagolóanyag (mint például zacskó csavarral, jótállás stb.), ezeket vegye ki és őrizze meg. • FIGYELMEZTETÉS: A csavarok és rögzítő elemek nem az útmutató szerinti felhelyezésének hiánya elektromos veszélyt okozhat. • A kivezető cső nem a felszereltség része és külön meg kell vásárolni. • A kivezető cső átmérője legyen a csatlakozógyűrű átmérőjével azonos. • A termék főzőlaphoz történő felszereléséhez kövesse a rajzokon feltüntetett magasságot. • A főzőszekción lévő edények támasztó felülete és a páraelszívó legalacsonyabb része közötti minimális távolságnak legalább 50 cm kell lennie elektromos és 65 cm gáz- vagy vegyes tüzelésű tűzhelyek esetén. • Ha a gáztűzhely telepítési útmutatója nagyobb távolságot határoz meg, azt figyelembe kell venni.

AZ ELEKTROMOS CSATLAKOZÁS BIZTONSÁGA

• A hálózati feszültségnek meg kell egyeznie a termék belsejében található címkén feltüntetett feszültséggel. • Ha dugóval van ellátva, csatlakoztassa a terméket az aktuális előírásoknak megfelelő aljzathoz, amely a beépítés után is hozzáférhető helyen található. • Ha nincs dugó (közvetlen csatlakozás az elektromos hálózathoz), vagy ha a dugó még a felszerelés után sem helyezkedik el hozzáférhető helyen, akkor alkalmazzon egy szabványos bipoláris kapcsolót, amely a III. kategóriájú túlfeszültség esetén teljes hálózati leválasztást biztosít, a telepítés szabályainak megfelelően. • A termék speciális tápkábelrel van felszerelve; ha a kábel megsérült, kérjen újat a műszaki ügyfélszolgáltatótól.

• **Figyelem!** Mielőtt visszakötné a készüléket az elektromos hálózatra, ellenőrizze a készülék helyes működését, minden esetben ellenőrizze, hogy a tápkábel helyesen lett-e beszerelve.

Figyelem! Ne használja programozóval, időzítővel, külön távirányítóval vagy bármilyen más, automatikusan aktiválódó eszközzel.

■ A HASZNÁLATRA VONATKOZÓ JAVASLATOK

A helyes használat a környezetszennyezés csökkentése érdekében: Amikor főzni kezd, akkor kapcsolja be a

készülékét minimális sebességen, hagyja néhány percen keresztül bekapcsolva a főzés után is. A sebességet csak nagy mennyiségű füst és gőz esetén növelje a booster funkcióval csak különleges esetekben. A szagelszívó rendszer hatékonyságának megőrzése érdekében szükség esetén cserélje ki a szénműtrő(ke)t. A zsírsműtrő hatékonyságának megtartása érdekében szükség esetén cserélje ki. A hatékonyság optimalizációja és a zajcsökkentés érdekében használja a kézikönyvben megadott maximális átmérőjű csatornarendszert.

■ ÁRTALMATLANÍTÁS AZ ÉLETTARTAM VÉGÉN



Ez a készülék a 2012/19/EK európai irányelvnek, valamint a UK SI 2013 No.3113, Waste Electrical and Electronic Equipment (WEEE) angol jogszabálynak megfelelően van jelölve. Győződjön meg arról, hogy a terméket megfelelően ártalmatlanítja. A felhasználó hozzájárul a környezetre és az egészségre vonatkozó, lehetséges negatív következmények megelőzéséhez.

A terméken, vagy az azt kísérő dokumentáción szereplő jelölés jelzi, hogy ez a termék nem kezelhető háztartási hulladékként, hanem az elektromos és elektronikus készülékek újrahasznosítására szakosodott megfelelő begyűjtő helyre kell szállítani. Ártalmatlanítását a helyi hulladékgazdálkodási szabályoknak megfelelően végezze. Ha részletesebb tájékoztatásra van szüksége a termék újrahasznosítására vonatkozóan, kérjük, lépjen kapcsolatba a helyi önkormányzattal, a háztartási hulladékok kezelését végző szolgálattal vagy azzal a bolttal, ahol a terméket vásárolta.

■ SZABVÁNYOK

A biztonsági előírásoknak megfelelően tervezett, tesztelt és gyártott berendezés: EN/IEC 60335-1; EN/IEC 60335-2-31; EN/IEC 62233. Teljesítmény: EN/IEC 61591; ISO 5167-1; ISO 5167-3; ISO 5168; EN/IEC 60704-1; EN/IEC 60704-2-13; EN/IEC 60704-3; ISO 3741; EN 50564; IEC 62301. EMC: MSZ EN 55014-1; CISPR 14-1; MSZ EN 55014-2; CISPR 14-2; MSZ EN/IEC 61000-3-2; MSZ EN/IEC 61000-3-3.

■ HASZNÁLAT

Az elszívőrendszert beszívó vagy külső őrítő illetve szűrős felső keringtető verzióban is lehet használni.

• Szívó változat:

A gőzök a csatlakozó karimához csatlakoztatott elvezető csövön keresztül távoznak a szabadba.

FIGYELEM! Ha a termék szénszűrővel (szűrőkkel) van felszerelve, akkor ezt (ezeket) el kell távolítani.

A levegő kimenetnek megfelelő átmérővel (csatlakozó karima) csatlakoztassa a terméket a tömlőkhöz és a kiesztő lyukakhoz.

Kisebb átmérőjű tömlők és fali kiesztő lyukak csökkentik az elszívó teljesítményt és drasztikusan növelik a

zajszintet.

Erre vonatkozó minden felelősség kizárt.

- Használja a szükséges legrövidebb hosszot.
- A lehető legkevesebb mennyiségű kanyart használja (a kanyarok maximális szöge: 90°).
- Kerülje a csatornaszakaszban a drasztikus cseréket.

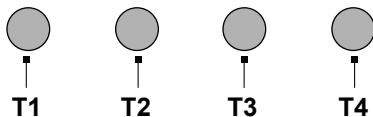
• Szűrő változat:

Az elszívott levegőt zsirtalanítják és szagtalanítják, mielőtt visszavezetik a helyiségbe. A termék ebben a változatban történő használatához további aktív szeszes szűrőrendszerrel kell felszerelni.

■ SZERELÉS ELSŐ TELEPÍTÉS

- Ellenőrizze, hogy a megvásárolt termék a beszerelésre kiválasztott zóna méretének megfelelő-e.
- Távolítsa el az aktív szeszes szűrő(ke)t, ha van (lásd a vonatkozó bevezetést is).
- Ezt (ezeket) csak akkor kell újra felszerelni, ha a terméket a szűrő változatban kívánja használni.
- Oldalpanelek és/vagy falak és/vagy fali egységek esetén ellenőrizze, hogy elegendő hely áll-e rendelkezésre a termék felszereléséhez, és hogy a kezelőpanelhez mindig könnyen hozzá lehet-e férni.
- A termék a legtöbb fal/mennyezet típushoz alkalmas rögzítődübelekkel van ellátva. A fal/mennyezet típusától függően azonban szakképzett szakemberrel kell konzultálni az anyagok alkalmasságának megállapítása érdekében. A falnak/mennyezetnek elég erősnek kell lennie ahhoz, hogy elbírja a motorháztető súlyát.

■ MŰKÖDÉS



T1. világítás kapcsoló BE/KI

T2. Motor KI kapcsoló/ 1. sebesség

T3. 1. sebesség kiválasztás

T4. 3. sebesség kiválasztás

■ KARBANTARTÁSI FIGYELMEZTETÉSEK

- **Tisztítás:** A tisztításhoz kizárólag semleges folyadékkal megnedvesített ruhát használjon. Ne használjon tisztító eszközöket vagy szerszámokat.
- Kerülje a súrolóanyagokat tartalmazó termékeket. NE HASZNÁLJON ALKOHOLT!



A termék karbantartásához lásd a telepítés végén lévő, ezzel a szimbólummal jelölt képeket.

материали. • Не използвайте или не оставайте продукта без правилно монтирани лампи, поради възможен риск от токов удар. • Продуктът НИКОГА не трябва да се използва без правилно монтирана решетка. • Продуктът НИКОГА не трябва да се използва като опорна повърхност, освен ако не е изрично посочено.

• За да смените лампата, използвайте само типа лампа, посочен в раздела поддръжка /система за осветление в това ръководство. • Използването на свободен пламък е вредно за филтъра и може да предизвика пожари, следователно при всички случаи трябва да се избягва. • Пърженето трябва да се извършва под контрол за да се избегне запалването на нагрялото олио. • В случай на съмнения, консултирайте оторизирания център за техническо обслужване или с подобен квалифициран персонал.

⚠ БЕЗОПАСНОСТ НА ИНСТАЛИРАНЕ

• Използвайте приложените към продукта фиксиращи винтове, доставени с продукта, само ако са подходящи за повърхността, в противен случай ги купете от правилния тип. Проверете дали по време на продукта във вътрешността на опаковката не са изпаднали части от комплекта (например пликчетата с болтове, гаранционна карта и т.н.) и евентуално ги извадете и съхранете. • **ПРЕДУПРЕЖДЕНИЕ:** Не поставянето на болтовете и крепежни елементи в съответствие с настоящите инструкции може да доведе до рискове от електрическо естество. • Тръбата за извездане не е доставена и се закупува. • Диаметърът на тръбата за разтоварване трябва да отговаря на диаметъра на пръстена за свързване. • Когато инсталирате продукта на котлона, следвайте височината, посочена на чертежите. • Минималното разстояние между опорната повърхност на контейнерите на устройството за готвене и най-ниската част на кухненския абсорбатор трябва да бъде не по-ниско от 50 см при електрически кухни 65 см при кухни на газ или смесени. • Ако инструкциите за монтаж на уреда за готвене на газ, определят една по-голяма дистанция, това трябва да се вземе предвид.

⚠ БЕЗОПАСНОСТ ЗА ЕЛЕКТРИЧЕСКО СВЪРЗВАНЕ

• Напрежението на мрежата трябва да съответства на напрежението, показано на етикета с характеристики, позициониран от вътрешната страна на продукта. • Ако е снабден с щепсел, свържете продукта към контакт, който отговаря на действащите разпоредби, разположен в достъпна зона дори след инсталирането. • Ако не е оборудван с щепсел (директна връзка към електрическата мрежа) или щепселът не е разположен в достъпна зона, дори след инсталиране, поставете биполярен превключвател, за да осигурите пълното изключване на електрическата мрежа в условията на свръх напрежение категория III, в съответствие с правилата за инсталиране. • Продуктът е оборудван

със специален захранващ кабел; в случай на повреда на кабела, поискайте го от отдела за техническо обслужване.

● **Внимание!** Преди да свържете отново кръга към мрежовото захранване и да проверите дали функционира правилно, винаги проверявайте дали захранващият кабел е монтиран правилно.

Внимание! Не използвайте с програматор, таймер, отделно дистанционно управление или каквото и да е друго устройство, което се активира автоматично.

■ ПРЕДЛОЖЕНИЯ ЗА УПОТРЕБА

Препоръки за правилна употреба с цел намаляване на влиянието върху околната среда: Когато се започне готвенето, включете уреда на минимална степен, като го оставите включен за няколко минути и след завършване на готвенето. Увеличете скоростта само при наличие на големи количества дим или пара, като използвате функция booster само в крайни случаи. За да се поддържа в добра ефективност системата за намаляване на мизримите, когато е необходимо подменяйте карбонния филтър/карбонните филтри. Почиствайте при нужда филтъра за мазнини, за да го поддържате в добро работно състояние. За да се оптимизира ефективността и за да се сведе до минимум шумът, използвайте въздуховоди с максимален диаметър, посочен в това ръководство.

■ ОБЕЗВРЕЖДАНЕ В КРАЯ НА ЖИЗНЕНИЯ ЦИКЪЛ

Този уред е обозначен в съответствие с Европейска Директива 2012/19/EC - UK SI 2013 No.3113, Изхвърляне на Електрическо и Електронно Оборудване (WEEE). Уверете се, че този продукт се изхвърля по правилен начин. Потребителят помага за предотвратяване на потенциални отрицателни последици за околната среда и здравето.



Символът върху уреда или в придружаващата го документация посочва, че този продукт не трябва да се третира като битов отпадък, а трябва да бъде предаден в специално предназначението за това пунктове за рециклиране на електрическо и електронно оборудване. Спазвайте местните регламенти за обезвреждане на отпадъци. За по-подробна информация във връзка с третирането, оползотворяването и рециклирането на този продукт, Ви съветваме да се обърнете към компетентните местни служби, службите за събиране на битови отпадъци или към магазина, от който сте закупили продукта.

■ СТАНДАРТИ

Оборудване, проектирано, тествано и произведено, в съответствие със стандарта за Безопасност: EN/IEC 60335-1; EN/IEC 60335-2- 31, EN/IEC 62233. Ефективност: EN/IEC 61591; ISO 5167-1; ISO 5167-3;

ISO 5168; EN/IEC 60704-1; EN/IEC 60704-2-13; EN/IEC 60704-3; ISO 3741; EN 50564; IEC 62301. EMC: EN 55014-1; CISPR 14-1; EN 55014-2; CISPR 14-2; EN/IEC 61000-3-2; EN/IEC 61000-3-3.

■ УПОТРЕБА

Системата за аспирация може да бъде използвана във версия с аспирация с външна евакуация или филтриране с вътрешна циркулация.

● Версия с Аспирация:

Парите се извеждат навън посредством една тръба за разтоварване, фиксирана към свързващия фланец.

ВНИМАНИЕ! Ако продуктът е оборудван с филтър/-и с въглен, той/те трябва да се отстранява.

Свържете продукта с тръби и отвори за разтоварване на стената с диаметър, равняващ се на тръбата за изхода на въздух (фланец за свързване).

Използването на тръби и отвори за разтоварването за стена с по-малък диаметър води до едно намаляване на производителността на аспирацията и едно драстично увеличаване на шума.

Следователно се отхвърля всякаква отговорност относно това.

- Използвайте тръба с възможно най-малка дължина.
- Използвайте една тръба с възможно най-малък брой завои (максимален ъгъл на завои: 90°).
- Избягвайте драстични промени на сечението на канала.

● Филтрираща Версия

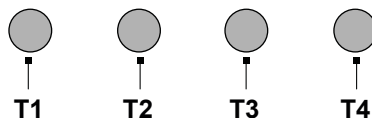
Аспирираният въздух ще бъде обезмаслен и с отстранен мирис, преди да бъде върнат в стаята. За да се използва продукта в тази версия, трябва да се инсталира допълнителна филтрираща система на базата на активен въглерод.

■ МОНТАЖ ПРЕДИ ИНСТАЛИРАНЕ

- Уверете се, че закупеният продукт е с подходящи размери предвид избраната зона за инсталиране.
- Отстранете филтър/-ите с активен въглен, ако е наличен (консултирайте също съответния параграф).
- Той трябва да бъде монтиран отново само ако желаете да използвате продукта във версия с филтър.
- В случай на панели и/или стени и/или странични стенни устройства, проверете дали има достатъчно място за инсталиране на продукта и дали винаги е възможно да се получи лесен достъп до контролния панел.
- Продуктът е оборудван с фиксиращи дюбели, подходящи за повечето стени/тавани. Необходимо е да се консултирате с квалифициран техник, за да се установи годността на материалите, в зависимост от вида на стената/тавана. Стената/таванът трябва да са достатъчно здрави, за да издържат тежестта на

аспиратора.

■ ФУНКЦИОНИРАНЕ



T1. Прекъсвач осветление ON/OFF.

T2. Прекъсвач OFF/скорост 1

T3. Избиране на скорост 2

T4. Избиране на скорост 3

■ ПРЕДУПРЕЖДЕНИЯ ЗА ПОДДРЪЖКА

- **Почистване:** За почистването, използвайте единствено една навлажнена с неутрални течни препарати кърпа. Не използвайте инструменти за почистването.

- Избягвайте употребата на абразивни продукти. НЕ ИЗПОЛЗВАЙТЕ СПИРТ!

✗ За поддръжката на продукта, вижте изображенията в края на инсталирането, маркирани с този символ.

- **ЖА Филтър против мазнини:** Металният филтър за мазнини трябва да бъде почистван един път на месец с не абразивни препарати, на ръка или в съдомиялна машина на ниски температури и с кратък цикъл. За да демонтирате филтъра за мазнини, издърпайте дръжката за освобождаване на пружината. Филтърът за мазнини задържа частиците мазнина, произхождащи от готвенето. При измиването в миялна машина металният филтър против мазнини може да се обезцвети, но неговите филтриращи свойства в никакъв случай няма да се променят.

- **ЖВ Филтър с активен въглен (само за филтрираща версия):** Необходимо е да се сменя пълнителя най-много на всеки четири месеца. НЕ може да се измие или регенерира. Както е посочено в раздела с чертежи: отстранете филтрите за мазнини, поставете по един филтър с активен въглен от всяка страна и го прикрепете към продукта. Сменете филтрите за мазнини.

- Филтърът с въглен задържа неприятните миризми, произхождащи от готвенето. • Запушването на филтъра с въглен настъпва след една значително продължителна употреба, според типа кухня и честотата на почистване на филтъра за мазнини.

Осветление

- Осветителната система е базирана на LED технология. Индикаторите LED гарантират оптимално

a hotei de bucătărie trebuie să fie de cel puțin 50 cm în cazul plitelor de gătit electrice și de 65 cm în cazul plitelor pe gaz sau mixte. • Dacă instrucțiunile pentru instalarea dispozitivului de gătit pe gaz indică o distanță mai mare, va trebui să țineți cont de aceasta.

NORME DE SIGURANȚĂ PENTRU CONECTAREA ELECTRICĂ

• Tensiunea de rețea trebuie să corespundă cu tensiunea indicată pe eticheta cu specificații, aplicată în interiorul aparatului. • Dacă este prevăzut cu ștecher, conectați aparatul la o priză ce îndeplinește prevederile legislației în vigoare, aflată într-o zonă care să fie accesibilă chiar și după instalare. • Dacă nu este prevăzut cu ștecher (conectare directă la rețea) sau dacă ștecherul nu se află într-o zonă accesibilă chiar și după instalare, instalați un întrerupător bipolar omologat, care să asigure decuplarea completă de la rețea în cazurile de categorie de protecție la supratensiune III, în conformitate cu normele de instalare. • Aparatul este prevăzut cu un cablu de alimentare special; în caz de avariere a cablului, solicitați-l departamentului de asistență tehnică.

● **Atenție!** Înainte de a reconecta circuitul la sursa de alimentare și de a-i verifica funcționarea corectă, verificați întotdeauna montajul corect al cablului de alimentare.

Atenție! A nu se utiliza cu un programator, temporizator, telecomandă separată sau orice alt dispozitiv care se activează automat.

RECOMANDĂRI PRIVIND UTILIZAREA

Sugestii pentru o utilizare corectă pentru a reduce impactul asupra mediului înconjurător: Când începeți să gătiți, porniți aparatul la viteză minimă, lăsându-l pornit timp de câteva minute chiar și după ce ați terminat de gătit. Creșteți viteza numai în cazul unor cantități mari de fum și aburi, folosind funcția booster numai în situații extreme. Pentru a menține funcțional sistemul de neutralizare a mirosurilor, înlocuiți, atunci când este necesar, filtrul/filtrele cu cărbune. Pentru a menține funcțional filtrul de grăsime, curățați-l atunci când este necesar. Pentru optimizarea eficienței și minimizarea zgomotelor, utilizați diametrul maxim al sistemului de canalizare indicat în acest manual.

ELIMINARE LA FINALUL PERIOADEI DE VIAȚĂ UTILĂ

Acest aparat este marcat conform prevederilor Directivei Europene 2012/19/CE - UK SI 2013 Nr. 3113, privind deșeurile de echipamente electrice și electronice (DEEE). Asigurându-se că acest produs este eliminat în mod corect, utilizatorul ajută la prevenirea posibilelor consecințe negative asupra mediului și sănătății.



Simbolul aplicat pe aparat sau pe documentația de însoțire a acestuia indică faptul că produsul nu trebuie considerat ca fiind un deșeu menajer normal, ci trebuie predat unui punct de colectare autorizat pentru reciclarea

echipamentelor electrice și electronice. Eliminați aparatul, respectând legislația în vigoare la nivel local, în materie de eliminare a deșeurilor. Pentru mai multe informații privind tratarea, recuperarea și reciclarea acestui produs, vă rugăm să contactați autoritățile locale, serviciul de colectare a deșeurilor menajere sau magazinul de unde a fost achiziționat produsul.

LEGISLAȚIE

Echipament proiectat, testat și realizat conform prevederilor standardelor în materie de siguranță: EN/CEI 60335-1; EN/CEI 60335-2-31, EN/CEI 62233. Performanță: EN/CEI 61591; ISO 5167-1; ISO 5167-3; ISO 5168; EN/CEI 60704-1; EN/CEI 60704-2-13; EN/CEI 60704-3; ISO 3741; EN 50564; CEI 62301. EMC: EN 55014-1; CISPR 14-1; EN 55014-2; CISPR 14-2; EN/CEI 61000-3-2; EN/CEI 61000-3-3.

UTILIZARE

Sistemul de aspirare poate fi utilizat în versiunea cu aspirare cu evacuare externă sau cu filtrare cu recirculare internă.

●  **Versiune cu aspirare:**

Vaporii sunt evacuați spre exterior printr-o țevă de evacuare fixată pe flanșa de legătură.

ATENȚIE! Dacă produsul este echipat cu filtru/e de carbon, acesta/acestea trebuie îndepărtate.

Conectați produsul la conducte și orificii de evacuare prin perete, având un diametru echivalent orificiului de ieșire a aerului (flanșa de conectare).

Utilizarea conductelor și a orificiilor de evacuare prin perete cu un diametru mai mic se va solda cu o reducere a performanțelor de aspirare și o creștere drastică a zgomotului.

Așadar, nu ne vom asuma nicio răspundere în acest sens.

- Utilizați o conductă cu lungimea minimă necesară.
- Utilizați o conductă cu cât mai puține coturi posibil (unghiul maxim al cotului: 90°).
- Evitați modificările drastice ale secțiunii conductei.

●  **Versiune cu filtrare:**

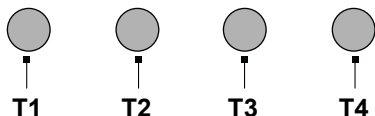
Aerul aspirat va fi degresat și dezodorizat înainte de a fi readus în cameră. Pentru a utiliza produsul în această versiune este necesar să instalați un sistem suplimentar de filtrare pe bază de cărbune activ.

MONTAJ ÎNAINTE DE INSTALARE

- Verificați dacă produsul achiziționat are dimensiuni corespunzătoare pentru zona de instalare aleasă în prealabil.
- Scoateți filtrul/filtrele de cărbune activ, dacă este/sunt furnizat/e (a se vedea și paragraful aferent).
- Acesta/acestea trebuie reasamblat/e numai dacă doriți să utilizați produsul în versiunea de filtrare.

- Dacă există panouri și/sau pereți și/sau unități de perete laterale, verificați dacă există suficient spațiu pentru instalarea produsului și că este întotdeauna posibil să accesați cu ușurință panoul de control.
- Produsul este echipat cu dibluri de fixare potrivite pentru majoritatea pereților/tavanelor. Cu toate acestea, este necesar să consultați un tehnician calificat pentru a constata caracterul adecvat al materialelor în funcție de tipul de perete/tavan. Peretele/tavanul trebuie să fie suficient de puternic pentru a suporta greutatea hotei.

■ FUNCȚIONARE



- T1. Întrerupător lumini ON/OFF.
 T2. Întrerupător OFF/viteza 1
 T3. Selectare rapidă 2
 T4. Selectare rapidă 3

■ AVERTISMENTE PRIVIND ÎNTREȚINEREA

- **Curățare:** Pentru curățare, folosiți exclusiv o lavetă înmuiată într-un detergent lichid neutru. Nu folosiți ustensile sau instrumente de curățat.
- Evitați utilizarea produselor care conțin abrazivi. NU UTILIZAȚI ALCOOL!



Pentru întreținerea produsului, consultați imaginele de la finalul secțiunii instalare, marcate cu acest simbol.

- **✘A Filtru anti-grăsimi:** Filtrul metalic de reținere a grăsimilor trebuie curățat o dată pe lună cu detergenți neagresivi, manual sau în mașina de spălat vase, la temperaturi scăzute și pe un ciclu de scurtă durată. Pentru demontarea filtrului de reținere a grăsimilor, trageți mânerul de decuplare cu arc.

- Filtrul de grăsime reține particulele de grăsime rezultate în urma gătitului. Dacă se spală în mașina de spălat vase, filtrul împotriva grăsimilor se poate decolora, însă caracteristicile sale de filtrare nu se vor modifica deloc.

- **✘B Filtru de cărbune (numai pentru versiunea filtrantă):** Cartușul trebuie înlocuit o dată la cel mult patru luni. Acesta NU poate fi spălat sau regenerat. Urmați indicațiile din secțiunea desene: scoateți filtrele de reținere a grăsimilor, introduceți câte un filtru de carbon pe fiecare latură și prindeți-l pe aparat. Montați la loc filtrele de reținere a grăsimilor.

- Filtrul de cărbune reține mirosurile neplăcute rezultate din gătit. • Saturația filtrului de cărbune apare după o utilizare mai mult sau mai puțin prelungită în funcție de tipul de

gătire și de regularitatea curățării filtrului de grăsimi.

Iluminat

- Sistemul de iluminat este bazat pe tehnologia LED. LED-urile garantează o iluminare optimă, cu o durată de până la 10 ori mai mare decât lămpile tradiționale și vă permit să economisiți 90% din energia electrică.

- **Sistem de iluminat:** Sistemul de iluminat nu poate fi schimbat de către utilizator. În caz de probleme de funcționare, adresați-vă departamentului de asistență.

RU

Изделие предназначено для отсасывания дымов и испарений, возникающих при готовке, для применения только в домашнем хозяйстве.

Необходимо неукоснительно придерживаться инструкций, приведенных в данном руководстве. Производитель снимает с себя всякую ответственность за возникшие неисправности, причиненный ущерб или пожары, которые возникли при использовании изделия вследствие несоблюдения указаний, приведенных в данном руководстве.

Устройство может иметь дизайн, не совпадающий с иллюстрациями в данной брошюре, однако указания по эксплуатации, техническому обслуживанию и установке остаются неизменными.

- Важно сохранить все руководства, прилагаемые к изделию, чтобы иметь возможность обращаться к ним в любое время. В случае продажи, отчуждения или перемещения прибора следует убедиться, чтобы руководство находилось вместе с ним. • Внимательно прочитайте инструкции, так как в них содержится важная информация по установке, применению и технике безопасности. • Проверьте целостность изделия перед установкой. В случае наличия повреждений следует обратиться к поставщику и не выполнять установку.

■ ПРИМЕЧАНИЯ



: детали, обозначенные данным знаком, можно приобрести отдельно у специализированных дистрибьюторов.



: детали, обозначенные данным знаком, являются опциями, поставляемыми только в определенных моделях и их можно приобретать на сайтах www.elica.com и www.shop.elica.com.

■ БЕЗОПАСНОСТЬ И НОРМАТИВНЫЕ ДОКУМЕНТЫ

⚠ ОБЩИЕ ПРАВИЛА ТЕХНИКИ БЕЗОПАСНОСТИ

• Не вносите изменений ни в электрическую, ни в механическую часть изделия или выхлопные трубы. Перед выполнением любых операций по очистке или техобслуживанию отключите изделие от электросети, вынув вилку или отключив главный выключатель жилого помещения. • Для выполнения операций по установке и техобслуживанию используйте рабочие перчатки. • Устройством могут пользоваться дети старше 8 лет и лица с ограниченными физическими, сенсорными и умственными способностями, а также лица без опыта или с недостаточным уровнем знаний, при условии, что они находятся под присмотром или после получения ими инструкций по безопасной эксплуатации прибора и усвоения связанных с ним потенциальных рисков. • Необходимо следить, чтобы дети не игрались с этим изделием. • Не разрешайте детям выполнять очистку и техобслуживание изделия без присмотра. • Помещение должно быть оборудовано достаточно эффективной системой вентиляции, если прибор используется одновременно с другими устройствами, работающими на газу или другом топливе. • Изделие следует почистить как внутри, так и снаружи (МИНИМУМ ОДИН РАЗ В МЕСЯЦ). В любом случае, следуйте указаниям, приведенным в руководстве по техобслуживанию. • Несоблюдение правил очистки изделия, периодичности замены и очистки фильтров влечет за собой опасность возгорания. • Категорически запрещено приготовление пищи на открытом огне под изделием. • **ВНИМАНИЕ:** При работе варочной панели ее доступные части могут становиться горячими. • Не подключайте прибор к электрической сети до полного завершения операций установки. • Что касается мер безопасности и технических мер, предусмотренных для выпуска дымов и испарений - строго придерживайтесь предписаний местных компетентных учреждений. • Отсасываемый воздух нельзя направлять в канал, используемый для отвода дыма из устройств, сжигающих газ или другое топливо. • Не используйте и не оставляйте вытяжку без надлежащим образом установленных ламп, поскольку это может стать причиной поражения электротоком. • НИ В КОЕМ СЛУЧАЕ не пользуйтесь прибором без правильно установленной решетки. • Изделие НИ В КОЕМ СЛУЧАЕ нельзя использовать как опорную поверхность, если это не указано явным образом.

• При замене лампы используйте только тот тип лампы, который указан в разделе «Техническое обслуживание/система освещения» данного руководства. • В любом случае следует избегать использования открытого

огня, так как это наносит вред фильтрам и может стать причиной возгорания. • Процесс жарки должен осуществляться под надзором, так как перегретое масло может воспламениться. • В случае сомнений обратитесь в авторизованный сервисный центр или к соответствующему квалифицированному персоналу.

⚠ ТБ ДЛЯ МОНТАЖНЫХ РАБОТ

• Используйте только те крепежные винты, которые поставляются с прибором для его установки, либо, при их отсутствии, приобретите винты соответствующего типа. Убедитесь, чтобы внутри изделия не было (для удобства транспортировки) входящих в комплект материалов (например, пакетиков с винтами, гайками и т.д.); при наличии, их следует извлечь и сохранять. • **ПРЕДУПРЕЖДЕНИЕ:** Несоблюдение данных инструкций при установке винтов и фиксирующих приспособлений может повлечь за собой риски, связанные с электричеством. • Отводящая труба не входит в комплект и приобретается отдельно. • Диаметр вытяжного канала должен соответствовать размеру соединительного кольца. • Для установки изделия над варочной поверхностью придерживайтесь высоты, указанной на чертежах. • Миним. расстояние от опорной поверхности емкостей на конфорке и нижней частью вытяжки для кухни должно быть не менее 50 см в случае электрических плит, и не менее 65 см в случае газовых или смешанного типа. • Если в инструкции по установке газовой плиты указано большее расстояние, это необходимо учитывать.

⚠ ТБ ПРИ ПОДКЛЮЧЕНИИ К ЭЛЕКТРОСЕТИ

• Напряжение сети должно соответствовать напряжению, указанному на табличке с характеристиками, расположенной внутри изделия. • Если продукт оснащен вилкой, подключите продукт к розетке, соответствующей действующим нормам, и расположенной в зоне, доступной и после завершения установки. • Если вилка отсутствует (прямое подключение к сети) или вилка находится в недоступном месте и после установки, примените соответствующий стандартам биполярный переключатель, который обеспечивает полное отключение от сети в условиях III категории перенапряжения, в соответствии с правилами установки. • Изделие оснащено специальным кабелем питания; при его повреждении, запросите новый у службы технической поддержки.

• **Внимание!** Перед подключением устройства к сети питания и проверкой правильности работы, обязательно убедитесь в том, что кабель питания подключен правильно.

Внимание! Не используйте устройство с программатором, таймером, отдельным пультом дистанционного управления или любым другим

устройством, которое включается автоматически.

■ УКАЗАНИЯ ПО ИСПОЛЬЗОВАНИЮ

Рекомендации по правильной эксплуатации оборудования с целью уменьшения воздействия на окружающую среду: В начале готовки включайте прибор на минимальную скорость и оставляйте включенным на несколько минут после завершения процесса готовки. Следует увеличивать скорость только при наличии большого количества дыма и пара и использовать функцию Boost только в исключительных случаях. Для поддержания эффективности системы удаления запахов следует заменять по мере необходимости угольный(-е) фильтр(ы). Для поддержания эффективности жирового фильтра необходимо по мере необходимости его очищать. Для оптимизации эффективности и уменьшения шума следует использовать воздуховоды максимального диаметра, указанного в данном руководстве.

■ УТИЛИЗАЦИЯ ПО ОКОНЧАНИИ СРОКА СЛУЖБЫ

Этот аппарат маркирован классификационным знаком в соответствии с Директивой 2012/19/ЕС - UK SI 2013 No.3113, Об отходах электрического и электронного оборудования (WEEE). Контролируя, чтобы этот продукт утилизировался должным образом. Пользователь помогает предотвратить возможные негативные последствия для окружающей среды и здоровья.



Этот символ на изделии или прилагаемой к нему документации указывает на то, что данное устройство не должно утилизироваться как бытовые отходы. Его следует сдать в соответствующий сборочный пункт, занимающийся переработкой электрического и электронного оборудования. Утилизируйте согласно местным нормативам по переработке отходов. Для получения дополнительной информации по обращению с данным изделием, переработке и утилизации, следует обратиться в соответствующий местный орган, в службу сбора бытовых отходов или в магазин, где был приобретен прибор.

■ НОРМАТИВНЫЕ ДОКУМЕНТЫ

Оборудование спроектировано, испытано и изготовлено согласно следующим стандартам безопасности: EN/IEC 60335-1; EN/IEC 60335-2-31; EN/IEC 62233. Рабочие характеристики: EN/IEC 61591; ISO 5167-1; ISO 5167-3; ISO 5168; EN/IEC 60704-1; EN/IEC 60704-2-13; EN/IEC 60704-3; ISO 3741; EN 50564; IEC 62301. ЭМС: EN 55014-1; CISPR 14-1; EN 55014-2; CISPR 14-2; EN/IEC 61000-3-2; EN/IEC 61000-3-3.

■ ЭКСПЛУАТАЦИЯ

Система удаления паров может изготавливаться в вытяжном исполнении, с выводом паров наружу, или фильтрующем исполнении, с рециркуляцией.

● Вытяжная версия:

Пары отводятся наружу через выпускную трубу, прикрепленную к соединительному фланцу.

ВНИМАНИЕ! Если изделие оснащено угольным фильтром (фильтрами), его необходимо удалить.

Подсоедините изделие к вытяжным трубам и отверстиям в стене, имеющим диаметр, который равен диаметру выходного отверстия (соединительного фланца).

Использование вытяжных труб и отверстий в стене с меньшим диаметром приведет к ухудшению рабочих характеристик системы вытяжки и существенному увеличению уровня шума.

Поэтому в подобных случаях производитель снимает с себя всякую ответственность.

- Длина канала должна быть не менее необходимой.
- Используйте канал с минимально возможным количеством изгибов (максимальный угол изгиба: 90°).
- Не допускайте существенного изменения сечения канала.

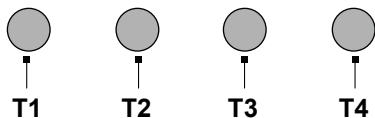
● Фильтрующая версия:

Всасываемый воздух обезжиривается и дезодорируется перед возвратом в помещение. Для использования изделия в этой версии необходимо установить дополнительную систему фильтрации на основе активированного угля.

■ СБОРКА ПЕРЕД УСТАНОВКОЙ

- Убедитесь, что приобретенное изделие имеет размеры, подходящие для выбранной зоны установки.
- Снимите фильтр(ы) с активированным углем, если они поставляются (см. также соответствующий раздел).
- Его необходимо установить, только если вы хотите использовать изделие в фильтрующей версии.
- Если имеются коволевые панели и/или стены и/или навесные шкафы, проверьте, достаточно ли места для установки изделия и всегда ли возможен легкий доступ к панели управления.
- Вытяжка оснащена дюбелями, подходящими для большинства стен/потолков. Однако необходимо связаться с квалифицированным специалистом, чтобы убедиться в соответствии материалов типу стен/потолка. Стена/потолок должны быть достаточно прочными, чтобы выдерживать вес вытяжки.

■ РАБОТА УСТРОЙСТВА



T1. Выключатель освещения ON/OFF.

T2. Выключатель OFF/скорость 1

T3. Переключатель скорости 2

T4. Переключатель скорости 3

■ УКАЗАНИЯ ПО ТЕХНИЧЕСКОМУ ОБСЛУЖИВАНИЮ

• **Очистка:** Для очистки используйте только мягкую ткань, смоченную нейтральным моющим средством. Не применяйте инструменты или какие-либо приспособления для очистки.

• Избегайте использования абразивных средств. НЕ ИСПОЛЬЗУЙТЕ СПИРТ!



Для ухода за изделием см. изображения после установки, отмеченные этим символом.

• **Жироулавливающий фильтр:** Металлический жироулавливающий фильтр подлежит чистки раз в месяц с применением не едких детергентов. Его можно чистить вручную или в посудомоечной машине в режиме низких температур с коротким циклом. Чтобы снять жироулавливающий фильтр, потяните за ручку расцепления с пружиной.

• Жироулавливающий фильтр служит для удержания частиц жира, образующихся при приготовлении пищи. При мойке в посудомоечной машине металлический жироулавливающий фильтр может обесцветиться, однако его фильтрующие характеристики совершенно не изменятся.

• **Угольный фильтр (только для фильтрующей версии):** Необходимо заменять картридж не реже одного раза в четыре месяца. Его НЕВОЗМОЖНО помыть или регенерировать. Как указано в разделе чертежей: снимите жироулавливающие фильтры, установите по одному угольному фильтру с каждой стороны и прикрепите его к изделию. Снова установите жироулавливающие фильтры.

• Угольный фильтр служит для удержания неприятных запахов, образующихся при приготовлении пищи. • Насыщение угольного фильтра происходит после длительного использования в зависимости от типа кухни и регулярности очистки жироулавливающего фильтра.

Подсветка

• Система освещения основана на светодиодной технологии. Светодиоды гарантируют оптимальное освещение, имеют срок службы до 10 раз дольше, чем у традиционных ламп, и позволяют сэкономить 90 % электроэнергии.

• **Система подсветки:** Пользователь не может производить замену системы подсветки. В случае неполадок связывайтесь со службой технической поддержки.

УК

Виріб призначений для відсмоктування димів і випарів, що виникають при готуванні, для застосування тільки в домашньому господарстві.

Неухильно дотримуватися інструкцій, наведених в цьому посібнику. Ми знімаємо будь-яку відповідальність за будь-які несправності, пошкодження або пожежу, спричинені виробом через недотримання інструкцій, що містяться в цьому посібнику.

Пристрій може мати інший зовнішній вигляд, ніж той, що зображений на малюнках в цій інструкції, однак вказівки з використання, обслуговування і встановлення залишаються такими ж самими.

• Важливо зберігати всі посібники, що супроводжують виріб, щоб мати можливість ознайомитися з ними в будь-який час. У випадку продажу, передачі або переміщення переконайтеся, що посібник залишиться разом з пристроєм. • Уважно прочитайте інструкції: вони містять важливу інформацію зі встановлення, використання та безпеки. • Переконайтеся у відсутності пошкоджень пристрою перед встановленням. При їх наявності зверніться до продавця і не продовжуйте установку.

■ ПРИМІТКИ



: деталі, позначені цим символом, можна придбати окремо у спеціалізованих дилерів.

* : деталі, позначені цим символом, є додатковими аксесуарами, що постачаються лише в деяких моделях та можуть бути придбані на веб-сайтах www.elica.com и www.shop.elica.com.

■ БЕЗПЕКА ТА НОРМАТИВНІ ДОКУМЕНТИ

⚠ ЗАГАЛЬНІ ПРАВИЛА ТЕХНІКИ БЕЗПЕКИ

• Не вносьте змін ні в електричну, ні в механічну частину виробу або вихлопні труби. • Перед будь-яким очищенням або обслуговуванням, відключіть пристрій від мережі електроживлення, витягнувши вилку або вимкнувши загальний вимикач приміщення. • Під час всіх операцій по встановленню та обслуговуванню

використовуйте рукавички. • Пристроєм можуть користуватися діти віком не менше, ніж 8 років, а також особи з обмеженими фізичними можливостями, сенсорними або розумовими, або такі, що не мають досвіду або знань, але лише під наглядом, або після того, як вони отримали відповідні інструкції щодо безпечного використання пристрою та зрозуміли усю небезпеку, пов'язану з його використанням. • Необхідно наглядати за дітьми, щоб вони не гралися з приладом. • Очищення та обслуговування приладу не може виконуватися дітьми без нагляду. • Приміщення має бути обладнане досить ефективною системою вентиляції, якщо прилад використовується одночасно з іншими пристроями, що працюють на газу або іншому паливі. • Прилад слід почастише очищати як усередині, так і зовні (МІНІМУМ РАЗ НА МІСЯЦЬ). У будь-якому випадку, слідуйте вказівкам, приведеним в керівництві по техобслуговуванню. • Недотримання правил очищення приладу, а також правил заміни і очищення фільтрів тягне за собою небезпеку займання. • Категорично заборонено приготування їжі на відкритому вогні під виробом. • УВАГА: Коли варильна поверхня увімкнена, доступні частини приладу можуть нагріватися. • Не підключайте прилад до електричної мережі до повного завершення операцій установки. • Що стосується заходів безпеки і технічних заходів, передбачених для випуску димів і випарів - строго дотримуйтеся вприспис місцевих компетентних установ. • Усмоктуване повітря не можна виводити в канал, який використовується для відведення димових газів, що генеруються пристроями для спалювання газу або інших видів палива. • Не використовуйте та не залишайте витяжку без належного встановлення ламп, оскільки це може призвести до ураження електрострумом. • Ні В ЯКОМУ РАЗІ не користуйтеся приладом без правильно встановленої решітки. • Виріб Ні В ЯКОМУ РАЗІ не можна використовувати як опору поверхню, якщо це не вказано явним чином.

• Для заміни використовуйте тільки той тип ламп, який зазначено в розділі технічного обслуговування системи освітлення цього посібника. • Використання відкритого полум'я шкодить фільтрам і може призвести до пожежі, тому цього слід уникати в будь-якому випадку. • Смажити їжу потрібно з обережністю, щоб нагріте масло не спалахнуло. • Якщо ви сумніваєтеся, зверніться до авторизованого сервісного центру або відповідного кваліфікованого персоналу.

⚠ ТБ ДЛЯ МОНТАЖНИХ РОБІТ

• Використовуйте тільки ті кріпильні гвинти, які поставляються з приладом для його установки, або, при їх відсутності, придбайте гвинти відповідного типу. Переконайтеся, щоб усередині виробу не було (для зручності транспортування) матеріалів, що входять в комплект (наприклад, пакетиків з гвинтами, гарантії і т.д.); при наявності, їх слід витягнути і зберігати. •

ПОПЕРЕДЖЕННЯ: Неправильна установка гвинтів і кріпильних виробів, не у відповідності до цих інструкцій, може призвести до небезпеки ураження електричним струмом. • Вивідна труба не постачається в комплекті і повинна бути придбана окремо. • Діаметр вивідної труби повинен дорівнювати діаметру з'єднувального кільця. • Для установки виробу над варильною поверхнею дотримуйтеся висоти, зазначеної на кресленнях. • Мінімум відстань від опорної поверхні посудин на конфорці і нижньою частиною витяжки для кухонь повинно бути не менше 50 см в разі електричних плит, і не менш 65 см в разі газових або змішаного типу. • Якщо в інструкції по установці газової плити вказано більшу відстань, це необхідно враховувати.

⚠ ТБ ПРИ ПІДКЛЮЧЕННІ ДО ЕЛЕКТРОМЕРЕЖІ

• Напруга мережі повинно відповідати значенню, надrukovanому на табличці з характеристиками, розташованій усередині виробу. • Якщо продукт оснащений вилкою, підключіть продукт до розетки, відповідної діючим нормам, і розташованій в зоні, доступною і після завершення установки. • Якщо вилка відсутня (пряме підключення до мережі) або вилка знаходиться в недоступному місці і після установки, застосуєте відповідний стандарт біполярний перемикач, який забезпечує повне відключення від мережі в умовах III категорії перенапруги, відповідно до правил установок. • Виріб оснащений спеціальним кабелем електроживлення; при його пошкодженні, зверніться до служби технічної допомоги за новим.

• **Увага!** Перед тим, як під'єднувати контур до мережі і перевіряти правильність роботи, завжди перевіряйте, щоб кабелі живлення був правильно змонтовані.

Увага! Не використовуйте прилад з програматором, таймером, окремим дистанційним керуванням або будь-яким іншим пристроєм, який активується автоматично.

■ РЕКОМЕНДАЦІЇ З ВИКОРИСТАННЯ

Поради для належного використання в цілях зниження впливу на навколишнє середовище: На початку приготування увімкніть прилад на мінімальну швидкість та залиште її увімкненою на деякий час також після закінчення приготування. Збільшуйте швидкість тільки в разі великої кількості диму і пари, використовуючи функцію booster лише в окремих випадках. Для підтримки ефективності системи для зменшення запахів, замініти при необхідності вугільний/фільтр/и. Для підтримки ефективної роботи жирового фільтра, очищуйте його в разі потреби. Для оптимізації ефективності та зниження рівня шуму, використовуйте максимальний діаметр системи повітропроводів, як описано в цьому посібнику.

■ УТИЛІЗАЦІЯ ПІСЛЯ ЗАКІНЧЕННЯ ТЕРМІНУ СЛУЖБИ



Цей апарат маркований класифікаційним символом відповідно до Директиви 2012/19/ЕС - UK SI 2013 №.3113, Про відходи електричного та електронного обладнання (WEEE). Контролюючи, щоб цей продукт утилізували належним чином. Користувач допомагає запобігти можливим негативним наслідкам для навколишнього середовища і здоров'я.

Символ на самому виробі або супроводжуючій документації вказує, що при утилізації даного виробу з ним не можна поводитися як з будь-якими іншими побутовими відходами. Натомість його слід віддавати у відповідний пункт прийому електричного та електронного обладнання для подальшої утилізації. Утилізуйте його відповідно до місцевих правил утилізації відходів. За більш докладнішою інформацією про правила поводження з такими виробами, їх утилізації та переробки звертайтеся в місцеві органи влади, в службу по утилізації відходів або в магазин, в якому був придбаний даний пристрій.

■ НОРМАТИВНІ ДОКУМЕНТИ

Устаткування спроектовано, протестовано та виготовлено згідно з такими стандартами безпеки: EN/IEC 60335-1; EN/IEC 60335-2-31, EN/IEC 62233. Робочі характеристики: EN/IEC 61591; ISO 5167-1; ISO 5167-3; ISO 5168; EN/IEC 60704-1; EN/IEC 60704-2-13; EN/IEC 60704-3; ISO 3741; EN 50564; IEC 62301. EMC: EN 55014-1; CISPR 14-1; EN 55014-2; CISPR 14-2; EN/IEC 61000-3-2; EN/IEC 61000-3-3.

■ ВИКОРИСТАННЯ

Систему витяжки можна використовувати в режимі всмоктування та відведення назовні або у режимі фільтрації з внутрішньою рециркуляцією.

● Варіант із всмоктуванням:

Пара виводиться назовні через витяжну трубу, закріплену на з'єднувальному фланці.

УВАГА! Якщо виріб оснащено вугільним фільтром(-ами), його/їх необхідно видалити.

Під'єднайте виріб до витяжних труб і отворів в стіні, що мають діаметр, який дорівнює діаметру вихідного отвору (сполучного фланця).

Використання труб і настінних випускних отворів меншого діаметра призведе до зменшення продуктивності всмоктування і різкого збільшення рівня шуму.

В цьому випадку виробник не несе жодної відповідальності.

- Використовуйте канал мінімально необхідної довжини.
- Використовуйте канал з якомога меншою кількістю вигинів (максимальний кут: 90°).

- Уникайте різких змін в перерізі каналу.

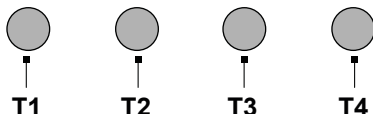
● Варіант з фільтрацією:

Повітря, що всмоктується, знежирюється та дезодорується перед поверненням у приміщення. Для використання виробу в цій версії необхідно встановити додаткову систему фільтрації на основі активованого вугілля.

■ СКЛАДАННЯ ПЕРЕД УСТАНОВЛЕННЯМ

- Переконайтеся, що придбаний виріб відповідає розмірам обраного місця встановлення.
- Зніміть фільтр(и) з активованим вугіллям, при наявності (див. також відповідний розділ).
- Його/їх потрібно встановити, лише якщо ви хочете використовувати виріб у версії з фільтрацією.
- Якщо є бічні панелі та/або стіни та/або настінні меблі, перевірте, чи є достатньо місця для встановлення виробу та можливість легкого доступу до панелі керування.
- Виріб оснащено дюбелями, які підходять для більшості стін/стел. Однак необхідно звернутися до кваліфікованого фахівця, щоб визначити придатність матеріалів відповідно до типу стіни/стелі. Стіна/стеля повинні бути достатньо міцними, щоб витримати вагу витяжки.

■ РОБОТА ПРИСТРОЮ



- T1. Вимикач світла ON/OFF.
- T2. Вимикач OFF/швидкість 1
- T3. Перемикач швидкості 2
- T4. Перемикач швидкості 3

■ ВКАЗІВКИ ЩОДО ТЕХНІЧНОГО ОБСЛУГОВУВАННЯ

- **Очищення:** Під час очищення використовуйте виключно вологу тканину з нейтральним миючим засобом. Не використовуйте інструменти та прилади під час очищення.
- Уникайте використання абразивних засобів. НЕ ВИКОРИСТОВУЙТЕ СПИРТ!



Для догляду за виробом див. зображення в кінці установки, позначені цим символом.

ЖА Жировловлювальний фільтр: Металевий жировловлюючий фільтр підлягає щиченню раз на місяць із застосуванням не їдких миючих засобів. Його можна чистити вручну або в посудомийній машині в режимі низьких температур з коротким циклом. Щоб зняти жировловлюючий фільтр, потягніть за ручку розчеплення з пружиною.

- Жировловлювальний фільтр затримує частинки жиру, що утворюються під час приготування їжі. При митті в посудомийній машині, жировий фільтр може знебарвитися, але його фільтрувальні властивості залишаються незмінними.

ЖВ Вугільний фільтр (тільки для версії з фільтрацією): Необхідно замінювати картридж не рідше одного разу на чотири місяці. Його НЕМОЖЛИВО помити або регенерувати. Як зазначено в розділі креслень: зніміть жировловлюючі фільтри, встановіть по одному вугільному фільтру з кожного боку і прикріпіть його до виробу. Знову встановіть жировловлюючі фільтри.

- Вугільний фільтр затримує неприємні запахи, що утворюються під час приготування їжі. • Насичення фільтрів для поглинання запахів відбувається після тривалого використання залежно від типу кухні і регулярності очищення жировловлювального фільтру.

Освітлення

- Система освітлення базується на світлодіодній технології. Світлодіоди гарантують оптимальне освітлення та мають термін служби до 10 разів більше, ніж у традиційних ламп, і дозволяють заощадити 90 % електроенергії.

- Система підсвічування: Користувач не може робити заміну системи підсвічування. У разі неполадок зв'яжіться зі службою технічної підтримки.

КК

Бұл құрылғы тамақ пісіру кезінде шығатын түтін мен буды сорып, сыртқа шығаруға және тек үйде қолдануға арналған.

Осы нұсқаулықта берілген нұсқауларды қатаң қадағалаңыз. Біз осы нұсқаулықта келтірілген нұсқауларды орындамау нәтижесінде бұйымға келтірілген кез келген қолайсыздық, зақым немесе өрт үшін жауап бермейміз.

Бұл өнім оқулықтағы суреттерде берілгеннен өзгеше эстетикалық функцияларға ие болуы мүмкін, алайда, жұмыс істеуі, техникалық қызмет көрсету және орнату бірдей болады.

- Бұйыммен бірге берілген барлық нұсқаулықтарды қажет кезде қол астында болатындай жерде сақтау маңызды. Сату, беру немесе жылжыту жағдайында олардың өнімімен бірге беріңіз. • Нұсқауларды мұқият оқыңыз: онда орнатуға, іске қосуға және қауіпсіздікке қатысты маңызды ақпарат беріледі. • Орнатпас бұрын

өнімнің толықтығын тексеріңіз. Болмаса дилерге хабарласып, орнатуды тоқтатыңыз.

ЕСКЕРТПЕЛЕР



осы таңбамен белгіленген бөлшектерді мамандандырылған дилерлерден бөлек сатып алуға болады.

- * : бұл таңбамен белгіленген бөлшектер тек кейбір модельдермен бірге жеткізілетін қосымша керек-жарақтар болып табылады және оларды www.elica.com және www.shop.elica.com сайттарынан сатып алуға болады.

ТЕХНИКАЛЫҚ ҚАУІПСІЗДІК ЕРЕЖЕЛЕРІ

ЖАЛПЫ ҚАУІПСІЗДІК

- Өнімнің немесе шығару құбырларының электрлік желілеріне немесе құрылымына өзгерістер енгізбеңіз.
- Кез келген тазалау немесе техникалық қызмет көрсету алдында өнімді розеткадан суырыңыз немесе қосқышты өшіріңіз. •Барлық орнату және күтім көрсету жұмыстарын орындаған кезде әрқашан жұмыс қолғабын киіңіз. •Бұл өнімді 8 жастан асқан балалар, сондай-ақ физикалық, сезу немесе ақыл-ой қабілеттері шектелген адамдар немесе құрылғыны пайдалану тәжірибесі немесе қажетті білімі жоқ адамдар олардың қауіпсіздігіне жауап беретін басқа адамның бақылауынсыз немесе құрылғыны қауіпсіз пайдалану және оның қауіптілігін түсіну туралы нұсқаулар алмайынша қолданбауы керек. •Балалардың осы өніммен ойнамауын қадағалаңыз. •Тазалау және күтім көрсету жұмыстарын балалар тиісті бақылаусыз орындамаулары керек. •Егер өнім газды немесе басқа отынды жағатын басқа құрылғылармен бір уақытта қолданылса, бөлме жеткілікті түрде желдетілуі керек.
- Өнімнің ішін де, сыртын да жиі тазалап отыру керек (КЕМІНДЕ БІР АЙДА БІР РЕТ); әрқашан пайдалану нұсқаулығында берілген нұсқауларды орындаңыз.
- Өнімді тазарту және сүзгілерді ауыстыру / тазалау жөніндегі нұсқаулықтың орындалмауы өрт қаупіне әкелуі мүмкін. •Бұл өнімді жалынды отпен тамақ пісіргенде пайдалануға қатаң тыйым салынады. •ЕСКЕРТУ: •Өнім қосулы болған кезде оның қолжетімді бөліктері қызып кетуі мүмкін. •Орнату жұмыстары толық аяқталғанша, құрылғыны электр желісіне қоспаңыз. •Жергілікті билік органдары бекіткен, түтін шығаруға байланысты қауіпсіздік техникасы және қауіпсіздік шаралары бойынша ережелер қатаң сақталуы керек. •Шығарылған ауа газ жағатын құрылғылар не басқа да жағу құрылғылары тудыратын түтінді жою үшін пайдаланылатын құбырлар арқылы жіберілуі керек. •Өнімді дұрыс орнатылмаған шамдармен пайдаланбаңыз немесе

қалдырмаңыз, себебі бұл тоқ соғу қаупіне әкелуі мүмкін. • Торды дұрыс орнатпайынша, бұл өнімді ЕШҚАШАН пайдаланбаңыз. • Егер басқалай айқын түрде рұқсат етілмесе, өнімді тіреуші бет ретінде ЕШҚАШАН пайдалануға болмайды.

• Шамды ауыстыру үшін осы нұсқаулықтың "Техникалық қызмет көрсету/жарықтандыру жүйесі" бөлімінде көрсетілген шам түрін ғана пайдаланыңыз. • Отты пайдалану сүзгілерді зақымдауы және өрт қаупін тудыруы мүмкін, сондықтан ондай жағдайға ешқашан жол берілмеуі керек. • Май қатты қызып кетіп, өртенуіне жол бермеу үшін қуыру кезінде аса сақ болған жөн. • Күмән болған жағдайда уәкілетті қызмет көрсету орталығымен немесе сол сияқты білікті маманмен хабарласыңыз.

▲ ОРНАТУ ҚАУІПСІЗДІГІ

• Өнімді орнату үшін онымен бірге берілетін бекіткіш бұрандаларды тек тиісті бетке ғана пайдаланыңыз; болмаса, дұрыс бұранда түрлерін сатып алыңыз. • Өнімнің ішіндегі (тасымалдау мақсатында салынған) керек-жарақтардың (мысалы, бұрандалар салынған қалташықтар, көпідік куәліктері және т.б.) бар-жоғына көз жеткізіңіз. Егер ондай нәрселер болса, оларды алып, қауіпсіз жерде сақтаңыз. • ЕСКЕРТУ: Бұрандалар мен ысырмаларды ос нұсқауларға сай орнатпасаңыз, электр тогы қаупі орын алуы мүмкін. • Шығару құбыры бірге берілмейді және ол бөлек сатып алынуы керек. • Соғғыш құбырдың диаметрі жалғағыш сақинаның диаметріне сай келуі керек. • Өнімді плита үстіне орнатқан кезде, сызбаларда көрсетілген биіктікті сақтаңыз. • Плитадағы ыдыстың беті мен түтінсорғының төменгі бөлігі арасындағы минималды арақашықтық электр плиталары үшін кемінде 50 см, ал газ немесе аралас пештер үшін 65 см болуы керек. • Егер газ плитасын орнату нұсқаулығында бұдан үлкенірек арақашықтықтар көрсетілген болса, оларды сақтаңыз.

▲ ЭЛЕКТРЛІК БАЙЛАНЫСТАР ҚАУІПСІЗДІГІ

• Қуат көзіндегі кернеудің сипаттамалары өнімнің ішінде орналасқан деректер жапсырмасындағы кернеу сипаттамаларына сәйкес келуі керек. • Егер өнім қуат сымы ашасымен жабдықталған болса, оны қолданыстағы стандарттарға сәйкес келетін және орнатқаннан кейін де қол жетімді болатын розеткаға қосыңыз. • Егер өнімнің қуат ашасы болмаса (электр желісіне тікелей қосылатын болса) немесе қуат ашасы қол жетпейтін жердегі розеткаға жалғанатын болса, тіпті орнатқаннан кейін де, стандартты екі полюсті ажыратып-қосқышты орнату ережелеріне сәйкес сай қосымша орнату арқылы III санаттағы артық кернеу болған жағдайларда құрылғыны желіден толық ажырату мүмкіндігін қамтамасыз етіңіз. • Құрылғы

арнайы қуат кабелімен жабдықталған; егер кабель зақымданған болса, оны ауыстыру үшін қызмет көрсету орталығына хабарласыңыз.

● **Есіңізде болсын!** Электр желісіне қайта қоспас бұрын, оның дұрыс жұмыс істейтініне көз жеткізіңіз, әрқашан қуат кабелінің дұрыс орнатылғанын тексеріңіз.

Ескеріңіз! Автоматты түрде іске қосылатын бағдарламалаушымен, таймермен, бөлек пультпен немесе кез келген басқа құрылғымен пайдаланбаңыз.

■ ДҰРЫС ПАЙДАЛАНУ ҰСЫНЫСТАРЫ

Қоршаған ортаға келетін әсерді азайту үшін дұрыс пайдалану нұсқаулары: Тамақ пісіруді бастаған кезде құрылғыны ең аз жылдамдыққа қосу керек және оны пісіру аяқталғаннан кейін де бірнеше минутқа қосулы күйде қалдырыңыз. Жылдамдықты тек түтін мен бу көп болса ғана, шұғыл жағдайларда ғана Тездету (Booster) функциясы арқылы арттырыңыз. Иісті азайту жүйесінің тиімді жұмысын сақтау үшін, көмір сүзгісін (перін) қажет болғанда ауыстырып тұрыңыз. Май сүзгісі жақсы жұмыс істеуі үшін оны қажетінше тазалап тұрыңыз. Тиімділікті арттырып, шуды азайту үшін, осы нұсқаулықта көрсетілген максималды құбыр диаметрін пайдаланыңыз.

■ МЕРЗІМ СОҢЫНДА ТАСТАУ

Бұл құрылғы Қолданылған электрондық және электрлік құрылғыларға (WEEE) қатысты 2012/19/EC - UK SI 2013 №3113 Еуропалық Директивасына сай таңбаланған. Осы өнімді тастауды тиісті түрде орындаңыз. Осылайша пайдаланушы қоршаған орта мен денсаулыққа жағымсыз салдардың алдын алуға көмектеседі.



Өнімдегі не ілеспе құжаттардағы осы таңба бұл өнімнің тұрмыстық қалдықпен бірге тасталмай, электр және электрондық жабдықтарды қайта пайдалану үшін тиісті жинау пункттеріне жіберілуі керектігін білдіреді. Оны жергілікті қоқыс тастау ережелеріне сәйкес тастаңыз. Бұл өнімді пайдалану, қалпын келтіру және қалпына келтіру туралы қосымша ақпарат алу үшін жергілікті уәкілетті мекемеге, тұрмыстық қалдықтарды жинау қызметіне немесе өнімді сатып алған дүкенге хабарласыңыз.

■ ЕРЕЖЕЛЕР

Бұл құрылғы мына қауіпсіздік стандартының ережелеріне сәйкес жасалды, сыналды және өндірілді: EN/IEC 60335-1; EN/IEC 60335-2- 31, EN/IEC 62233. Өнімділігі: EN/IEC 61591; ISO 5167-1; ISO 5167-3; ISO 5168; EN/IEC 60704-1; EN/IEC 60704-2-13; EN/IEC 60704-3; ISO 3741; EN 50564; IEC 62301. ЭМУ: EN 55014-1; CISPR 14-1; EN 55014-2; CISPR 14-2; EN/IEC 61000-3-2; EN/IEC 61000-3-3.

■ ПАЙДАЛАНУ

Бұл түтін шығару жүйесін мұржалы нұсқада немесе сүзгілі және ішкі айналымы бар рециркуляциялық нұсқада қолдануға болады.

● Мұржалы нұсқа:

Бөлінетін бу жалғау фланеціне бекітілген ауа сору құбыры арқылы сыртқа шығарылады.

САҚ БОЛЫҢЫЗ! Егер өнім бір немесе бірнеше көмір сүзгілерімен жабдықталған болса, оларды алып тастау керек.

Өнімді диаметрі ауа шығысына (жалғау фланеці) сай келетін қабырғаға орнатылған сорғыш құбырларға және саңылауларға жалғаңыз.

Құбырлар мен қабырғадағы шағын диаметрлі шығыс тесіктерді пайдалану түтін сорғыштың тиімділігін төмендетеді және шу деңгейін күрт арттырады.

Осыған байланысты барлық жауапкершіліктерден бас тартылады.

- Ауа соратын шығаратын құбыр мүмкін болса барынша қысқа болғаны жөн.
- Құбырдағы бұрылыстар неғұрлым аз болғаны жөн (максималды иілу бұрышы: 90°).
- Құбыр диаметрінің күрт өзгеруіне жол бермеңіз.

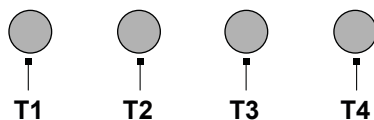
● Рециркуляциялық нұсқа:

Сорылған ауа бөлмеге өтпес бұрын майдан және иістерден тазаланады. Өнімді осы нұсқада пайдалану үшін қосымша белсендірілген көмір сүзгі жүйесін орнату қажет.

■ ОРНАТУДЫ БАСТАМАС БҰРЫН ҚҰРАСТЫРУ

- Өнімнің өлшемдері орнатылатын орынға сәйкес келетініне көз жеткізіңіз.
- Белсендірілген көмір сүзгісі(лері) берілген болса, оны алып тастаңыз (тиісті тарауды да қараңыз).
- Егер өнім сүзгімен қолданылса, оны (оларды) қайта орнату керек.
- Егер жан-жағында панельдер және/немесе қабырғалар және/немесе қабырға блоктары болса, өнімді орнатуға жеткілікті орын бар екеніне және басқару тақтасына әрдайым оңай қол жеткізуге болатынына көз жеткізіңіз.
- Бұл өнім көптеген қабырғаларға/төбелерге жарамды бекіту тығандарымен жабдықталған. Дегенмен, материалдар қабырға/төбенің түріне сәйкес келетініне көз жеткізу үшін білікті маманмен кеңесу керек. Қабырға/төбе материалы сорғыштың салмағын көтеру үшін жеткілікті деңгейде мықты болуы керек.

■ ПАЙДАЛАНУ



- T1. Жарықты ҚОСУ/ӨШІРУ қосқышы
- T2. 1-жылдамдық/ӨШІРУ қосқышы
- T3. 2-жылдамдықты таңдау
- T4. 3-жылдамдықты таңдау

■ ТЕХНИКАЛЫҚ ҚЫЗМЕТ КӨРСЕТУГЕ ҚАТЫСТЫ ЕСКЕРТУЛЕР

- **Тазалау:** Тазалау үшін тек бейтарап сұйық жуғыш қоспаға малынған дымқыл шүберекті пайдаланыңыз. Тазалау құралдарын немесе аспаптарын пайдаланбаңыз.
- Абразивті заттарды пайдаланбаңыз. СПИРТТІ ПАЙДАЛАНУҒА БОЛМАЙДЫ!



Өнімге техникалық қызмет көрсету үшін орнату соңында осы таңбамен белгіленген суреттерді қараңыз.

● **ХА Майға қарсы сүзгі:** Майға қарсы металл сүзгі айына бір рет агрессивті емес жуғыш заттармен, қолмен немесе ыдыс жуғыш машинада қысқа уақытта төмен температурада жуылуы керек. Майға қарсы сүзгіні шығарып алу үшін, серіппеден босату тұтқасын тартыңыз.

• Майға қарсы сүзгі тамақ пісіру кезінде пайда шашырайтын май бөлшектерін ұстап қалады. Ыдыс жуғышта тазаланғаннан кейін металл май сүзгісінің түсі оңып кетуі мүмкін, бірақ оның сүзу сипаттамалары өзгеріссіз қалады.

● **ХВ Көмір сүзгі (тек сүзгілі нұсқа үшін):** Картриджді кемінде төрт айда бір рет ауыстыру қажет. Оны жууға немесе қалпына келтіруге БОЛМАЙДЫ. Суреттер бөлімінде көрсетілгендей: майға қарсы сүзгілерді алып тастаңыз, екі жағына көмір сүзгісін салып, оны өнімге бекітіңіз. Майға қарсы сүзгілерді орындарына қайта орнатыңыз.

• Көмір сүзгісі тамақ пісіру кезінде пайда болатын жағымсыз иістерді ұстап қалады. • Ұзақ уақыт қолданғаннан кейін көмір сүзгі иістерге қанығуы мүмкін, бұл пісірілетін тамақ түріне және май сүзгісінің майдан қаншалықты жиі тазаланатынына байланысты.

Жарықтандыру құралдары

- Жарықтандыру жүйесі ДИОДШАМДАРҒА негізделген. Диодшамдар оңтайлы жарықтандыруды қамтамасыз етеді, қарапайым шамдарға қарағанда 10 есе ұзақ қызмет етеді және электр энергиясының 90%

үнемдейді.

● **Жарықтандыру жүйесі** : Жарықтандыру жүйесін пайдаланушы ауыстыра алмайды, егер ол жұмыс істемесе, тұтынушыларға қызмет көрсету орталығына хабарласыңыз.

ET

Toode on mõeldud toiduvalmistamise auru ja suitsu väljatõmbeks ning on mõeldud ainult koduseks kasutamiseks.

Järgige täpselt juhendit. Tootja ei võta vastutust selles kasutusjuhendis toodud nõuete eiramisest tulenevate tootega seotud probleemide, kahjude või tuleõnnetuse korral.

Seadme välimus võib erineda selle juhendi joonistel näidatust, kuid kasutus-, hooldus- ja paigaldusjuhised on sellest hoolimata samad.

• Oluline on hoida alles kõik tootega kaasas olevad juhendid, et saaksite nendega igal ajal tutvuda. Müügi, üleandmise või kolimise korral hoolitsege, et need jääksid toote juurde. • Lugege juhised hoolikalt läbi. Need annavad olulist teavet paigaldamise, kasutamise ja ohutuse kohta. • Enne paigaldama asumist veenduge, et kõik toode osad on terved ja olemas. Vastasel juhul teavitage edasimüüjat ja ärge toodet paigaldage.

■ MÄRKUSED



selle sümboliga tähistatud esemeid saab spetsialiseerunud edasimüüjalt eraldi osta.

* : selle sümboliga tähistatud osad on lisavarustusena saadaval ainult mõne mudeliga ja neid saab osta veebisaitidelt www.elica.com ja www.shop.elica.com.

■ OHUTUS JA MÄÄRUSED



ÜLDINE OHUTUSTEAVE

• Toote elektrilisi ega mehhaanilisi osi ning väljalasketorusid ei tohi muuta. • Enne puhastamist või hooldustoiminguid eraldage toode vooluvõrgust, tõmmates pistiku välja või lülitades välja maja pealüliti. • Kõigil paigaldus- ja hooldustoimingutel kasutage töökindaid. • Lapsed alates 8. eluaastast, piiratud füüsiliste, sensoorsete või vaimsete võimete inimesed ning isikud, kellel puuduvad selleks kogemused või teadmised, tohivad seadet kasutada ainult järelevalve all või kui neid on õpetatud seadet turvaliselt kasutama ning nad mõistavad kasutusest tulenevaid ohte. • Jälgige, et lapsed tootega ei mängiks. • Lapsed ei tohi ilma järelevalveta teha puhastus- ja hooldustöid. • Kui toote paigalduskohas kasutatakse gaasi või mõne muu kütteenäga töötavaid seadmeid, peab olema tagatud piisav ventilatsioon. • Toodet tuleb sageli puhastada nii seest kui ka väljast (VÄHEMALT KORD KUUS), kuid järgige hooldusjuhendis toodud selgeid juhiseid. • Toote

puhastamiseskirjade ja filtrite vahetamise/puhastamise nõude eiramine põhjustab tulekahjuohtu. • Leekide kasutamine toidu valmistamisel selle toote all on rangelt keelatud. • TÄHELEPANU: Kui pliidiplaati töötab, võivad toote ligipääsetavad osad kuumeneda. • Ärge ühendage toodet vooluvõrku enne, kui paigaldamine on lõpule viidud. • Suitsu väljatõmbe tehniliste ja ohutusmeetmete kohaldamisel pidage eranditult kinni kohalike asjakohaste volitatud ametite määrustest. • Puhastatavat õhku ei tohi suunata torusse, mis on mõeldud gaasi või mõne muu kütusega töötava seadme suitsu väljajuhtimiseks. • Ärge kasutage ega jätke toodet ilma korralikult paigaldatud lampideta, see võib kaasa tuua elektrilöögi ohu. • Toodet on keelatud kasutada, kui selle võre ei ole õigesti paigaldatud. • Toodet on keelatud kasutada kande- või toetuspinna, välja arvatud juhul, kui seadmel või juhendis on vastav märg. • Lambi vahetamisel kasutage ainult selle juhendi hoolduse/valgustusüsteemi peatükis toodud lambitüüpi. • Lahtine leek kahjustab filtreid ja võib põhjustada tulekahju, seepärast tuleb seda igal juhul vältida. • Praadimisel olge ettevaatlik, et vältida kuuma õli süttimist. • Kahtluse korral pidage nõu volitatud teeninduskeskuse või sarnase kvalifitseeritud personaliga.

⚠ OHUTUS PAIGALDAMISEL

• Kasutage tootega kaasasolevaid kinnituskruvisid ainult siis, kui need pinnaga sobivad, vastasel juhul ostke õiget tüüpi kruvid. Veenduge, et toote sees (transpordi kaalutlustel) pole dokumente või tarvikuid (näiteks kruvidega ümbrikud, garantiilehed jne). Kui on, tuleks need eemaldada ja säilitada. • HOIATUS: Kruvide ja kinnitusseadmete ebaõige ja juhistele mittevastav paigaldamine võib kaasa tuua elektrilisi ohte. • Evakuaatsioonitoru ei kuulu komplekti ja see tuleb ise osta. • Väljatõmbetoru diameeter peab sobima ühendusrõnga omaga. • Toote paigaldamiseks pliidiplaadile järgige joonistel näidatud kõrgust. • Niimaaone kaugus toiduvalmistamisseadme anumate tugipinna ja õhupuhaсти madalaima osa vahel ei tohi olla elektripliidi korral väiksem kui 50 cm ja gaasi- või segapliidi korral väiksem kui 65 cm. • Kui gaasipliidi paigaldusjuhendis on ette nähtud suurem vahemaa, tuleb seda arvestada.

⚠ OHUTU ELEKTRIÜHENDUS

• Toitepinge peab vastama toote sees oleval andmesidil märgitud pingele. • Kui pistik on kaasas, ühendage toode kehitavatele standarditele vastavasse pistikupessa, mis asub piirkonnas, kuhu pääseab ligi ka pärast paigaldamist. • Kui pistikut pole (otsene ühendus elektrivõrguga) või pistik ei asu pärast paigaldamist juurdepääsetavas kohas, kasutage standardset bipolaarset lülitit, mis tagaks voolutoite täieliku katkestamise ülepinge III kategooria korral. • Toode on varustatud spetsiaalse toitekaabliga; kui kaabel on kahjustatud, küsige uus tehnilise abi keskusest.

• **Tähelepanu!** Enne vooluvõrku uuesti ühendamist ja seadme töötamise kontrollimist veenduge alati, et toitejuhe oleks õigesti paigaldatud.

Tähelepanu! Ärge kasutage koos eraldiseisva programmeerija, taimeriga, kaugjuhtimispuldiga või mõne muu automaatselt aktiveeruva seadmega.

■ **SOOVITUSED KASUTAMISEKS**

Soovitused õigeks kasutuseks, et vähendada keskkonnamõju: Toiduvalmistamist alustades lülitage seadmel sisse kõige väiksem võimsus ning laske sellel töötada ka paar minutit pärast toiduvalmistamise lõpetamist. Suurendage võimsust ainult juhul, kui suitsu ja auru on suures koguses, ning kasutage funktsiooni Booster ainult äärmuslikel juhtudel. Et lõhnade vähendamise süsteem püsiks tõhus, asendage (sõe)filter/filtrid vajaduse korral uutega. Et rasvafilter püsiks tõhus, puhastage seda vajaduse ilmnemisel. Tõhususe optimeerimiseks ja müra minimeerimiseks kasutage selles kasutusjuhendis märgitud maksimaalset kanalisatsioonisüsteemi diameetrit.

■ **KASUTUSELT KÕRVALDAMINE**

See seade on märgistatud vastavalt Euroopa direktiivile 2012/19/EÜ, UK SI 2013 nr 3113, elektri- ja elektroonikaseadmete jäätmed (WEEE). Tagage toote nõuetekohane utiliseerimine. Kasutaja saab aidata vältida võimalikke negatiivseid tagajärgi keskkonnale ja tervisele.

Tootel või sellega kaasas oleval dokumentatsioonil olev sümbol näitab, et toodet ei tohi käsitleda olmeprügina, vaid see tuleb anda ümbertöötlemiseks elektri- ja elektroonikaromude kogumispunkti. Kõrvaldage toode, järgides kohalikke jäätmekäitlusnõudeid. Lisateavet toote käitlemise, taaskasutuse ja ümbertöötuse kohta saab kohalikust asjakohasest ametist, olmejäätmete kogumispunkti või poest, kust toote ostsite.

■ **MÄÄRUSED**

Seade on projekteeritud ja valmistatud ning seda on katsetatud kooskõlas järgmiste ohutusstandarditega: EN/IEC 60335-1; EN/IEC 60335-2-31; EN/IEC 62233. Jõudlus: EN/IEC 61591; ISO 5167-1; ISO 5167-3; ISO 5168; EN/IEC 60704-1; EN/IEC 60704-2-13; EN/IEC 60704-3; ISO 3741; EN 50564; IEC 62301. ELEKTROMAGNETILINE ÜHILDUVUS: EN 55014-1; CISPR 14-1; EN 55014-2; CISPR 14-2; EN/IEC 61000-3-2; EN/IEC 61000-3-3.

■ **KASUTAMINE**

Tõmbeventilaatorit saab kasutada välise väljatõmberežiimiga või sisemise filtritel põhineva ringlussüsteemiga.

•  **Õhu väljatõmbega versioon**

Aur juhitakse välja väljalasketoru kaudu, mis on kinnitatud ühendusääriku külge.

TÄHELEPANU! Kui toode on varustatud söefiltri(te)ga, tuleb see (need) eemaldada.

Ühendage toode torude ja seinade väljalaskevaga. Väljalaskevaga ja seinade ava (ühendustoru flantsi) diameetrid peavad sobituma.

Kui torude ja seinade väljalaskevade diameeter on väiksem, on õhu väljatõmbe võimsus väiksem ja müra oluliselt suurem.

Sellisel juhul ei võta tootja endale vastutust.

- Torustik peaks olema võimalikult lühike.
- Püüdkte minimeerida torustiku käänakute arvu (käänaku maksimaalne nurk: 90°).
- Vältige torustiku järske suunamuutusi.

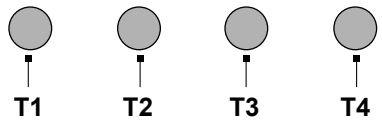
•  **Filtersüsteem**

Sisse imetud õhust eemaldatakse rasv ja lõhnad, seejärel suunatakse see tuppa tagasi. Toote kasutamiseks selles versioonis on vaja paigaldada täiendav aktiivsoel põhinev filtrereimisüsteem.

■ **KOKKUPANEK ENNE PAIGALDAMIST**

- Kontrollige, kas ostetud toote mõõtmed sobivad valitud paigaldamiskohaga.
- Eemaldage aktiivsoefilter (filtrid), kui need on komplektis (vt ka vastavat lõiku).
- Filtrid tuleb tagasi panna ainult siis, kui soovite toodet kasutada filtrereimisversioonis.
- Kui seadmel on külpaneelid ja/või seinad ja/või seinaelemendid, kontrollige, et toote paigaldamiseks oleks piisavalt ruumi ja et juhtpaneelile oleks lihtne ligi pääseda.
- Toode on varustatud kinnitustüüblitega, mis sobivad enamiku seinte/lagede korral. Sellegipoolest pidage nõu kvalifitseeritud tehnikuga, et teha kindlaks materjalide sobivus seinalaetüübiga. Sein/lagi peab olema piisavalt tugev, et kanda õhupuhasti raskust.

■ **TÖÖTAMINE**



- T1. Valguse ON/OFF-lüliti
- T2. OFF / 1. kiiruse lüliti
- T3. 2. kiiruse lüliti
- T4. 3. kiiruse lüliti

■ **HOOLDUSEGA SEOTUD HOIATUSED**

- **Puhastamine:** Puhastamiseks tohib kasutada ainult neutraalse vedela puhastusvahendiga niisutatud lappi. Puhastamiseks ei tohi kasutada töõriistu ega -vahendeid.
- Vältige abrasiivseid aineid sisaldavate toodete kasutamist. ÄRGE KASUTAGE ALKOHOLI.



Toote hoolduse kohta vaadake selle sümboliga tähistatud pilte paigalduse jaotise lõpus.



RA Rasvafiliter: Metallist rasvafiltrit tuleb puhastada kord kuus, pestes seda käsitsi ja mittesööbiva pesuvahendiga või nõudepesumasinas madalal temperatuuril ja lühikese pesutsükliga. Rasvafiltri välja võtmiseks tõmmake vedru vastastamisse käepidet.

• Rasvafiliter eemaldab õhust toiduvalmistamisel tekkinud rasvaosakesed. Metallist rasvafiltri pesemisel nõudepesumasinas võib selle värvus muutuda, kuid see ei muuda kuidagi filtri töoomadusi.



XB Söefilter (ainult filterversioonil): Kassett tuleb vahetada välja vähemalt iga nelja kuu tagant. Seda EI SAA pesta ega taastada. Nagu joonistel näidatud, eemaldage rasvafiltrid, asetage mõlemale küljele üks söefilter ja kinnitage see toote külge. Pange rasvafiltri tagasi.

• Söefilter eemaldab ebameeldivad toiduvalmistamise lõhnad. • Lõhnafiltrid küllastuvad lühema või pikema aja jooksul, olenevalt toiduvalmistamise tüübist ja rasvafiltri puhastamise korrapärasusest.

Valgustus

• Valgustussüsteem põhineb LED-tehnoloogial. LED-id tagavad optimaalse valgustuse, nende eluiga on kuni kümme korda pikem kui traditsioonilistel lampidel ja need võimaldavad säästa 90% elektrit.

• **Valgustussüsteem:** Kasutaja ei saa valgustussüsteemi ise välja vahetada, rikete korral pöörduge müügijärgse teeninduse poole.

LT

Produktas sukurtas ištraukti ruošiant maistą susidariusiu dūmus bei garus ir yra skirtas tik buitiniam naudojimui.

Griežtai laikykitės šiame vadove pateiktų instrukcijų. Nepriisiimate jokios atsakomybės už sutrikimus, žalą ar gaisrus, padarytus todėl, kad nebuvo laikomasi šiame vadove pateiktų instrukcijų.

Prietaisas gali būti kitokios išvaizdos negu pavaizduota šių instrukcijų nuotraukose. Bet koku atveju, naudojimo, techninės priežiūros ir montavimo instrukcijos išlieka tos pačios.

• Svarbu saugoti visus su gaminiais tiekiamus vadovus, kad galėtumėte bet kuriuo metu juos peržiūrėti. Pardavimo, perdavimo ar perkėlimo atvejais, įsitikinkite, kad jie lieka kartu su gaminiu. • Atidžiai perskaitykite instrukcijas: jose pateikta svarbi informacija apie prietaiso montavimą, naudojimą ir saugumą. • Prieš pradėdami montuoti patikrinkite, ar gaminys yra sveikas. Priešingu atveju, kreipkitės į pardavėją ir nemontuokite.

PASTABOS



Šiuo simboliu pažymėtas dalis galima įsigyti atskirai iš specializuotų pardavimo atstovų.



Šiuo simboliu pažymėtos dalys yra pasirenkami priedai, tiekiami tik kai kuriuose modeliuose ir juos galima įsigyti interneto svetainėse www.elica.com ir www.shop.elica.com.

SAUGA IR REGLAMENTAI



BENDROJI SAUGA

• Neatlikite produkto elektros arba mechaninės įrangos arba išleidimo vamzdžių pakeitimų. • Prieš pradėdami bet kokius valymo arba priežiūros darbus, atjunkite gaminį nuo elektros energijos tinklo, ištraukdami kištuką arba atjungdami bendrą gyvenamosios patalpos maitinimo jungiklį. • Visų montavimo ir priežiūros darbų metu mūvėkite darbinės pirštines. • Produktą gali naudoti ne mažesni nei 8 metų vaikai ir fizinę, jutiminę arba protinę negalią turintys asmenys arba asmenys, neturintys patirties arba reikalingų žinių, jei jie yra prižiūrimi arba jei jiems buvo pateiktos instrukcijos apie saugų prietaiso naudojimą ir su juo susijusius pavojus. • Vaikai turi būti prižiūrimi, kad nežaistų su produktu. • Draudžiama atlikti priežiūrą ir valyti vaikams be priežiūros. • Patalpoje turi būti pakankama ventilacija, kai produktais naudojamas kartu su kitais produktais, degimui naudojancias dujas arba kitą kurą. • Produktu vidų ir išorę reikia dažnai nuvalyti (BENT KARTĄ PER MĖNESĮ). Bet koku atveju, laikykitės priežiūros instrukcijose nurodytos informacijos. • Jei nebus laikomasi produkto valymo ir filtrų pakeitimo / valymo taisyklių, kyla gaisro rizika. • Griežtai draudžiama ruošti maistą, kai po produkto dega atvira liepsna. • DĖMESIO: Kai kaitintė veikia, pasiekiamos produkto dalys gali įkaisti. • Nejunkite produkto prie elektros tinklo, kol nebus visiškai baigta montuoti. • Dūmų šalinimui reikia taikyti technines ir saugos priemones, griežtai vadovaujantis vietinėmis kompetentingų institucijų reglamentuose numatytais nuostatomis. • Ištraukiamo oro negalima tiekti vamzdžiu, skirtu dujiniui ar kito kuro prietaisų generuojamų garų šalinimui. • Nenaudokite ir nepalikite produkto be šiuo metu sumontuotų lempučių, nes kyla nutrenkimo elektra rizika. • Produkto NIEKADA negalima naudoti, kai nėra tinkamai sumontuotos grotelės. • Produkto NIEKADA negalima naudoti kaip atraminės platformos, nebent tai tiesiogiai nurodyta.

• Keisdami lempučių naudokite tik tokio tipo lempučių, kuri nurodyta šio vadovo skyriuje apie priežiūrą / apšvietimo sistemą. • Ugnis kenkia filtrams ir gali sukelti gaisrą, todėl jos jokiū būdu negalima naudoti. • Kepant aliejų būtina nuolatinė priežiūra, kad perkaitęs aliejus neužsidegtų. • Kilus abejonėms, kreipkitės į įgaliotą aptarnavimo centrą arba į panašų kvalifikuotą personalą.



SAUGA MONTUOJANT

• Naudokite su produktu tiekiamus tvirtinimo varžtus tik tada, jei jie tinkami paviršiumi, o kitu atveju, įsigykite tinkamo tipo. Patikrinkite, ar produkto viduje (kad būtų lengviau gabenti)

nėra rinkinio dalių, kurios išimamos ir supakuojamos atskirai (kad būtų lengviau pervežti, pavyzdžiui, maišeliai su varžtais, garantijos ir pan.). • [SPĖJIMAS: Netinkamai sumontavus varžtus ir kitas šiose instrukcijose nurodytas tvirtinimo detales, gali kilti pavojų su elektra. • Išleidimo vamzdis netiekiamas ir jį reikia įsigyti. • Šalinimo vamzdžio skersmuo turi būti lygus jungiamojo žiedo skersmeniui. • Norėdami sumontuoti produktą virš kaitlentės, laikykites brėžiniuose nurodytu aukščio • Minimalus atstumas tarp indų ant maisto ruošimo įrenginio atraminio paviršiaus ir žemiausios virtuvinio gartraukio dalies turi būti ne mažesnis nei 50 cm, jei virtuvė elektrinė ir 65 cm, jei virtuvė dujinė arba mišri. • Jei dujinio maisto ruošimo įrenginio montavimo instrukcijose nurodytas didesnis atstumas, reikia jį atsižvelgti.

SAUGA PRIJUNGIANT PRIE ELEKTROS

• Tinklo įtampa privalo atitikti produkto viduje esančioje charakteristikų etiketėje nurodytą įtampą. • Jei numatytas kištukas, prijunkite produktą prie elektros lizdo, atitinkančio taikomus standartus ir net sumontavus pasiekiamoje zonoje. • Jei neturi kištuko (tiesioginis prijungimas prie tinko) arba jei kištukas nėra pasiekiamoje zonoje, net ir sumontavus reikia naudoti dvipolį standartus atitinkantį jungiklį, kuris užtikrintų visišką tinklo atjungimą III kategorijos viršįtampiu sąlygomis, pagal montavimo taisykles. • Produktas turi specialų maitinimo laidą; jei laidas bus pažeistas, paprašykite jo iš techninio aptarnavimo tarnybos.

● **Dėmesio!** Prieš prijungdami grandinę prie tinklo maitinimo ir, prieš tikrindami, ar veikia tinkamai, visuomet patikrinkite, ar maitinimo laidas yra gerai prijungtas.

Dėmesio! Su programavimo įtaisu, laikmačiu nenaudokite atskiro valdymo pulto arba bet kurio kito automatiškai suaktyvinamo prietaiso.

■ NAUDOJIMO PASIŪLYMAI

Pasiūlymai, kaip teisingai naudoti siekiant sumažinti poveikį aplinkai: pradėję gaminti maistą, įjunkite prietaisą veikti mažiausiu greičiu, palikite jį įjungtą kelias minutes ir baigę ruošti maistą. Greitį padidinkite tik, jei dūmų ir garų kiekis didelis, o „Booster“ funkciją naudokite tik ekstremaliais atvejais. Tam, kad kvapų mažinimo sistema veiktų gerai, prireikus, pakeiskite anglies filtrą (-us). Tam, kad riebalų filtras veiktų gerai, prireikus, jį nuvalykite. Siekdami pagerinti veikimą ir sumažinti triukšmą, naudokite šiame vadove nurodytą didžiausio skersmens ortakių sistemą.

■ ŠALINIMAS BAIGUS EKSPLOATUOTI



Šis prietaisas yra pažymėtas pagal Europos direktyvą 2012/19/EB - UK SI 2013 Nr.3113, Elektros ir elektroninės įrangos atliekos (EE[A]). Įsitinkdami, kad šis produktas šalinamas tinkamai.

■ Naudotojas padeda išvengti galimų neigiamų pasekmių aplinkai ir sveikatai.

Šis simbolis ant gaminio ar pridedamos dokumentacijos

nurodo, kad šis gaminys negali būti išmetamas kartu su buitinėmis atliekomis ir turi būti pristatytas į atitinkamą perdirbimo punktą, skirtą elektros ir elektroninės įrangos perdirbimui. Išmeskite pagal vietoje galiojančias atliekų šalinimo taisykles. Daugiau informacijos apie šio gaminio naudojimą, išsaugojimą ir perdirbimą gausite susisiekę su atitinkamomis vietinėmis institucijomis, buitinių atliekų surinkimo paslaugų įmonėmis ar parduotuve, iš kurios pirkote gaminį.

■ REGLAMENTAI

Įranga suprojektuota, išbandyta ir įrengta laikantis saugos standartų: EN/IEC 60335-1; EN/IEC 60335-2-31, EN/IEC 62233. Eksploatacinės savybės: EN/IEC 61591; ISO 5167-1; ISO 5167-3; ISO 5168; EN/IEC 60704-1; EN/IEC 60704-2-13; EN/IEC 60704-3; ISO 3741; EN 50564; IEC 62301. EMS: EN 55014-1; CISPR 14-1; EN 55014-2; CISPR 14-2; EN/IEC 61000-3-2; EN/IEC 61000-3-3.

■ NAUDOJIMAS

Oro ištraukimo sistema gali būti naudojama garų išsiurbimui į išorę arba naudojant filtrus vidinei recirkuliacijai.

● Versija su oro ištraukimo įranga:

Garai į išorę šalinami prie jungties jungės pritvirtintu išleidimo vamzdžiu.

DĖMESIO! Jei gaminys turi anglies filtrą (-us), jis (jie) turi būti išimtas (-i).

Prijunkite gaminį prie sienoje įrengtų šalinimo vamzdžių ir angų, kurių skersmuo lygus oro išvado (flanšinės jungties) skersmeniui.

Naudojant mažesnio skersmens sienoje įrengtus šalinimo vamzdžius ir angas, sumažės oro ištraukimo eksploatacinės savybės ir žymiai padidės triukšmas.

Todėl už tai neprisiimama jokia atsakomybė.

• Būtina naudoti kiek įmanoma trumpesnį vamzdį.

• Naudokite vamzdį su kiek įmanoma mažiau išlinkimų (didžiausias išlinkimo kampas: 90°).

• Venkite didelių vamzdžio pjūvio pokyčių.

● Versija su filtru:

Prieš tiekiant į kambarį, iš ištraukiamo oro pirmiausia pašalinami riebalai ir kvapai. Norint naudoti šio modelio gaminį, reikia sumontuoti papildomą filtravimo sistemą su aktyviaja anglimi.

■ MONTAVIMAS PRIEŠ ĮRENGIANT

• Patikrinkite, ar įsigytas gaminys atitinka pasirinktos montavimo vietos matmenis.

• Jei tiekiamas (-i), išimkite aktyviosios anglies filtrą (-us) (taip pat žiūrėkite susijusį skirsnį).

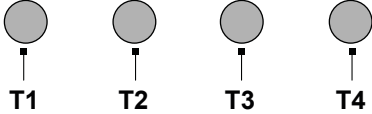
• Jis (jie) turi būti vėl sumontuotas (-i), jei norima naudoti gaminio modelį su filtru.

• Tuomet, jei yra skydelių, sienų ir (arba) šoninių

pakabinamų spintelių patikrinkite, ar yra pakankamai vietos gaminiui įrengti ir visada galima lengvai pasiekti valdymo skydelį.

• Gaminys turi didžiąją dalį sienų / lubų pritaikytus tvirtinimo sprausdukus. Bet kokiu atveju, reikia kreiptis į kvalifikuotą techniką, kad patikrintų medžiagų tinkamumą sienos / lubų tipui. Sieną / lubas turi būti pakankamai tvirtos, kad atlaikytų gartraukio svorį.

■ VEIKIMAS



T1. Šviesos jungiklis ON/OFF.

T2. 1 greičio išjungiklis OFF

T3. 2 greičio perjungiklis

T4. 3 greičio perjungiklis

■ PRIEŽIŪROS PERSPĖJIMAI

• **Valymas:** Valymui naudokite išskirtinai tik neutraliuose skystuose plovikliuose pamirkytą šluostę. Nenaudokite įrankių arba prietaisų valymui.

• Nenaudokite produktų, kurių sudėtyje yra braižančių medžiagų. **NENAUDOKITE ALKOHOLIO!**



Norėdami atlikti gaminio priežiūros darbus, baigę montuoti, peržiūrėkite šiuo simboliu pažymėtas nuotraukas.

• **✂A Riebalų filtras:** Metalinis riebalų filtras turi būti valomas kartą per mėnesį neagresyviais plovikliais, rankomis arba žemos temperatūros ir trumpo ciklo indaplovėse. Norėdami išmontuoti riebalų filtrą, patraukite atkabinimo rankeną su spyruokle.

• Riebalų filtras sulauko maisto ruošimo metu susidariusias kietąsias daleles. Plauçant indaplovėje riebalų filtras gali išblukti, bet jo filtravimo savybės visiškai nepasikeičia.

• **✂B Anglies filtras (tik versijoje su filtru):** Kasetę reikia pakeisti bent kartą kas keturis mėnesius. **NEGALIMA** plauti arba regeneruoti. Kaip nurodyta brėžinių skyriuje: išimkite riebalų filtrus, šone uždėkite anglies filtrą ir prijunkite jį prie produkto. Vėl įdėkite riebalų filtrus.

• Anglies filtras sulauko maisto ruošimo metu atsiradusius nemalonius kvapus. • Anglies filtrai prisotinami po daugiau ar mažiau ilgesnio naudojimo, priklausomai nuo virtuvės tipo ir nuo to, kaip reguliariai valomi riebalų filtrai.

Apšvietimas

• Apšvietimo sistemai naudojama LED technologija. LED garantuoja optimalų apšvietimą, kuris trunka 10 kartų daugiau nei įprastos lempuotės ir leidžia sutaupyti 90 proc. elektros energijos.

• **Apšvietimo sistema** : Apšvietimo sistemos naudotojas negali pakeisti. Jai sugedus kreipkitės į pagalbos tarnybą.

LV

Izstrādājums ir paredzēts virtuves izgarojumu un tvaiku nosūkšanai un lietojams tikai mājāsaiņniecībā.

Cieši sekojiet norādījumiem šajā rokasgrāmatā. Mēs atsakāmies no jebkādas atbildības par jebkādam neērtībām, bojājumiem vai ugunsgrēkiem, kas radušies izstrādājumam, ja netiek ievēroti šīs rokasgrāmatas norādījumi.

Ierīces estētika var atšķirties no tās, kas parādīta šīs brošūras zīmējumos, tomēr lietošanas, apkopes un uzstādīšanas instrukcijas paliek tās pašas.

• Ir svarīgi saglabāt visas izstrādājumam pievienotās rokasgrāmatas, lai tās jebkurā laikā varētu izmantot uzziņai. Ja izstrādājums tiek pārdots, nodots vai pārvietots, pārliecinieties, vai rokasgrāmata joprojām ir kopā ar izstrādājumu. • Uzmanīgi izlasiet šo instrukciju: tā satur svarīgu informāciju par uzstādīšanu, izmantošanu un drošību. • Pirms uzstādīšanas turpināšanas pārbaudiet izstrādājuma integritāti. Pretējā gadījumā sazinieties ar izplatītāju un uzstādīšanu neturpiniet.

■ PIEZĪME



daļas, kas apzīmētas ar šo simbolu, var iegādāties atsevišķi pie specializētiem izplatītājiem.



: ar šo simbolu apzīmētās daļas ir papildu piederumi, kas tiek piegādāti tikai dažiem modeļiem, un tos var iegādāties vietnēs: www.elica.com un www.shop.elica.com.

■ DROŠĪBA UN NORMATĪVA

▲ VISPĀRĒJĀ DROŠĪBA

• Neveiciet izstrādājuma vai notekcauruļu elektriskas vai mehāniskas izmaiņas. Pirms jebkurām tīrīšanas vai tehniskās apkopes darbībām, atslēdziet izstrādājumu no tīkla, izņemot kontaktdakšu vai izslēdzot dzīvesvietas galveno slēdzi. • Visām uzstādīšanas un apkopes darbībām izmantojiet darba cimdus. • Izstrādājumu var lietot bērni, kas ir vecāki par 8 gadiem, un cilvēki ar samazinātām fiziskām, maņu vai garīgām spējām, vai bez pieredzes un nepieciešamajām zināšanām, ja vien tas tiek darīts citu uzraudzībā vai pēc tam, kad tie ir saņēmuši norādījumus par drošu ierīces lietošanu un sapratuši ar ierīci saistītos riskus. • Bērni ir jāuzrauga, lai pārliecinātos, ka viņi nespēlējās ar izstrādājumu. • Tīrīšanu un tehnisko apkopi nevar veikt bērni bez uzraudzības. • Telpā jābūt pietiekamai ventilācijai, ja izstrādājumu lieto vienlaikus ar citām ierīcēm, kas sadedzina gāzi vai citu degvielu. - Izstrādājums ir bieži jāfīra gan no iekšpuses, gan no ārpuses (VISMĀZ VIENU REIZI MĒNESĪ), katrā ziņā ievērojot apkopes instrukcijās skaidri norādīto. • Izstrādājuma tīrīšanas noteikumu un filtru

nomaiņas/tīrīšanas neievērošana rada ugunsgrēka risku. • Stingri aizliegts gatavot ēdienu uz liesmas zem izstrādājuma. • **UZMANĪBU:** Kad plīts darbojas, izstrādājuma pieejamās daļas var sakarst. • Nepievienojiet izstrādājumu elektrotīklam, kamēr instalēšana nav pabeigta. • Attiecībā uz tehniskajiem un drošības pasākumiem, kas jāveic dūmu novadīšanai, stingri ievērojiet kompetento vietējo iestāžu noteikumus. • Iesūcamo gaisu nedrīkst novadīt kanālā, kuru izmanto dūmu, ko rada gāze vai citas degvielas sadedzināšanas ierīces, novadīšanai. • Iespējama elektriskās strāvas trieciena dēļ nelietojiet izstrādājumu un neatstājiet to bez pareizi uzstādītām lampām. • Izstrādājumu NEKAD nedrīkst lietot bez pareizi uzstādīta režģa. • Izstrādājumu NEKAD nedrīkst izmantot kā atbalsta virsmu, ja vien tas nav skaidri norādīts.

• Nomainot lampu, izmantojiet tikai to lampu tipu, kas norādīts šīs rokasgrāmatas apkopes/apgaismošanas sistēmas sadaļā. • Atklātas liesmas izmantošana ir kaitīga filtriem un var izraisīt aizdegšanos, tāpēc no tās jebkurā gadījumā jāizvairās. • Cepšana jāveic kontrolētā veidā, lai nepieļautu pārkaršētas eļļas aizdegšanos. • Ja rodas šaubas, sazinieties ar pilnvarotu servisa centru vai līdzīgu kvalificētu personālu.

DROŠĪBA UZSTĀDĪŠANAS LAIKĀ

• Izmantojiet izstrādājuma komplektācijā esošās stiprinājuma skrūves tikai tad, ja tās ir piemērotas virsmai, pretējā gadījumā iegādājieties pareizo veidu. Pārbaudiet, vai iepakojumā nav (transporta iemeslu dēļ) komplektācijas materiālu (piemēram, aploksnes ar skrūvēm, garantijas, u.c.), kas jāizņem un jāuzglabā. • **BRĪDINĀJUMS:** Ja skrūves un stiprinājumi netiek uzstādīti saskaņā ar šiem norādījumiem, var tikt izraisīti elektriskās strāvas iedarbības apdraudējumi. • Izvades caurule netiek nodrošināta, tā ir jānūpērķ. • Izplūdes caurules diametram ir jābūt vienādam ar savienojuma gredzena diametru. • Lai uzstādītu izstrādājumu uz plīts, ievērojiet zīmējumu norādīto augstumu. • Minimālajam attālumam starp tvertņu atbalsta virsmu uz plīts un tvaika nosūcēja apakšējo daļu jābūt ne mazākam par 50 cm elektrisko plīts un 65 cm gāzes vai jauktu plīšu gadījumā. • Ja gāzes plīts uzstādīšanas instrukcijās norādīts lielāks attālums, tas ir jāņem vērā.

ELEKTRĪBAS PIESLĒGUMA DROŠĪBA

• Tikla spriegumam jāatbilst spriegumam, kas norādīts izstrādājuma iekšpusē. • Ja izstrādājums ir aprīkots ar kontaktdakšu, pievienojiet to pašreizējiem noteikumiem atbilstoši kontakltīzdzāi, kas atrodas vietā, kas pieejama pat pēc uzstādīšanas. • Ja kontaktdakšas nav (tiešs savienojums ar elektrotīklu) vai kontaktdakša neatrodas pieejamā vietā, pat pēc uzstādīšanas, izmantojiet standarta bipolāru slēdzi, kas nodrošina pilnīgu atvienošanu no elektrotīkla III pārsprieguma kategorijas apstākļos, ievērojot

uzstādīšanas noteikumus. • Izstrādājums ir aprīkots ar 7-pašu barošanas kabeli; ja kabelis ir bojāts, pieprasiet to tehniskās palīdzības dienestā.

• **Uzmanību!** Pirms ķēdes atkārtotas pievienošanas strāvas padevei un tās pareizas darbības pārbaudes vienmēr pārbaudiet, vai strāvas kabelis ir pareizi samontēts.

Uzmanību! Neizmantojiet ar programmētāju, taimeru, atsevišķu tālvadības pultu vai jebkuru citu ierīci, kas aktivizējas automātiski.


LIETOŠANAS PADOMI

Padomi pareizai lietošanai, lai samazinātu ietekmi uz apkārtējo vidi: Sākot gatavot, ieslēdziet ierīci ar minimālo ātrumu, atstājot to ieslēgtu dažas minūtes pat pēc gatavošanas beigām. Palieliniet ātrumu tikai lielā dūmu un tvaiku daudzumā, lietojot palielināšanas funkciju tikai ārkārtas gadījumos. Lai uzturētu smaku samazināšanas sistēmu efektīvu, nomainiet, kad nepieciešams, ogles filtru/-us. Lai uzturētu tauku filtru efektīvu, nepieciešamības gadījumā iztīriet to. Lai optimizētu efektivitāti un samazinātu troksni, lietojiet maksimālo šajā rokasgrāmatā norādīto cauruļvadu sistēmas diametru.

UTILIZĀCIJA KALPOŠANAS LAIKA BEIGĀS



Šī ierīce ir marķēta saskaņā ar Eiropas direktīvu 2012/19/EK - UK SI 2013 Nr.3113, Elektrisko un elektronisko iekārtu atkritumi (EELA). Pārliecinieties, vai šis izstrādājums tiek pareizi likvidēts.

 Lietotājs palīdz novērst iespējamās negatīvās sekas videi un veselībai.

Simbols uz izstrādājuma vai pievienotajā dokumentācijā norāda, ka šis izstrādājumu nedrīkst uzskatīt par sadzīves atkritumiem, bet tas jānogādā attiecīgajā savākšanas vietā elektrisko un elektronisko iekārtu pārstrādei. Atbrīvojoties no izstrādājuma saskaņā ar vietējiem noteikumiem par atkritumu apglabāšanu. Lai iegūtu plašāku informāciju par šī izstrādājuma apstrādi, reģenerāciju un pārstrādi, lūdzu, sazinieties ar vietējo iestādi, sadzīves atkritumu savākšanas pakalpojumu dienestu vai veikal, kur izstrādājums tika iegādāts.

NOTEIKUMI

Iekārtas, kas projektētas, pārbaudītas un ražotas saskaņā ar drošības noteikumiem: EN/IEC 60335-1; EN/IEC 60335-2- 31, EN/IEC 62233. Eksploataācijas īpašības: EN/IEC 61591; ISO 5167-1; ISO 5167-3; ISO 5168; EN/IEC 60704-1; EN/IEC 60704-2-13;EN/IEC 60704-3; ISO 3741; EN 50564; IEC 62301. EMC: EN 55014-1; CISPR 14-1; EN 55014-2; CISPR 14-2; EN/IEC 61000-3-2; EN/IEC 61000-3-3.

IZMANTOŠANA

Nosūcēja sistēma var tikt lietota iesūkšanas versijā ar izvadi uz āru vai filtrējošā versijā ar iekšējo recirkulāciju.

• Iesūkšanas versija

Tvaiki tiek izvadīti uz āru caur izplūdes cauruli, kas piestiprināta pie savienojošā atloka.

UZMANĪBU! Ja izstrādājums ir aprīkots ar oglekļa filtru(-iem), tas(-ie) ir jānoņem.

Pieslēdziet izstrādājuma caurules un izplūdes atveres pie sienas atveres ar diametru, kas ir vienāds ar gaisa izplūdes diametru (savienojuma atloks).

Mazāka diametra cauruļu un izplūdes atveru lietošana izraisīs iesūkšanas veikspējas samazināšanos un krasu trokšņa līmeņa palielināšanos.

Tādēļ mēs par to neuzņemamies atbildību.

- Lietojiet pēc iespējas īsāku cauruļvadu.
- Lietojiet cauruļvadu ar pēc iespējas mazāku izliekumu skaitu (maksimālais izliekuma leņķis: 90°).
- Izvairieties no krasām cauruļvada diametra izmaiņām.

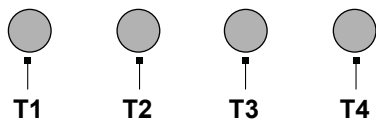
• Filtrējošā versija:

Iesūktais gaiss tiks attaukots un dezodorēts, pirms tas atgriežas telpā. Lai izmantotu izstrādājumu šajā versijā, ir nepieciešams uzstādīt papildu filtrēšanas sistēmu, kuras pamatā ir aktīvā ogle.

■ MONTĀŽA PIRMS UZSTĀDĪŠANAS

- Pārbaudiet, vai iegādātā izstrādājuma izmēri atbilst uzstādīšanas vietai.
- Noņemiet aktīvās ogles filtru (-s), ja tas (ie) ir iekļauts (-i) komplektācijā (skatiet arī attiecīgo sadaļu).
- Tas/tie ir jāsamontē tikai tad, ja vēlaties izmantot izstrādājumu filtrēšanas versijā.
- Ja ir sānu paneli un/vai sienas un/vai sienas bloki, pārbaudiet, vai ir pietiekami daudz vietas izstrādājuma uzstādīšanai un vai vienmēr ir iespējams viegli piekļūt vadības panelim.
- Izstrādājums ir aprīkots ar stiprinājuma spraudņiem, kas piemēroti lielākajai daļai sienu/griestu. Tomēr ir jāsažinās ar kvalificētu tehniķi, lai pārliecinātos par materiālu piemērotību sienu/griestu veidam. Sienai/griestiem jābūt pietiekami izturīgiem, lai izturētu tvaika nosūcēja svaru.

■ DARBĪBA



T1. Gaismas slēdzis ON/OFF.

T2. Slēdzis OFF/ātrums 1

T3. Ātruma 2 izvēle

T4. Ātruma 3 izvēle

■ APKOPES PAZIŅOJUMS

- **Tīrīšana:** Tīrīšanas veikšanai lietojiet tikai ar neitrālu šķīdro mazgāšanas līdzekli samitrinātu drānu. Tīrīšanai neizmantojiet instrumentus vai rīkus.
- Izvairieties no abrazīvu vielu saturošu produktu lietošanas. **NELIETOJIET SPIRTU!**



Lai iegūtu informāciju par izstrādājuma apkopi, skatiet attēlus uzstādīšanas beigās, kas apzīmēti ar šo simbolu.

- **XA Prettauku filtrs:** Metāla prettauku filtrs jāfira reizi mēnesī ar maigiem mazgāšanas līdzekļiem, manuāli vai trauku mazgājamā mašīnā zemā temperatūrā un ar 15u ciklu. Lai noņemtu prettauku filtru, pavelciet atsperes atbrīvošanas rokturi.

- Prettauku filtrs aiztur ēdiena gatavošanas laikā radušās tauku daļiņas. Mazgājot trauku mazgājamā mašīnā tauku filtrs var zaudēt krāsu, bet tā filtrēšanas raksturlielumi paliek nemainīgi.

- **XB Oglekļa filtrs (tikai filtrējošai versijai):** Kasetne ir jāmaina vismaz reizi četros mēnešos. To NEVAR mazgāt vai atjaunot. Kā norādīts zīmējumu sadaļā: noņemiet tauku filtrus, katrā pusē uzlieciet vienu oglekļa filtru un piestipriniet to pie izstrādājuma. Ievietojiet no jauna prettauku filtrus.

- Oglekļa filtrs saglabā nepatīkamas ēdiena gatavošanas smakas. • Oglekļa filtra piesātinājums notiek pēc vairāk vai mazāk ilgstošas lietošanas atkarībā no gatavošanas veida un tauku filtra tīrīšanas regularitātes.

Apgaismojums

- Apgaismojuma sistēmas pamatā ir LED tehnoloģija. LED lampas garantē optimālu apgaismojumu ar darbības laiku līdz pat 10 reizēm ilgāku nekā tradicionālajām lampām un ļauj ietaupīt 90% elektroenerģijas.

- **Apgaismošanas sistēma:** Apgaismošanas sistēmu lietotājs nevar nomainīt, darbības traucējumu gadījumā sazinieties ar pēcpalīdzības servisu.

SR

Proizvod je namenjen za usisavanje dima i isparenja pri kuvanju i namenjen je samo za kućnu upotrebu.


Strogo se pridržavajte ovde navedenih uputstava. Odbijamo svaku odgovornost za bilo kakve neprijatnosti, štetu ili požar prouzrokovane na proizvodu kao rezultat nepoštovanja uputstava u ovom priručniku.

Proizvod može estetski izgledati drugačije nego što je prikazano na crtežima u ovom uputstvu. Međutim, uputstva za upotrebu, održavanje i ugradnju ostaju ista.

- Važno je da imate svo uputstva koja prate proizvod kako biste mogli da ih konsultujete u bilo kom trenutku. U slučaju prodaje, ustupanja drugima ili premeštanja proizvoda, pobrinite se da uputstva ostanu sa proizvodom. • Pažljivo

pročitajte uputstva: ona sadrže važne podatke o montaži, korišćenju i bezbednosti. • Pre ugradnje uređaja proverite njegovu celovitost. U suprotnom, kontaktirajte svog dobavljača i nemojte da nastavite s montažom.

■ NAPOMENA

: delovi označeni ovim simbolom mogu se kupiti odvojeno kod specijalizovanih prodavaca.

*: delovi označeni ovim simbolom su dodatna oprema koja se isporučuje samo u nekim modelima i može se kupiti na sajtovima www.elica.com i www.shop.elica.com.

■ BEZBEDNOST I NORME

⚠ OPŠTA BEZBEDNOST

•Ne vršite električne ili mehaničke promene na proizvodu ili na odvodnim cevima. •Pre bilo koje operacije čišćenja ili održavanja, isključite uređaj iz električne mreže vađenjem utikača ili isključivanjem na glavnom prekidaču stana. •Za sve operacije instalacije i održavanja koristite rukavice. •Uređaj mogu koristiti deca starija od 8 godina i osobe sa smanjenim fizičkim, psihičkim i mentalnim sposobnostima ili sa nedostatkom iskustva i znanja, ako su pod ispravnim nadzorom ili su obučeni o bezbednom načinu upotrebe uređaja i razumeju opasnosti do kojih može doći. •Deca treba da budu pod nadzorom kako bi se osiguralo da se ne igraju s uređajem. •Deca ne smeju da vrše čišćenje i održavanje bez nadgledanja. •Prostorija mora da bude dovoljno provetrena kada se proizvod koristi u kombinaciji sa drugim uređajima za izgaranje gasa ili drugih goriva. •Aparat se mora često čistiti kako iznutra tako i izvana (NAJMANJE JEDNOM MESEČNO), te strogo pratite ono što je naznačeno u uputstvima za održavanje. •Nepridržavanje pravila za čišćenje proizvoda i zamene i čišćenja filtera dovodi do rizika od požara. •Strogo je zabranjeno pripremanje flambiranih jela ispod proizvoda. •PAŽNJA: Kada se koristi ploča za kuvanje, dostupni delovi proizvoda se mogu pregrejati. •Ne priključujte proizvod na napajanje sve dok instalacija nije u potpunosti završena. •Što se tiče tehničkih i bezbednosnih mera koje treba poduzeti za ispuštanje isparenja, potrebno da se strogo pridržavate odredbi nadležnih lokalnih vlasti. •Usisani vazduh se ne sme poslati u odvod koji se koristi za ispuštanje dima nastalog od uređaja za izgaranje gasa ili drugih goriva. •Ne koristite i ne ostavljajte proizvod bez ispravno montiranih sijalica jer postoji opasnost od strujnog udara. •Proizvod se NIKADA ne sme koristiti bez ispravno montirane rešetke. •Proizvod se NIKADA ne sme koristiti kao noseća površina, osim ako je izričito naznačeno.

• Kada menjate sijalicu, koristite samo tip sijalice koji je naveden u odeljku za održavanje/sistem osvetljenja ovog uputstva. •Upotreba plamena je štetna po filtere i može dovesti do požara te je zbog toga svakako zabranjena. •Prženje se mora vršiti s posebnom pažnjom kako bi se izbeglo paljenje pregrejanog ulja. •Ako ste u nedoumici,

konsultujte ovlašćeni servisni centar ili slično kvalifikovano osoblje.

⚠ SIGURNOSNE PREPORUKE ZA INSTALACIJU

•Koristite pričvrstne zavrtnje isporučene sa proizvodom samo ako odgovaraju površini, u suprotnom kupite odgovarajući tip vijaka. Proverite da unutar proizvoda (zbog prevoza) nema pratećeg materijala (na primer, kesice sa vijkima, garancije i sl.), koji se mora ukloniti i čuvati. •UPOZORENJE: Instalacija vijaka i zatvarača koja nije sukladna ovim uputama može da dovede do rizika vezanih uz električnu energiju. •Odvodna cev nije isporučena i mora se kupiti. •Prečnik izduvne cevi mora biti jednak prečniku prstena za povezivanje. •Minimalno rastojanje između potporne površine kontejnera na uređaju za kuvanje i najnižeg dela nape ne sme biti manje od 50 cm u slučaju električnih šporeta i od 65 cm u slučaju plinskih ili mešanih šporeta. •Ako uputstva za ugradnju plinske ploče za kuvanje određuju veću udaljenost, mora se uzeti u obzir ta vrednost.

⚠ SIGURNOSNE PREPORUKE ZA ELEKTRIČNO POVEZIVANJE

•Mrežni napon mora odgovarati naponu prikazanom na nalepnici sa karakteristikama koja se nalazi unutar proizvoda. •Ako je opremljen utikačem priključite proizvod u utičnicu koja je u skladu sa važećim propisima i nalazi se na mestu dostupnom čak i nakon instalacije. •Ako nema utikača (direktni priključak na električnu mrežu) ili utikač nije postavljen na pristupačnom mestu, čak i nakon ugradnje, primenite standardni bipolarni prekidač koji obezbeđuje potpuno isključenje sa mreže u uslovima prenaponske kategorije III, u skladu sa pravila ugradnje. •Proizvod je opremljen posebnim kablom za napajanje; ako je kabl oštećen, zatražite zamenu od službe za tehničku pomoć.

• **Pažnja!** Pre ponovnog povezivanja na mrežu i provere ispravnog rada, uvek proverite da li je mrežni kabel ispravno montiran.

Pažnja! Ne koristite sa programatorom, tajmerom, odvojenim daljinskim upravljačem ili bilo kojim drugim uređajem koji se automatski aktivira.

■ PREPORUKE ZA UPOTREBU

Saveti za pravilnu upotrebu kako bi se smanjio uticaj na okolinu: Kada počnete kuvanje, uključite proizvod na minimalnu brzinu, ostavljajući je uključenom neko vreme i nakon završetka kuvanja. Povećajte brzinu samo u slučaju velikih količina dima i pare, koristeći funkciju booster samo u ekstremnim slučajevima. Za održavanje efikasnijim sistema za smanjivanje mirisa, zamenite, kad je to potrebno, ugljeni/e filter/-re. Za održavanje efikasnijim filtera za mast, po potrebi ga očistite. Da bi optimizovali efikasnost i smanjili buku, koristite maksimalni presek sistema kanala, opisan u ovom priručniku.

■ ODLAGANJE NA KRAJU ŽIVOTNOG VEKA



Ovaj uređaj označen je u skladu s Evropskom direktivom 2012/19/EZ - UK SI 2013 No.3113, o otpadu električne i elektronske opreme (OEEO). Ispravnim zbrinjavanjem ovog proizvoda. korisnik će pomoći u sprečavanju mogućih negativnih posledica za okolinu i zdravlje.

Simbol na proizvodu ili na dokumentima koji prate proizvod pokazuje da se ovaj aparat ne može tretirati kao otpad u domaćinstvu, već treba da se dostavi odgovarajućem centru za sakupljanje i recikliranje električne i elektronske opreme. Odlaganje mora da se obavi u skladu s lokalnim propisima za odlaganje otpada. Za više informacija o tretiranju, preuzimanju i recikliranju ovog proizvoda obratite se odgovarajućoj lokalnoj kancelariji, službi za sakupljanje kućnog otpada ili prodavnicu u kojoj je kupljen proizvod.

■ STANDARDI

Uređaj je dizajniran, testiran i proizveden u skladu sa pravilima: EN/IEC 60335-1; EN/IEC 60335-2-31, EN/IEC 62233; Efikasnost: EN/IEC 61591; ISO 5167-1; ISO 5167-3; ISO 5168; EN/IEC 60704-1; EN/IEC 60704-2-13; EN/IEC 60704-3; ISO 3741; EN 50564; IEC 62301. EMC: EN 55014-1; CISPR 14-1; EN 55014-2; CISPR 14-2; EN/IEC 61000-3-2; EN/IEC 61000-3-3.

■ UPOTREBA

Sustav za usisavanje se može koristiti u načinu rada za izvlačenje i evakuaciju vazduha ili za filtriranje za unutrašnju recirkulaciju.

● Usisna verzija:

Pare se odvode napolje kroz izduvnu cev pričvršćenu za priključnu pribudnicu.

PAŽNJA! Ako je proizvod opremljen ugljenim filterom/ima, ovaj/i se moraju ukloniti.

Priključite proizvod na cevi i odvodne rupe na zidu s prečnikom koji odgovara prečniku izlaznog vazduha (pribudnici).

Upotreba cevi i rupa na zidu s manjim prečnikom će rezultirati smanjivanjem usisne efikasnosti i drastičnim povećavanjem nivoa buke.

Zbog toga, ne prihvata se nikakva odgovornost.

- Koristite minimalno dug kanal.
- Koristite kanal sa što manje zavoja (maksimalni ugao zavoja: 90°).
- Izbegavajte drastične promene prečnika cevi.

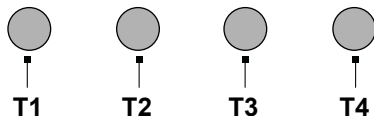
● Filtrirajuća verzija:

Usisani vazduh će biti odmašćen i dezodorisan pre nego što se vrati u prostoriju. Za korišćenje proizvoda u ovoj verziji potrebno je ugraditi dodatni sistem za filtriranje na bazi aktivnog uglja.

■ MONTAŽA PRE INSTALACIJE

- Proverite da li kupljeni proizvod ima odgovarajuće dimenzije za odabranu zonu ugradnje.
- Uklonite filter/e sa aktivnim ugljem ako je isporučen (takođe pogledajte odgovarajući paragraf).
- Filter/i se mora/ju ponovo sastaviti samo ako želite da koristite proizvod u verziji za filtriranje.
- Ako postoje bočne ploče i/ili zidovi i/ili zidne jedinice, proverite da li ima dovoljno prostora za instalaciju proizvoda i da li je uvek moguće lako pristupiti kontrolnoj tabli.
- Proizvod je snabdeven čepovima za pričvršćivanje pogodnim za većinu zidova/plafona. Međutim, potrebno je kontaktirati kvalifikovanog tehničara kako bi se utvrdilo da li materijali odgovaraju vrsti zida/plafona. Zid/plafon mora biti dovoljno jak da izdrži težinu aspiratora.

■ RAD



T1. Prekidač za svetlo ON/OFF.

T2. Prekidač OFF/ brzina 1

T3. Odabir brzine 2

T4. Odabir brzine 3

■ UPOZORENJA O ODRŽAVANJU

- **Čišćenje:** Za čišćenje koristite ISKLJUČIVO vlažnu krpu i tečne neutralne deterdžente. Za čišćenje nemojte koristiti alate ili instrumente.
- Izbegavajte uporabu abrazivnih proizvoda. NEMOJTE KORISTITI ALKOHOL!



Za održavanje proizvoda pogledajte slike na kraju instalacije označene ovim simbolom.

● **A Filter za mast:** Metalni filter protiv masti mora se čistiti jednom mesečno blagim deterdžentima, ručno ili u mašini za pranje sudova na niskim temperaturama i sa kratkim ciklusom. Da biste uklonili filter za mast, povucite ručicu za oslobađanje opruge.

• Filter za mast zadržava čestice masti nastale kuvanjem. Prilikom pranja u mašini za suđe, metalni filter može izbledeći, ali njegova filterska svojstva se ne menjaju.

● **B Ugljeni filter (samo za filtrirajuću verziju):** Uložak je potrebno zameniti najmanje svaka četiri meseca. NE MOŽE se prati ili obnavljati. Kao što je navedeno u odeljku sa crtežima: skinite filtere za mast, postavite po jedan filter sa aktivnim ugljenom na svaku stranu i zakačite ga za proizvod. Vratite filtere za mast.

- Ugljeni filter upija neugodne mirise uzrokovane kuvanjem.
- Zasičenje ugljenog filtra nastaje posle više ili manje duže upotrebe, ovisno o vrsti kuhinje i pravilnosti čišćenja filtra za mast.

Osvetljenje

- Sistem osvetljenja je zasnovan na LED tehnologiji. LED diode garantuju optimalno osvetljenje, sa trajanjem do 10 puta duže od tradicionalnih lampi i omogućavaju vam da uštedite 90% električne energije.
- **Sistem osvetljenja:** Korisnik ne može da zameni sistem osvetljenja, u slučaju kvara kontaktirajte servisnu službu.

SL

Izdelek je namenjen odvajanju dima in hlapov, ki nastajajo pri kuhanju, in je namenjen samo za domačo uporabo.

Strogo upoštevajte navodila v tem priročniku. Zavračamo vsakršno odgovornost za morebitne nevarnosti, škodo ali požar, ki bi nastali na izdelku zaradi neupoštevanja navodil v tem priročniku.

Aparat se po videzu lahko razlikuje od prikazanega na risbah v tej knjižici, vendar pa so navodila za njegovo uporabo, vzdrževanje in montažo enako veljavna.

- Pomembno je, da vse priročnike, ki so priloženi izdelku, vedno hranite kot referenco. V primeru prodaje, prenosa drugemu lastniku ali selitve, se prepričajte, da bo ta priročnik spremljal izdelek. • Pozorno preberite navodila, saj vsebujejo pomembne informacije o montaži, uporabi in varnosti. • Pred nameščanjem preverite celovitost izdelka. V nasprotnem primeru, pokličite pooblaščenega prodajalca in ne nameščajte.

■ OPOMBE



: s tem simbolom označene dele lahko ločeno kupite pri specializiranih prodajalcih.



* : s tem simbolom označeni deli so dodatna oprema, ki je na voljo samo pri nekaterih modelih in jo je mogoče kupiti na spletnih straneh www.elica.com in www.shop.elica.com.

■ VARNOST IN PREDPISI

⚠ SPLOŠNA O VARNOSTI

• Na izdelku ali na izpušnih ceveh za odvajanje ne izvajate električnih ali mehanskih sprememb. • Pred vsakim čiščenjem in vzdrževanjem izdelek izklopite iz električnega omrežja tako, da izvlecete vtič ali izklopite glavno električno stikalo stanovanja. • Pri vseh postopkih montaže in vzdrževanja nosite delovne rokavice. • Izdelek lahko uporabljajo otroci, starejši od 8 let, in osebe z zmanjšanimi fizičnimi, senzoričnimi ali duševnimi sposobnostmi ali s pomanjkanjem izkušenj ali potrebnega znanja, pod pogojem, da jih nekdo nadzoruje, ali po tem, ko prejmejo navodila bodisi glede varne uporabe aparata bodisi

razumevanja nevarnosti, ki jim pretijo. • Otroke je potrebno nadzirati in zagotoviti, da se z izdelkom ne igrajo. • Otroci ne smejo čistiti in vzdrževati aparata, če niso pod nadzorom. • Prostor mora biti dovolj prezračevan, ko se izdelek uporablja sočasno z drugimi aparati z zgorevanjem plina ali drugih goriv. • Izdelek je treba pogosto čistiti, tako notranjost kot tudi zunanost (VSJAG ENKRAT MESEČNO), v vsakem primeru pa upoštevajte, kar je izrecno navedeno v navodilih za vzdrževanje. • Neupoštevanje pravil za čiščenje izdelka ter zamenjavo/čiščenje filtrov pomeni tveganje požara. • Strogo je prepovedana priprava jedi s plamenom pod izdelkom. • POZOR: Med delovanjem kuhališča se dostopni deli izdelka lahko segrejejo. • Izdelka ne priključujte v električno omrežje, dokler namestitvev ni popolnoma dokončana. • Kar zadeva tehnične in varnostne ukrepe, ki jih je treba sprejeti za odvajanje hlapov, dosledno upoštevajte določbe predpisov pristojne lokalne uprave. • Izsesanega zraka se ne sme odvajati v vod, ki se uporablja za odvajanje dimnih plinov naprav z zgorevanjem plina ali drugih goriv. • Izdelka ne uporabljajte brez pravilno nameščenih sijalk, zaradi tveganja električnega udara. • Izdelka NIKOLI ne uporabljajte brez pravilno nameščene rešetke. • Izdelka NIKOLI ne smete uporabiti kot odlagalno površino, razen če je to izrecno navedeno.

• Za zamenjavo svetilke uporabite samo tip svetilke, ki je naveden v razdelku o vzdrževanju / sistemu razsvetljave v tem priročniku. • Uporaba prostega plamena je škodljiva za filtre in lahko povzroči požar, zato se je v vsakem primeru temu treba izogniti. • Cvrtje je treba nadzirati, da se prepreči vžig pregretega olja. • V dvomu se posvetujte s pooblaščenim centrom za pomoč strankam ali podobnim kvalificiranim osebjem.

⚠ VARNOST PRI MONTAŽI

• Priložene pritrilne vijake uporabite samo, če so primerni za površino. V nasprotnem primeru nabavite ustrezno vrsto vijakov. Preverite, da v embalaži izdelka (zaradi potreb prevoza) ni morebitnega materiala (na primer, ovojnic z vijaki, garancijskih izjav itd.); če je, ga odstranite in shranite. • OPOZORILO: Opustitev montaže z vijaki in pritrilnimi napravami v skladu s temi navodili lahko predstavlja tveganje električnega udara. • Odvajalna cev ni v dobavi in jo morate dokupiti. • Premer odvodne cevi mora biti enakovreden premeru priključnega obroča. • Pri montaži izdelka na kuhhalno ploščo upoštevajte višino, ki je navedena na risbah • Najmanjša razdalja med nosilno površino posod na kuhalnii plošči in najnižjim delom kuhinjske nape ne sme biti manjša od 50 cm v primeru električnih kuhališč, in 65 cm v primeru plinskih ali mešanih kuhališč. • Če navodila za namestitvev plinske kuhalne plošče določajo večjo razdaljo, je to treba upoštevati.

⚠ VARNOST ELEKTRIČNE POVEZAVE

• Omrežna napetost mora ustrezati napetosti, prikazani na nalepki z značilnostmi, ki se nahaja znotraj izdelka. • Če je izdelek opremljen z vtičem, ga priključite v vtičnico, ki je

skladna z veljavnimi predpisi in se nahaja v območju, dostopnem tudi po namestitvi. • Če vtiča ni (priključitev neposredno na električno omrežje) ali če se vtič ne nahaja na dostopnem mestu tudi po namestitvi, uporabite standardno bipolarno stikalo, ki zagotavlja popoln odklop iz omrežja v primeru prenapetosti kategorije III, v skladu s predpisi za namestitvev. • Izdelek je opremljen s posebnim napajalnim kablom; če se kabel poškodeva, ga naročite službi za tehnično pomoč.

• **Pozor!** Pred vnovično vzpostavitvijo električnega napajanja aparata in preverjanjem pravilnega delovanja slednjega vselej preverite, ali je omrežni kabel pravilno montiran.

Pozor! Ne uporabljajte s programatorjem, timerjem, ločenim daljinskim upravljalnikom ali katero koli drugo napravo, ki se aktivira avtomatsko.

■ NASVETI ZA UPORABO

Nasveti za pravilno uporabo in manjši vpliv na okolje: Ko začnete kuhati, vklopite aparat z najmanjšo hitrostjo in ga pustite vklopljenega nekaj minut tudi po koncu kuhanja. Hitrost povečajte samo v primeru velike količine dima in pare, funkcijo Booster uporabite le v skrajnih primerih. Za ohranjanje učinkovitosti sistema odstranjevanja vonjav, zamenjajte filter/e z aktivnim ogljem, ko je to potrebno. Za ohranjanje učinkovitosti filtra maščob, ga po potrebi očistite. Za optimiziranje učinkovitosti in zmanjšanje hrupa naj bo največji premer odvodnega sistema tak, kot je navedeno v tem priročniku.

■ ODSTRANJEVANJE OB KONCU UPORABE



Ta naprava je označena v skladu z evropsko direktivo 2012/19 / ES - UK SI 2013 št.3113, Odpadna električna in elektronska oprema (OEEO).

Poskrbite, da bo ta izdelek pravilno odstranjen.

Uporabnik prispeva k preprečevanju morebitnih negativnih posledic za okolje in zdravje.

Simbol na izdelku ali v spremljajoči dokumentaciji kaže, da tega izdelka ne smemo obravnavati kot gospodinjinski odpadke, ampak ga je treba dostaviti v ustrezno zbiralno mesto za recikliranje električne in elektronske opreme. Aparat zavrzite v skladu s krajevnimi predpisi s področja odlaganja odpadkov. Za podrobnejše informacije o ravnanju, ponovni uporabi in recikliranju tega izdelka se obrnite na ustrezno krajevno službo, zbirni center komunalnih odpadkov ali trgovino, kjer ste izdelek kupili.

■ PREDPISI

Aparat je načrtovan, preizkušen in izdelan v skladu z varnostnimi standardi: EN/IEC 60335-1; EN/IEC 60335-2-31, EN/IEC 62233. Lastnosti: EN/IEC 61591; ISO 5167-1; ISO 5167-3; ISO 5168; EN/IEC 60704-1; EN/IEC 60704-2-13;EN/IEC 60704-3; ISO 3741; EN 50564; IEC 62301. EMC: EN 55014-1; CISPR 14-1; EN 55014-2; CISPR 14-2; EN/IEC 61000-3-2; EN/IEC 61000-3-3.

■ UPORABA

Sesalni sistem lahko uporabljate v sesalni različici z zunanjo evakuacijo ali z notranjim filtriranjem in recikliranjem.

• Sesalna različica:

Hlapi se odvajajo navzven prek odvodne cevi, ki je pritrjena na priključno prirobnico.

POZOR! Če je izdelek opremljen z ogljikovim(-i) filtrom(-i), ga(jih) odstranite.

Izdelek povežite s cevmi in odprtlinami za odvajanje skozi steno enakega premera, kot je izstop zraka (priključna prirobnica).

Uporaba cevi in odvodnih lukenj na steni z manjšim premerom bo pomenila zmanjšanje zmogljivosti sesanja in drastično povečanje hrupa.

S tem v zvezi zavrčamo vsako odgovornost.

- Uporabite čim krajši cevovod.
- Uporabite cevovod s čim manj kolena (največji kot kolena: 90°).
- Izogibajte se drastičnim spremembam preseka cevovoda.

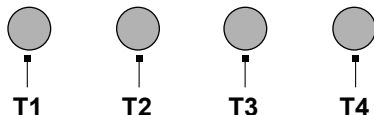
• Različica s filtriranjem:

Odsesani zrak se pred vračanjem v prostor razmasti in odišavi. Za uporabo izdelka v tej različici je treba namestiti dodatni filtrirni sistem z aktivnim ogljem.

■ MONTAŽA PRED NAMEŠČANJEM

- Preverite, ali velikost kupljenega izdelka ustreza izbranemu prostoru namestitve.
- Odstranite filter(-e) z aktivnim ogljem, če je(so) priložen(-i) (glejte tudi ustrezno poglavje).
- Tega(-e) je treba ponovno namestiti le, če se izdelek uporablja v filtrirni različici.
- Pri stranskih ploščah in/ali stenah in/ali stenskih omarih preverite, ali je dovolj prostora za namestitev izdelka in ali je vedno mogoče enostaven dostop do nadzorne plošče.
- Izdelek je opremljen s pritrtilnimi vložki, ki so primerni za večino sten / stropov. Vendar se je treba o ustreznosti materialov glede na vrsto stene / stropa posvetovati s kvalificiranim tehnikom. Stena / strop mora biti dovolj trdna, da prenese težo nape.

■ OPIS DELOVANJA




T1. Stikalo za luč ON/OFF.

T2. Stikalo OFF/hitrost 1

T3. Izbira hitrosti 2

■ OPOZORILA ZA VZDRŽEVANJE

- **Čiščenje:** Za čiščenje uporabljajte izključno samo krpo, navlaženo z nevtralnimi tekočimi čistilom. Za čiščenje ne uporabljajte orodij ali instrumentov.
- Izogibajte se uporabi grobih izdelkov. NE UPORABLJAJTE ALKOHOLA!

 Za vzdrževanje izdelka si oglejte slike na koncu namestitve, označene s tem simbolom.

• **✖A Maščobni filter:** Kovinski maščobni filter je treba očistiti enkrat mesečno z blagimi detergenti, ročno ali v pomivalnem stroju pri nizkih temperaturah in s kratkim ciklom. Za odstranitev maščobnega filtra povlecite vzmetni ročaj za odklop.

• Maščobni filter zadržuje maščobne delce iz kuhanja. S pranjem v pomivalnem stroju kovinski maščobni filter lahko zbledi, toda lastnosti filtriranja se v ničemer ne spremenijo.

• **✖B Filter na oglje (samo pri filtrirni različici):** Vložek je treba zamenjati vsaj vsake štiri mesece. Ni ga mogoče oprati ali regenerirati. Kot je navedeno v oddelku risb: odstranite maščobne filtre, na vsako stran namestite po en oglei filter in ga pritrdite na izdelek. Ponovno namestite maščobne filtre.

• Filter na oglje zadržuje neprijetne vonjave iz kuhanja. • Nasičenost filtra na oglje se pojavi po bolj ali manj daljši uporabi, odvisno od vrste kuhinje in pravilnosti čiščenja maščobnega filtra.

Razsvetljava

• Sistem razsvetljave temelji na tehnologiji LED. LED diode zagotavljajo optimalno osvetlitev, trajajo do 10-krat dlje kot običajne svetilke in omogočajo 90-odstotni prihranek električne energije.

• **Sistem osvetlitve :** Sistema osvetlitve uporabnik ne more zamenjati. V primeru nepravilnega delovanja se obrnite na servisni center.

HR

Proizvod je dizajniran za usisavanje dima i para od kuhanja i namijenjen je samo za domaću upotrebu.


Strogo se pridržavajte uputa navedenih u ovom priručniku. Odričemo se odgovornosti za bilo kakve neugodnosti, požare ili štetu koju proizvod prouzrokuje zbog nepridržavanja uputa iz ovog priručnika.

Aparat može izgledati estetski drugačije nego što je prikazano na crtežima u ovom priručniku. Međutim, upute za uporabu, održavanje i ugradnju ostaju iste.

• Važno je čuvati sve priručnike koji dolaze uz proizvod kako bi vam bili dostupni u bilo kojem trenutku. U slučaju prodaje, premještanja ili ustupanja proizvoda drugima,

pobrinite se da priručnici ostanu uz proizvod. • Pažljivo pročitate upute: sadrže važne podatke o ugradnji, uporabi i sigurnosti. • Prije ugradnje proizvoda provjerite njegovu cjelovitost. U suprotnom, kontaktirajte svog dobavljača i nemojte nastaviti s ugradnjom.

■ NAPOMENE

: dijelovi označeni ovim simbolom mogu se kupiti odvojeno kod specijaliziranih prodavača.

*: dijelovi označeni ovim simbolom dodatni su pribor koji se isporučuje samo u nekim modelima i može se kupiti na web stranicama www.elica.com i www.shop.elica.com.

■ SIGURNOST I NORME

⚠ OPĆA SIGURNOST

• Ne vršite električne ili mehaničke promjene na proizvodu ili na odvodnim cijevima. • Prije svake operacije čišćenja ili održavanja, isključite proizvod iz električne mreže uklonjenjem utikača ili odpajanjem na glavnoj sklopki kućanstva. • Za sve operacije instalacije i održavanja upotrebljavajte rukavice. • Uređajem se mogu koristiti djeca starija od 6 godina i osobe sa smanjenim fizičkim, osjetilnim i mentalnim sposobnostima ili s nedostatkom iskustva i znanja ako su pod nadzorom odnosno nakon što su poučeni o sigurnom načinu uporabe uređaja te razumiju opasnosti do kojih može doći. • Djeca trebaju biti pod nadzorom kako bi se osiguralo da se ne igraju s proizvodom. • Čišćenje i održavanje ne smiju obavljati djeca bez nadzora. • Prostorija mora biti dovoljno prozračena, kada se proizvod upotrebljava istovremeno s drugim uređajima za izgaranje plina ili drugih goriva. • Proizvod se mora često čistiti kako iznutra tako i izvana (NAJMANJE JEDNOM MJESEČNO), te strogo pratite ono što je naznačeno u uputama za održavanje. • Nepridržavanje pravila za čišćenje proizvoda i zamjenu i čišćenje filtera dovodi do rizika od požara. • Strogo je zabranjeno pripremati flambirana jela ispod proizvoda. • UPOZORENJE: Kada je ploča za kuhanje u uporabi, dostupni dijelovi proizvoda mogu se pregrijati. • Ne priključujte proizvod na napajanje sve dok ugradnja nije u potpunosti završena. • Što se tiče tehničkih i sigurnosnih mjera koje treba poduzeti za odvod ispušnih dimova, treba se strogo pridržavati odredbi nadležnih lokalnih vlasti. • Usisani zrak ne smije se poslati u odvod za ispuštanje dima nastalog od uređaja za izgaranje plina ili drugih goriva. • Nemojte koristiti proizvod ili ga ostavljati bez pravilno postavljenih žarulja zbog mogućeg strujnog udara. • Proizvod se NIKADA ne smije koristiti bez pravilno postavljene rešetke. • Proizvod se NIKADA ne smije koristiti kao potporna površina, osim ako nije izričito naznačeno.

• Prilikom zamjene žarulje, upotrijebite samo onu vrstu žarulje koja je navedena u odjeljku za održavanje/sustava rasvjete ovog priručnika. • Uporaba otvorenog plamena

štetna je za filtre i može dovesti do požara te je zbog toga strogo zabranjena. • Prženje se mora posebno nadzirati kako se pregrijano ulje ne bi zapalilo. • U slučaju nedoumice obratite se ovlaštenom servisu ili drugom kvalificiranom osoblju.

⚠ SIGURNOSNE UPUTE ZA UGRADNJU

• Za ugradnju koristite pričvršne vijke isporučene s proizvodom samo ako su prikladni za površinu, inače kupite ispravan tip vijaka. • Provjerite da unutar proizvoda (u svrhu prijevoza) nema popratnog materijala (na primjer, vrećice s vijcima, garancije i sl.), koji mora biti uklonjen i pohranjen. • UPOZORENJE: Instalacija vijaka i zatvarača koja nije u skladu s ovim uputama može dovesti do rizika vezanih uz električnu energiju. • Cijev za odvođenje nije isporučena i mora se kupiti. • Promjer ispušne cijevi mora biti jednak promjeru prstena za povezivanje. • Da biste proizvod postavili na ploču za kuhanje, slijedite visinu naznačenu na crtežima. • Minimalna udaljenost između potpome površine lonaca na ploči i najnižeg dijela nape ne smije biti manja od 50 cm u slučaju električnih štednjaka i 65 cm u slučaju plinskih ili miješanih štednjaka. • Ako upute za ugradnju plinske ploče za kuhanje navode veću udaljenost, to se mora uzeti u obzir.

⚠ SIGURNOSNE UPUTE ZA ELEKTRIČNO PRIKLJUČIVANJE

• Mrežni napon mora odgovarati naponu prikazanom na naljepnici sa karakteristikama koja se nalazi unutar proizvoda. • Ako je opremljen utikačem, spojite proizvod na utičnicu koja je u skladu s važećim propisima i nalazi se na mjestu dostupnom čak i nakon instalacije. • Ako nema utikača (izravni priključak na električnu mrežu) ili utikač nije postavljen na pristupačnom mjestu, čak i nakon instalacije, primijenite standardni bipolarni prekidač koji osigurava potpuno odvajanje od mreže u uvjetima prenaponske kategorije III, u skladu s pravila instalacije. • Proizvod je opremljen posebnim kabelom za napajanje; ako je kabel oštećen, zatražite ga od službe tehničke pomoći.

• **Pažnja!** Prije ponovnog povezivanja na mrežu i provjere ispravnog rada, uvijek provjerite je li kabel napajanja ispravno montiran.

Upozorenje! Nemojte upotrebljavati s programatorom, mjeračem vremena, zasebnim daljinskim upravljačem ili bilo kojim drugim uređajem koji se aktivira automatski.

■ SAVJETI ZA UPORABU

Savjeti za pravilnu uporabu kako bi se smanjio utjecaj na okoliš: Kada započnete s kuhanjem postavite uređaj na najmanju brzinu ostavljajući ga uključenim neko vrijeme i nakon završetka kuhanja. Povećajte brzinu samo u slučaju velikih količina dima i pare, koristeći funkciju booster samo u ekstremnim slučajevima. Za održavanje sustava za smanjenje mirisa učinkovitijim, u slučaju potrebe zamijenite ugljeni filter/ugljene filtre. Za održavanje učinkovitijim filtra za mast očistite ga po potrebi. Da bi optimizirali

učinkovitost i smanjili buku, koristite maksimalni promjer sustava kanala opisan u ovom priručniku.

■ ODLAGANJE NA KRAJU ŽIVOTNOG VIJEKA



Ovaj uređaj označen je u skladu s Europskom smjernicom 2012/19/EZ - UK SI 2013 No.3113, o otpadu električne i elektroničke opreme (OEEO). Ispravnim zbrinjavanjem ovog proizvoda, korisnik će pomoći u sprečavanju mogućih negativnih posljedica za okoliš i zdravlje.

Simbol na proizvodu ili na popratnoj dokumentaciji pokazuje da se ovaj proizvod ne smije tretirati kao kućni otpad, nego se mora dostaviti na odgovarajuće mjesto prikupljanja otpada za recikliranje električne i elektroničke opreme. Potrebno je smjestiti ovaj proizvod u otpad uz poštivanje lokalnih propisa o zbrinjavanju otpada. Za više informacija o tretiranju, preuzimanju i recikliranju ovog proizvoda obratite se odgovarajućem lokalnom uredu za upravljanje, uredu usluge prikupljanja kućnog otpada ili trgovini u kojoj je kupljen proizvod.

■ PROPISI

Uređaj je dizajniran, testiran i proizveden u skladu sa sigurnosnim propisima: EN/IEC 60335-1; EN/IEC 60335-2-31, EN/IEC 62233. Performanse: EN/IEC 61591; ISO 5167-1; ISO 5167-3; ISO 5168; EN/IEC 60704-1; EN/IEC 60704-2-13; EN/IEC 60704-3; ISO 3741; EN 50564; IEC 62301. EMC: EN 55014-1; CISPR 14-1; EN 55014-2; CISPR 14-2; EN/IEC 61000-3-2; EN/IEC 61000-3-3.

■ UPORABA

Sustav za usisavanje se može koristiti u načinu rada za ekstrakciju i evakuaciju zraka ili za filtriranje za unutarnju recirkulaciju.

● Usisna verzija:

Para izlazi van kroz ispušnu cijev pričvršćenu na spojnu prirubnicu.

PAŽNJA! Ako je proizvod opremljen filtrima s ugljenom, oni se moraju ukloniti.

Priključite proizvod na cijevi i odvodne rupe na zidu s promjerom koji odgovara promjeru izlaza zraka (spojnoj prirubnici).

Uporaba cijevi i odvodnih rupa na zidu s manjim promjerom dovest će do smanjenja usisne učinkovitosti i drastičnog povećanja razine buke.

Zbog toga proizvođač ne preuzima nikakvu odgovornost.

- Koristite minimalno dugu cijev.
- Koristite cijev sa što manje zavoja (maksimalni kut zavoja: 90°).
- Izbjegavajte drastične promjene promjera cijevi.

● Filtrirajuća verzija:

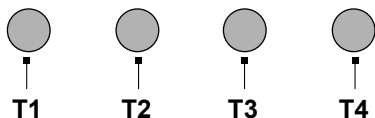
Usisani zrak odmastit će se i dezodorirati prije nego što se vrati u prostoriju. Za uporabu ove verzije proizvoda

potrebno je ugraditi dodatni sustav filtriranja na bazi aktivnog ugljena.

■ POSTAVLJANJE PRIJE UGRADNJE

- Provjerite ima li kupljeni proizvod prikladne dimenzije za odabrano područje ugradnje.
- Uklonite filtre s aktivnim ugljenom ako su isporučeni (vidjeti odgovarajući odjeljak).
- Ponovno ih postavite samo ako želite upotrebljavati proizvod u filtrirajućoj verziji.
- Ako postoje bočne ploče, zidovi i/ili viseće jedinice, provjerite ima li dovoljno prostora za ugradnju proizvoda i je li uvijek moguće lako pristupiti upravljačkoj ploči.
- Proizvod je opremljen tiplama za pričvršćivanje prikladnima za većinu zidova/stropova. Međutim, potrebno je savjetovati se s kvalificiranim tehničarom kako bi se utvrdila prikladnost materijala prema vrsti zida/stropa. Zid odnosno strop moraju biti dovoljno jaki da izdrže težinu nape.

■ RAD



T1. Prekidač za svjetlo uključuje /isključuje ON/OFF.

T2. Prekidač isključuje OFF/ brzina 1

T3. Odabir brzine 2

T4. Odabir brzine 3

■ UPOZORENJA O ODRŽAVANJU

- **Čišćenje:** Za čišćenje koristite ISKLJUČIVO vlažnu krpu i tekuće neutralne deterdžente. Nemojte upotrebljavati pribor ili alate za čišćenje.
- Izbjegavajte uporabu abrazivnih proizvoda. NEMOJTE KORISTITI ALKOHOL!



Za održavanje proizvoda pogledajte slike na kraju instalacije označene ovim simbolom.

- **✘A Filtar za masnoću:** Metalni filtari za mast mora se čistiti jednom mjesečno blagim deterdžentima, ručno ili u perilici posuđa na niskim temperaturama i u kratkom ciklusu. Da biste uklonili filtari za mast, povucite ručicu za oslobađanje opruge.
- Filtar za masnoću zadržava čestice masti koje nastaju kuhanjem. Prilikom pranja u perilici za posuđe, metalni filtari može izbljediti, ali njegova filterska svojstva se ne mijenjaju.

- **✘B Filtar s ugljenom (samo za filtrirajuću verziju):** Uložak je potrebno zamijeniti najmanje svaka četiri

mjeseca. NE MOŽE se oprati niti regenerirati. Kao što je naznačeno u odjeljku s crtežima: uklonite filtre za mast, postavite po jedan filtari s aktivnim ugljenom sa svake strane i zakačite ga za proizvod. Vratite filtre za mast.

- Filtari s ugljenom zadržava neugodne mirise kuhanja.
- Zasićenost filtra s ugljenom uglavnom nastaje nakon dugotrajne uporabe, ovisno o vrsti kuhinje i redovitosti čišćenja filtra za masnoću.

Rasvjeta

- Sustav rasvjete temelji se na LED tehnologiji. LED diode jamče optimalno osvjetljenje koje traje do 10 puta duže od onog tradicionalnih svjetiljki i omogućuju uštedu električne energije od 90 %.
- **Sustav rasvjete:** Korisnik ne može zamijeniti sustav rasvjete, u slučaju kvara obratite se službi za prodaju.

TR

Bu ürün, pişirme işleminden çıkan buhar ve dumanları çekmek için tasarlanmıştır ve yalnızca evlerde kullanılmak içindir.

Bu el kitabında belirtilen talimatlara sıkı sıkıya uygun hareket edin. Bu kılavuzda verilen talimatlara uygun hareket edilmemesinden kaynaklı, üründe meydana gelebilecek sorunlar, hasarlar veya yangınlarda her türlü sorumluluk reddedilir.

Cihaz bu kitapçıkta yer alan çizimlerdeki görsellerden farklı estetik özellikler bulunabilir ancak kullanma, bakım ve kurulum talimatları aynıdır.

- Ürünle birlikte gelen tüm kılavuzları dilediğiniz an başvurabileceğiniz şekilde saklamanız önemlidir. Ürünün satılması, başkasına verilmesi ya da taşınması halinde bu kullanım kılavuzunun da ürün ile birlikte verildiğinden emin olun.
- Talimatları dikkatle okuyun: Bunlar kurulum, kullanım ve güvenlikle ilgili önemli bilgilerdir.
- Kurulum işlemine devam etmeden önce ürünün sağlam olduğunu kontrol edin. Aksi takdirde üreticiyle irtibata geçip kurulumu devam etmeyin.

■ NOTLAR



Bu işaretle işaretlenen parçalar özel satıcılardan ayrıca satın alınabilir.



Bu işaretle işaretlenen parçalar yalnızca bazı modellerde sunulan isteğe bağlı aksesuarlardır ve www.elica.com ile www.shop.elica.com sitelerinden satın alınabilir.

■ GÜVENLİK VE YÖNETMELİKLER

⚠ GENEL GÜVENLİK

- Ürün veya tahliye kanalları üzerinde elektrik veya mekanik nitelikli değişiklikler yapmayın. Herhangi bir temizlik veya bakım işlemi yapmadan önce ürünün fişini çekerek veya

konunun ana şalterini kapatarak elektrik şebekesiyle olan bağlantısını kesin. •Tüm kurulum ve bakım işlemlerinde iş eldiveni kullanın. • Bu ürün, 8 yaşından büyük çocuklar ile fiziksel, duysal veya zihinsel kapasitesi düşük veya deneyimden ve gerekli bilgidenden yoksun kişilerce yalnızca gözetim altındayken veya cihazın güvenli kullanımına ilişkin talimatlar verildikten ve bu durumla ilgili tehlikeleri anlamaları sağlandıktan sonra kullanılabilir. • Cihazla oynamadıklarından emin olmak için çocuklar kontrol altında tutulmalıdır. • Temizlik ve bakım işlemleri çocuklar tarafından gözetimsiz olarak yapılmamalıdır. •Bu ürün, gaz veya başka yakıtları yakan diğer cihazlarla aynı anda kullanılacağı zaman söz konusu yerde yeterli havalandırma bulunmalıdır. •Ürünün içi ve dışı sık sık (EN AZINDAN AYDA BİR KEZ) temizlenmeli, bakım talimatlarında açıkça belirtilenlere uygun hareket edilmelidir. •Üründe temizlik/ parça değiştirme kurallarına uygun hareket edilmemesi ve filtrelerin temizlenmemesi yangın riskine neden olur. • Ürünün altında doğrudan alevde yiyecek pişirmek kesinlikle yasaktır. • DİKKAT: Ocak çalışırken ürünün erişilebilir kısımları ısınabilir. • Kurulum tamamen bitmeden ürünün elektrik şebekesiyle olan bağlantısını yapmayın. • Dumanları tahliye etmek için alınacak teknik tedbirler ve güvenlik tedbirleri açısından yerel yetkili mercilerin düzenlemelerinde şart koşulanlara titizlikle uyulması gerekir. • Çekilen hava, gaz veya başka yakıtlarla çalışan cihazlardan çıkan dumanların tahliyesi amacıyla kullanılan bir kanala sevk edilmemelidir. • Elektrik çarpması riski bulunduğundan ürünü lambası olmadan kullanmayın veya bırakmayın. • Izgarası doğru şekilde monte edilmemişse ürün KESİNLİKLE kullanılmamalıdır. • Açıkça belirtilmediği sürece ürün KESİNLİKLE dayanak yüzeyi olarak kullanılmamalıdır.

• Lambayı değiştirirken yalnızca bu kılavuzun bakım/ aydınlatma sistemi bölümünde belirtilen tipte lamba kullanın. • Açık alev kullanmak filtreler açısından zararlıdır ve yangınlara neden olabilir, bu nedenle her durumda kaçınılmalıdır. • Aşırı ısınan yağın alev almasını önlemek için kızartmalar kontrol altında yapılmalıdır. • Şüpheye düşerseniz, yetkili servis merkezine veya benzeri bir ehil personele danışın.

⚠️ KURULUMLA İLGİLİ GÜVENLİK

•Ürünle birlikte gelen tespit vidalarını yalnızca uygun yüzeylerde kullanın, aksi halde doğru tipte olanları edinin. Ürünün içinde (vida paketi, garanti belgesi gibi) ekstra malzemenin (nakliye nedeniyle) bulunup bulunmadığını kontrol edin. Bulduğunuz malzemeleri çıkartıp muhafaza edin. • UYARI: Kurulum için verilen talimatlara uygun vida ve aygıt kullanılmaması elektrik nitelikli risklerin doğmasına yol açabilir. • Tahliye borusu temin edilmez, satın alınmalıdır. • Tahliye borusunun çapı, bağlantı halkasının çapıyla aynı olmalıdır. • Ürünün ocak üzerinde kurulumu konusunda çizimlerde belirtilen yükseklığe dikkat edin • Pişirme cihazının üzerindeki kapların destek yüzeyi ile mutfak havluzunun alt kısmı arasındaki asgari mesafe

elektrikli ocaklarda 50 cm ve gazlı veya karma ocaklarda 65 cm olmalıdır. • Gazlı ocağın kurulum talimatlarında daha yüksek bir mesafe belirtilmişse, bu değerin dikkate alınması gerekir.

⚠️ ELEKTRİK BAĞLANTISIYLA İLGİLİ GÜVENLİK

•Şebeke gerilimi, ürünün içinde bulunan özellik etiketinde belirtilen gerilim değerine karşılık gelmelidir. •Fişi varsa, ürünü kurulumdan sonra da erişilebilir bir yerde olan, yürürlükteki yönetmeliklere uygun bir prize takın. • Fişi yoksa (doğrudan şebekeye bağlanıyorsa) veya fiş kurulumdan sonra da erişilebilen bir yerde değilse, kurulum kurallarına uygun olarak, aşırı gerilim kategorisi III koşullarında şebeke bağlantısının tamamen kesilmesini sağlayan standartlara uygun bir çift kutuplu şalter uygulayın. • Üründe özel bir besleme kablosu bulunur; bu kablounun hasar görmesi halinde teknik destek servisine çağırılması gerekir.

• **Dikkat!** Elektrik şebekesiyle bağlantıyı kurmadan ve doğru şekilde çalışıp çalışmadığını kontrol etmeden önce güç kablosunun doğru şekilde beşendiğinden emin olun.

Dikkat! Bir programlama cihazı, zamanlama cihazı, ayrı uzaktan kumanda veya otomatik olarak devreye giren herhangi başka bir donanımla birlikte kullanmayın.

■ KULLANIMLA İLGİLİ TAVSİYELER

Çevre üzerindeki etkileri azaltmak amacıyla doğru kullanıma ilişkin tavsiyeler: Pişirmeye başladığınızda cihazı en düşük seviyede açın, pişirme işlemi sona erdikten sonra birkaç dakika daha açık bırakın. Hızını yalnızca duman ve buhar miktarı çok fazla olursa arttırın, takviye özelliğini yalnızca olağanüstü durumlarda kullanın. Koku azaltma sisteminin verimini korumak için karbon filtre(yi)/filtreleri gerektiğinde değiştirin. Yağ filtresini verimli halde tutun, gerektiğinde temizleyin. Verimi optimize etmek ve gürültüleri azaltmak için bu kılavuzda belirtilen kanal yönlendirme sistemini azami çapta kullanın.

■ KULLANIM ÖMRÜ DOLDUĞUNDA BERTARAF

Bu cihaz 2012/19/EC sayılı Avrupa Direktifi - UK SI 2013 No.3113, Atık Elektrikli ve Elektronik Ekipman (AEEE) uyarınca işaretlenmiştir. Bu ürünün doğru şekilde bertaraf edildiğinden emin olun. Kullanıcı, çevre ve sağlık açısından potansiyel olumsuz sonuçların önlenmesine katkıda bulunur.



Ürün ya da ürün ile beraber verilen belgeler üzerinde bulunan işaret, bu cihazın evsel bir atık olarak görülmemesi gerektiğine işaret eder. Cihaz, bu tip elektrikli ve elektronik cihazların bertaraf edildiği dönüşümlü toplama noktasına teslim edilmelidir. Atıkları yok etme işlemi, atık yok etme konusunda çevre ile ilgili mevcut yerel düzenlemeler doğrultusunda gerçekleştirilmelidir. Bu ürünün geri dönüşüm koşulları hakkında ayrıntılı bilgi için, hudutları içinde bulunduğunuz belediyenin ilgili dairesine,

atık yok etme servisine veya ürünün satın alındığı mağazaya danışın.

■ YÖNETMELİKLER

Cihaz aşağıdaki Güvenlik standartlarına uygun şekilde tasarlanmış, test ve imal edilmiştir: EN/IEC 60335-1; EN/IEC 60335-2- 31, EN/IEC 62233. Performans: EN/IEC 61591; ISO 5167-1; ISO 5167-3; ISO 5168; EN/IEC 60704-1; EN/IEC 60704-2; EN/IEC 60704-3; ISO 3741; EN 50564; IEC 62301. EMC: EN 55014-1; CISPR 14-1; EN 55014-2; CISPR 14-2; EN/IEC 61000-3-2; EN/IEC 61000-3-3.

■ KULLANIM

Aspiratör sistemi, havayı dışarı atan veya filtre ederek içerde dolaştıran model olarak kullanılabilir.

● Havaı dışarı atan aspiratör modeli:

Buharlar, rakor flanşına bağlanan bir tahliye borusuyla dışarıya tahliye edilir.

DİKKAT! Üründe karbon filtre(ler) varsa bunlar çıkarılmalıdır.

Ürünü, hava çıkışıyla (rakor flanşı) aynı çapta olan borulara ve duvar tahliye deliklerine bağlayın.

Çapı daha küçük olan boruların ve duvar tahliye deliklerinin kullanılması hava çekme performansında düşüğe ve gürültüde çok fazla artışa yol açacaktır.

Bu nedenle bu konuda hiçbir sorumluluk kabul edilmez.

- Zorunlu aşgari uzunlukta bir boru kullanın.
- Mümkün olan en az sayıda dönüşe sahip bir boru kullanın (azami dönüş açısı: 90°).
- Boru kesitinde büyük değişiklikler olmasını önleyin.

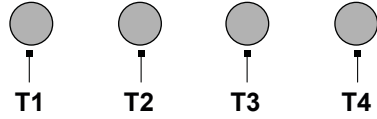
● Filtreleme Yapan Model:

Çekilen hava, odaya geri verilmeden önce yağdan ve kokudan arındırılır. Ürünü bu şekilde kullanmak için aktif karbon bazlı ilave filtreleme sistemi takılması gerekir.

■ KURULUMDAN ÖNCEKİ MONTAJ

- Satın alınan ürün boyutlarının yerleştirilecek alanıyla uyumlu olup olmadığını kontrol edin.
- Temin edilmişse, aktif karbon filtreyi/filtreleri çıkarın (ayrıca ilgili paragrafa bakın).
- Bu filtre/filtreler yalnızca ürünü filtreleme yapan model olarak kullanacağınız zaman geri takılmalıdır.
- Yan tarafta paneller ve/veya duvarlar ve/veya asma dolaplar varsa, ürünün kurulumunu yapmak için yeterli boşluk olduğundan ve kumanda paneline her zaman kolay erişilebileceğinden emin olun.
- Ürün, çoğu duvara/tavana uygun sabitleme dübelleriyle donatılmıştır. Bununla birlikte, malzemelerin duvar/tavan tipine göre uygunluğundan emin olmak için bir ehil teknisyene danışmak gerekir. Duvar/tavan davlumbazın ağırlığını taşıyaya yetecek kadar sağlam olmalıdır.

■ ÇALIŞTIRMA



- T1.** ON (Açık)/OFF (kapalı) ışık düğmesi
- T2.** OFF (kapalı)/1inci hız düğmesi
- T3.** 2inci hız seçimi
- T4.** 3üncü hız seçimi

■ BAKIM UYARILARI

- **Temizlik:** Temizlik işlemi için yalnızca nötr sıvı deterjanlarla nemlendirilmiş bir bez kullanın. Temizlik için takımları veya aletleri kullanmayın.
- Aşındırıcıları içeren ürünleri kullanmaktan kaçının. ALKOL KULLANMAYIN!



Ürünün bakımını yapmak için, kurulumun sonunda bu işaretin yer aldığı görsellere bakın.



✘A Yağ Giderici Filtre: Yağ giderici metal filtre aşındırıcı olmayan deterjanlar kullanılarak ayda bir kez elde veya kısa süreli programda ve düşük sıcaklıkta bulaşık makinesinde temizlenmelidir. Yağ filtresini sökmek için yaylı ayırma kolunu çekin.

• Yağ giderici filtre pişirme işleminden çıkan yağ parçacıklarını tutar. Bulaşık makinesinde yıkama yaparken yağ giderici metal filtrede renk değişikliği görülebilir ancak filtreleme özelliklerinde kesinlikle değişiklik olmaz.



✘B Karbon filtre (yalnızca filtreleme yapan modelde): Kartuşun en çok dört ayda bir değiştirilmesi gerekir. Bu parça YIKANAMAZ veya YENİLENEMEZ. Çizimler bölümünde gösterildiği gibi: Yağ giderici filtreleri çıkarın, her tarafa bir karbon filtre uygulayın ve ürüne takın. Yağ giderici filtreleri geri takın.

• Karbon filtre pişirme işleminden kaynaklı istenmeyen kokuları giderir. • Karbon filtre, yağ filtresinin düzenli temizliğine ve mutfak tipine bağlı olarak daha uzun veya daha kısa süreli kullanımdan sonra doygun hale gelebilir.

Aydınlatma

• Aydınlatma sistemi LED teknolojisini temel alır. LED lambalar en uygun aydınlatmayı sağlarken, geleneksel lambalara kıyasla 10 kata kadar daha uzun ömürlüdür ve elektrik enerjisinden %90 oranında tasarruf etmeye olanak tanırılır.

• **Aydınlatma Sistemi :** Aydınlatma sistemi kullanıcı tarafından değiştirilemez, arıza olması halinde teknik servisle bağlantı kurun.

AR - التحذيرات والتركيب


تم تصميم وتصنيع هذا المنتج لشفط الأبخرة والأبخرة الناتجة عن عمليات الطهي، وهو مخصص فقط للاستخدام المنزلي.

يرجى إتباع التعليمات والإرشادات الواردة في هذا الدليل والالتزام التام بها. نغفي أنفسنا من أية مسؤولية بشأن أية مشكلات أو أضرار أو حرائق تلحق بالمنتج نتيجة عدم الالتزام بالتحذيرات الواردة في هذا الدليل.

يمكن لهذا الجهاز من الناحية الشكلية أن يختلف عما هو وارد في تصميمات هذا الدليل، وفي جميع الأحوال فإن تعليمات الاستخدام والصيانة والتركيب تظل نفسها صالحة لكل أشكال هذا الجهاز.

• من المهم الاحتفاظ بجميع الكتيبات التي تصاحب المنتج من أجل التمكن من الإطلاع عليها في أية لحظة. في حالة البيع أو التنزل أو النقل، تأكد من أن الكتيبات تبقى مع المنتج. اقرأ التعليمات بعناية: توجد معلومات مهمة بشأن التركيب والاستخدام والسلامة. تتحقق من سلامة المنتج قبل الشروع في التركيب. خلاف ذلك، يجب الاتصال بوكيل التوزيع ويجب وقف عملية التركيب.

■ ملاحظات

 الأجزاء والمكونات المميزة بهذا الرمز يمكن شراؤها بشكل منفصل من البائعين المختصين.

* : الأجزاء والمكونات المميزة بهذا الرمز هي ملحقات تشغيلية اختيارية فقط في بعض الموديلات، ويمكن شراؤها من على الموقعين الإلكترونيين www.elica.com و www.shop.elica.com

■ السلامة واللوائح

⚠️ الأمان والسلامة العامة

• لا تقم بعمل أية تعديلات كهربائية أو ميكانيكية على المنتج ولا على أنابيب الطرد والتفريغ. قبل البدء في أية عمليات تنظيف أو صيانة، يجب فصل المنتج عن شبكة التيار الكهربائي وذلك بتزوير القابس من مقبس التيار أو بعلق قاطع التيار العمومي الخاص بالمنزل. يجب ارتداء قفازات الحماية عند القيام بعمليات التركيب والصيانة. يمكن استخدام هذا الجهاز من قبل الأطفال الأكبر من سن 8 سنوات والأشخاص الذين يعانون من قصور في قدراتهم البدنية أو الحسية أو العقلية، أو الذين لديهم نقص في الخبرة اللازمة أو المعرفة الضرورية لاستخدام هذه الجهاز شريطة أن يكونوا تحت ملاحظة وإشراف شخص بالغ أو بعد تعريفهم بالإرشادات والتعليمات اللازمة للاستخدام الصحيح لهذا الجهاز وبعد توعيمهم بالأخطار ذات الصلة. يجب مراقبة الأطفال لتأكد من عدم لعبهم بهذا المنتج. لا يجب أن تُفخذ النظافة والصيانة من قبل أطفال دون مراقبة. يجب توفير تهوية جيدة وكافية في مكان التركيب خاصة عندما يتم استخدام المنتج في نفس وقت تشغيل أجهزة أخرى تعمل بالغاز أو بأية محروقات أخرى. يجب باستمرار تنظيف هذا المنتج سواء من الداخل أو الخارج (على الأقل مرة واحدة كل شهر)، مع ضرورة مراعاة واحترام ما هو مذكور من إرشادات الصيانة الواردة في هذا الدليل. عدم مراعاة واحترام قواعد تنظيف المنتج وعمليات استبدال وتنظيف المرشحات يسبب أخطار عديدة ويسبب الحرائق. ممنوع منعاً باتاً طهي الطعام باللهب تحت المنتج. تنبيه: عند استخدام موقد الطهي المسطح تصبح الأجزاء القريبة من المنتج ساخنة. لا توصل المنتج بشبكة التيار الكهربائي إلا بعد التأكد تماماً من تركيبه. فيما يخص الإجراءات الفنية وتلك الخاصة بالأمن والسلامة والتي يجب إتخاذها لشفط وطرد الأبخرة، يجب الرجوع دائماً إلى ما نمتص عليه لوائح وقوانين السلطات المحلية المعنية بهذا الشأن والالتزام بها. يجب عدم نقل الهواء الذي يتم شفطه في الأنابيب

المستخدمة لطرد الأبخرة الناتجة عن أجهزة الاحتراق التي تعمل بالغاز أو بأية محروقات أخرى. لا تستخدم المنتج أو تركه دون مصابيح إضاءة والتي يجب تركيبها بالشكل الصحيح لتجنب التعرض لخطر الصدمات الكهربائية. يجب ألا يستخدم هذا المنتج مطلقاً دون أن تكون الشبكة الخاصة به ممتدة بالشكل الصحيح. لا يجب مطلقاً استخدام هذا المنتج كسطح لسند وحمل الأشياء عليه ما لم يسمح بذلك صراحة.

• من أجل استبدال المصباح، لا تستخدم إلا نوع المصباح المشار إليه في قسم الصيانة/نظام الإضاءة في هذا الدليل. استخدام اللهب الخرز ضاراً بالمرشحات ويمكن أن يسبب حرائق، لذلك يجب تجنب القيام بذلك في جميع الأحوال. يجب أن يتم القلي تحت مراقبة لمنع اشتعال الزيت الساخن. في حالة الشك، استشر مركز الدعم الفني المعتمد أو العمالة المؤهلة المماثلة.

⚠️ أمن وسلامة التركيب

• استخدم براغي التثبيت المرفقة بالمنتج فقط إذا كانت هذه البراغي ملائمة لسطح التثبيت، ولا قم بشراء براغي تثبيت أخرى ذات نوعية ملائمة. تأكد من عدم وجود أية مواد أو مكونات أو مرفقات داخل المنتج (قد توجد بغرض النقل) (مثل أكياس البراغي أو شهادات الضمان... الخ)، يجب إخراجها وحفظها قبل التخلص من العلبه. تحذير: عدم تركيب براغي وأجهزة التثبيت بالشكل المحدد في الإرشادات الواردة في هذا الدليل يمكن أن يعرضك لأخطار كهربائية. • أنبوب التفريغ لا يأتي مع الجهاز ويجب شراؤه. • قطر أنبوب التفريغ يجب أن يكون مساوٍ لقطر حلقة التوصيل. • لتركيب المنتج على موقد الطهي يجب الالتزام بمستوى الارتفاع المحدد في التصميمات ذات الصلة. يجب ألا تقل المسافة الدنيا بين السطح الداعم للحوايات على جهاز الطهي والجزء السفلي من شفاط موقد الطهي عن 50 cm في حالة موقد الطهي الكهربائي و 65 cm في حالة موقد الطهي الذي يعمل بالغاز أو المختلط. إذا ما كانت التعليمات الخاصة بتركيب الجهاز الذي يعمل بالغاز تحدد مسافة فاصلة أكبر، فإنه يجب أخذ ذلك في الاعتبار.

⚠️ الأمان والسلامة لتعليمات التوصيل الكهربائي

• يجب أن يتوافق فصل التيار الموجود في شبكة الكهرباء المترتبة مع جهد التيار المحدد لتنشغيل المنتج والمذكور على لوحة البيانات التعريفية والمواصفات الموجودة داخل هذا المنتج. في حالة وجود قابس تيار قم بتوصيل المنتج بمأخذ تيار مطابق للقواعد والقوانين المعمول بها في هذا الشأن والذي يجب تواعده في منطقة قريبة سهلة الوصول إليها أيضاً بعد إتمام عملية التركيب. في حالة عدم وجود قابس التيار (للتوصيل المباشر بشبكة التيار) أو في حالة أن قابس التيار موجود في مكان بعيد صعب الوصول إليه، حتى بعد إتمام عملية التركيب، قم بوضع مفتاح قطع وتوصيل تيار ثنائي الأقطاب مطابق للمواصفات التي تضمن الفصل الكامل للتيار الكهربائي في حالات الحمولات الكهربائية الزائدة من الفئة III، بالشكل الذي ينطبق مع قواعد وشروط التركيب. تم تزويد المنتج بكابيل خاص للتغذية بالتيار الكهربائي؛ في حالة تضرر هذا الكابيل أو تلفه، اطلبه من مركز خدمة العملاء وتقديم الدعم الفني.

• **تنبيه!** قبل إعادة توصيل دائرة التشغيل بشبكة التيار الكهربائي وقبل التأكد من عملها بالشكل الصحيح، يجب دائماً التحقق أولاً من أن كابيل التغذية بالتيار قد تم تركيبه بالشكل الصحيح.

• **تنبيه!** لا تستخدم الجهاز مع أداة برمجة أو مؤقت أو جهاز تحكم عن بعد منفصل أو أي جهاز يتم تنشيطه تلقائياً.

■ اقتراحات للاستخدام

اقتراحات لكيفية استخدام الجهاز بالشكل الصحيح بغرض تقليل الأثر البيئي له: عند بدء عملية الطهي، أوقد الجهاز على الحد الأدنى للسرعة، مع تركه يعمل أيضاً لضع دقائق بعد الانتهاء من عملية الطهي. لا تقم بزيادة السرعة إلا في حالة الكميات الكبيرة من الدخان والبخر، مع

الغسيل في غسّالة الأطباق فإن مرشح إزالة الدهون المعدني يمكن أن يفقد لونه ولكن خصائصه ومواصفاته المتعلقة بعملية الترشيح لا تتغير مطلقاً.

B. مرشح الكربون (فقط للإصدار المزود بالترشيح): من

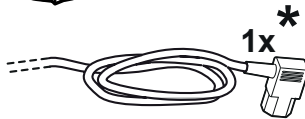
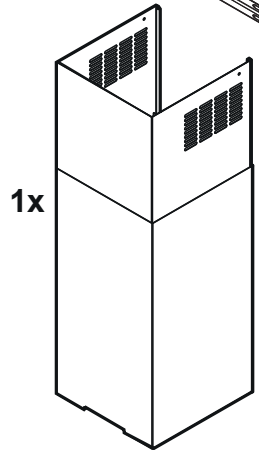
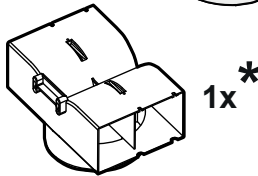
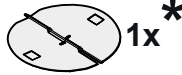
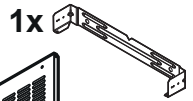
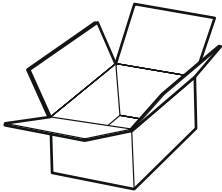
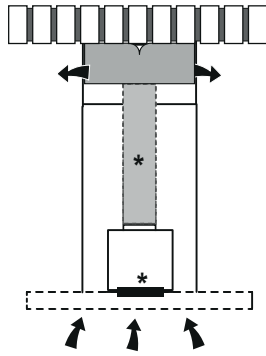
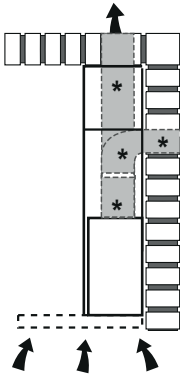
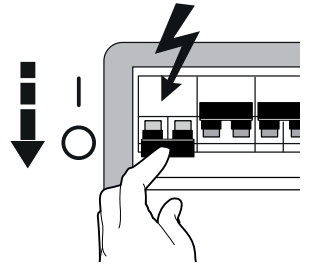
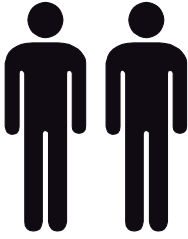
الضروري استبدال الخرطوشة كل أربعة شهور كحد أقصى. لا يجوز غسله أو إعادة تنشيطه. كما هو موضح في قسم التصميمات: انزع مرشحات إزالة الدهون، ثم ضع مرشح الكربون على الجانب، ثم قم بتعشيقه في المنتج. أعد تركيب مرشحات إزالة الدهون.

• يحتجز مرشح الكربون الروائح الكريهة الناتجة عن الطهي. • يحدث تشبع مرشح الكربون بعد استخدام طويل إلى حد ما وفقاً لنوع الطهي وانتظام تنظيف مرشح الدهون.

الإضاءة

• يعتمد نظام الإضاءة على تكنولوجيا الليد. تضمن مصابيح الليد إضاءة مثالية، مع عمر يزيد حتى 10 مرات بالمقارنة بالمصابيح التقليدية وتسمح بتوفير 90% من الطاقة الكهربائية.

• **نظام الإضاءة:** نظام الإضاءة غير قابل للاستبدال من قبل المستخدم، في حالة حدوث أعطال اتصل بخدمة المساعدة.



6x
Ø8x40 mm



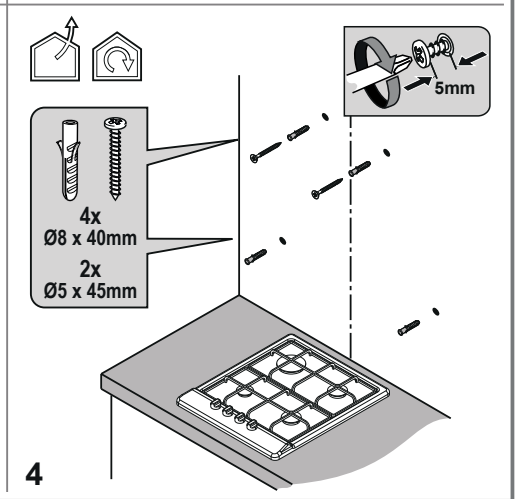
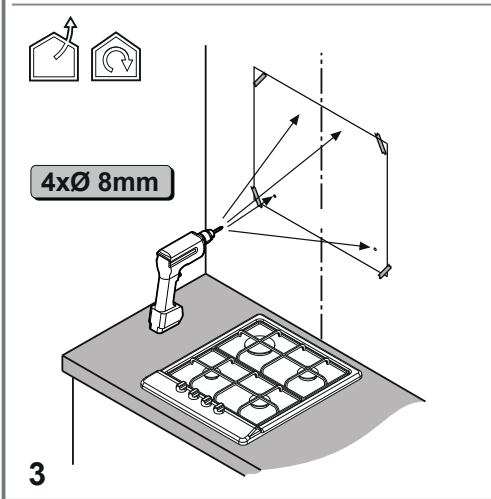
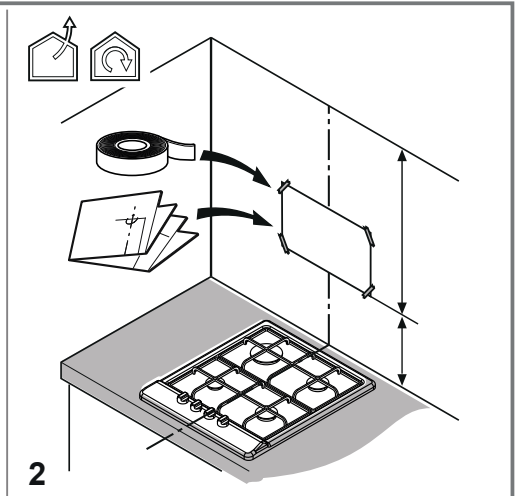
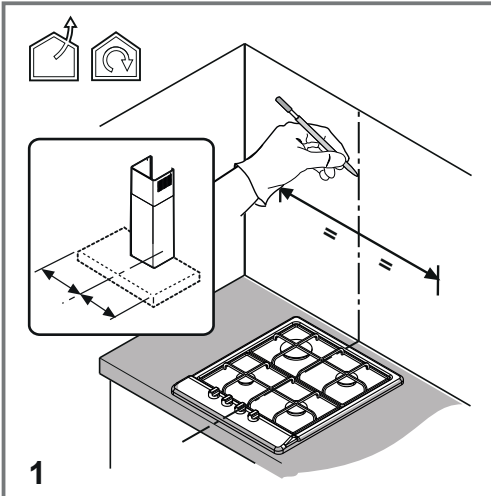
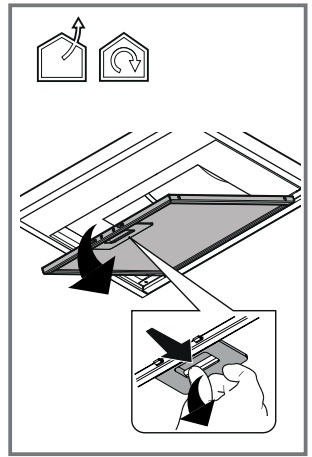
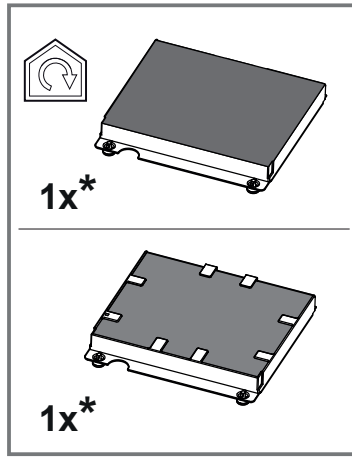
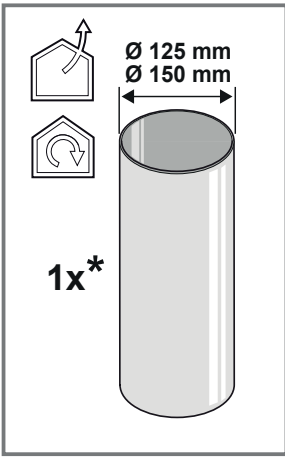
6x
Ø5x45 mm

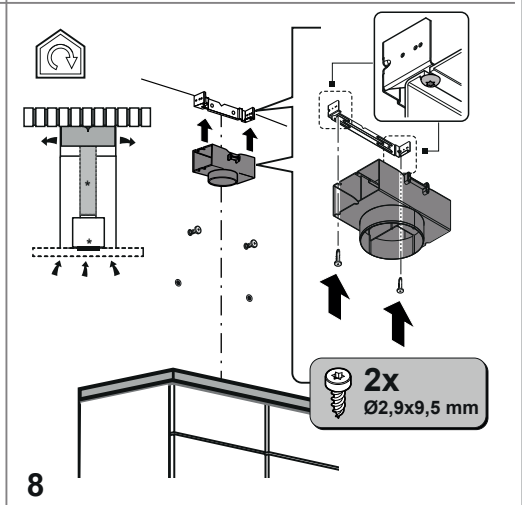
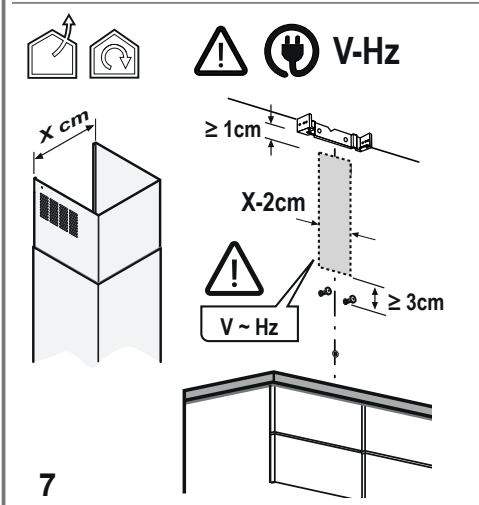
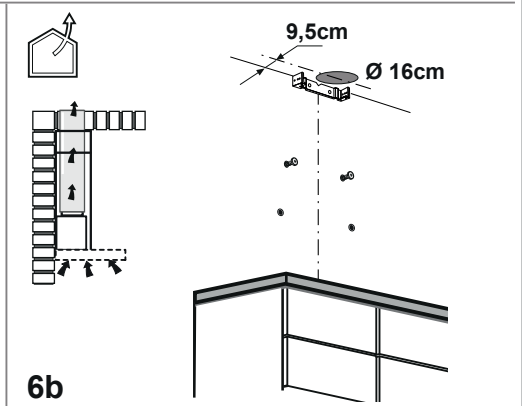
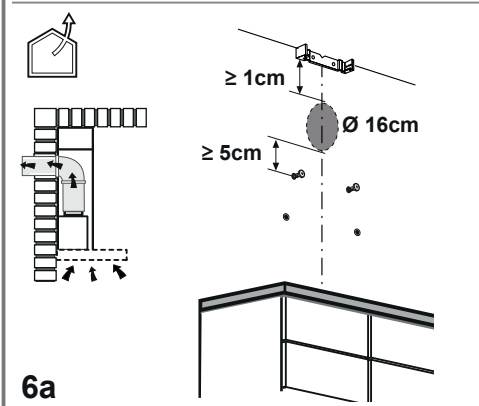
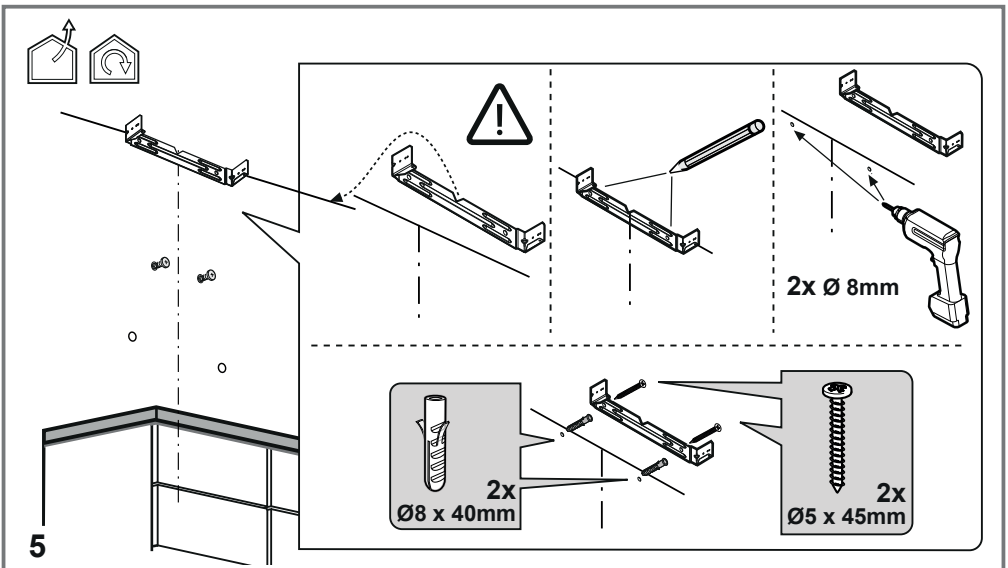


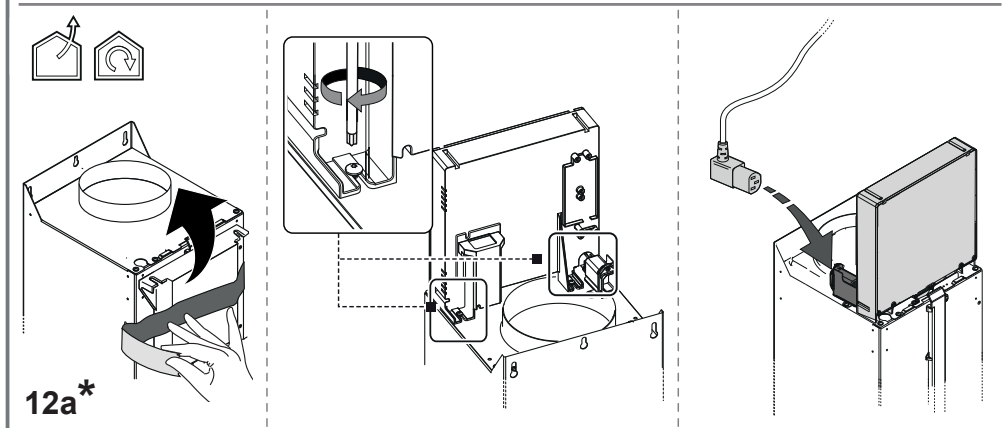
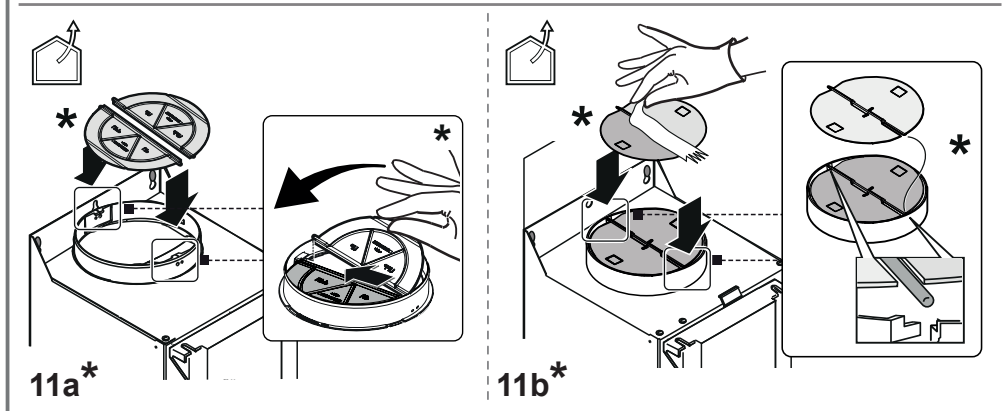
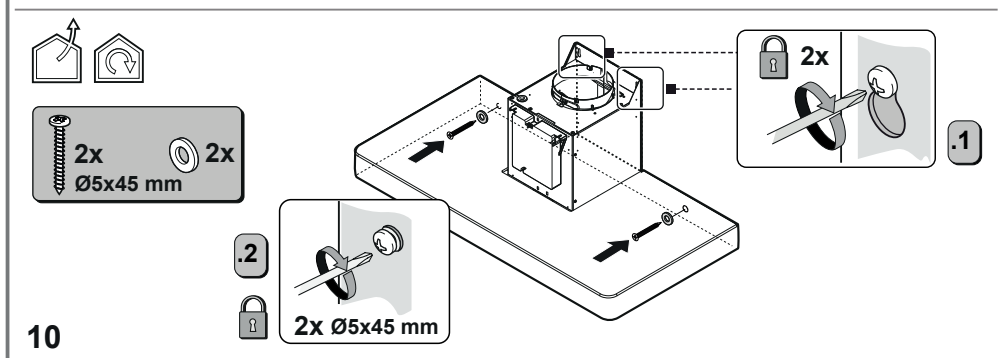
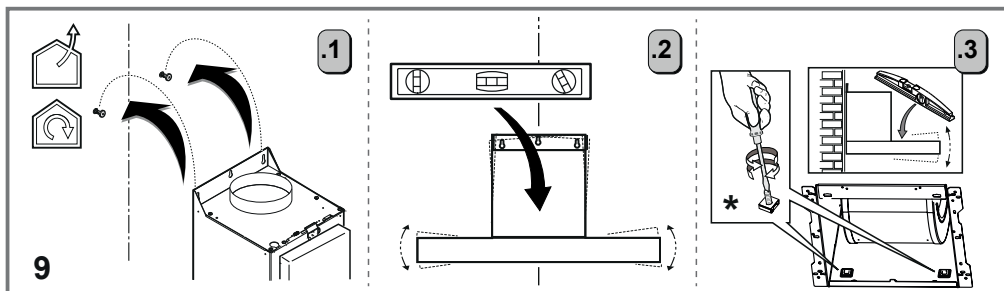
4x
Ø2,9x6,5 mm

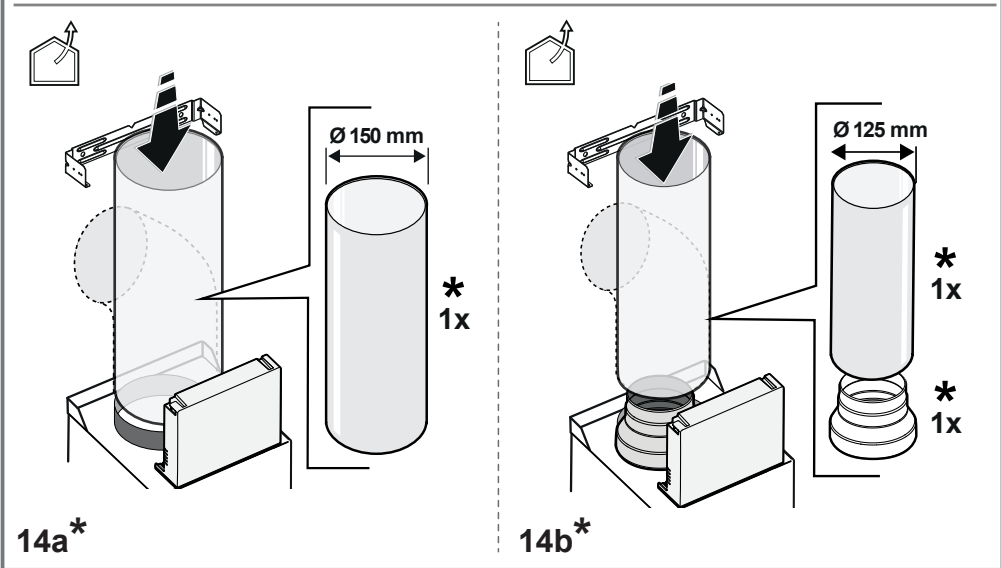
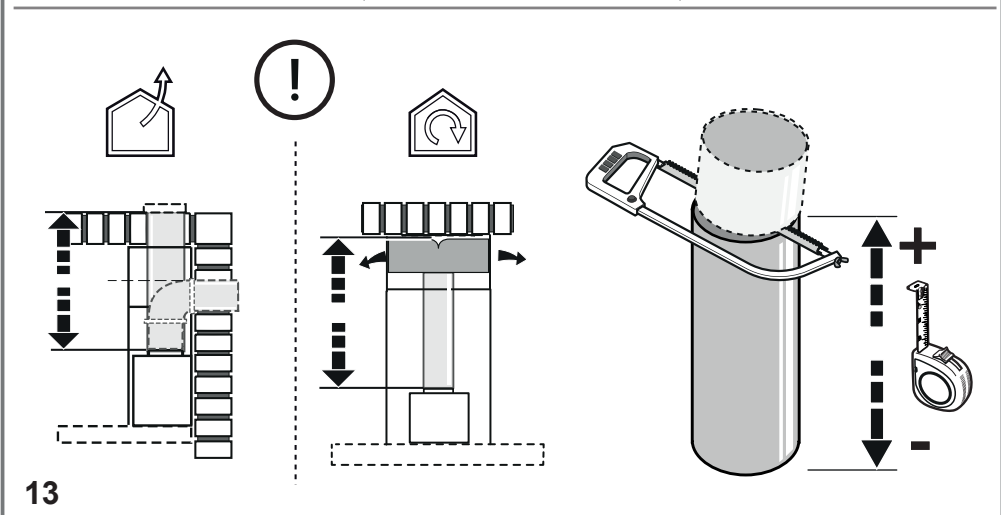
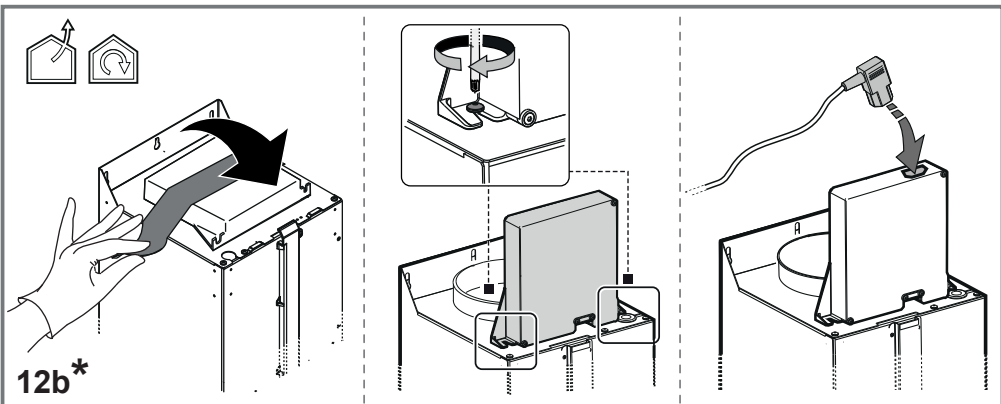


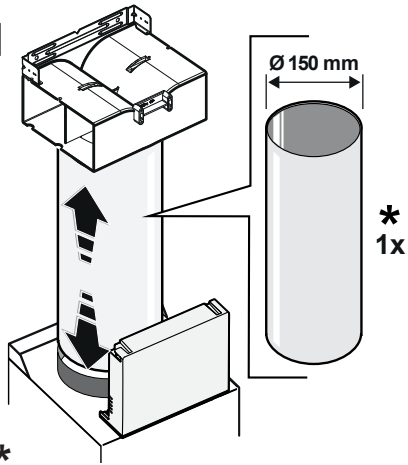
2x



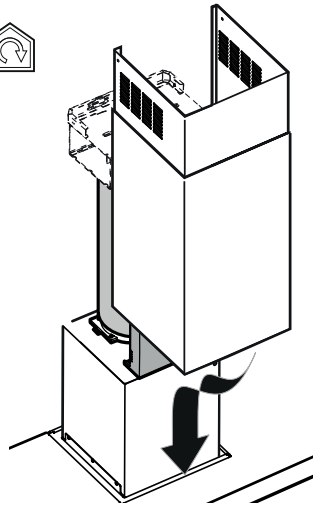
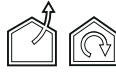




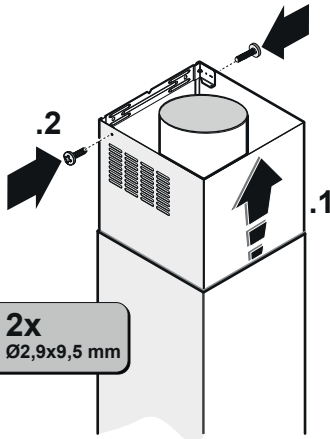




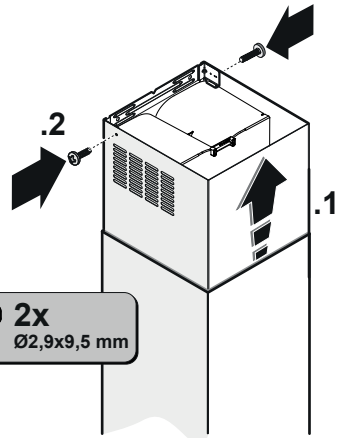
15*



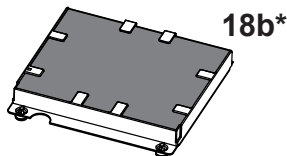
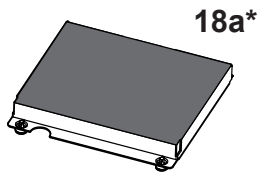
16



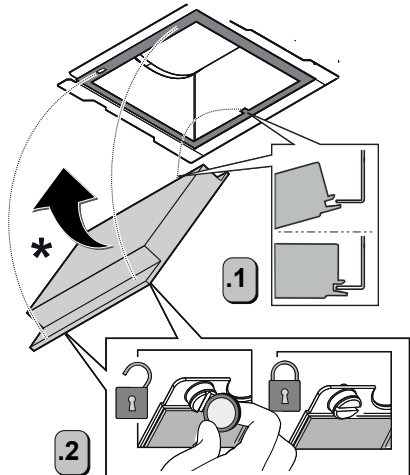
17a

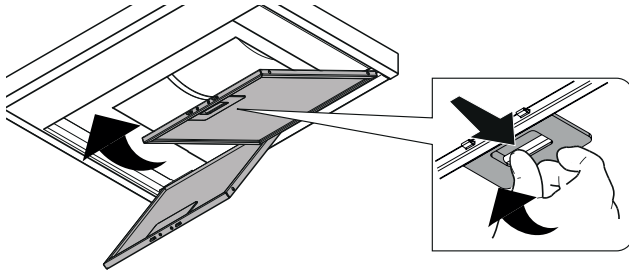


17b

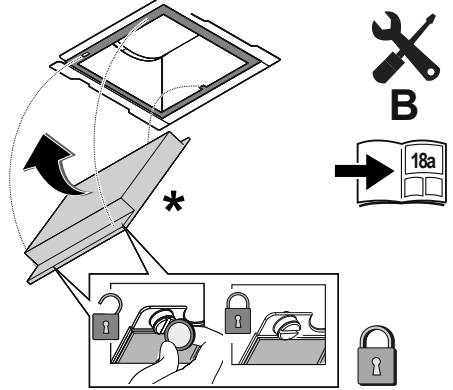
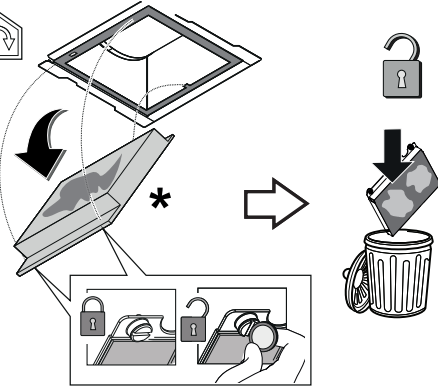


18

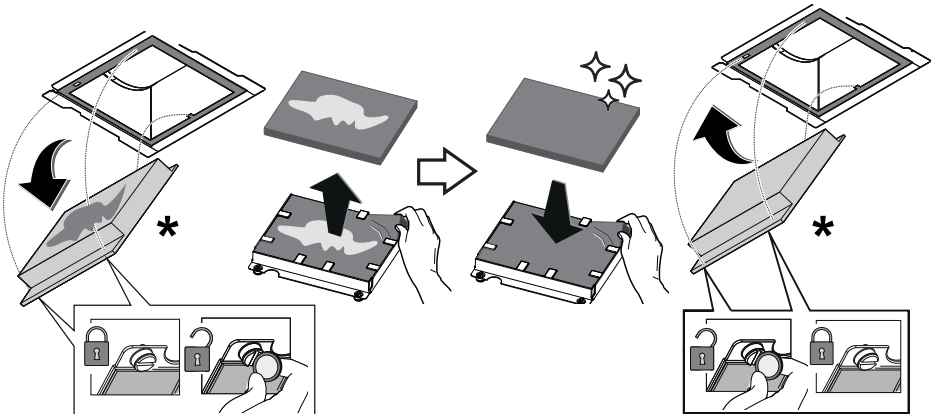
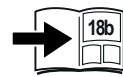




19



20



21

elica[®]



LIB0181151 Ed. 11/24

beko

Refrigerator

Instruction of use

Kühlschrank

Gebrauchsanweisung

Réfrigérateur

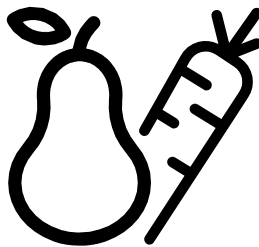
Notice d'utilisation

Koelkast

Gebruiksaanwijzing

Frigorifero

Istruzioni per l'uso



BSSA210K4SN

CE

EN-DE-FR-NL-IT

Please read this user manual first!

Dear Customer,

We hope that your product, which has been produced in modern plants and checked under the most meticulous quality control procedures, will provide you an effective service.




Therefore, read this entire user manual carefully before using the product and keep it as a reference. If you handover the product to someone else, give the user manual as well.

The user manual will help you use the product in a fast and safe way.

- Read the manual before installing and operating the product.
- Make sure you read the safety instructions.
- Keep the manual in an easily accessible place as you may need it later.
- Read the other documents given with the product.
- Remember that this user manual is also applicable for several other models.
- Differences between models will be identified in the manual.

Explanation of symbols

Throughout this user manual the following symbols are used:

-  Important information or useful tips.
-  Warning against dangerous conditions for life and property.
-  Warning against electric voltage.



WARNING!

In order to ensure a normal operation of your refrigerating appliance, which uses a completely environmentally friendly refrigerant the R600a (flammable only under certain conditions) you must observe the following rules:

- Do not hinder the free circulation of the air around the appliance.
- Do not use mechanical devices in order to accelerate the defrosting, others than the ones recommended by the manufacturer.
- Do not destroy the refrigerating circuit.
- Do not use electric appliances inside the food keeping compartment, other than those that might have been recommended by the manufacturer.

INFORMATION



ENERGY



SUPPLIER'S NAME

MODEL IDENTIFIER (*)

A

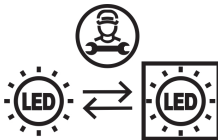
A

The model information as stored in the product data base can be reached by entering following website and searching for your model identifier (*) found on energy label.

<https://eprel.ec.europa.eu/>

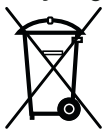
CONTENTS

1 Your refrigerator	3	4 Preparation	10
2 Important Safety Warnings	4	5 Using your refrigerator	11
Intended use	4	Thermostat setting button.....	11
General safety.....	4	Cooling.....	11
Compliance with RoHS Directive:	6	Freezing.....	11
Child safety.....	6	Defrost	12
HCA Warning	6	Stopping your product.....	12
Things to be done for energy saving ..	6	Bottle holder.....	12
3 Installation	7	6 Maintenance and cleaning	13
Points to be considered when re-transporting your refrigerator	7	Protection of plastic surfaces	13
Before operating your refrigerator	7	7 Recommended solutions for the problems	14
Electric connection	7		
Disposing of the packaging	7		
Disposing of your old refrigerator	8		
Placing and Installation	8		
Replacing the interior light bulb	8		
Reversing the doors	9		



This product is equipped with a lighting source of the "G" energy class. The lighting source in this product shall only be replaced by professional repairers.

Recycling

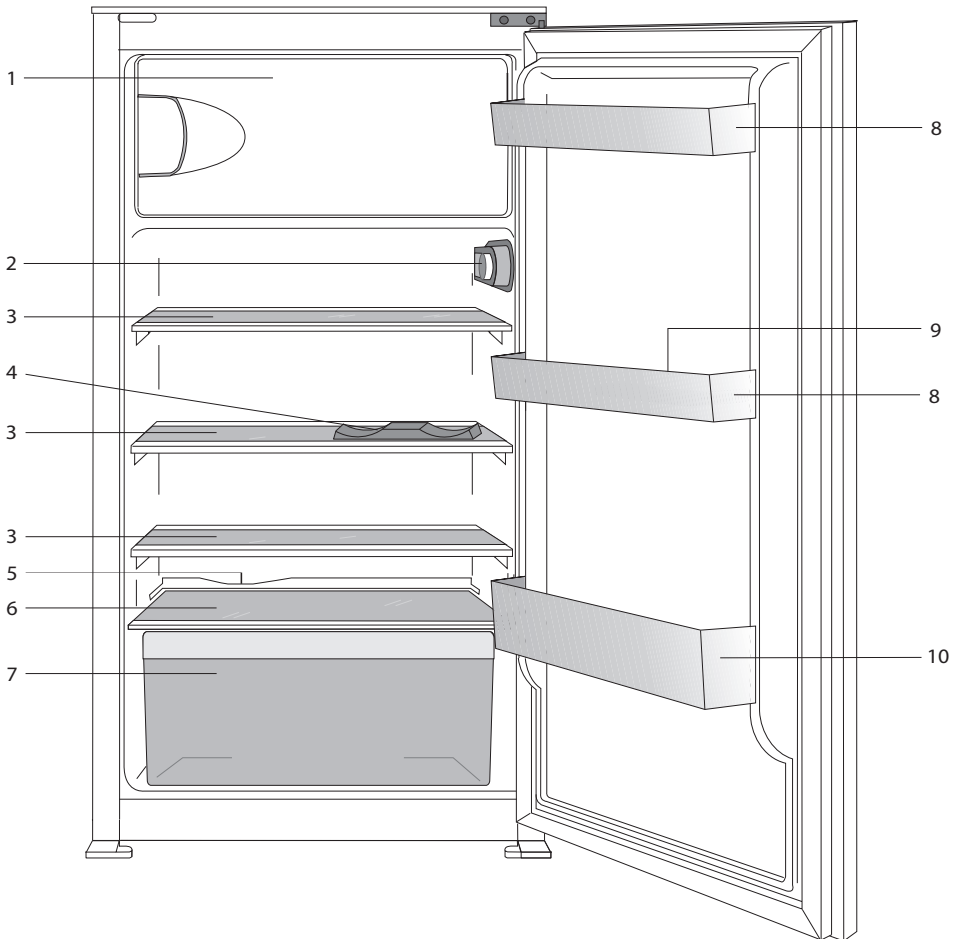


This product is supplied with the selective sorting symbol for waste electrical and electronic equipment (WEEE).

This means that this product must be handled pursuant to European Directive 2012/19/EU in order to be recycled or dismantled to minimise its impact on the environment. For further information, please contact your local or regional authorities.

Electronic products not included in the selective sorting process are potentially dangerous for the environment and human health due to the presence of hazardous substances.

1 Your refrigerator



1. a.) Freezing compartment & ice tray
(for ✖ ✖ ✖ ✖ models)
b.) Frozen food compartment & ice tray
(for ✖ ✖ models)
2. Light bulb and thermostat box
3. Movable shelves
4. Bottle holder
5. Defrost water collection channel -drain tube
6. Crisper cover
7. Crisper
8. Adjustable door shelves
9. Egg tray
10. Bottle shelf

i Figures that take place in this instruction manual are schematic and may not correspond exactly with your product. If the subject parts are not included in the product you have purchased, then it is valid for other models.

2 Important Safety Warnings

Please review the following information. Failure to observe this information may cause injuries or material damage. Otherwise, all warranty and reliability commitments will become invalid.

Original Spare parts will be provided for 10 years, following the product purchasing date.

Intended use

- This product is intended to be used:
 - indoors and in closed areas such as homes;
 - in closed working environments such as stores and offices;
 - in closed accommodation areas such as farm houses, hotels, pensions.
- This product should not be used outdoors.

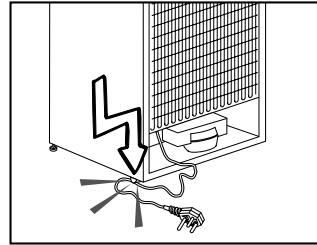
General safety

- When you want to dispose/scrap the product, we recommend you to consult the authorized service in order to learn the required information and authorized bodies.
- Consult your authorized service for all your questions and problems related to the refrigerator. Do not intervene or let someone intervene to the refrigerator without notifying the authorised services.
- For products with a freezer compartment; Do not eat cone ice cream and ice cubes immediately after you take them out of the freezer compartment! (This may cause frostbite in your mouth.)
- For products with a freezer compartment; Do not put bottled and canned liquid beverages in the freezer compartment. Otherwise, these may burst.

- Do not touch frozen food by hand; they may stick to your hand.
- Unplug your refrigerator before cleaning or defrosting.
- Vapor and vaporized cleaning materials should never be used in cleaning and defrosting processes of your refrigerator. In such cases, the vapor may get in contact with the electrical parts and cause short circuit or electric shock.
- Never use the parts on your refrigerator such as the door as a means of support or step.
- Do not use electrical devices inside the refrigerator.
- Do not damage the parts, where the refrigerant is circulating, with drilling or cutting tools. The refrigerant that might blow out when the gas channels of the evaporator, pipe extensions or surface coatings are punctured causes skin irritations and eye injuries.
- Do not cover or block the ventilation holes on your refrigerator with any material.
- Electrical devices must be repaired by only authorised persons. Repairs performed by incompetent persons create a risk for the user.
- In case of any failure or during a maintenance or repair work, disconnect your refrigerator's mains supply by either turning off the relevant fuse or unplugging your appliance.
- Do not pull by the cable when pulling off the plug.
- Place the beverage with higher proofs tightly closed and vertically.
- Never store spray cans containing flammable and explosive substances in the refrigerator.

- Do not use mechanical devices or other means to accelerate the defrosting process, other than those recommended by the manufacturer.
- This appliance is not intended for use by persons (including children) with reduced physical, sensory or mental capabilities, or lack of experience and knowledge, unless they have been given supervision or instruction concerning use of the appliance by a person responsible for their safety. Children should be supervised to ensure that they do not play with the appliance.
- Do not operate a damaged refrigerator. Consult with the service agent if you have any concerns.
- Electrical safety of your refrigerator shall be guaranteed only if the earth system in your house complies with standards.
- Exposing the product to rain, snow, sun and wind is dangerous with respect to electrical safety.
- Contact authorized service when there is a power cable damage to avoid danger.
- Never plug the refrigerator into the wall outlet during installation. Otherwise, risk of death or serious injury may arise.
- This refrigerator is intended for only storing food items. It must not be used for any other purpose.
- Label of technical specifications is located on the left wall inside the refrigerator.
- Never connect your refrigerator to electricity-saving systems; they may damage the refrigerator.
- If there is a blue light on the refrigerator, do not look at the blue light with optical tools.
- For manually controlled refrigerators, wait for at least 5 minutes to start the refrigerator after power failure.

- This operation manual should be handed in to the new owner of the product when it is given to others.
- Avoid causing damage on power cable when transporting the refrigerator. Bending cable may cause fire. Never place heavy objects on power cable. Do not touch the plug with wet hands when plugging the product.



- Do not plug the refrigerator if the wall outlet is loose.
- Water should not be sprayed directly on inner or outer parts of the product for safety purposes.
- Do not spray substances containing inflammable gases such as propane gas near the refrigerator to avoid fire and explosion risk.
- Never place containers filled with water on top of the refrigerator, otherwise this may cause electric shock or fire.
- Do not overload your refrigerator with excessive amounts of food. If overloaded, the food items may fall down and hurt you and damage refrigerator when you open the door. Never place objects on top of the refrigerator; otherwise, these objects may fall down when you open or close the refrigerator's door.
- As they require a precise temperature, vaccines, heat-sensitive medicine and scientific materials and etc. should not be kept in the refrigerator.

- If not to be used for a long time, refrigerator should be unplugged. A possible problem in power cable may cause fire.
- The plug's tip should be cleaned regularly with a dry cloth; otherwise, it may cause fire.
- Refrigerator may move if adjustable legs are not properly secured on the floor. Properly securing adjustable legs on the floor can prevent the refrigerator to move.
- When carrying the refrigerator, do not hold it from door handle. Otherwise, it may be snapped.
- When you have to place your product next to another refrigerator or freezer, the distance between devices should be at least 8 cm. Otherwise, adjacent side walls may be humidified.
- This appliance can be used by children aged from 8 years and above and persons with reduced physical, sensory or mental capabilities or lack of experience and knowledge if they have been given supervision or instruction concerning use of the appliance in a safe way and understand the hazards involved. Children shall not play with the appliance. Cleaning and user maintenance shall not be made by children without supervision

Compliance with RoHS Directive:

- The product you have purchased complies with EU RoHS Directive (2011/65/EU). It does not contain harmful and prohibited materials specified in the Directive.

Child safety

- If the door has a lock, the key should be kept away from reach of children.
- Children must be supervised to prevent them from tampering with the product.

HCA Warning **If your product's cooling system contains R600a:**

This gas is flammable. Therefore, pay attention to not damaging the cooling system and piping during usage and transportation. In the event of damage, keep your product away from potential fire sources that can cause the product catch a fire and ventilate the room in which the unit is placed.

Ignore this warning if your product's cooling system contains R134a.

Type of gas used in the product is stated in the type plate which is on the left wall inside the refrigerator.

Never throw the product in fire for disposal.

Things to be done for energy saving

- Do not leave the doors of your refrigerator open for a long time.
- Do not put hot food or drinks in your refrigerator.
- Do not overload your refrigerator so that the air circulation inside of it is not prevented.
- Do not install your refrigerator under direct sunlight or near heat emitting appliances such as ovens, dishwashers or radiators.
- Pay attention to keep your food in closed containers.
- For products with a freezer compartment; You can store maximum amount of food items in the freezer when you remove the shelf or drawer of the freezer. Energy consumption value stated for your refrigerator has been determined by removing freezer shelf or drawer and under maximum load. There is no harm to use a shelf or drawer according to the shapes and size of food to be frozen.
- Thawing frozen food in fridge compartment will both provide energy saving and preserve the food quality.

3 Installation

⚠ In case the information which are given in the user manual are not taken into account, manufacturer will not assume any liability for this.

Points to be paid attention to when the relocation of the refrigerator

1. Your refrigerator should be unplugged. Before transportation of your refrigerator, it should be emptied and cleaned.
2. Before it is re-packaged, shelves, accessories, crisper, etc. inside your refrigerator should be fixed with adhesive tape and secured against impacts. Package should be bound with a thick tape or sound ropes and the transportation rules on the package should be strictly observed.
3. Original packaging and foam materials should be kept for future transportations or moving.

Before you start the refrigerator

Check the following before you start to use your refrigerator:

1. Is the interior of the refrigerator dry and can the air circulate freely in the rear of it?
2. Clean the interior of the refrigerator as recommended in the "Maintenance and cleaning" section.

3. Connect the plug of the refrigerator to the wall socket. When the fridge door is opened, fridge internal lamp will turn on.
4. When the compressor starts to operate, a sound will be heard. The liquid and gases sealed within the refrigeration system may also give rise to noise, even if the compressor is not running and this is quite normal.
5. Front edges of the refrigerator may feel warm. This is normal. These areas are designed to be warm to avoid condensation.

Electrical connection

Connect your product to a grounded socket which is being protected by a fuse with the appropriate capacity.

Important:

The connection must be in compliance with national regulations.

- The power plug must be easily accessible after installation.
- Electrical safety of your refrigerator shall be guaranteed only if the earth system in your house complies with standards.
- The voltage stated on the label located at left inner side of your product should be equal to your network voltage.
- **Extension cables and multi plugs must not be used for connection.**

⚠ A damaged power cable must be replaced by a qualified electrician.

⚠ Product must not be operated before it is repaired! There is the risk of electric shock!

Disposing of the packaging

The packing materials may be dangerous for children. Keep the packing materials out of the reach of children or dispose of them by classifying them in accordance with the waste instructions stated by your local authorities. Do not throw away with regular house waste, throw away on packaging pick up spots designated by the local authorities.

The packing of your refrigerator is produced from recyclable materials.

Disposing of your old refrigerator

Dispose of your old refrigerator without giving any harm to the environment.

- You may consult your authorized dealer or waste collection center of your municipality about the disposal of your refrigerator.

Before disposing of your refrigerator, cut out the electric plug and, if there are any locks on the door, make them inoperable in order to protect children against any danger.

Placing and Installation

⚠ If the entrance door of the room where the refrigerator will be installed is not wide enough for the refrigerator to pass through, then call the authorized service to have them remove the doors of your refrigerator and pass it sideways through the door.

1. Install your refrigerator to a place that allows ease of use.
2. Keep your refrigerator away from heat sources, humid places and direct sunlight.
3. There must be appropriate air ventilation around your refrigerator in order to achieve an efficient operation. If the refrigerator is to be placed in a recess in the wall, there must be at least 5 cm distance with the ceiling and at least 5 cm with the wall. Do not place your product on the materials such as rug or carpet.
4. Place your refrigerator on an even floor surface to prevent jolts.
5. Do not keep your refrigerator in ambient temperatures under 10°C

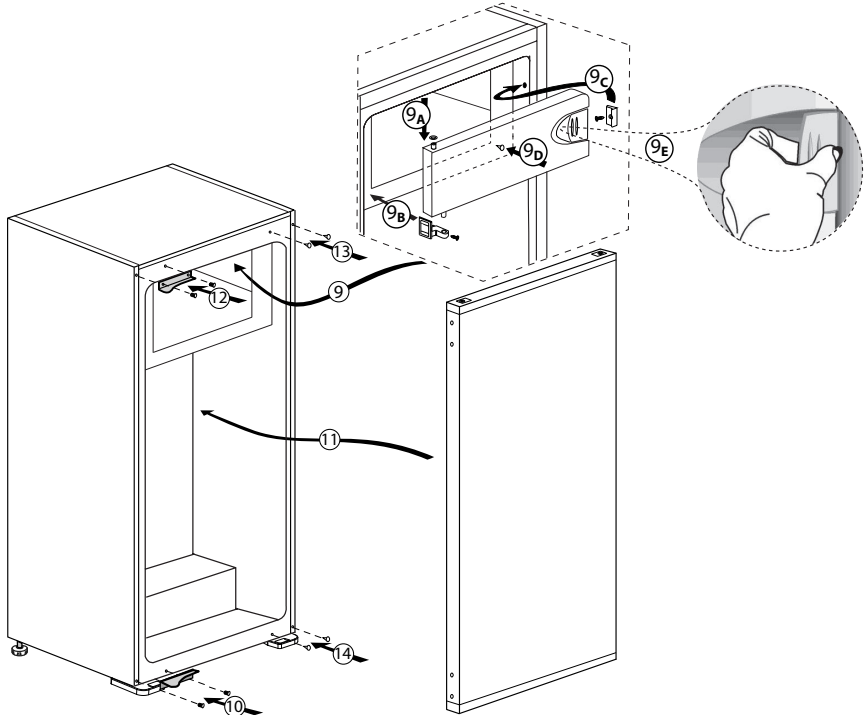
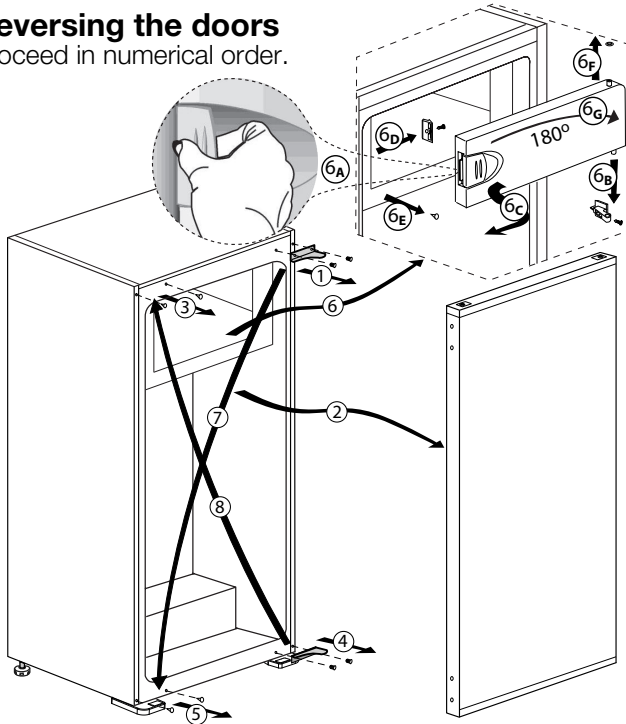
Replacing the interior lamp

To change the Bulb/LED used for illumination of your refrigerator, call your Authorised Service.

The lamp(s) used in this appliance is not suitable for household room illumination. The intended purpose of this lamp is to assist the user to place foodstuffs in the refrigerator/freezer in a safe and comfortable way. The lamps used in this appliance have to withstand extreme physical conditions such as temperatures below -20°C.

Reversing the doors

Proceed in numerical order.

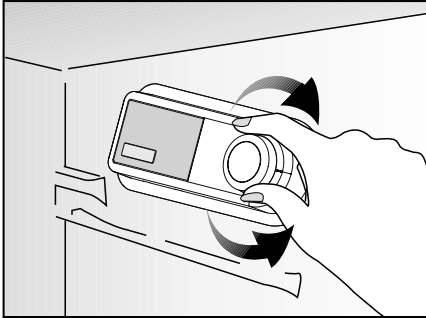


4 Preparation

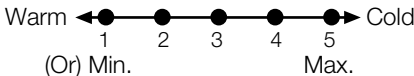
- Your refrigerator should be installed at least 30 cm away from heat sources such as hobs, ovens, central heater and stoves and at least 5 cm away from electrical ovens and should not be located under direct sunlight.
- The ambient temperature of the room where you install your refrigerator should at least be 10°C.
- Operating your refrigerator under cooler conditions than this is not recommended with regard to its efficiency.
- Please make sure that the interior of your refrigerator is cleaned thoroughly.
- When you operate your refrigerator for the first time, please observe the following instructions during the initial six hours.
- The door should not be opened frequently.
- It must be operated empty without any food in it.
- Do not unplug your refrigerator. If a power failure occurs out of your control, please see the warnings in the “**Recommended solutions for the problems**” section.
- Original packaging and foam materials should be kept for future transportations or moving.

5 Using your refrigerator

Thermostat setting button



The operating temperature is regulated by the temperature control.



**1 = Lowest cooling setting
(Warmest setting)**

**5 = Highest cooling setting
(Coldest setting)**

(Or)

**Min. = Lowest cooling setting
(Warmest setting)**

**Max. = Highest cooling setting
(Coldest setting)**

The average temperature inside the fridge should be around +5°C.

Please choose the setting according to the desired temperature.

Please note that there will be different temperatures in the cooling area.

The coldest region is immediately above the vegetable compartment.

The interior temperature also depends on ambient temperature, the frequency with which the door is opened and the amount of foods kept inside.

Frequently opening the door causes the interior temperature to rise.

For this reason, it is recommended to close the door again as soon as possible after use.

The interior temperature of your refrigerator changes for the following reasons:

- Seasonal temperatures.
- Frequent opening of the door and leaving the door open for long periods.
- Food put into the refrigerator without cooling down to the room temperature.
- The location of the refrigerator in the room (e.g. exposing to sunlight).
- You may adjust the varying interior temperature due to such reasons by using the thermostat. Numbers around the thermostat button indicates the cooling degrees.
- If the ambient temperature is higher than 32°C, turn the thermostat button to maximum position.
- If the ambient temperature is lower than 25°C, turn the thermostat button to minimum position.

Cooling

Food storage

The fridge compartment is for the short-term storage of fresh food and drinks.

Freezing

Freezing food

The freezing compartment is marked with ❄️❄️❄️ this symbol.

You can use the appliance for freezing fresh food as well as for storing pre-frozen food.

Please refer to the recommendations given on the packaging of your food.

Storing frozen food

The frozen food compartment is marked with ❄️❄️ symbol.

The frozen food compartment is suitable for the storage of pre-frozen food. The recommendation for storage, as stated on the food packaging, should be observed at all times.

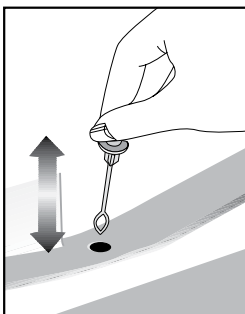
Defrost

A) Fridge compartment

Fridge compartment performs full-automatic defrosting.

Water drops and a frosting up to 7-8 mm can occur on the inner rear wall of the fridge compartment while your refrigerator cools down. Such formation is normal as a result of the cooling system. The frost formation is defrosted by performing automatic defrosting with certain intervals thanks to the automatic defrosting system of the rear wall. User is not required to scrape the frost or remove the water drops. Water resulting from the defrosting passes from the water collection groove and flows into the evaporator through the drain pipe and evaporates here by itself.

Check regularly to see if the drain pipe is clogged or not and clear it with the stick in the hole when necessary.



B) Freezer compartment

Deep freezer compartment does not perform automatic defrosting in order to prevent decaying of the frozen food.

Defrosting is very straightforward and without mess, thanks to a special defrost collection basin. Defrost twice a year or when a frost layer of around 7 (1/4") mm has formed. To start the defrosting procedure, switch off the appliance at the socket outlet and pull out the mains plug.

When you open/shut the door of the low-temperature compartment, pull the closing flap slightly (figure 1).

All food should be wrapped in several layers of newspaper and stored in a cool place (e.g. fridge or larder).

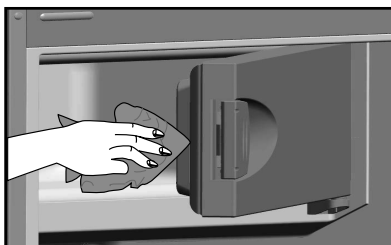
Containers of warm water may be placed carefully in the freezer to speed up the defrosting. Do not use pointed or sharp-edged objects, such as knives or forks to remove the frost. Never use hair dryers, electrical heaters or other such electrical appliances for defrosting.

Sponge out the defrost water collected in the bottom of the freezer compartment. After defrosting, dry the interior thoroughly (figure 2).

Insert the plug into the wall socket and switch on the electricity supply.



(figure 1)



(figure 2)

Stopping your product

If your thermostat is equipped with "0" position:

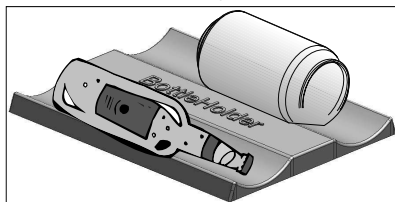
- Your product will stop operating when you turn the thermostat button to "0" (zero) position. Your product will not start unless you turn the thermostat button to position "1" or one of the other positions again.

If your thermostat is equipped with "min" position:

- Unplug your product to stop it.

Bottle holder

This accessory can be used for storing bottles or cans side by side.



6 Maintenance and cleaning

- ⚠ Never use gasoline, benzene or similar substances for cleaning purposes.
- ⚠ We recommend that you unplug the appliance before cleaning.
- ⚠ Never use any sharp abrasive instrument, soap, household cleaner, detergent and wax polish for cleaning.
- ℹ Use lukewarm water to clean the cabinet of your refrigerator and wipe it dry.
- ℹ Use a damp cloth wrung out in a solution of one teaspoon of bicarbonate of soda to one pint of water to clean the interior and wipe it dry.
- ⚠ Make sure that no water enters the lamp housing and other electrical items.
- ⚠ If your refrigerator is not going to be used for a long period of time, unplug the power cable, remove all food, clean it and leave the door ajar.
- ℹ Check door seals regularly to ensure they are clean and free from food particles.
- ⚠ To remove door racks, remove all the contents and then simply push the door rack upwards from the base.
- ⚠ Never use cleaning agents or water that contain chlorine to clean the outer surfaces and chromium coated parts of the product. Chlorine causes corrosion on such metal surfaces.

Protection of plastic surfaces

- ℹ Do not put the liquid oils or oil-cooked meals in your refrigerator in unsealed containers as they damage the plastic surfaces of your refrigerator. In case of spilling or smearing oil on the plastic surfaces, clean and rinse the relevant part of the surface at once with warm water.

7 Recommended solutions for the problems

Please review this list before calling the service. It will save your time and money. This list includes frequent complaints that are not arising from defective workmanship or material usage. Some of the features described here may not exist in your product.

The refrigerator does not operate.

- The plug is not inserted into the socket correctly. >>>Insert the plug into the socket securely.
- The fuse of the socket which your refrigerator is connected to or the main fuse have blown out. >>>Check the fuse.

Condensation on the side wall of the fridge compartment (MULTIZONE, COOL CONTROL and FLEXI ZONE).

- Ambient is very cold. >>>Do not install the refrigerator in places where the temperature falls below 10°C.
- Door has been opened frequently. >>>Do not open and close the door of refrigerator frequently.
- Ambient is very humid. >>>Do not install your refrigerator into highly humid places.
- Food containing liquid is stored in open containers. >>>Do not store food with liquid content in open containers.
- Door of the refrigerator is left ajar. >>>Close the door of the refrigerator.
- Thermostat is set to a very cold level. >>>Set the thermostat to a suitable level.

Compressor is not running.

- Protective thermic of the compressor will blow out during sudden power failures or plug-out plug-ins as the refrigerant pressure in the cooling system of the refrigerator has not been balanced yet. The refrigerator will start running approximately after 6 minutes. Please call the service if the refrigerator does not startup at the end of this period.
- The fridge is in defrost cycle. >>>This is normal for a full-automatically defrosting refrigerator. Defrosting cycle occurs periodically.
- The refrigerator is not plugged into the socket. >>>Make sure that the plug is fit into the socket.
- Temperature settings are not made correctly. >>>Select the suitable temperature value.
- There is a power outage. >>>Refrigerator returns to normal operation when the power restores.

The operation noise increases when the refrigerator is running.

- The operating performance of the refrigerator may change due to the changes in the ambient temperature. It is normal and not a fault.

The refrigerator is running frequently or for a long time.

- New product may be wider than the previous one. Larger refrigerators operate for a longer period of time.
- The room temperature may be high. >>>It is normal that the product operates for longer periods in hot ambient.
- The refrigerator might be plugged in recently or might be loaded with food. >>>When the refrigerator is plugged in or loaded with food recently, it will take longer for it to attain the set temperature. This is normal.
- Large amounts of hot food might be put in the refrigerator recently. >>>Do not put hot food into the refrigerator.
- Doors might be opened frequently or left ajar for a long time. >>>The warm air that has entered into the refrigerator causes the refrigerator to run for longer periods. Do not open the doors frequently.
- Freezer or fridge compartment door might be left ajar. >>>Check if the doors are closed completely.
- The refrigerator is adjusted to a very low temperature. >>>Adjust the refrigerator temperature to a warmer degree and wait until the temperature is achieved.
- Door seal of the fridge or freezer may be soiled, worn out, broken or not properly seated. >>>Clean or replace the seal. Damaged/broken seal causes the refrigerator to run for a longer period of time in order to maintain the current temperature.

Freezer temperature is very low while the fridge temperature is sufficient.

- The freezer temperature is adjusted to a very low value. >>>Adjust the freezer temperature to a warmer degree and check.

Fridge temperature is very low while the freezer temperature is sufficient.

- The fridge temperature is adjusted to a very low value. >>>Adjust the fridge temperature to a warmer degree and check.

Food kept in the fridge compartment drawers is frozen.

- The fridge temperature is adjusted to a very high value. >>>Adjust the fridge temperature to a lower value and check.

<p>Temperature in the fridge or freezer is very high.</p> <ul style="list-style-type: none"> • The fridge temperature is adjusted to a very high value. >>>Fridge compartment temperature setting has an effect on the temperature of the freezer. Change the temperatures of the fridge or freezer and wait until the relevant compartments attain a sufficient temperature. • Doors are opened frequently or left ajar for a long time. >>>Do not open the doors frequently. • Door is ajar. >>>Close the door completely. • The refrigerator is plugged in or loaded with food recently. >>>This is normal. When the refrigerator is plugged in or loaded with food recently, it will take longer for it to attain the set temperature. • Large amounts of hot food might be put in the refrigerator recently. >>>Do not put hot food into the refrigerator.
<p>Vibrations or noise.</p> <ul style="list-style-type: none"> • The floor is not level or stable. >>> If the refrigerator rocks when moved slowly, balance it by adjusting its feet. Also make sure that the floor is strong enough to carry the refrigerator, and level. • The items put onto the refrigerator may cause noise. >>>Remove the items on top of the refrigerator.
<p>There are noises coming from the refrigerator like liquid flowing, spraying, etc.</p> <ul style="list-style-type: none"> • Liquid and gas flows occur in accordance with the operating principles of your refrigerator. It is normal and not a fault.
<p>Whistle comes from the refrigerator.</p> <ul style="list-style-type: none"> • Fans are used in order to cool the refrigerator. It is normal and not a fault.
<p>Condensation on the inner walls of refrigerator.</p> <ul style="list-style-type: none"> • Hot and humid weather increases icing and condensation. It is normal and not a fault. • Doors are opened frequently or left ajar for a long time. >>>Do not open the doors frequently. Close them if they are open. • Door is ajar. >>>Close the door completely.
<p>Humidity occurs on the outside of the refrigerator or between the doors.</p> <ul style="list-style-type: none"> • There might be humidity in the air; this is quite normal in humid weather. When the humidity is less, condensation will disappear.
<p>Bad odour inside the refrigerator.</p> <ul style="list-style-type: none"> • No regular cleaning is performed. >>>Clean the inside of the refrigerator regularly with a sponge, lukewarm water or carbonate dissolved in water. • Some containers or package materials may cause the smell. >>>Use a different container or different brand packaging material. • Food is put into the refrigerator in uncovered containers. >>>Keep the food in closed containers. Microorganisms spreading out from uncovered containers can cause unpleasant odours. • Remove the foods that have expired best before dates and spoiled from the refrigerator.
<p>The door is not closing.</p> <ul style="list-style-type: none"> • Food packages are preventing the door from closing. >>>Replace the packages that are obstructing the door. • The refrigerator is not completely even on the floor. >>>Adjust the feet to balance the refrigerator. • The floor is not level or strong. >>>Make sure that the floor is level and capable to carry the refrigerator.
<p>Crispers are stuck.</p> <ul style="list-style-type: none"> • The food is touching the ceiling of the drawer. >>>Rearrange food in the drawer.

Bitte lesen Sie zuerst diese Anleitung!

Lieber Kunde,

Wir sind sicher, dass Ihnen dieses Produkt, das in modernsten Fertigungsstätten hergestellt und den strengsten Qualitätsprüfungen unterzogen wurde, lange Zeit gute Dienste leisten wird.




Wir empfehlen Ihnen, vor Inbetriebnahme des Gerätes das gesamte Handbuch durchzulesen und es anschließend aufzubewahren.

Diese Anleitung...

- Hilft Ihnen, Ihr Gerät schnell und sicher zu bedienen.
- Lesen Sie die Anleitung, bevor Sie Ihr Gerät aufstellen und bedienen.
- Halten Sie sich an die Anweisungen, beachten Sie insbesondere die Sicherheitshinweise.
- Bewahren Sie die Anleitung an einem leicht zugänglichen Ort auf, damit Sie jederzeit darin nachschlagen können.
- Lesen Sie auch die weiteren Dokumente, die mit Ihrem Produkt geliefert wurden.
- Bitte beachten Sie, dass diese Anleitung eventuell auch für andere Geräte eingesetzt werden kann.

Symbole und ihre Bedeutung

In dieser Anleitung finden Sie die folgenden Symbole:

-  Wichtige Informationen oder nützliche Tipps.
-  Warnung vor Verletzungen oder Sachschäden.
-  Warnung vor elektrischem Strom.



WARNUNG!

Ihr Gerät verwendet ein umweltverträgliches Kältemittel, R600a (nur unter bestimmten Umständen brennbar). Um einen einwandfreien Betrieb Ihres Gerätes sicherzustellen, beachten Sie bitte folgende Vorschriften:

- Die Luftzirkulation um das Gerät darf nicht behindert sein.
- Verwenden Sie außer der vom Hersteller empfohlenen, keine mechanischen Hilfsmittel, um den Abtauprozess zu beschleunigen.
- Der Kältemittelkreislauf darf nicht beschädigt werden.
- Verwenden Sie im Lebensmittelaufbewahrungsbereich Ihres Gerätes keine elektrischen Geräte, es sei denn, sie sind vom Hersteller empfohlen.

ANGABEN

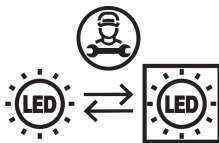


Die Modellinformationen, wie sie in der Produktdatenbank gespeichert sind, können durch Eingabe der folgenden Website und Suche nach Ihrer Modellkennung (*) auf dem Energieetikett erreicht werden.

<https://eprel.ec.europa.eu/>

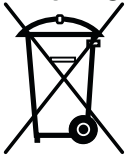
INHALT

1 Ihr Kühlschrank	3	4 Vorbereitung	10
2 Wichtige Sicherheitshinweise	4	5 Nutzung des Kühlschranks	11
Bestimmungsgemäßer Einsatz.....	4	Thermostateinstelltaste.....	11
Allgemeine Hinweise zu Ihrer Sicherheit	4	Kühlen.....	11
Einhaltung der RoHS-Richtlinie:	6	Gefrieren.....	11
Kinder – Sicherheit	6	Abtauen.....	12
HCA-Warnung.....	6	Gerät stoppen	12
Tipps zum Energiesparen	6	Flaschenhalter	12
3 Installation	7	6 Wartung und Reinigung	13
Wenn Sie den Kühlschrank versetzen möchten:.....	7	Schutz der Kunststoffflächen	13
Vor dem Einschalten	7	7 Problemlösung	14
Elektrischer Anschluss	7		
Verpackungsmaterialien entsorgen.....	8		
Aufstellung und Installation	8		
Austausch der Innenbeleuchtung	8		
Türanschlag umkehren.....	9		



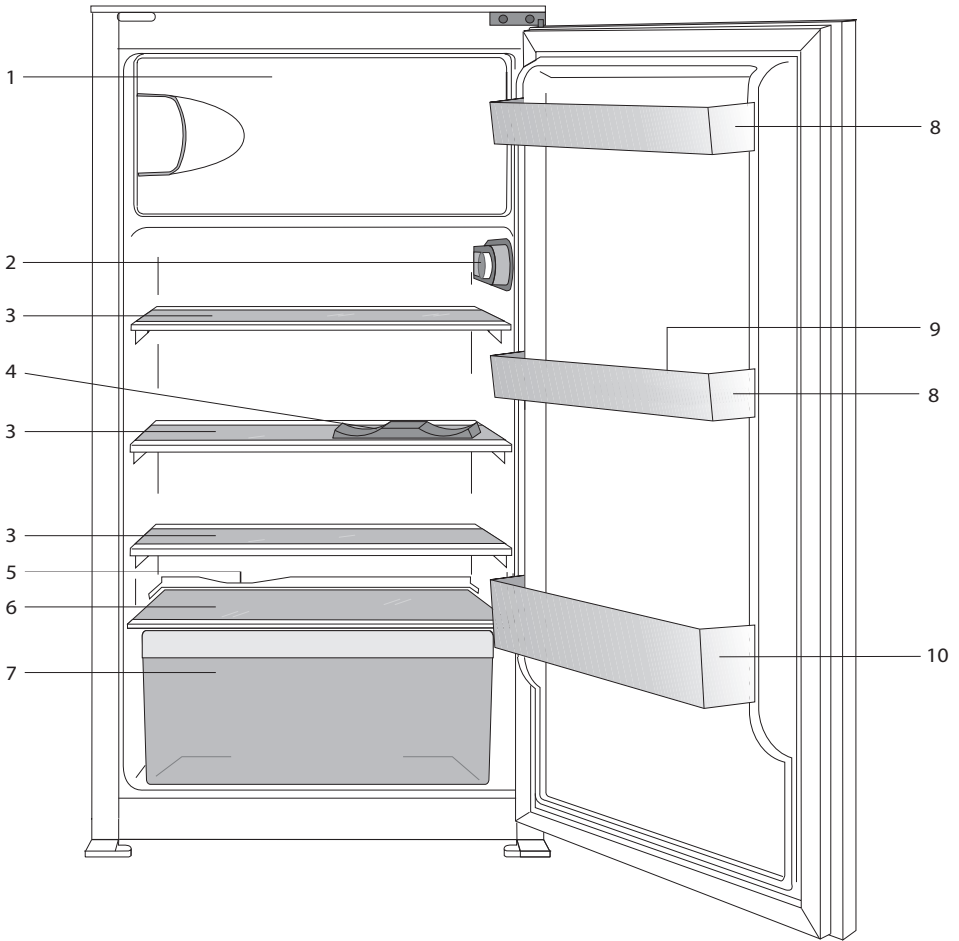
Dieses Produkt ist mit einer Lichtquelle der Energieklasse „G“ ausgestattet. Die Lichtquelle in diesem Produkt darf nur von professionellen Reparaturtechnikern ersetzt werden.

Recycling



Dieses Produkt ist mit dem selektiven Entsorgungssymbol für elektrische und elektronische Altgeräte (WEEE) gekennzeichnet. Das bedeutet, dass dieses Produkt gemäß der europäischen Richtlinie 2012/19/EU gehandhabt werden muss, um mit nur minimalen umweltspezifischen Auswirkungen recycelt oder zerlegt werden zu können. Weitere Informationen erhalten Sie von Ihren regionalen Behörden. Elektronikprodukte, die nicht durch den selektiven Entsorgungsvorgang erfasst werden, stellen durch das Vorhandensein potenziell gefährlicher Substanzen umwelt- und gesundheitsrelevante Risiken dar.

1 Ihr Kühlschrank



- 1. a) Tiefkühlfach und Eisschale
(❄ ❄ ❄ -Modelle)
b) Gefrierfach und Eisschale
(❄ ❄ -Modelle)
- 2. Innenbeleuchtung und Thermostat
- 3. Bewegliche Ablagen
- 4. Flaschenhalter
- 5. Tauwassersammelkanal - Abflusskanal
- 6. Gemüsefachabdeckung
- 7. Gemüsefach
- 8. Verstellbare Türablagen
- 9. Eierbehälter
- 10. Flaschenablagen

ⓘ Abbildungen und Angaben in dieser Anleitung sind schematisch und können etwas von Ihrem Produkt abweichen. Falls Teile nicht zum Lieferumfang des erworbenen Gerätes zählen, gelten sie für andere Modelle.

2 Wichtige Sicherheitshinweise

Bitte lesen Sie die folgenden Hinweise aufmerksam durch. Bei Nichtbeachtung dieser Angaben kann es zu Verletzungen und Sachschäden kommen. In diesem Fall erlöschen auch sämtliche Garantie- und sonstigen Ansprüche.

Originalersatzteile stehen für einen Zeitraum von 10 Jahren ab Kaufdatum zur Verfügung.

Bestimmungsgemäßer Einsatz

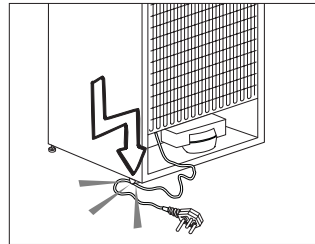
- Dieses Produkt dient dem Einsatz in:
 - Innenräumen und geschlossenen Bereichen, wie z. B. Haushalten;
- Das Gerät sollte nicht im Freien benutzt werden.

Allgemeine Hinweise zu Ihrer Sicherheit

- Wenn Sie das Gerät entsorgen möchten, wenden Sie sich am besten an den autorisierten Kundendienst. Hier erhalten Sie notwendige Informationen und erfahren, welche Stellen für die Entsorgung zuständig sind.
- Bei Problemen und Fragen zum Gerät wenden Sie sich grundsätzlich an den autorisierten Kundendienst. Ziehen Sie keine Dritten zu Rate, versuchen Sie nichts in Eigenregie, ohne den autorisierten Kundendienst davon in Kenntnis zu setzen.
- Bei Geräten mit Tiefkühlbereich: Der Verzehr von Speiseeis und Eiswürfeln unmittelbar nach der Entnahme aus dem Tiefkühlbereich ist nicht ratsam. (Dies kann zu Erfrierungen führen.)
- Bei Geräten mit Tiefkühlbereich: Bewahren Sie Getränke in Flaschen sowie Dosen niemals im Tiefkühlbereich auf. Diese platzen.

- Berühren Sie gefrorene Lebensmittel nicht mit der Hand; sie können festfrieren.
- Trennen Sie Ihren Kühlschrank vor dem Reinigen oder Abtauen vom Stromnetz.
- Verwenden Sie niemals Dampf- oder Sprühreiniger zum Reinigen und Abtauen Ihres Kühlschranks. Die Dämpfe oder Nebel können in Kontakt mit stromführenden Teilen geraten und Kurzschlüsse oder Stromschläge auslösen.
- Missbrauchen Sie niemals Teile Ihres Kühlschranks (z. B. Tür) als Befestigungen oder Kletterhilfen.
- Nutzen Sie keine elektrischen Geräte innerhalb des Kühlschranks.
- Achten Sie darauf, den Kühlkreislauf keinesfalls mit Bohr- oder Schneidwerkzeugen zu beschädigen. Das Kühlmittel kann herauspritzen, wenn die Gaskanäle des Verdunstlers, Rohr- und Schlauchleitungen oder Oberflächenversiegelungen beschädigt werden. Dies kann zu Hautreizungen und Augenverletzungen führen.
- Decken Sie keinerlei Belüftungsöffnungen des Kühlschranks ab.
- Elektrische Geräte dürfen nur von autorisierten Fachkräften repariert werden. Reparaturen durch weniger kompetente Personen können erhebliche Gefährdungen des Anwenders verursachen.
- Sollten Fehler oder Probleme während der Wartung oder Reparaturarbeiten auftreten, so trennen Sie den Kühlschrank von der Stromversorgung, indem Sie die entsprechende Sicherung abschalten oder den Netzstecker ziehen.
- Ziehen Sie niemals am Netzkabel – ziehen Sie direkt am Stecker.

- Lagern Sie hochprozentige alkoholische Getränke gut verschlossen und aufrecht.
- Bewahren Sie niemals Sprühdosen mit brennbaren und explosiven Substanzen im Kühlschrank auf.
- Nutzen Sie keine mechanischen oder anderen Hilfsmittel, um das Gerät abzutauen – es sei denn, solche Hilfsmittel werden ausdrücklich vom Hersteller empfohlen.
- Dieses Produkt darf nicht von Personen (einschließlich Kindern) mit eingeschränkten physischen, sensorischen oder geistigen Fähigkeiten bedient werden, sofern sie nicht durch eine Person, die für ihre Sicherheit verantwortlich ist, in der Bedienung des Produktes angeleitet werden.
- Nehmen Sie einen beschädigten Kühlschrank nicht in Betrieb. Wenden Sie sich bei jeglichen Zweifeln an einen Kundendienstmitarbeiter.
- Die elektrische Sicherheit des Gerätes ist nur dann gewährleistet, wenn das hausinterne Erdungssystem den zutreffenden Normen entspricht.
- Setzen Sie das Gerät keinem Regen, Schnee, direktem Sonnenlicht oder Wind aus; dies kann die elektrische Sicherheit gefährden.
- Wenden Sie sich zur Vermeidung von Gefahren an den autorisierten Kundendienst, falls das Netzkabel beschädigt ist.
- Stecken Sie während der Installation niemals den Netzstecker ein. Andernfalls kann es zu schweren bis tödlichen Verletzungen kommen.
- Dieser Kühlschrank dient nur der Aufbewahrung von Lebensmitteln. Für andere Zwecke sollte er nicht verwendet werden.
- Das Etikett mit den technischen Daten befindet sich an der linken Innenwand des Kühlschranks.
- Schließen Sie Ihren Kühlschrank niemals an energiesparende Systeme an; dies kann den Kühlschrank beschädigen.
- Falls der Kühlschrank über ein blaues Licht verfügt, blicken Sie nicht mit optischen Werkzeugen in das blaue Licht.
- Bei manuell gesteuerten Kühlschränken warten Sie mindestens 5 Minuten, bevor Sie den Kühlschrank nach einem Stromausfall wieder einschalten.
- Falls Sie das Gerät an einen anderen Besitzer weitergeben, vergessen Sie nicht, die Bedienungsanleitung ebenfalls auszuhändigen.
- Achten Sie darauf, dass das Netzkabel beim Transport des Kühlschranks nicht beschädigt wird. Übermäßiges Biegen des Kabels birgt Brandgefahr. Platzieren Sie keine schweren Gegenstände auf dem Netzkabel.



- Berühren Sie den Netzstecker niemals mit feuchten oder gar nassen Händen.
- Schließen Sie den Kühlschrank nicht an lose Steckdosen an.
- Sprühen Sie aus Sicherheitsgründen niemals Wasser auf die Innen- und Außenflächen des Gerätes.
- Sprühen Sie keine Substanzen mit brennbaren Gasen, wie z. B. Propangas, in die Nähe des Kühlschranks; andernfalls bestehen Brand- und Explosionsgefahr.
- Stellen Sie keine mit Wasser gefüllten Gegenstände auf den Kühlschrank; dies birgt Brand- und Stromschlaggefahr.
- Überladen Sie das Gerät nicht mit Lebensmitteln. Wenn das Gerät überladen ist, können beim Öffnen der Kühlschranktür Lebensmittel herausfallen und Verletzungen verursachen.

- Stellen Sie keinesfalls Gegenstände auf den Kühlschrank; sie könnten beim Öffnen oder Schließen der Kühlschranktür herunterfallen.
- Materialien wie beispielsweise Impfstoffe, wärmeempfindliche Arznei, wissenschaftliche Proben usw. sollten nicht im Kühlschrank aufbewahrt werden, da sie bei exakt festgelegten Temperaturen gelagert werden müssen.
- Trennen Sie den Kühlschrank vom Stromnetz, wenn er längere Zeit nicht benutzt wird. Ein mögliches Problem im Netzkabel kann einen Brand auslösen.
- Die Steckerkontakte sollten regelmäßig mit einem trockenen Tuch gereinigt werden; andernfalls besteht Brandgefahr.
- Wenn die höhenverstellbaren Füße nicht sicher auf dem Boden stehen, kann sich der Kühlschrank bewegen. Die angemessene Sicherung der höhenverstellbaren Füße am Boden kann eine Bewegung des Kühlschranks verhindern.
- Halten Sie den Kühlschrank beim Tragen nicht am Türgriff. Andernfalls könnte er abbrechen.
- Wenn Sie Ihr Produkt neben einem anderen Kühl- oder Gefrierschrank aufstellen möchten, sollte der Abstand zwischen beiden Geräten mindestens 8 cm betragen. Andernfalls können die benachbarten Seitenwände feucht werden.

Einhaltung der RoHS-Richtlinie:

- Das von Ihnen gekaufte Gerät entspricht der RoHS-Richtlinie der EU (2011/65/EU). Es enthält keinerlei Materialien, die gemäß der Richtlinie als schädlich oder verboten gelten.

Kinder – Sicherheit

- Bei abschließbaren Türen bewahren Sie den Schlüssel außerhalb der Reichweite von Kindern auf.
- Achten Sie darauf, dass Kinder nicht mit dem Produkt spielen.

HCA-Warnung

Falls das Kühlsystem Ihres Produktes R600a enthält:

Dieses Gas ist leicht entflammbar.

Achten Sie also darauf, Kühlkreislauf und Leitungen während Betrieb und Transport nicht zu beschädigen.

Bei Beschädigungen halten Sie das Produkt von potenziellen Zündquellen (z. B. offenen Flammen) fern und sorgen für eine gute Belüftung des Raumes, in dem das Gerät aufgestellt wurde.

Ignorieren Sie diese Warnung, falls das Kühlsystem Ihres Produktes R134a enthält.

Die Art des im Gerät eingesetzten Gases wird auf dem Typenschild an der linken Innenwand des Kühlschranks angegeben. Entsorgen Sie das Produkt keinesfalls durch Verbrennen.

Tipps zum Energiesparen

- Halten Sie die Kühlschranktüren nur möglichst kurz geöffnet.
- Geben Sie keine warmen Speisen oder Getränke in den Kühlschrank.
- Überladen Sie den Kühlschrank nicht; die Luft muss frei zirkulieren können.
- Stellen Sie den Kühlschrank nicht im direkten Sonnenlicht oder in der Nähe von Wärmequellen wie Öfen, Spülmaschinen oder Heizkörpern auf. Halten Sie den Kühlschrank mindestens 30 cm von Wärmequellen und mindestens 5 cm von elektrischen Öfen entfernt.
- Achten Sie darauf, Ihre Lebensmittel in verschlossenen Behältern aufzubewahren.
- Bei Geräten mit Tiefkühlbereich: Sie können noch mehr Lebensmittel einlagern, wenn Sie die Ablage oder Schublade aus dem Tiefkühlbereich herausnehmen. Der für Ihren Kühlschrank angegebene Energieverbrauch wurde nach dem Entfernen der Ablage oder Schublade und bei maximaler Beladung bestimmt. Ansonsten ist es Ihnen freigestellt, die Ablage oder Schublade zu verwenden.
- Das Auftauen von gefrorenen Lebensmitteln im Kühlbereich ist energiesparend und bewahrt die Qualität der Lebensmittel.

3 Installation

⚠ Der Hersteller haftet nicht, falls die Angaben in dieser Anleitung nicht berücksichtigt werden.

Wenn Sie den Kühlschrank versetzen möchten

1. Ziehen Sie zuvor den Netzstecker. Der Kühlschrank sollte geleert und gesäubert werden, bevor Sie ihn transportieren oder versetzen.
2. Sichern Sie die beweglichen Teile im Inneren (z. B. Ablagen, Zubehör, Gemüsefach etc.) vor dem Verpacken mit Klebeband, schützen Sie solche Teile vor Stößen. Umwickeln Sie die Verpackung mit kräftigem Klebeband oder stabilen Schnüren, beachten Sie die Transporthinweise auf der Verpackung.
3. Originalverpackung und Schaumstoffmaterialien sollten zum zukünftigen Transport des Gerätes aufbewahrt werden.

Vor dem Einschalten

Beachten Sie Folgendes, bevor Sie Ihren Kühlschrank benutzen:

1. Ist der Innenraum des Kühlschranks trocken, kann die Luft frei an der Rückseite zirkulieren?
2. Reinigen Sie das Innere des Kühlschranks wie im Abschnitt „Wartung und Reinigung“ beschrieben.

3. Schließen Sie den Netzstecker des Kühlschranks an eine Steckdose an. Beim Öffnen der Tür leuchtet die Innenbeleuchtung auf.
4. Beim Anspringen des Kompressors sind Geräusche zu hören. Die Flüssigkeiten und Gase im Kühlsystem können auch leichte Geräusche erzeugen, wenn der Kompressor nicht läuft. Dies ist völlig normal.
5. Die Vorderkanten des Kühlgerätes können sich warm anfühlen. Dies ist normal. Diese Bereiche wärmen sich etwas auf, damit sich kein Kondenswasser bildet.

Elektrischer Anschluss

Schließen Sie das Gerät an eine geerdete (Schuko-) Steckdose an. Diese Steckdose muss mit einer passenden Sicherung abgesichert werden.

Wichtig:

- Der Anschluss muss gemäß lokaler Vorschriften erfolgen.
- Der Netzstecker muss nach der Installation frei zugänglich bleiben.
- Die elektrische Sicherheit des Gerätes ist nur dann gewährleistet, wenn das hausinterne Erdungssystem den zutreffenden Normen entspricht.
- Die auf dem Typenschild an der linken Innenwand des Gerätes angegebene Spannung muss mit Ihrer Netzspannung übereinstimmen.
- **Zum Anschluss dürfen keine Verlängerungskabel oder Mehrfachsteckdosen verwendet werden.**

- ⚠ Ein beschädigtes Netzkabel muss unverzüglich durch einen qualifizierten Elektriker ausgetauscht werden.
- ⚠ Das Gerät darf vor Abschluss der Reparaturen nicht mehr betrieben werden! Es besteht Stromschlaggefahr!

Verpackungsmaterialien entsorgen

Das Verpackungsmaterial kann eine Gefahr für Kinder darstellen. Halten Sie Verpackungsmaterialien von Kindern fern oder entsorgen Sie das Verpackungsmaterial gemäß gültigen Entsorgungsbestimmungen. Entsorgen Sie das Verpackungsmaterial über geeignete Sammelstellen (Ihre Stadtverwaltung informiert Sie gerne), nicht über den regulären Hausmüll.

Die Verpackung Ihres Gerätes wurde aus recyclingfähigen Materialien hergestellt.

Aufstellung und Installation

⚠ Falls die Tür des Raumes, in dem der Kühlschrank aufgestellt werden soll, nicht breit genug ist, wenden Sie sich an den autorisierten Kundendienst, lassen die Kühlschranktüren demontieren und befördern das Gerät seitlich durch die Tür.

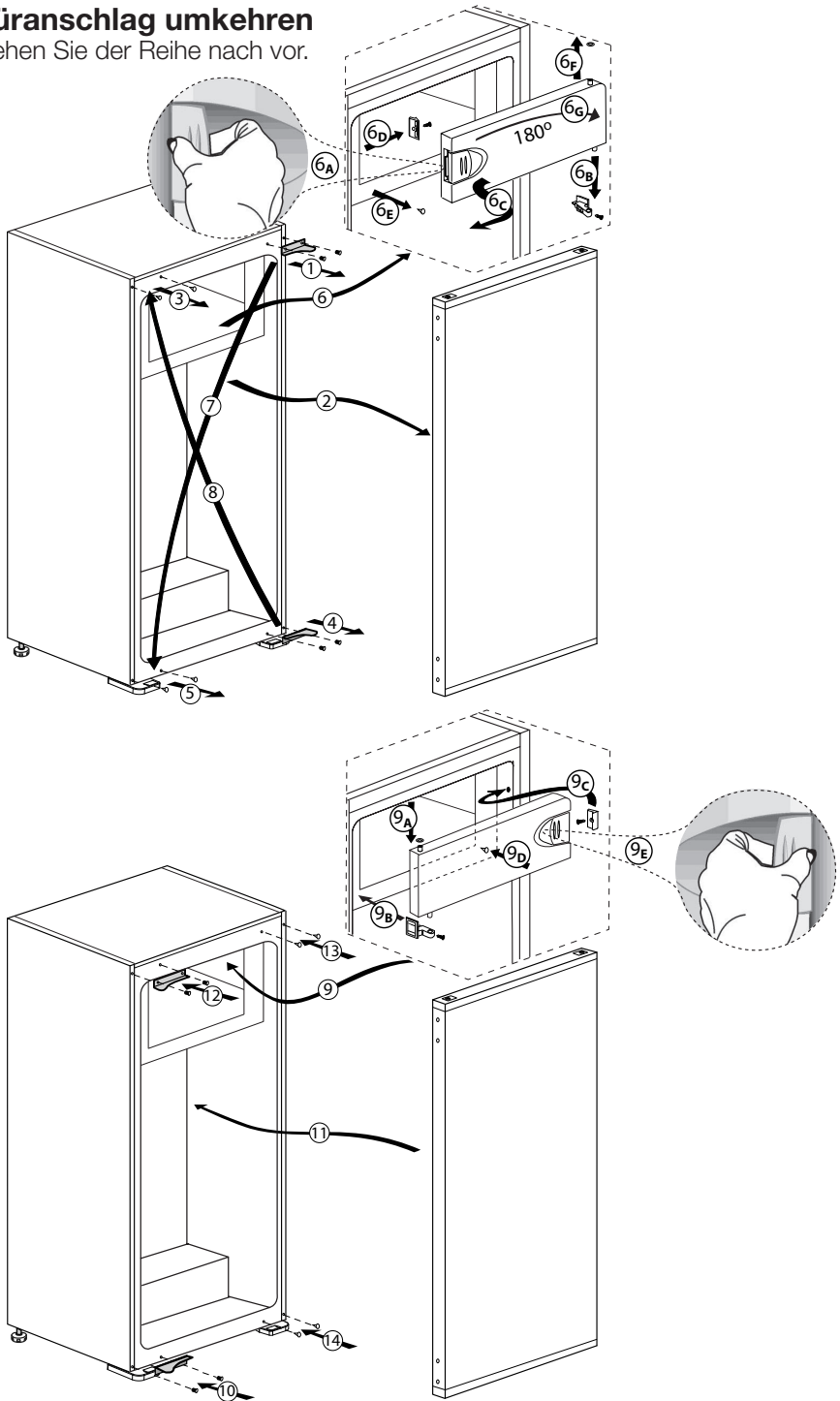
1. Stellen Sie Ihren Kühlschrank an einer gut erreichbaren Stelle auf.
2. Platzieren Sie den Kühlschrank nicht in der Nähe von Wärmequellen oder dort, wo er Feuchtigkeit oder direktem Sonnenlicht ausgesetzt ist.
3. Damit das Gerät richtig arbeiten kann, müssen Sie ausreichend Platz um das Gerät herum freilassen, damit eine ordentliche Belüftung gewährleistet ist. Wenn Sie den Kühlschrank in einer Nische aufstellen, müssen Sie einen Abstand von mindestens 5 cm zur Decke und 5 cm zu den Wänden einhalten. Stellen Sie das Gerät nicht auf Materialien wie Teppichen oder Teppichböden auf.
4. Stellen Sie Ihren Kühlschrank auf einem ebenen Untergrund auf, damit er nicht wackelt.
5. Stellen Sie den Kühlschrank nicht an Stellen auf, an denen Temperaturen von weniger als 10°C herrschen.

Austausch der Innenbeleuchtung

Die Innenbeleuchtung Ihres Kühlschranks sollte ausschließlich vom autorisierten Kundendienst ausgetauscht werden. Die Glühbirnen für dieses Haushaltsgerät sind für Beleuchtungszwecke nicht geeignet. Die beabsichtigte Aufgabe dieser Lampe ist es den Benutzer zu ermöglichen die Platzierung der Lebensmittel in den Kühlschrank / Eiskühltruhe sicher und bequem vorzunehmen. Die in diesem Gerät verwendeten Lampen müssen extremen physikalischen Bedingungen, wie z. B. Temperaturen von -20°C, standhalten.

Türanschlag umkehren

Gehen Sie der Reihe nach vor.

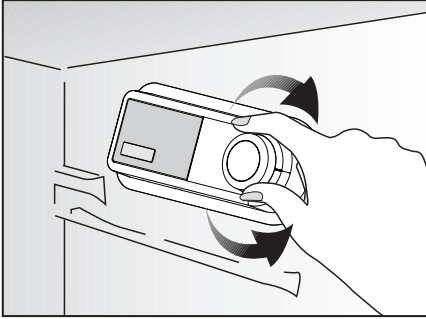


4 Vorbereitung

- i** Ihr Kühlschrank sollte mindestens 30 cm von Hitzequellen wie Kochstellen, Öfen, Heizungen, Herden und ähnlichen Einrichtungen aufgestellt werden. Halten Sie mindestens 5 cm Abstand zu Elektroöfen ein, vermeiden Sie die Aufstellung im direkten Sonnenlicht.
- i** Die Zimmertemperatur des Raumes, in dem der Kühlschrank aufgestellt wird, sollte mindestens 10°C betragen. Im Hinblick auf den Wirkungsgrad ist der Betrieb des Kühlschranks bei geringerer Umgebungstemperatur nicht ratsam.
- i** Sorgen Sie dafür, dass das Innere Ihres Kühlschranks gründlich gereinigt wird.
- i** Falls zwei Kühlschränke nebeneinander aufgestellt werden sollen, achten Sie darauf, dass sie mindestens 2 cm voneinander entfernt platziert werden.
- i** Wenn Sie den Kühlschrank zum ersten Mal in Betrieb nehmen, halten Sie sich bitte an die folgenden Anweisungen für die ersten sechs Betriebsstunden.
 - Die Kühlschranktür sollte nicht zu häufig geöffnet werden.
 - Der Kühlschrank muss zunächst vollständig leer arbeiten.
 - Ziehen Sie nicht den Netzstecker. Falls der Strom ausfallen sollte, beachten Sie die Warnhinweise im Abschnitt „Problemlösung“.
- i** Originalverpackung und Schaumstoffmaterialien sollten zum zukünftigen Transport des Gerätes aufbewahrt werden.

5 Nutzung des Kühlschranks

Thermostateinstelltaste



Die Betriebstemperatur wird über die Temperaturregelung reguliert.



1 = Schwächste Kühlung (wärmste Einstellung)

5 = Stärkste Kühlung (kälteste Einstellung)

(Oder)

Min. = Schwächste Kühlung
(wärmste Einstellung)

Max. = Stärkste Kühlung
(kälteste Einstellung)

Die Durchschnittstemperatur im Inneren des Kühlschranks sollte bei etwa +5°C liegen. Bitte wählen Sie die der gewünschten Temperatur entsprechende Einstellung.

Bitte beachten Sie, dass im Kühlbereich unterschiedliche Temperaturen herrschen. Der kälteste Bereich befindet sich unmittelbar über dem Gemüsefach.

Die Innentemperatur hängt auch von der Umgebungstemperatur ab, außerdem davon, wie oft die Tür geöffnet wird und wie viel Lebensmittel im Inneren gelagert werden. Beim häufigen Öffnen der Tür steigt die Innentemperatur an. Aus diesem Grund empfehlen wir, die Tür möglichst schnell wieder zu schließen.

Die Innentemperatur Ihres Kühlschranks hängt teilweise von folgenden Einflüssen ab:

- Umgebungstemperatur.
- Häufigkeit der Türöffnungen, Offenstehen der Tür über längere Zeit.
- Einlagern von Lebensmitteln, ohne diese zuvor auf Raumtemperatur abkühlen zu lassen.
- Platzierung des Kühlschranks innerhalb des Raumes (z. B. im direkten Sonnenlicht).
- Zum Anpassen der Innentemperatur an solche Einflüsse benutzen Sie das Thermostat. Die Zahlen rund um die Thermostateinstelltaste zeigen die Kühlungsleistung an.
- Falls die Umgebungstemperatur mehr als 32°C beträgt, wählen Sie die höchstmögliche Thermostateinstellung.
- Sofern die Umgebungstemperatur weniger als 25°C beträgt, wählen Sie die geringste Thermostateinstellung.

Kühlen

Lagern von Lebensmitteln

Der Kühlbereich ist für die kurzfristige Lagerung von frischen Lebensmitteln und Getränken vorgesehen.

Gefrieren

Einfrieren von Lebensmitteln

Der Gefrierbereich ist mit dem Symbol **✳️ ***** gekennzeichnet.

In Ihrem Gerät können Sie frische Nahrungsmittel einfrieren und auch bereits gefrorene Lebensmittel lagern.

Bitte beachten Sie dazu die Empfehlungen auf der Verpackung der Lebensmittel.

Lagerung von Tiefkühlkost

Der Tiefkühlbereich ist mit dem Symbol **✳️ ❄️** gekennzeichnet.

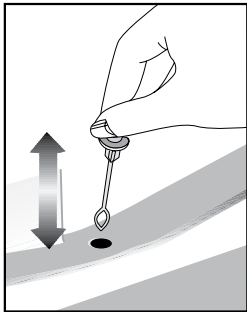
Im Tiefkühlbereich können Sie vorgefrorene Lebensmittel lagern. Die Lagerungsempfehlungen auf der Lebensmittelverpackung sollten immer eingehalten werden.

Abtauen

A) Kühlbereich

Der Kühlbereich taut vollautomatisch ab. Im Betrieb können sich Wassertropfen und eine 7 – 8 mm starke Eisschicht an der Innenwand des Kühlbereiches absetzen. Dies ist vollkommen normal und ein Nebeneffekt des Kühlungs-systems. Dank des automatischen Abtausystems an der Rückwand wird das Eis in bestimmten Abständen automatisch abgetaut. Weder Eis noch Wassertropfen müssen manuell entfernt werden. Beim Abtauen läuft das Tauwasser in die Ablaufrinne und fließt anschließend zum Verdampfer - hier verdunstet das Wasser automatisch.

Überzeugen Sie sich regelmäßig davon, dass der Ablauf nicht verstopft ist; beseitigen Sie eventuelle Verstopfungen mit dem Stäbchen.



B) Tiefkühlbereich

Der Tiefkühlbereich wird nicht automatisch abgetaut, da es ansonsten schnell zum Verderben gefrorener Lebensmittel kommen könnte. Dank einer speziellen Tauwasser Sammelschale ist das Abtauen einfach und nicht mit Verunreinigungen verbunden. Tauen Sie zweimal jährlich ab, oder wenn die Eisschicht auf etwa 7 mm angewachsen ist. Um den Abtauprozess zu starten, schalten Sie das Gerät am Steckdosenschalter aus und ziehen den Stecker aus der Steckdose.

Ziehen Sie beim Öffnen/Schließen des faches etwas an der Schließklappe (Abb. 1).

Sämtliche Lebensmittel sollten in mehrere Lagen Papier eingewickelt und an einem kalten Ort (z. B. Kühlschrank oder Speisekammer) gelagert werden. Um den Abtauvorgang zu beschleunigen, können Sie Schüsseln mit warmem Wasser in das Gerät stellen.

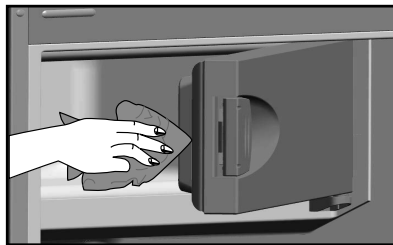
Verwenden Sie keine spitzen oder scharfen Gegenstände (wie Messer oder Gabeln) zum Entfernen der Eisschicht.

Verwenden Sie niemals Haartrockner, elektrische Heizgeräte oder ähnliches zum Beschleunigen des Abtauvorgangs.

Wischen Sie das Tauwasser, welches sich am Boden des Tiefkühlbereiches ansammelt, mit einem Schwamm auf. Trocknen Sie nach Beendigung des Abtauens die Innenseiten gut ab (Abb. 2). Stecken Sie den Netzstecker wieder in die Steckdose, schalten Sie die Stromzufuhr wieder ein.



(Abb. 1)



(Abb. 2)

Gerät stoppen

Bei Thermostaten mit 0-Position:

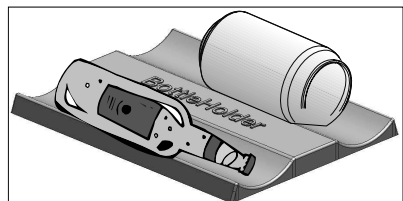
- Ihr Gerät stoppt, wenn Sie den Thermostatknopf in die 0-Position drehen. Das Gerät läuft erst dann wieder an, wenn Sie den Thermostatknopf wieder auf 1 oder eine höhere Position einstellen.

Bei Thermostaten mit „min“-Position:

- Bitte ziehen Sie zum Abschalten den Netzstecker.

Flaschenhalter

Dieses Zubehörteil kann verwendet werden von Flaschen oder Dosen nebeneinander aufnehmen.



6 **Wartung und Reinigung**

- ⚠ Verwenden Sie zu Reinigungszwecken niemals Benzin oder ähnliche Substanzen.
- ⚠ Wir empfehlen, vor dem Reinigen den Netzstecker zu ziehen.
- ℹ Verwenden Sie zur Reinigung niemals scharfe Gegenstände, Seife, Haushaltsreiniger, Waschmittel oder Wachspolituren.
- ℹ Reinigen Sie das Gehäuse des Gerätes mit lauwarmem Wasser, wischen Sie die Flächen danach trocken.
- ⚠ Zur Reinigung des Innenraums verwenden Sie ein feuchtes Tuch, das Sie in eine Lösung aus 1 Teelöffel Natron und einem halben Liter Wasser getaucht und ausgewrungen haben. Nach dem Reinigen wischen Sie den Innenraum trocken.
- ⚠ Achten Sie darauf, dass kein Wasser in das Lampengehäuse oder andere elektrische Komponenten eindringt.
- ⚠ Wenn Ihr Kühlgerät längere Zeit nicht benutzt wird, ziehen Sie den Netzstecker, nehmen alle Lebensmittel heraus, reinigen das Gerät und lassen die Türe geöffnet.
- ℹ Kontrollieren Sie die Türdichtungen regelmäßig, um sicherzustellen, dass diese sauber und frei von Speiseresten sind.
- ℹ Zum Entfernen einer Türablage räumen Sie sämtliche Gegenständen aus der Ablage und schieben diese dann nach oben heraus.

- ℹ Verwenden Sie zur Reinigung der Außenflächen und Chrombeschichteten Produktteile niemals Reinigungsmittel oder Wasser, die/das Chlor enthält. Chlor lässt Metalloberflächen korrodieren.

Schutz der Kunststoffflächen

- ℹ Geben Sie keine Öle oder stark fetthaltige Speisen offen in Ihren Kühlschrank / Gefrierschrank – dadurch können die Kunststoffflächen angegriffen werden. Sollten die Plastikoberflächen einmal mit Öl in Berührung kommen, so reinigen Sie die entsprechend Stellen umgehend mit warmem Wasser.

7 Problemlösung

Bitte arbeiten Sie diese Liste durch, bevor Sie den Kundendienst anrufen. Das kann Ihnen Zeit und Geld sparen. In der Liste finden Sie häufiger auftretende Probleme, die nicht auf Verarbeitungs- oder Materialfehler zurückzuführen sind. Nicht alle hier beschriebenen Funktionen sind bei jedem Modell verfügbar.

Der Kühlschrank arbeitet nicht.

- Ist der Kühlschrank richtig angeschlossen? Stecken Sie den Netzstecker in die Steckdose.
- Ist die entsprechende Haussicherung herausgesprungen oder durchgebrannt? Überprüfen Sie die Sicherung.

Kondensation an den Seitenwänden des Kühlbereiches. (Multizone, Kühlkontrolle und FlexiZone).

- Sehr geringe Umgebungstemperaturen. Häufiges Öffnen und Schließen der Tür. Sehr feuchte Umgebung. Offene Lagerung von feuchten Lebensmitteln. Tür nicht richtig geschlossen. Kühlere Thermostateinstellung wählen.
- Türen kürzer geöffnet halten oder seltener öffnen.
- Offene Behälter abdecken oder mit einem geeigneten Material einwickeln.
- Kondensation mit einem trockenen Tuch entfernen und überprüfen, ob diese erneut auftritt.

Der Kompressor läuft nicht.

- Eine Schutzschaltung stoppt den Kompressor bei kurzzeitigen Unterbrechungen der Stromversorgung und wenn das Gerät zu oft und schnell ein- und ausgeschaltet wird, da der Druck des Kühlmittels eine Weile lang ausgeglichen werden muss. Ihr Kühlschrank beginnt nach etwa sechs Minuten wieder zu arbeiten. Bitte wenden Sie sich an den Kundendienst, falls Ihr Kühlschrank nach Ablauf dieser Zeit nicht wieder zu arbeiten beginnt.
- Der Kühlschrank taut ab. Dies ist bei einem vollautomatisch abtauenden Kühlschrank völlig normal. Das Gerät taut von Zeit zu Zeit ab.
- Der Netzstecker ist nicht eingesteckt. Überprüfen Sie, ob das Gerät richtig angeschlossen ist.
- Stimmen die Temperatureinstellungen?
- Eventuell ist der Strom ausgefallen.

Der Kühlschrank arbeitet sehr intensiv oder über eine sehr lange Zeit.

- Ihr neues Gerät ist vielleicht etwas breiter als sein Vorgänger. Dies ist völlig normal. Große Kühlgeräte arbeiten oft längere Zeit.
- Die Umgebungstemperatur ist eventuell sehr hoch. Dies ist völlig normal.
- Das Kühlgerät wurde möglicherweise erst vor kurzem in Betrieb genommen oder mit Lebensmitteln gefüllt. Es kann einige Stunden länger dauern, bis der Kühlschrank seine Arbeitstemperatur erreicht hat.
- Kurz zuvor wurden größere Mengen warmer Speisen im Kühlschrank eingelagert. Heiße Speisen führen dazu, dass der Kühlschrank etwas länger arbeiten muss, bis die geeignete Temperatur zur sicheren Lagerung erreicht ist.
- Türen wurden häufig geöffnet oder längere Zeit nicht richtig geschlossen. Der Kühlschrank muss länger arbeiten, weil warme Luft in den Innenraum eingedrungen ist. Öffnen Sie die Türen möglichst selten.
- Die Tür des Kühl- oder Tiefkühlbereichs war nur angelehnt. Vergewissern Sie sich, dass die Türen richtig geschlossen wurden.
- Die Kühlschranktemperatur ist sehr niedrig eingestellt. Stellen Sie die Kühlschranktemperatur höher ein und warten Sie, bis die gewünschte Temperatur erreicht ist.
- Die Türdichtungen von Kühl- oder Gefrierbereich sind verschmutzt, verschlissen, beschädigt oder sitzen nicht richtig. Reinigen oder ersetzen Sie die Dichtung. Beschädigte oder defekte Dichtungen führen dazu, dass der Kühlschrank länger arbeiten muss, um die Temperatur halten zu können.

Die Temperatur im Tiefkühlbereich ist sehr niedrig, während die Temperatur im Kühlbereich normal ist.

- Die Tiefkühltemperatur ist sehr niedrig eingestellt. Stellen Sie die Gefrierfachtemperatur wärmer ein und prüfen Sie.

Die Temperatur im Kühlbereich ist sehr niedrig, während die Temperatur im Tiefkühlbereich normal ist.

- Die Kühltemperatur ist eventuell sehr niedrig eingestellt. Stellen Sie die Kühlbereichtemperatur wärmer ein und prüfen Sie.

Im Kühlbereich gelagerte Lebensmittel frieren ein.

- Die Kühltemperatur ist eventuell sehr niedrig eingestellt. Stellen Sie die Kühlbereichtemperatur wärmer ein und prüfen Sie.

Die Temperatur im Kühl- oder Tiefkühlbereich ist sehr hoch.
<ul style="list-style-type: none"> • Die Temperatur des Kühlbereichs ist eventuell sehr hoch eingestellt. Die Einstellung des Kühlbereichs beeinflusst die Temperatur im Tiefkühlbereich. Stellen Sie den Kühl- oder Tiefkühlbereich auf die gewünschte Temperatur ein. • Türen wurden häufig geöffnet oder längere Zeit nicht richtig geschlossen; weniger häufig öffnen. • Die Tür wurde eventuell nicht richtig geschlossen; Tür richtig schließen. • Kurz zuvor wurden größere Mengen warmer Speisen im Kühlschrank eingelagert. Warten Sie, bis der Kühl- oder Tiefkühlbereich die gewünschte Temperatur erreicht. • Der Kühlschrank war kurz zuvor von der Stromversorgung getrennt. Ihr Kühlschrank braucht einige Zeit, um sich auf die gewünschte Temperatur abzukühlen.
Das Betriebsgeräusch nimmt zu, wenn der Kühlschrank arbeitet.
<ul style="list-style-type: none"> • Das Leistungsverhalten des Kühlgerätes kann sich je nach Umgebungstemperatur ändern. Dies ist völlig normal und keine Fehlfunktion.
Vibrationen oder Betriebsgeräusche.
<ul style="list-style-type: none"> • Der Boden ist nicht eben oder nicht fest. Der Kühlschrank wackelt, wenn er etwas bewegt wird. Achten Sie darauf, dass der Boden eben ist und das Gewicht des Kühlschranks problemlos tragen kann. • Das Geräusch kann durch auf dem Kühlschrank abgestellte Gegenstände entstehen. Nehmen Sie abgestellte Gegenstände vom Kühlschrank herunter.
Fließ- oder Spritzgeräusche sind zu hören.
<ul style="list-style-type: none"> • Aus technischen Gründen bewegen sich Flüssigkeiten und Gase innerhalb des Gerätes. Dies ist völlig normal und keine Fehlfunktion.
Windähnliche Geräusche sind zu hören.
<ul style="list-style-type: none"> • Zum gleichmäßigen Kühlen werden Ventilatoren eingesetzt. Dies ist völlig normal und keine Fehlfunktion.
Kondensation an den Kühlschrankinnenflächen.
<ul style="list-style-type: none"> • Bei heißen und feuchten Wetterlagen tritt verstärkt Eisbildung und Kondensation auf. Dies ist völlig normal und keine Fehlfunktion. • Die Türen wurden eventuell nicht richtig geschlossen; Türen komplett schließen. • Türen wurden häufig geöffnet oder längere Zeit nicht richtig geschlossen; weniger häufig öffnen.
Feuchtigkeit sammelt sich an der Außenseite des Kühlschranks oder an den Türen.
<ul style="list-style-type: none"> • Eventuell herrscht hohe Luftfeuchtigkeit; dies ist je nach Wetterlage völlig normal. Die Kondensation verschwindet, sobald die Feuchtigkeit abnimmt.
Unangenehmer Geruch im Kühlschrankinnenraum.
<ul style="list-style-type: none"> • Das Innere des Kühlschranks muss gereinigt werden. Reinigen Sie das Innere des Kühlschranks mit einem Schwamm, den Sie mit lauwarmem oder kohlenensäurehaltigem Wasser angefeuchtet haben. • Bestimmte Behälter oder Verpackungsmaterialien verursachen den Geruch. Verwenden Sie andere Behälter oder Verpackungsmaterial einer anderen Marke.
Die Tür wurde nicht richtig geschlossen.
<ul style="list-style-type: none"> • Lebensmittelpackungen verhindern eventuell das Schließen der Tür. Entfernen Sie die Verpackungen, welche die Tür blockieren. • Der Kühlschrank steht nicht mit sämtlichen Füßen fest auf dem Boden und schaukelt bei kleinen Bewegungen. Stellen Sie die Höheneinstellschrauben ein. • Der Boden ist nicht eben oder nicht stabil genug. Achten Sie darauf, dass der Boden eben ist und das Gewicht des Kühlschranks problemlos tragen kann.
Das Gemüsefach klemmt.
<ul style="list-style-type: none"> • Die Lebensmittel berühren eventuell den oberen Teil der Schublade. Ordnen Sie die Lebensmittel in der Schublade anders an.

Veillez d'abord lire la notice d'utilisation !

Chère cliente, cher client,

Nous espérons que votre produit, qui a été fabriqué dans des usines modernes et vérifié au terme des procédures de contrôle de qualité les plus méticuleuses, vous rendra satisfaction.




Pour cette raison, nous vous conseillons de lire attentivement tout le manuel d'utilisation de votre produit avant de vous en servir, et de le conserver ensuite pour une utilisation ultérieure.

Le présent manuel

- Vous aidera à utiliser votre produit avec rapidité et sécurité.
- Lisez le manuel avant d'installer et de faire fonctionner votre produit.
- Respectez les instructions, notamment celles relatives à la sécurité.
- Conservez ce manuel dans un endroit facilement accessible car vous pouvez en avoir besoin ultérieurement.
- En plus, lisez également les autres documents fournis avec votre produit.
- Veuillez noter que ce manuel peut également être valide pour d'autres modèles.

Symboles et descriptions

Vous retrouverez les symboles suivants dans le présent manuel:

-  Informations importantes ou astuces.
-  Avertissement relatif aux conditions dangereuses pour la vie et la propriété.
-  Avertissement relatif à la tension électrique.



ATTENTION!

Pour assurer un fonctionnement normal de votre appareil qui utilise un agent frigorifique écologique, R600a (inflammable seulement sous certaines conditions) vous devez respecter les règles suivantes:

- N'empêchez pas la libre circulation de l'air autour de l'appareil.
- N'utilisez pas des dispositifs mécaniques pour accélérer le dégivrage, autres que ceux recommandés par le fabricant.
- Ne détruisez pas le circuit frigorifique.
- N'utilisez pas des appareils électriques à l'intérieur du compartiment pour conserver les aliments, hormis celles qui sont éventuellement recommandés par le fabricant.

INFORMATIONS

	ENERGY 	
<small>SUPPLIER'S NAME</small>	<small>MODEL IDENTIFIER</small> → (*)	
A	A	

Vous pouvez accéder aux informations relatives au modèle telles que sauvegardées dans la base de données des produits en entrant le site internet suivant et en recherchant l'identifiant de votre modèle (*) qui se trouve sur la vignette énergie

<https://eprel.ec.europa.eu/>

TABLE DES MATIÈRES

1 Votre réfrigérateur **3** 4 Préparation **10**

2 Précautions de sécurité importantes **4** 5 Utilisation du réfrigérateur **11**

Utilisation préconisée.....	4
Sécurité générale.....	4
Conformité avec la directive LdSD:	6
Sécurité enfants.....	6
Avertissement sur l'usage des fluides frigorigènes	6
Mesures d'économie d'énergie.....	6

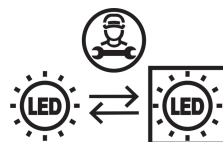
Bouton de réglage du thermostat	11
Réfrigération	11
Congélation	11
Décongélation	12
Eteindre le produit	12
Porte-bouteille	12

3 Installation **7** 6 Entretien et nettoyage **13**

Éléments à prendre en considération lors du déménagement de votre réfrigérateur	7
Avant de mettre votre réfrigérateur en marche	7
Branchement électrique.....	7
Mise au rebut de l'emballage	8
Mise au rebut de votre ancien réfrigérateur	8
Disposition et Installation	8
Remplacement de l'ampoule intérieure	8
Réversibilité des portes.....	9

Protection des surfaces en plastique	13
--	----

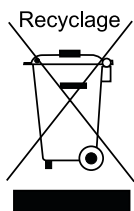
7 Dépannage **14**



Cet appareil est doté d'une source d'éclairage de classe énergétique "G". Seuls des réparateurs qualifiés sont autorisés à procéder au remplacement de la source d'éclairage de cet appareil.

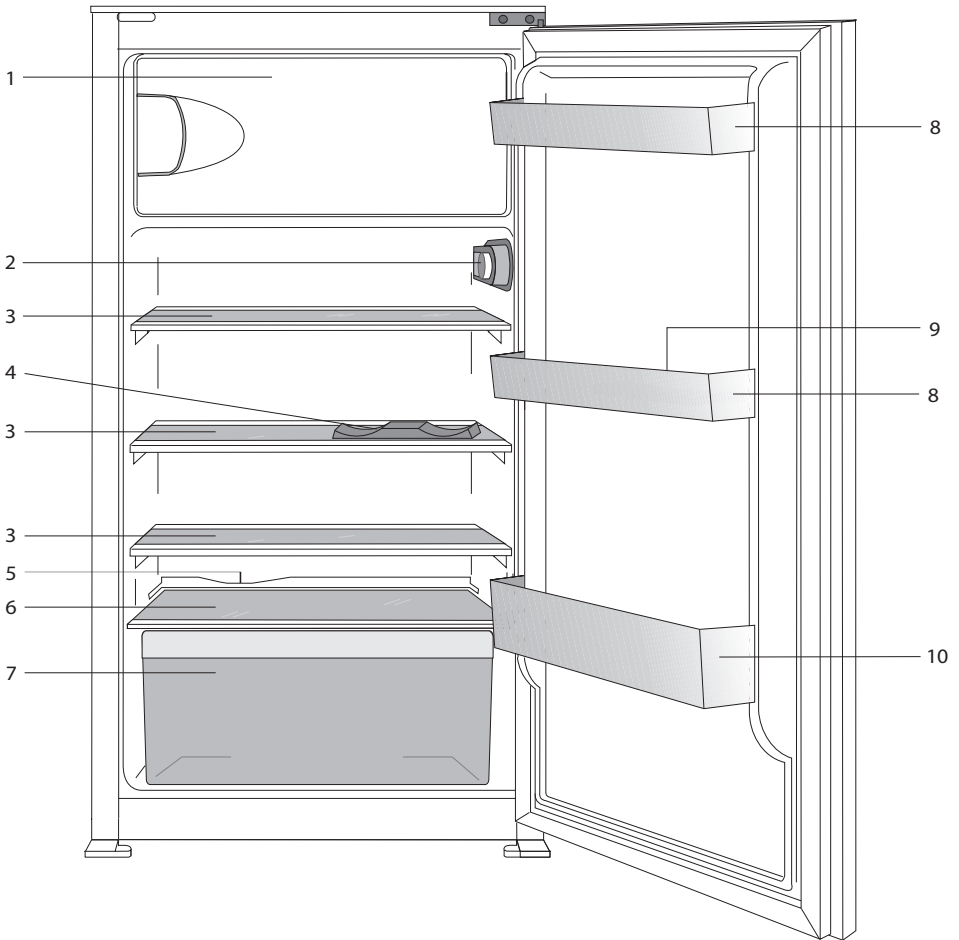


Points de collecte sur www.quefairede mesdechets.fr
Privilégiez la réparation ou le don de votre appareil !



Recyclage
Ce produit est marqué du symbole du tri sélectif, relatif aux déchets d'équipements électriques et électroniques. Cela signifie que ce produit doit être pris en charge par un système de collecte sélectif conformément à la directive européenne 2012/19/EU, afin de pouvoir être recyclé ou démantelé dans le but de réduire tout impact sur l'environnement. Attention les produits électroniques n'ayant pas fait l'objet d'un tri sélectif sont potentiellement dangereux pour l'environnement et la santé humaine en raison de la présence potentielle de substances dangereuses.

1 Votre réfrigérateur



- 1. a.) Compartiment de congélation & bac à glaçons (pour les modèles **✱ ✱ ✱ ✱**)
b.) Compartiment pour aliments congelés & bac à glaçons (pour les modèles **✱ ✱**)
- 2. Ampoule et boîtier de thermostat
- 3. Clayettes en verre
- 4. Porte-bouteille
- 5. Voie de récupération de l'eau de dégivrage - tube d'écoulement
- 6. Couverture du bac à légumes
- 7. Bac à légumes
- 8. Balconnets réglables
- 9. Casier à œufs
- 10. Balconnet range-bouteilles

i Les illustrations présentées dans cette notice d'utilisation sont schématiques et peuvent ne pas correspondre exactement à votre produit. Si des pièces présentées ne sont pas comprises dans le produit que vous avez acheté, elles sont valables pour d'autres modèles.

2 Précautions de sécurité importantes

Veillez examiner les informations suivantes: Le non respect de ces consignes peut entraîner des blessures ou dommages matériels. Sinon, tout engagement lié à la garantie et à la fiabilité du produit devient invalide.

Les pièces détachées d'origine sont disponibles pendant 10 ans, à compter de la date d'achat du produit.

Utilisation préconisée

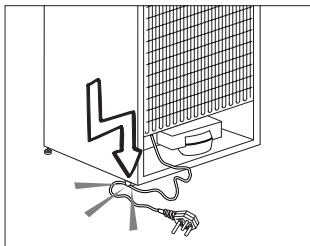
- Ce produit est prévu pour une utilisation:
 - en intérieur et dans des zones fermées telles que les maisons;
 - dans les environnements de travail fermés, tels que les magasins et les bureaux;
 - dans les lieux d'hébergement fermés, tels que les fermes, hôtels, pensions.
- Il ne doit pas être utilisé en extérieur.

Sécurité générale

- Avant de vous débarrasser de votre appareil, veuillez consulter les autorités locales ou votre revendeur pour connaître le mode opératoire et les organismes de collecte agréés.
- Consultez le service après-vente agréé concernant toutes questions ou problèmes relatifs au réfrigérateur. N'intervenez pas ou ne laissez personne intervenir sur le réfrigérateur sans le communiquer au service après-vente agréé.
- Pour les produits équipés d'un compartiment congélateur: ne mangez pas de cônes de crème glacée ou des glaçons immédiatement après les avoir sortis du compartiment de congélation ! (Cela pourrait provoquer des engelures dans votre bouche).

- Pour les produits équipés d'un compartiment congélateur: ne placez pas de boissons en bouteille ou en cannette dans le compartiment de congélation. Cela peut entraîner leur éclatement.
- Ne touchez pas des produits congelés avec les mains, ils pourraient se coller à celles-ci.
- Débranchez votre réfrigérateur avant de le nettoyer ou de le dégivrer.
- La vapeur et des matériaux de nettoyage pulvérisés ne doivent jamais être utilisés pour les processus de nettoyage ou de dégivrage de votre réfrigérateur. La vapeur pourrait pénétrer dans les pièces électriques et provoquer des courts-circuits ou des électrocutions.
- Ne jamais utiliser les pièces de votre réfrigérateur telles que la porte, comme un support ou une marche.
- N'utilisez pas d'appareils électriques à l'intérieur du réfrigérateur.
- N'endommagez pas les pièces où circule le liquide réfrigérant avec des outils de forage ou coupants. Le liquide réfrigérant qui pourrait s'échapper si les canalisations de gaz de l'évaporateur, les rallonges de tuyau ou les revêtements de surface étaient percés, peut irriter la peau et provoquer des blessures aux yeux.
- Ne pas couvrir ou obstruer les orifices de ventilation du réfrigérateur.
- Les appareils électriques peuvent être réparés seulement par des personnes autorisées. Les réparations réalisées par des personnes ne présentant pas les compétences requises peuvent présenter un risque pour l'utilisateur.
- En cas de dysfonctionnement ou lors d'opérations d'entretien ou de réparation, débranchez l'alimentation électrique du réfrigérateur soit en désactivant le fusible correspondant, soit en débranchant l'appareil.
- Ne tirez pas sur le câble lorsque vous débranchez la prise.

- Placez les boissons alcoolisées verticalement, dans des récipients convenablement fermés.
- Ne conservez jamais des aérosols contenant des substances inflammables et explosives dans le réfrigérateur.
- N'utilisez pas d'outils mécaniques ou autres dispositifs pour accélérer le processus de décongélation autres que ceux qui sont recommandés par le fabricant.
- Cet appareil peut être utilisé par des enfants âgés d'au moins 8 ans et par des personnes ayant des capacités physiques, sensorielles ou mentales réduites ou dénuées d'expérience ou de connaissance, s'ils (si elles) sont correctement surveillé(es) ou si des instructions relatives à l'utilisation de l'appareil en toute sécurité leur ont été données et si les risques encourus ont été appréhendés. Les enfants ne doivent pas jouer avec l'appareil. Le nettoyage et l'entretien par l'utilisateur doivent pas être effectués par des enfants sans surveillance.
- Ne faites pas fonctionner un réfrigérateur endommagé. Consultez le service agréé en cas de problème.
- La sécurité électrique du réfrigérateur n'est assurée que si le système de mise à la terre de votre domicile est conforme aux normes en vigueur.
- L'exposition du produit à la pluie, la neige, au soleil ou au vent présente des risques concernant la sécurité électrique.
- Contactez le service agréé quand un câble d'alimentation est endommagé pour éviter tout danger.
- Ne branchez jamais le réfrigérateur à la prise murale au cours de l'installation. Vous vous exposeriez à un risque de mort ou à de blessures graves.
- Ce réfrigérateur est conçu seulement pour conserver des aliments. Par conséquent, il ne doit pas être utilisé à d'autres fins.
- L'étiquette avec les caractéristiques techniques est située sur le mur gauche à l'intérieur du réfrigérateur.
- Ne branchez jamais votre réfrigérateur à des systèmes d'économie d'énergie, cela peut l'endommager.
- S'il y a une lumière bleue sur le réfrigérateur, ne la regardez pas avec des outils optiques.
- Pour les réfrigérateurs contrôlés manuellement, attendez au moins 5 minutes pour allumer le réfrigérateur après une coupure de courant.
- Si cet appareil venait à changer de propriétaire, n'oubliez pas de remettre la présente notice d'utilisation au nouveau bénéficiaire.
- Évitez d'endommager le câble d'alimentation quand vous transportez le réfrigérateur. Tordre le câble peut entraîner un incendie. Ne placez jamais d'objets lourds sur le câble d'alimentation.



- Évitez de toucher à la prise avec des mains mouillées au moment de brancher l'appareil.
- Évitez de brancher le réfrigérateur lorsque la prise de courant électrique a lâché.
- Pour des raisons de sécurité, évitez de pulvériser directement de l'eau sur les parties externes et internes du réfrigérateur.
- Ne pulvérisez pas de substances contenant des gaz inflammables comme du propane près du réfrigérateur pour éviter tout risque d'incendie et d'explosion.
- Ne placez jamais de récipients contenant de l'eau sur votre réfrigérateur, ils pourraient causer des chocs électriques ou un incendie.
- Évitez de surcharger le réfrigérateur avec une quantité excessive d'aliments. S'il est surchargé, les aliments peuvent tomber, vous blesser et endommager le réfrigérateur quand vous ouvrez la porte.
- Ne placez jamais d'objets au-dessus du réfrigérateur, ils pourraient tomber quand vous ouvrez ou fermez la porte du réfrigérateur.

- Les produits qui nécessitent un contrôle de température précis (vaccin, médicament sensible à la chaleur, matériels scientifiques, etc.) ne doivent pas être conservés dans le réfrigérateur.
- Si le réfrigérateur n'est pas utilisé pendant longtemps, il doit être débranché. Un problème avec le câble d'alimentation pourrait causer un incendie.
- Le bout de la prise électrique doit être nettoyé régulièrement à l'aide d'un chiffon sec, sinon il peut provoquer un incendie.
- Le réfrigérateur peut bouger si ses pieds réglables ne sont pas bien fixés sur le sol. Bien fixer les pieds réglables sur le sol peut empêcher le réfrigérateur de bouger.
- Quand vous transportez le réfrigérateur, ne le tenez pas par la poignée de la porte. Cela peut l'endommager.
- Quand vous devez placer votre produit près d'un autre réfrigérateur ou congélateur, la distance entre les appareils doit être d'au moins 8 cm. Sinon, les murs adjacents peuvent être humidifiés.

Conformité avec la directive LdSD:

- L'appareil que vous avez acheté est conforme à la directive RoHS (2011/65/UE) de l'UE. Il ne comporte pas de matériaux dangereux et interdits mentionnés dans la Directive.

Sécurité enfants

- Si la porte a un verrouillage, la clé doit rester hors de portée des enfants.
- Les enfants doivent être surveillés et empêchés de s'amuser avec le produit.

Avertissement sur l'usage des fluides frigorigènes

Si le système de refroidissement de votre appareil contient R600a:

Ce gaz est inflammable. Par conséquent, veuillez prendre garde à ne pas endommager le système de refroidissement et les tuyauteries lors de son utilisation ou de son transport.

En cas de dommages, éloignez votre produit de toute source potentielle de flammes susceptible de provoquer l'incendie de l'appareil. De même, placez le produit dans une pièce aérée.

Ne tenez pas compte de cet avertissement si le système de refroidissement de votre appareil contient R134a.

Le type de gaz utilisé dans l'appareil est mentionné sur la plaque signalétique située sur la paroi gauche de l'intérieur du réfrigérateur.

Ne jetez jamais l'appareil au feu pour vous en débarrasser.

Mesures d'économie d'énergie

- Ne laissez pas les portes du réfrigérateur ouvertes pendant une durée prolongée.
- N'introduisez pas de aliments ou de boissons chaudes dans le réfrigérateur.
- Ne surchargez pas le réfrigérateur pour ne pas obstruer pas la circulation d'air à l'intérieur.
- N'installez pas le réfrigérateur à la lumière directe du soleil ou près d'appareil émettant de la chaleur tels qu'un four, un lave-vaisselle ou un radiateur. Maintenez une distance d'au moins 30 cm entre votre réfrigérateur et toute source de chaleur, et à une distance de 5 cm d'un four électrique.
- Veillez à conserver vos aliments dans des récipients fermés.
- Pour les produits équipés d'un compartiment congélateur: vous pouvez conserver une quantité maximale d'aliments dans le congélateur quand vous enlevez l'étagère ou le tiroir du congélateur. La consommation d'énergie précisée pour votre réfrigérateur a été déterminée en enlevant l'étagère ou le tiroir du congélateur et avec la charge maximale. Il n'y a aucun risque à utiliser une étagère ou un tiroir en fonction des formes et tailles des aliments à congeler.
- La décongélation des aliments dans le compartiment réfrigérateur permet de faire des économies d'énergie et de préserver la qualité des aliments.

3 Installation

⚠ Dans l'hypothèse où l'information contenue dans ce manuel n'a pas été prise en compte par l'utilisateur, le fabricant ne sera aucunement responsable en cas de problèmes.

Éléments à prendre en considération lors du déménagement de votre réfrigérateur

1. Votre réfrigérateur doit être débranché.
2. Avant le transport de votre réfrigérateur, vous devez le vider et le nettoyer. Avant d'emballer votre réfrigérateur, vous devez fixer ses étagères, bac, accessoires, etc., avec du ruban adhésif afin de les protéger contre les chocs.
3. L'emballage doit être solidement attaché avec du ruban adhésif épais ou avec un cordage solide. La règlementation en matière de transport et de marquage de l'emballage doit être strictement respectée.
4. L'emballage et les matériaux de protection d'emballage doivent être conservés pour les éventuels transports ou déplacements à venir.

Avant de mettre votre réfrigérateur en marche

Vérifiez les points suivants avant de commencer à utiliser votre réfrigérateur :

1. L'intérieur du réfrigérateur est sec et l'air peut circuler librement à l'arrière?

2. Nettoyez l'intérieur du réfrigérateur tel qu'indiqué dans la section « Entretien et nettoyage ».
3. Insérez la prise du réfrigérateur dans la prise murale. Lorsque la porte du réfrigérateur est ouverte, la lampe interne du réfrigérateur s'éclaire.
4. Lorsque le compresseur commence à fonctionner, il émettra un son. Le liquide et les gaz intégrés au système du réfrigérateur peuvent également faire du bruit, que le compresseur soit en marche ou non. Ceci est tout à fait normal.
5. Les parties antérieures du réfrigérateur peuvent chauffer. Ce phénomène est normal. Ces zones doivent en principe être chaudes pour éviter tout risque de condensation.

Branchement électrique

Branchez votre réfrigérateur à une prise électrique protégée par un fusible ayant une capacité appropriée.

Important :

- Le branchement doit être conforme aux normes en vigueur sur le territoire national.
- La fiche du câble d'alimentation doit être facilement accessible après installation.
- La sécurité électrique du réfrigérateur n'est assurée que si le système de mise à la terre de votre domicile est conforme aux normes en vigueur.
- La tension indiquée sur l'étiquette située sur la paroi gauche interne de votre produit doit correspondre à celle fournie par votre réseau électrique.
- **Les rallonges et multiprises ne doivent pas être utilisés pour brancher l'appareil.**

⚠ Un câble d'alimentation endommagé doit être remplacé par un électricien qualifié.

⚠ L'appareil ne doit pas être mis en service avant d'être réparé ! Cette précaution permet d'éviter tout risque de choc électrique!

Mise au rebut de l'emballage

Les matériaux d'emballage peuvent être dangereux pour les enfants. Tenez les matériaux d'emballage hors de portée des enfants ou jetez-les conformément aux consignes établies par les autorités locales en matière de déchets. Ne les jetez pas avec les déchets domestiques, déposez-les dans les centres de collecte désignés par les autorités locales.

L'emballage de votre appareil est produit à partir de matériaux recyclables.

Mise au rebut de votre ancien réfrigérateur

Débarrassez-vous de votre ancien réfrigérateur sans nuire à l'environnement.

- Vous pouvez consulter le service après-vente agréé ou le centre chargé de la mise au rebut dans votre municipalité pour en savoir plus sur la mise au rebut de votre produit.

Avant de procéder à la mise au rebut de votre machine, coupez la prise électrique et, le cas échéant, tout verrouillage susceptible de se trouver sur la porte. Rendez-les inopérants afin de ne pas exposer les enfants à d'éventuels dangers.

Disposition et Installation

⚠ Si la porte d'entrée de la pièce où sera installé le réfrigérateur n'est pas assez large pour laisser passer le réfrigérateur, appelez le service après-vente qui retirera les portes du réfrigérateur et le fera entrer latéralement dans la pièce.

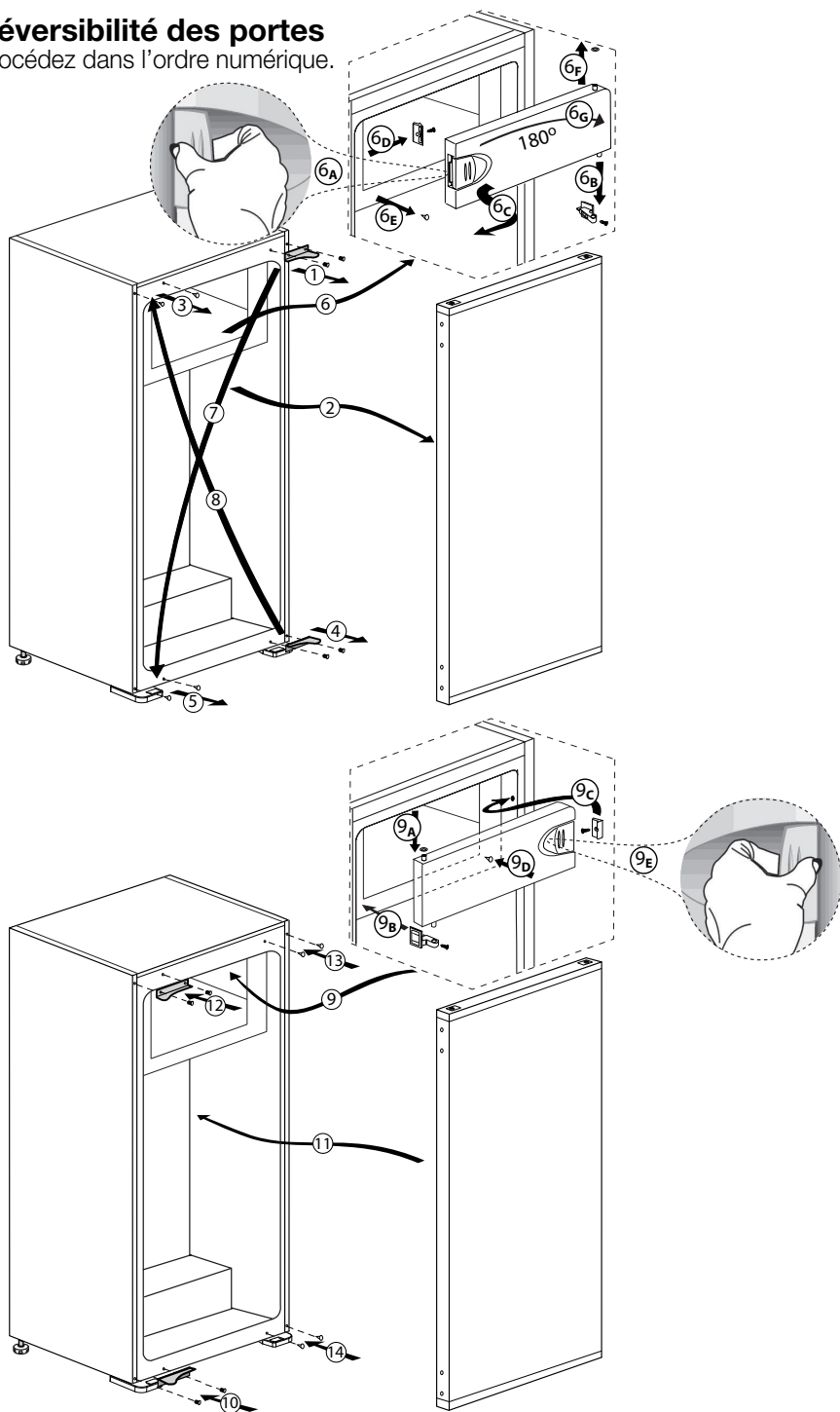
1. Installez le réfrigérateur dans un emplacement qui permette une utilisation pratique.
2. Maintenez le réfrigérateur éloigné de toutes sources de chaleur, des endroits humides et de la lumière directe du soleil.
3. Une ventilation d'air autour du réfrigérateur doit être aménagée pour obtenir un fonctionnement efficace. Si le réfrigérateur est placé dans un enfoncement du mur, il doit y avoir un espace d'au moins 5 cm avec le plafond et d'au moins 5 cm avec le mur. Ne placez pas l'appareil sur des revêtements tels qu'un tapis ou de la moquette.
4. Placez le réfrigérateur sur une surface plane afin qu'il soit stable.
5. N'exposez pas le réfrigérateur à des températures ambiantes inférieures à 10°C.

Remplacement de l'ampoule intérieure

Pour remplacer l'ampoule LED du réfrigérateur, veuillez contacter le service après-vente agréé. L'ampoule (s) utilisé dans cet appareil ne convient pas pour l'éclairage de la cuisine. Le but visé par cette ampoule est d'aider à l'utilisateur de placer les aliments dans le réfrigérateur / congélateur d'une manière sûre et confortable. Les voyants utilisés dans cet appareil doivent résister aux conditions physiques extrêmes telles que des températures inférieures à -20°C.

Réversibilité des portes

Procédez dans l'ordre numérique.

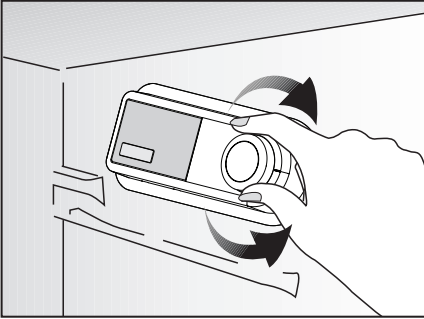


4 Préparation

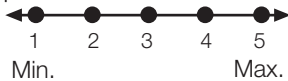
- Votre congélateur / réfrigérateur doit être installé à au moins 30 cm des sources de chaleur telles que les plaques de cuisson, les fours, appareils de chauffage ou cuisinières, et à au moins 5 cm des fours électriques. De même, il ne doit pas être exposé à la lumière directe du soleil.
- Veuillez vous assurer que l'intérieur de votre appareil est soigneusement nettoyé.
- La température ambiante de la pièce où vous installez le congélateur / réfrigérateur doit être d'au moins 10°C. Faire fonctionner l'appareil sous des températures inférieures n'est pas recommandé et pourrait nuire à son efficacité.
- Si deux congélateur / réfrigérateurs sont installés côte à côte, ils doivent être séparés par au moins 2 cm.
- Lorsque vous faites fonctionner le congélateur / réfrigérateur pour la première fois, assurez-vous de suivre les instructions suivantes pendant les six premières heures.
- La porte ne doit pas être ouverte fréquemment.
- Le congélateur / réfrigérateur doit fonctionner à vide, sans aliments à l'intérieur.
- Ne débranchez pas le congélateur / réfrigérateur. Si une panne de courant se produit, veuillez vous reporter aux avertissements dans la section « Dépannage ».
- L'emballage et les matériaux de protection d'emballage doivent être conservés pour les éventuels transports ou déplacements à venir.

5 Utilisation du réfrigérateur

Bouton de réglage du thermostat



La température de fonctionnement est réglée à l'aide de la commande de température.



1 = Réglage de réfrigération le plus faible (Réglage le moins froid)

5 = Réglage de réfrigération le plus fort (Réglage le plus froid)

(Ou)

Min. = Réglage de réfrigération le plus faible (Réglage le moins froid)

Max. = Réglage de réfrigération le plus fort (Réglage le plus froid)

La température médiane à l'intérieur du réfrigérateur doit être proche de +5°C.

Veuillez choisir le réglage en fonction de la température désirée. Vous remarquerez qu'il y a plusieurs températures différentes dans la zone de réfrigération. La zone la plus froide est située directement au-dessous du bac à légumes. La température intérieure est également fonction de la température ambiante, la fréquence d'ouverture de la porte et la quantité de aliments stockées à l'intérieur.

Si la porte est ouverte fréquemment, la température intérieure monte. Pour cette raison, il est recommandé de refermer la porte aussitôt que possible après utilisation.

La température intérieure de votre réfrigérateur change pour les raisons suivantes:

- Températures saisonnières.
- Ouverture fréquente de la porte et porte laissée ouverte pendant de longues périodes.
- Aliments introduites dans le réfrigérateur sans réduction à la température ambiante.
- Emplacement du réfrigérateur dans la pièce (par ex. exposition à la lumière directe du soleil).
- Vous pouvez régler les différentes températures intérieures dues à de telles raisons en utilisant le thermostat. Les numéros entourant le bouton du thermostat indiquent le niveau de refroidissement.
- Si la température ambiante est supérieure à 32°C, réglez le bouton du thermostat à la position maximale.
- Si la température ambiante est inférieure à 25°C, réglez le bouton du thermostat à la position minimale.

Réfrigération

Conservation des aliments

Le compartiment réfrigérateur est destiné à la conservation à court terme d'aliments frais et de boissons.

Congélation

Congeler les aliments

Le compartiment de congélation porte ce symbole *** ** ***.

Vous pouvez utiliser cet appareil pour congeler des aliments fraîches ainsi que pour stocker des aliments surgelées.

Veuillez vous référer aux recommandations indiquées sur l'emballage de votre aliment.

Conservation des aliments surgelées

Le compartiment des aliments congelés porte le symbole **(* *)**.

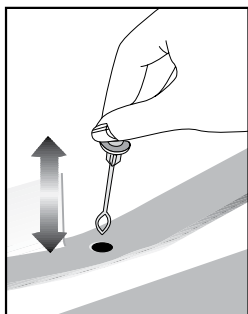
Le compartiment des aliments congelés est destiné au stockage de aliments surgelées. La recommandation de conservation, indiquée sur l'emballage des aliments, doit toujours être respectée.

Décongélation

A) Compartiment réfrigérateur

Le compartiment réfrigérateur se dégivre automatiquement. De l'eau s'écoule et une couche de givre pouvant atteindre 7-8 mm peut se former sur la paroi arrière interne du compartiment du réfrigérateur pendant le processus de refroidissement. Cette formation est normale, provoquée par le système de refroidissement. La formation de givre peut être supprimée par le dégivrage automatique qui s'active régulièrement grâce au système de dégivrage de la paroi arrière. L'utilisateur n'a pas besoin d'éliminer le givre ou les gouttes d'eau manuellement. L'eau générée par le dégivrage s'écoule dans la rainure de collecte de l'eau et passe dans l'évaporateur par le tuyau de vidange où elle s'évapore.

Vérifiez régulièrement le tuyau de vidange pour vous assurer qu'il n'est pas obstrué et débouchez-le en introduisant un bâton dans le trou si nécessaire.



B) Compartiment congélateur

Le compartiment du surgélateur ne réalise pas de dégivrage automatique pour empêcher la détérioration des aliments congelés. Le dégivrage est très simple et sans encombre grâce au bac spécial de récupération de l'eau de dégivrage. Dégivrez deux fois par an ou lorsque la couche de givre atteint environ 7 mm (1/4"). Pour procéder au dégivrage, déconnectez l'appareil et débranchez la prise d'alimentation.

Quand vous ouvrez/fermez la porte du compartiment de basse température, tirez légèrement par le volet (figure 1).

Emballer les aliments dans plusieurs couches de papier journal et stockez-les dans un endroit frais (réfrigérateur ou cellier par exemple).

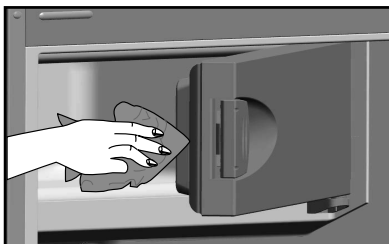
Des récipients d'eau chaude peuvent être placés avec précaution dans le congélateur pour accélérer le dégivrage.

N'utilisez pas d'objets pointus ou tranchants tels que couteaux ou fourchettes pour enlever le givre. N'utilisez jamais de sèche-cheveux, radiateurs électriques ou autres appareils électriques similaires pour dégivrer. Epongez l'eau de dégivrage située au fond du compartiment congélateur. Une fois le dégivrage terminé, séchez soigneusement l'intérieur (figure 2).

Branchez l'appareil à la prise murale et rétablissez l'alimentation électrique.



(figure 1)



(figure 2)

Eteindre le produit

Si la position « 0 » se trouve sur votre thermostat :

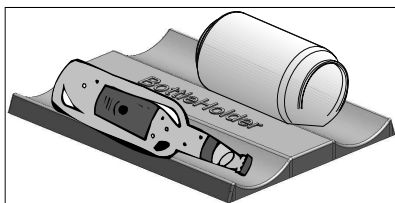
- Votre appareil cessera de fonctionner lorsque vous mettrez le bouton du thermostat à la position « 0 » (zéro). Votre appareil ne démarrera pas à moins que vous mettiez le bouton du thermostat sur la position « 1 » ou sur l'une des autres positions.

Si la position « min » se trouve sur votre thermostat :

- Débranchez votre appareil pour l'arrêter.

Porte-bouteille

Cet accessoire peut être utilisé pour stocker des bouteilles soit canettes côte à côte.



6 Entretien et nettoyage

- ⚠ N'utilisez jamais d'essence, de benzène ou de matériaux similaires pour le nettoyage.
- ⚠ Nous vous recommandons de débrancher l'appareil avant de procéder au nettoyage.
- ℹ N'utilisez jamais d'ustensiles tranchants, savon, produit de nettoyage domestique, détergent et cirage pour le nettoyage.
- ℹ Utilisez de l'eau tiède pour nettoyer la carrosserie du congélateur / réfrigérateur et séchez-la soigneusement à l'aide d'un chiffon.
- ℹ Utilisez un chiffon humide imbibé d'une solution composée d'une cuillère à café de bicarbonate de soude pour un demi litre d'eau pour nettoyer l'intérieur et séchez soigneusement.
- ⚠ Prenez soin de ne pas faire couler d'eau dans le logement de la lampe et dans d'autres éléments électriques.
- ⚠ En cas de non utilisation de votre congélateur / réfrigérateur pendant une période prolongée, débranchez le câble d'alimentation, sortez toutes les aliments, nettoyez-le et laissez la porte entrouverte.
- ℹ Inspectez les joints de porte régulièrement pour vérifier qu'ils sont propres et qu'il n'y a pas de résidus de nourriture.
- ℹ Pour retirer les balconnets de portes, sortez tout son contenu puis poussez simplement le balconnet vers le haut à partir de la base.

- ℹ Ne jamais utiliser des produits nettoyants ou de l'eau contenant du chlore pour le nettoyage des surfaces externes et des pièces chromées du produit. Le chlore entraîne la corrosion de ces surfaces métalliques.

Protection des surfaces en plastique

- Ne placez pas d'huiles ou de plats huileux dans le congélateur / réfrigérateur dans des récipients non fermés, car les graisses peuvent endommager les surfaces en plastique du congélateur / réfrigérateur. Si vous versez ou éclaboussez de l'huile sur les surfaces en plastique, nettoyez et lavez les parties souillées avec de l'eau chaude immédiatement.

7 Dépannage

Veillez vérifier la liste suivante avant d'appeler le service après-vente. Cela peut vous faire économiser du temps et de l'argent. Cette liste regroupe les problèmes les plus fréquents ne provenant pas d'un défaut de fabrication ou d'utilisation du matériel. Il se peut que certaines des fonctions décrites ne soient pas présentes sur votre produit.

Le réfrigérateur ne fonctionne pas.

- La fiche n'est pas insérée correctement dans la prise de courant. >>>Insérez correctement la fiche dans la prise de courant.
- Est-ce que le fusible ou la douille de raccord du réfrigérateur sont connectés ou est-ce que le fusible principal a sauté ? >>>Vérifiez le fusible.

Condensation sur la paroi intérieure du compartiment réfrigérateur. (MULTIZONE, COOL CONTROL et FLEXI ZONE).

- La température ambiante est très froide. >>>N'installez pas le réfrigérateur dans des endroits où la température peut être inférieure à 10°C.
- La porte a été ouverte souvent. >>>Évitez d'ouvrir et de fermer trop fréquemment la porte du réfrigérateur.
- L'environnement est très humide. >>>N'installez pas votre réfrigérateur dans des endroits très humides.
- La nourriture contenant du liquide est conservée dans des récipients ouverts. >>>Ne conservez pas de la nourriture contenant du liquide dans des récipients ouverts.
- La porte du réfrigérateur est laissée entrouverte. >>>Fermez la porte du réfrigérateur.
- Le thermostat est réglé à un niveau très froid. >>>Réglez le thermostat à un niveau adapté.

Le compresseur ne fonctionne pas.

- Le dispositif de protection thermique du compresseur sautera en cas de coupures soudaines du courant ou de débranchement intempestif, en effet la pression du liquide réfrigérant du système de refroidissement ne sera pas équilibrée. Le réfrigérateur recommencera à fonctionner normalement après 6 minutes environ. Veuillez contacter le service après-vente si le réfrigérateur ne redémarre pas après cette période.
- Le réfrigérateur est en mode de dégivrage. >>>Cela est normal pour un réfrigérateur à dégivrage semi-automatique. Le cycle de dégivrage se déclenche régulièrement.
- Le réfrigérateur n'est pas branché à la prise. >>>Assurez-vous que la prise est branchée dans la prise murale.
- Les réglages de température ne sont pas effectués correctement. >>>Sélectionnez la température appropriée.
- Il y a une panne de courant. >>>Le réfrigérateur recommence à fonctionner normalement après le retour du courant.

Le niveau sonore augmente lorsque le réfrigérateur est en marche.

- Les caractéristiques de performance du réfrigérateur peuvent changer en raison des variations de la température ambiante. Cela est normal et n'est pas un défaut.

Le réfrigérateur fonctionne fréquemment ou pendant de longues périodes.

- Votre nouveau réfrigérateur est peut-être plus large que l'ancien. Les grands réfrigérateurs durent plus longtemps.
- La température de la pièce est probablement élevée. >>>Il est normal que l'appareil fonctionne plus longtemps quand la température ambiante est élevée.
- Le réfrigérateur pourrait y avoir été branché tout récemment ou pourrait avoir été chargé de aliments alimentaires. >>>Quand le réfrigérateur a été branché ou récemment rempli avec de la nourriture, il met plus de temps à atteindre la température réglée. Ce phénomène est normal.
- D'importantes quantités de aliments chaudes ont peut-être été introduites dans le réfrigérateur récemment. >>>Ne mettez pas de nourriture chaude dans le réfrigérateur.
- Les portes ont peut-être été ouvertes fréquemment ou laissées entrouvertes pendant une durée prolongée. >>>L'air chaud qui entre dans l'appareil oblige le réfrigérateur à travailler sur de plus longues périodes. N'ouvrez pas les portes fréquemment.
- La porte du congélateur ou du réfrigérateur est probablement entrouverte. >>>Vérifiez que les portes sont bien fermées.
- Le réfrigérateur est réglé à une température très basse. >>>Réglez la température du réfrigérateur à un degré supérieur et attendez que la température réglée soit atteinte.
- Le joint de la porte du réfrigérateur ou du congélateur peut être sale, déchiré, rompu ou mal en place. >>>Nettoyez ou remplacez le joint. Tout joint endommagé/déchiré fait fonctionner le réfrigérateur pendant une période de temps plus longue afin de conserver la température actuelle.

La température du congélateur est très basse alors que celle du réfrigérateur est correcte.

- La température du congélateur est réglée à une température très basse. >>>Réglez la température du congélateur à un degré supérieur et vérifiez.

La température du réfrigérateur est très basse alors que celle du congélateur est correcte.

- La température du réfrigérateur est réglée à une température très basse. >>>Réglez la température du réfrigérateur à un degré supérieur et vérifiez.

Les aliments conservés dans les tiroirs du compartiment de réfrigération sont congelés.

- La température du réfrigérateur est réglée à une température très basse. >>>Réglez la température du réfrigérateur à un niveau inférieur et vérifiez.

La température dans le réfrigérateur ou le congélateur est très élevée.
<ul style="list-style-type: none"> • La température du réfrigérateur est réglée à une température très basse. >>>Le réglage du compartiment réfrigérant a un effet sur la température du congélateur. Changez les températures du réfrigérateur ou du congélateur et attendez que les compartiments atteignent une température suffisante. • Les portes ont peut être été ouvertes fréquemment ou laissées entrouvertes pendant une durée prolongée. >>>N'ouvrez pas les portes fréquemment. • La porte est entrouverte. >>>Refermez complètement la porte. • Le réfrigérateur a été récemment branché ou rempli avec de la nourriture. >>>Ce phénomène est normal. Lorsque le réfrigérateur vient d'être branché ou récemment rempli avec de la nourriture, il met plus de temps à atteindre la température réglée. • D'importantes quantités de aliments chaudes ont peut être été introduites dans le réfrigérateur récemment. >>>Ne mettez pas de nourriture chaude dans le réfrigérateur.
Vibrations ou bruits.
<ul style="list-style-type: none"> • Le sol n'est pas plat ou stable. >>>Si le réfrigérateur balance lorsqu'il est déplacé lentement, équilibrez-le en ajustant sa base. Assurez-vous que le sol est plat et suffisamment solide pour supporter le poids et le volume de l'appareil. • Les éléments placés sur le réfrigérateur peuvent faire du bruit. >>>Enlevez les éléments du haut du réfrigérateur.
Le réfrigérateur produit des bruits semblables à de l'eau qui coule, à la pulvérisation d'un liquide, etc.
<ul style="list-style-type: none"> • Des écoulements de gaz et de liquides surviennent dans le réfrigérateur, de par ses principes de fonctionnement Cela est normal et n'est pas un défaut.
Un sifflement sort du réfrigérateur.
<ul style="list-style-type: none"> • Les ventilateurs sont utilisés pour refroidir le réfrigérateur. Cela est normal et n'est pas un défaut.
Condensation sur les parois intérieures du réfrigérateur.
<ul style="list-style-type: none"> • Un temps chaud et humide augmente la formation de givre et de condensation. Cela est normal et n'est pas un défaut. • Les portes ont peut être été ouvertes fréquemment ou laissées entrouvertes pendant une durée prolongée. >>>N'ouvrez pas les portes fréquemment. Refermez-les si elles sont ouvertes. • La porte est entrouverte. >>>Refermez complètement la porte.
De l'humidité est présente à l'extérieur ou entre les portes du réfrigérateur.
<ul style="list-style-type: none"> • Il y a peut être de l'humidité dans l'air; ceci est tout à fait normal par un temps humide. Lorsque l'humidité est faible, la condensation disparaîtra.
Présence d'une mauvaise odeur dans le réfrigérateur.
<ul style="list-style-type: none"> • Il n'y a pas de nettoyage régulier effectué. >>>Nettoyez régulièrement l'intérieur du réfrigérateur avec une éponge, de l'eau tiède ou du carbonate dissout dans l'eau. • Certains récipients ou matériaux d'emballage peuvent provoquer ces odeurs. >>>Utilisez un autre récipient ou changez de marque de matériau d'emballage. • Les aliments sont mises au réfrigérateur dans des récipients sans couvercle. >>>Conservez les aliments liquides dans des récipients fermés. Les micro-organismes issus de récipients non fermés peuvent dégager des odeurs désagréables. • Enlevez les aliments périmés et pourris du réfrigérateur.
La porte ne se ferme pas.
<ul style="list-style-type: none"> • Des récipients empêchent la fermeture de la porte. >>>Retirez les emballages qui obstruent la porte. • Le réfrigérateur n'est pas complètement vertical sur le sol. >>>Ajustez les pieds du réfrigérateur pour l'équilibrer. • Le sol n'est pas plat ou solide. >>>Assurez-vous que le sol est plat et qu'il peut supporter le poids du réfrigérateur.
Les bacs à légumes sont coincés.
<ul style="list-style-type: none"> • Il se peut que les aliments touchent le haut du tiroir. >>>Disposez à nouveau les aliments dans le tiroir.

Gelieve eerst deze gebruiksaanwijzing te lezen!

Beste klant,

We hopen dat uw product, dat in een moderne fabriek werd geproduceerd en onder de meest nauwkeurige procedures voor kwaliteitscontrole werd gecontroleerd, u doeltreffend van dienst zal zijn.




Wij bevelen daarom aan dat u eerst zorgvuldig de volledige gebruiksaanwijzing van uw product leest voordat u het product gaat gebruiken. Bewaar de handleiding voor toekomstige raadpleging.

Deze gebruiksaanwijzing

- Helpt u uw toestel snel en veilig te gebruiken.
- Lees de gebruiksaanwijzing voordat u het product installeert en gebruikt.
- Volg de instructies, in het bijzonder die met betrekking tot veiligheid.
- Bewaar de gebruiksaanwijzing op een eenvoudig toegankelijke plaats aangezien u deze later nodig kunt hebben.
- Daarnaast dient u ook de andere documenten die bij uw product worden geleverd te lezen.
- Let erop dat deze gebruiksaanwijzing ook voor andere modellen kan gelden.

Symbolen en hun beschrijvingen

Deze instructiehandleiding bevat de volgende symbolen:

-  Belangrijke informatie of nuttige gebruikstips.
-  Waarschuwing tegen gevaarlijke omstandigheden voor leven en eigendommen.
-  Waarschuwing tegen elektrische spanning.



WAARSCHUWING!

U moet de volgende regels in acht nemen om de normale werking van uw koelkast, die het volledig milieuvriendelijke koelmiddel R600a gebruikt, te verzekeren:

- Hinder de vrije luchtcirculatie rond het toestel niet.
- Gebruik geen andere mechanische toestellen om het ontdooien te versnellen dan de toestellen die door de fabrikant worden aangeraden.
- Vernietig het koelcircuit niet.
- Gebruik geen andere elektrische toestellen in de bewaarlade voor etenswaren dan de toestellen die eventueel door de fabrikant worden aangeraden.



INFORMATIE



ENERG



SUPPLIER'S NAME

MODEL IDENTIFIER (*)

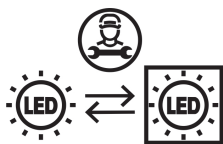
A

A

De informatie van het model zoals opgeslagen in de product-databank is toegankelijk op de onderstaande website. Zoek uw model identificatie (*) vermeld op het energielabel.

<https://eprel.ec.europa.eu/>

1 Uw koelkast	3	4 Voorbereiding	10
2 Belangrijke veiligheidswaarschuwingen	4	5 Gebruik van uw koelkast	11
Bedoeld gebruik	4	Knop om thermostaat in te stellen	11
Algemene veiligheid	4	Koelen	11
Naleving van Richtlijn RoHS:	5	Diepvriezen	11
Kinderbeveiliging	6	Ontdooien	12
HCA-waarschuwing	6	Uw product uitschakelen	12
Aanwijzingen ter besparing van energie ...	6	Houder fles	12
3 Installatie	7	6 Onderhoud en reiniging	13
Punten waarop gelet moet worden bij de verplaatsing van een koelkast	7	Bescherming van de plastic oppervlakken	13
Voordat u de koelkast inschakelt,	7	7 Aanbevolen oplossingen voor problemen	14
Elektrische aansluiting	7		
Afvoeren van de verpakking	8		
Afvoeren van uw oude koelkast	8		
Plaatsing en installatie	8		
Het binnenlichtje vervangen	8		
De deuren omkeren	9		



Dit product is uitgerust met een lichtbron van de "G"-energieklasse. De lichtbron in dit product mag enkel worden vervangen door professionele reparateurs.

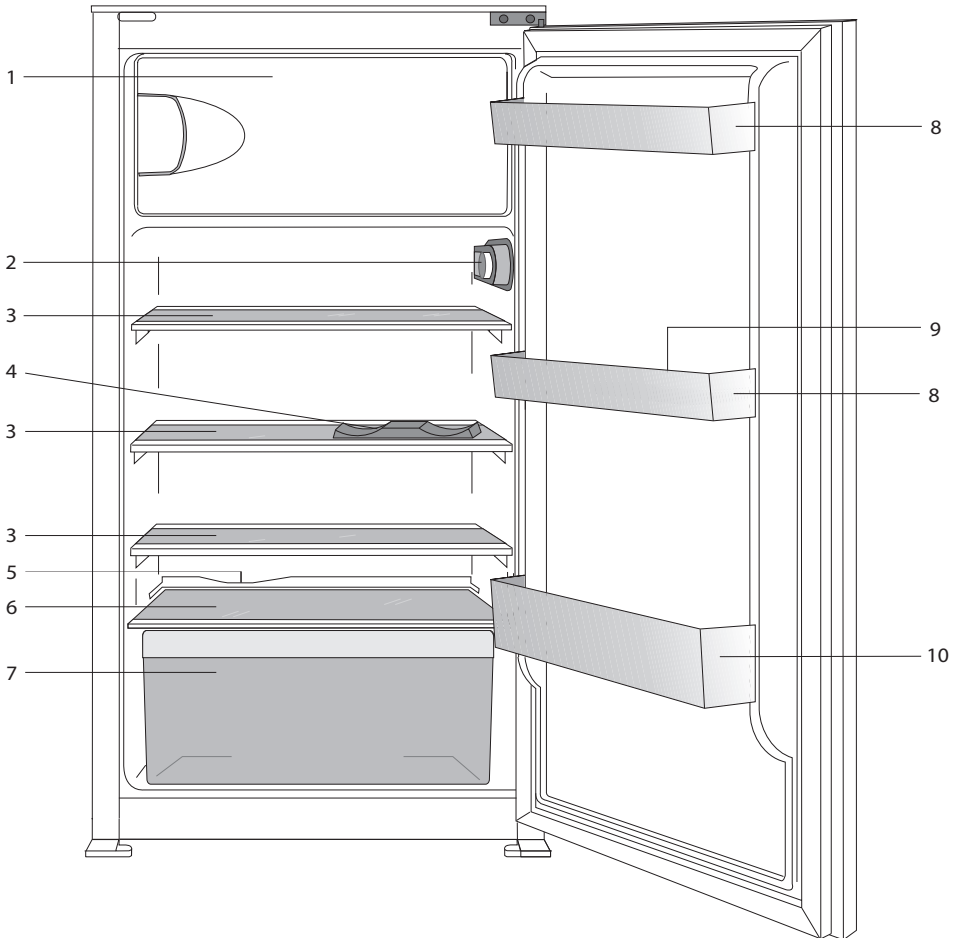
Recyclage

Dit product bevat het symbool voor selectief sorteren van afval van elektrische uitrustingen en elektronica (WEEE).

Dit betekent dat dit product moet worden gehanteerd overeenkomstig de Europese richtlijn 2012/19/EU ten einde te worden gerecycleerd of gedemonteerd om de impact op het milieu te minimaliseren. Voor meer informatie, neem a.u.b. contact op met uw plaatselijke of regionale overheid.

Elektronische producten die niet selectief gesorteerd worden, zijn potentieel gevaarlijk voor het milieu en de gezondheid van de mens omwille van de aanwezigheid van gevaarlijke stoffen.

1 Uw koelkast



1. a.) Invriesvak & ijsblokjesvorm (voor ❄️❄️❄️ modellen)
b.) Vak voor diepvriesproducten & ijsblokjesvorm (voor ❄️❄️ modellen)
2. Binnenverlichting en thermostaat
3. Verplaatsbare schappen
4. Houder fles
5. Afvoerkanaal dooiwater - afvoerpijp
6. Deksel van de groentelade
7. Groenteladen
8. Verstelbare deurschappen
9. Eierrek
10. Flessenrekken

i De afbeeldingen in deze gebruiksaanwijzing zijn schematisch en hoeven niet exact met uw product overeen te komen. Wanneer onderdelen niet tot het product behoren dat u hebt gekocht, gelden deze voor andere modellen.

2 Belangrijke veiligheids waarschuwingen

Gelieve de volgende informatie goed te bestuderen. Niet-inachtneming van deze informatie kan verwondingen of materiële schade veroorzaken. In dat geval worden alle garanties en betrouwbaarheids engagementen ongeldig.

De originele onderdelen worden beschikbaar gehouden gedurende een periode van 10 jaar vanaf de aankoopdatum.

Bedoeld gebruik

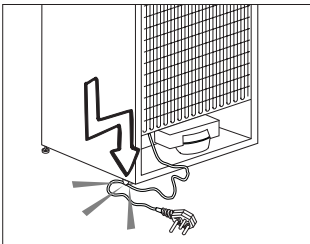
- Dit product is bedoeld om te worden gebruikt:
 - binnen en in gesloten omgevingen zoals huizen;
 - in gesloten werkomgevingen zoals kantoren en winkels;
 - in gesloten accommodatieomgevingen zoals boerderijen, hotels, pensions.
- Het toestel mag niet buitenshuis worden gebruikt.

Algemene veiligheid

- Wanneer u het product wenst af te voeren, raden wij u aan de bevoegde onderhoudsdienst te raadplegen om de benodigde informatie en bevoegde instanties te leren kennen.
- Raadpleeg uw bevoegde onderhoudsdienst voor alle vragen en problemen met betrekking tot de koelkast. Voer geen ingrepen aan de koelkast uit en laat dit ook niet door iemand anders doen zonder de bevoegde onderhoudsdienst op de hoogte te stellen.
- Voor producten met een diepvriesvak; Eet geen ijs of ijsblokjes meteen nadat u deze uit het diepvriesvak heeft gehaald. (Dit kan bevriezing in uw mond veroorzaken.)
- Voor producten met een diepvriesvak; Plaats geen flessen of blikjes met vloeibare dranken in het diepvriesvak. Deze zouden kunnen barsten.
- Raak ingevroren levensmiddelen niet met de hand aan; deze kunnen aan uw hand vastplakken.
- Verwijder de stekker uit uw koelkast voor u deze reinigt of ontdooit.

- Bij het schoonmaken en ontdooien van de koelkast mogen geen stoom en stoomreinigers gebruikt worden. De stoom kan in contact komen met de elektrische onderdelen en kortsluiting of een elektrische schok veroorzaken.
- Gebruik geen onderdelen van uw koelkast zoals de deur als steun of opstapje.
- Gebruik geen elektrische apparaten binnen in de koelkast.
- Beschadig de onderdelen, waar de koelvloeistof circuleert, niet door boor- of snijgereedschap. De koelvloeistof kan naar buiten geblazen worden wanneer de gasleidingen van de verdamer, leidingverlengingen of oppervlaktecoatings worden doorboord en dit kan huidirritatie en oogletsel veroorzaken.
- Dek of blokkeer de ventilatieopeningen van uw koelkast met geen enkel materiaal.
- Elektrische toestellen mogen enkel door bevoegde personen worden hersteld. Reparaties die door onbevoegde personen worden uitgevoerd kunnen een risico voor de gebruiker opleveren.
- Sluit in geval van storing of tijdens onderhouds- of reparatiewerken de stroomtoevoer van de koelkast af door de zekering eruit te draaien of de stekker van het apparaat eruit te trekken.
- Bij het uittrekken van de stekker deze niet aan de kabel uittrekken.
- Plaats alcoholische dranken goed afgesloten en verticaal.
- Bewaar nooit spuitbussen met een ontvlambare of explosieve inhoud in de koelkast.
- Gebruik geen andere mechanische gereedschappen of andere middelen om het ontdooiproces te versnellen dan deze aangeraden door de fabrikant.
- Dit product is niet bestemd voor gebruik door personen met een fysieke, zintuiglijke of mentale stoornis of ongeschoolde of onervaren mensen (inclusief kinderen) tenzij deze worden bijgestaan door een persoon die verantwoordelijk is voor hun veiligheid of die hen dienovereenkomstig instructies geeft bij het gebruik van het product.
- Gebruik geen beschadigde koelkast. Neem contact op met de dealer als u vragen heeft.

- Elektrische veiligheid van uw koelkast wordt alleen gegarandeerd wanneer het aardingsstelsel in uw huis aan de normen voldoet.
- Blootstelling van het product aan regen, sneeuw, zon en wind is gevaarlijk met betrekking tot de elektrische veiligheid.
- Neem contact op met een bevoegde dienst wanneer de stroomkabel beschadigd is om zo gevaar te voorkomen.
- Steek tijdens installatie nooit de stekker van de koelkast in de wandcontactdoos. Er bestaat een kans op overlijden of serieus letsel.
- Deze koelkast is enkel bestemd voor het bewaren van voedsel. Hij mag niet voor andere doeleinden worden gebruikt.
- Het label met technische specificaties bevindt zich aan de linkerwand binnenin de koelkast.
- Sluit je koelkast nooit aan op energiebesparende systemen; deze kunnen de koelkast beschadigen.
- Als er zich een blauwe lamp in uw koelkast bevindt, kijk hier dan niet voor een lange tijd in met het blote oog of met optische hulpmiddelen.
- Wacht minstens 5 minuten met het inschakelen van de koelkast na stroomuitval bij manueel bediende koelkasten.
- Deze gebruikershandleiding moet aan de nieuwe eigenaar van het toestel gegeven worden wanneer het toestel doorgegeven wordt.
- Vermijd schade aan de stroomkabel bij transport van de koelkasten. De kabel plooiën kan vuur veroorzaken. Plaats geen zware voorwerpen op de stroomkabel.
- Plaats de stekker van de koelkast niet in het stopcontact als dit stopcontact los is.
- Er mag om veiligheidsredenen geen water rechtstreeks op de binnen- of buitendelen van het toestel gesproeid worden.
- Sproei geen stoffen met ontvlambare gassen zoals propaangas dichtbij de koelkast om gevaar op vuur en ontploffing te voorkomen.
- Plaats geen containers gevuld met water op de koelkast; dit kan bij morsen elektrische schokken of vuur veroorzaken.
- Laad de koelkast niet te vol met voedsel. Indien de koelkast overladen is, kan voedsel naar beneden vallen bij het openen en u kwetsen of de koelkast beschadigen.
- Plaats geen objecten op de koelkast; deze kunnen naar beneden vallen wanneer u de deur open of dicht doet.
- Producten die een nauwkeurige temperatuurregeling nodig hebben (vaccins, hittegevoelige medicatie, wetenschappelijke materialen, enz.) mogen niet in koelkast bewaard worden.
- De koelkast moet worden losgekoppeld indien deze langdurig niet wordt gebruikt. Een mogelijk probleem met de stroomkabel kan vuur veroorzaken.
- Het uiteinde van de stekker moet regelmatig worden gereinigd met een droge doek, anders kan deze brand veroorzaken.
- De koelkast kan bewegen als de stelvoetjes niet juist op de vloer worden vastgezet. De stelvoetjes juist vastzetten op de vloer kan voorkomen dat de koelkast beweegt.
- Hef de koelkast niet aan het handvat bij verplaatsing. Anders breekt het.
- Als u het product naast een andere koelkast of diepvriezer plaatst, moet de afstand hiertussen minstens 8 cm zijn. Anders kunnen aaneensluitende zijwanden nat worden.



- Raak de stekker niet aan met natte handen wanneer deze in het stopcontact wordt geplaatst.

Naleving van Richtlijn RoHS:

- Het door u aangekochte product voldoet aan de EU-richtlijn RoHS (2011/65/EU). Het bevat geen schadelijke en verboden materialen die in deze richtlijn zijn opgenomen.

Kinderbeveiliging

- Indien de deur een slot heeft, moet de sleutel buiten het bereik van kinderen worden gehouden.
- Kinderen moeten onder toezicht staan om te voorkomen dat ze met het product knoeien.

HCA-waarschuwing

Als het koelsysteem van uw product R600a bevat:

Dit gas is ontvlambaar. Zorg daarom tijdens gebruik en transport dat het koelsysteem en de leidingen niet beschadigd raken. In het geval van schade: houd uw product weg van mogelijke ontstekingsbronnen die kunnen veroorzaken dat het product vuur vat en ventileer de ruimte waarin de unit is geplaatst.

Negeer deze waarschuwing als het koelsysteem van uw product R134a bevat.


Het type gas dat in dit product wordt gebruikt staat vermeld op de type-etiket aan de linkerwand binnenin de koelkast.

Gooi het product nooit in vuur voor verwijdering.

Aanwijzingen ter besparing van energie

- Houd de deuren van uw koelkast niet lang open.
- Plaats geen warme levensmiddelen of dranken in de koelkast.
- Overlaad de koelkast niet zodat luchtcirculatie aan de binnenzijde niet geblokkeerd wordt.
- Plaats de koelkast niet in direct zonlicht of naast warmteafgevend apparaten zoals een oven, vaatwasser of radiator. Houd uw koelkast minstens 30 cm verwijderd van warmteafgevend bronnen en minstens 5 cm van elektrische ovens.
- Bewaar uw levensmiddelen in gesloten bakjes.
- Voor producten met een diepvriesvak; U kunt een maximale hoeveelheid voedsel in de diepvries bewaren wanneer u de schappen of lade uit de diepvries verwijdert. De waarde voor energieconsumptie van uw diepvries werd vastgesteld door verwijdering van de diepvries schappen of laden en onder de maximum hoeveelheid. Er bestaat geen risico bij het gebruik van een schap of lade volgens de vorm en grootte van het in te vriezen voedsel.
- Bevroren voedsel in het koelgedeelte ontdooien laat toe om energie te besparen en behoudt de voedselkwaliteit.

3 Installatie

 Indien de informatie die in deze gebruikershandleiding wordt gegeven, niet wordt opgevolgd, is de fabrikant in geen geval aansprakelijk.

Punten waarop gelet moet worden bij de verplaatsing van een koelkast

1. Uw koelkast moet van de stroom zijn afgesloten. Voor het vervoer van uw koelkast moet deze leeg zijn gemaakt en gereinigd.
2. Voordat deze wordt verpakt, moeten schappen, accessoires, groentelade, enz. in de koelkast worden vastgemaakt met tape en beschermd zijn tegen stoten. De verpakking dient met dikke tape of geschikt touw worden ingebonden en de vervoerregels op de verpakking dienen strikt te worden nageleefd.
3. Originele verpakking en schuimmaterialen moeten worden bewaard voor toekomstig transport of verhuizen.

Voordat u de koelkast inschakelt

Controleer het volgende voordat u uw koelkast gaat gebruiken:


1. De binnenzijde van de koelkast schoon is en de luchtcirculatie aan de achterzijde vrij kan plaatsvinden?
2. Maak de binnenkant van de koelkast schoon, zoals aanbevolen in het hoofdstuk "Onderhoud en reiniging".

3. Sluit de stekker van de koelkast aan op het stopcontact. Als de koelkastdeur wordt geopend, gaat de binnenverlichting van de koelkast aan.
4. Als de compressor begint te draaien, komt er een geluid vrij. De vloeistof en de gassen die zich in het koelsysteem bevinden, zouden ook wat lawaai kunnen veroorzaken zelfs wanneer de compressor niet werkt. Dit is normaal.
5. De buitenkant van de koelkast kan warm aanvoelen. Dit is normaal. Deze oppervlakken zijn bedoeld om warm te worden om condensvorming te voorkomen.

Elektrische aansluiting

Sluit uw apparaat aan op een geaard stopcontact, beschermd door een zekering met de juiste capaciteit. Belangrijk:

- De aansluiting moet in naleving zijn met nationale voorschriften.
- De stroomstekker moet na installatie eenvoudig bereikbaar zijn.
- Elektrische veiligheid van uw koelkast wordt alleen gegarandeerd wanneer het aardingsstelsel in uw huis aan de normen voldoet.
- Het voltage op het etiket dat zich links binnenin uw product bevindt moet gelijk zijn aan uw netstroomvoltage.
- **Verlengkabels en verdeelstekkers mogen voor aansluiting niet worden gebruikt.**

 Een beschadigde stroomkabel moet door een gekwalificeerde elektricien worden vervangen.

 Het product mag niet in werking worden gesteld voordat het gerepareerd is! Er bestaat anders gevaar op een elektrische schok!

Afvoeren van de verpakking

De verpakkingsmaterialen kunnen gevaarlijk zijn voor kinderen. Houd het verpakkingsmateriaal buiten bereik van kinderen of voer deze af conform afvalinstructies zoals bepaald door uw lokale autoriteiten. Gooi het niet weg met het normale huishoudafval, maar maak gebruik van ophaalplaatsen voor verpakkingen die door lokale autoriteiten zijn aangewezen.

De verpakking van uw koelkast is vervaardigd uit herbruikbare materialen.

Afvoeren van uw oude koelkast

Voer uw oude koelkast af zonder het milieu op enige wijze te schaden.

- U kunt uw bevoegde dealer of het afvalcentrum van uw gemeente raadplegen over het afvoeren van uw koelkast.

Voordat u uw koelkast afvoert, snijd de elektrische stekker af. Indien het apparaat is uitgevoerd met deursluitingen, dit slot dan onbruikbaar maken om kinderen tegen gevaar te beschermen.

Plaatsing en installatie

⚠ Als de toegangsdeur van de kamer waarin de koelkast wordt geïnstalleerd niet breed genoeg is voor de koelkast om erdoor te passen, bel dan de bevoegde dienst zodat deze de deuren van uw koelkast kan verwijderen en de koelkast zijdelings door de deur kan.

1. Installeer uw koelkast op een plaats waar deze gemakkelijk kan worden gebruikt.
2. Houd uw koelkast uit de buurt van warmtebronnen, vochtige plaatsen en direct zonlicht.

3. Er moet geschikte luchtventilatie rond uw koelkast zijn om een efficiënte werking te verkrijgen. Als de koelkast in een uitsparing in de muur wordt geplaatst, moet er minstens 5 cm afstand zijn ten opzichte van het plafond en minstens 5 cm ten opzichte van de muur. Plaats uw product niet op materialen zoals een kleden of vloerbedekking.
4. Plaats uw koelkast op een vlak vloeroppervlak om schokken te vermijden.
5. Plaats uw koelkast niet in omgevingstemperaturen onder 10°C.

Het binnenlichtje vervangen

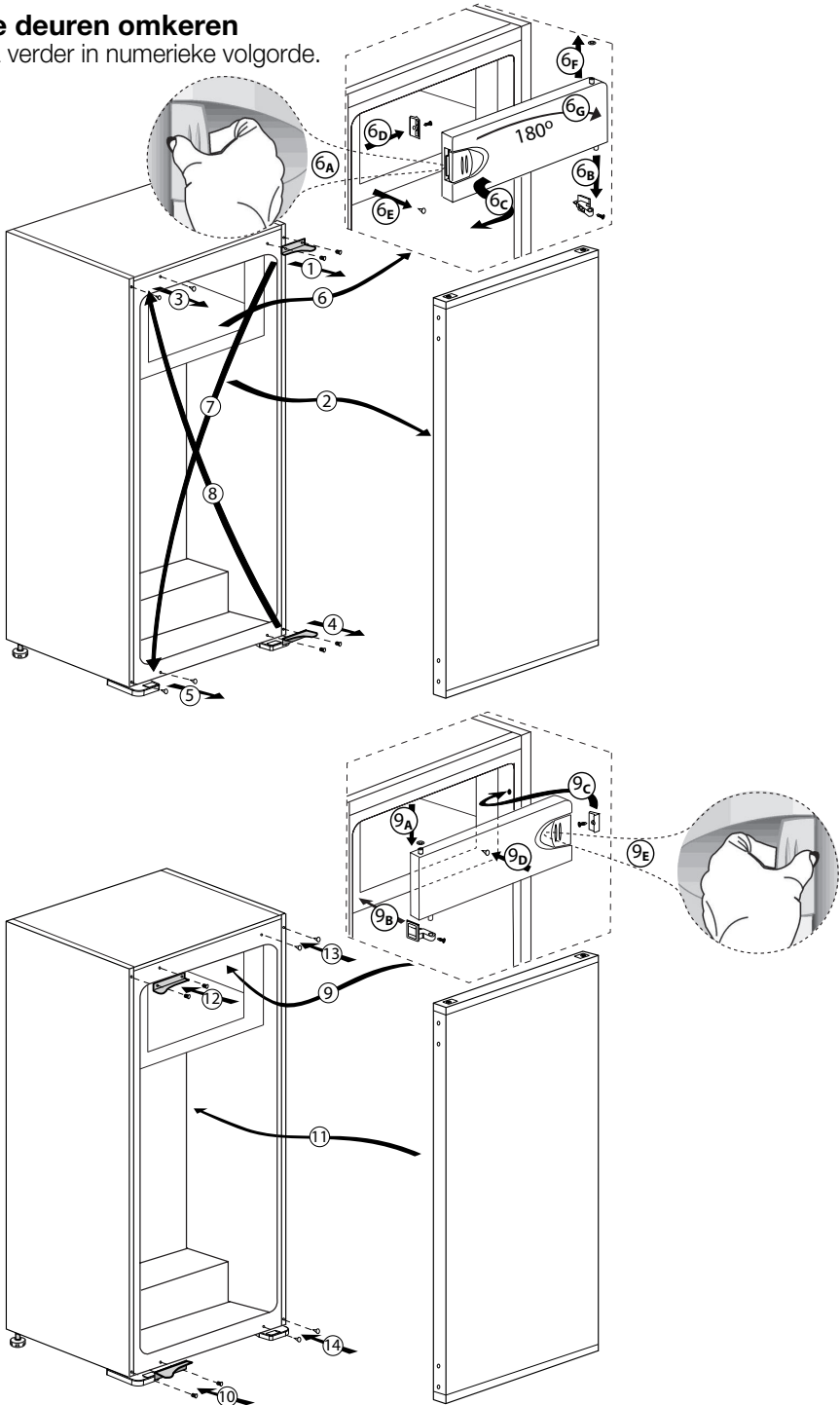
Om de lamp/led voor de binnenverlichting van uw koelkast te vervangen, bel uw bevoegde onderhoudsdienst.

De lamp of lampen voorzien in dit apparaat mogen niet worden gebruikt voor de verlichting van huishoudelijke ruimten. Het beoogde gebruik van deze lamp is de gebruiker te helpen etenswaren op veilige en comfortabele wijze in de koelkast/diepvriezer te plaatsen.

De lampen die in dit apparaat worden gebruikt moeten bestendig zijn tegen extreme fysieke omstandigheden, zoals temperaturen beneden de -20°C.

De deuren omkeren

Ga verder in numerieke volgorde.

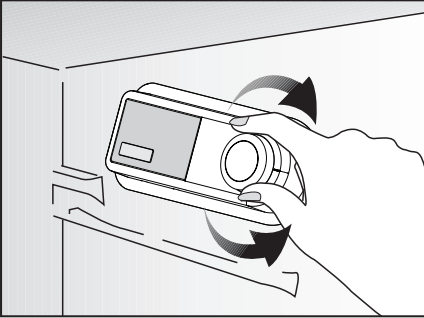


4 Voorbereiding

- Uw koelkast moet worden geïnstalleerd op minstens 30 cm afstand van warmtebronnen zoals kookplaten, centrale verwarming en kachels en op minstens 5 cm afstand van elektrische ovens. De koelkast mag niet in direct zonlicht worden geplaatst.
- De omgevingstemperatuur van de kamer waarin u de koelkast installeert dient minstens 10°C te zijn. In verband met efficiëntie wordt gebruik van uw koelkast in koudere omstandigheden niet aanbevolen.
- Controleer of de binnenzijde van uw koelkast volledig schoon is.
- Bij installatie van twee koelkasten naast elkaar, moeten de koelkasten op een afstand van minstens 2 cm van elkaar worden geplaatst.
- Wanneer u de koelkast voor de eerste keer in gebruik neemt, gelieve tijdens de eerste zes uur de volgende instructies in acht te houden.
 - De deur niet regelmatig openen.
 - Koelkast moet in bedrijf gesteld worden zonder levensmiddelen.
 - De stekker van de koelkast niet uittrekken. Indien zich een stroomstoring voordoet buiten uw macht, zie de waarschuwingen in het deel "Aanbevolen oplossingen voor problemen".
- Originele verpakking en schuimmaterialen moeten worden bewaard voor toekomstig transport of verhuizen.

5 Gebruik van uw koelkast

Knop om thermostaat in te stellen



De werkingstemperatuur wordt geregeld via de temperatuursturing.

Warmste ← ● 1 ● 2 ● 3 ● 4 ● 5 → Koudste
(Of) Min. Max.

1 = Laagste koelinstelling (Warmste instelling)

5 = Hoogste koelinstelling (Koudste instelling)

(Of)

Min. = Laagste koelstand
(Warmste instelling)

Max. = Hoogste koelstand
(Koudste instelling)

De gemiddelde koelkasttemperatuur moet ongeveer $+5^{\circ}\text{C}$ bedragen.

Kies een stand afhankelijk van de gewenste temperatuur.

Merk op dat er in het koelgebied verschillende temperaturen zijn.

Het koudste gedeelte bevindt zich onmiddellijk boven het groentevak.

De binnentemperatuur hangt ook af van de omgevingstemperatuur, hoe vaak de deur geopend wordt en de hoeveelheid voedsel die in de koelkast bewaard wordt.

Wanneer u de deur vaak opent, stijgt de temperatuur in de koelkast.

Het is daarom raadzaam om de deur na elk gebruik zo snel mogelijk te sluiten.

De binnentemperatuur van uw koelkast verandert om de volgende redenen:

- Seizoentemperaturen.
- Frequent openen van de deur of de deur lang open laten staan.
- Etenswaaren die in de koelkast wordt geplaatst zonder dat deze tot kamertemperatuur zijn afgekoeld.
- De plaats van de koelkast in de kamer (bijv. blootgesteld aan zonlicht).
- Met de thermostaat kunt u een als gevolg van deze redenen variërende binnentemperatuur aanpassen. De cijfers rond de thermostaatknop geven de mate van koeling aan.
- Wanneer de omgevingstemperatuur hoger is dan 32°C , draait u de thermostaatknop in de maximumpositie.
- Wanneer de omgevingstemperatuur lager is dan 25°C , draait u de thermostaatknop naar de minimum positie.

Koelen

Bewaren van voedsel

Het koelkastgedeelte dient voor het bewaren van verse etenswaren en dranken.

Diepvriezen

Voedsel invriezen

Het diepvriesgedeelte is met dit symbool  gemarkeerd.

U kunt het apparaat gebruiken om verse etenswaren in te vriezen of om diepvriesproducten te bewaren.

Raadpleeg de aanbevelingen op de verpakking van de etenswaren.

Bewaren van bevroren etenswaren

Het vak voor diepvriesproducten is gemarkeerd met dit  symbool.

Het vak voor diepvriesproducten is geschikt voor het bewaren van bevroren levensmiddelen. De aanbeveling voor bewaring, zoals vermeld op de verpakking van de diepvriesproducten, moet altijd in acht worden genomen.

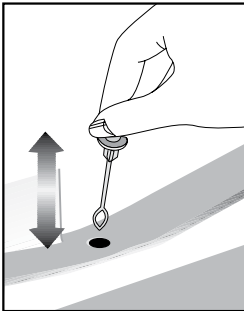
Ontdooien

A) Koelkastgedeelte

Het koelkastgedeelte ontdooit volledig automatisch.

Waterdruppels en een ijslaag van tot 7-8 mm kunnen zich voordoen op de binnenste achterwand van het koelkastgedeelte terwijl uw koelkast aan het koelen is. Zulke ijsvorming is normaal als een resultaat van het koelsysteem. De ijsvorming wordt ontdooid via een automatische ontdooiing met bepaalde tussentijden dankzij het automatische ontdooisysteem van de achterwand. De gebruiker moet de ijsvorming niet wegschrapen of de waterdruppels niet verwijderen. Het water dat afkomstig is van het ontdooien loopt weg via de wateropvanggroef en stroomt in de verdampers via de afvoerleiding en verdampt daar zelf.

Controleer regelmatig om te zien of de afvoerleiding niet verstopt is en ontstop met behulp van een stokje in de opening indien nodig.



B) Diepvriesgedeelte

Het diepvriesgedeelte voert geen automatische ontdooiing uit om het rotten van voedsel te voorkomen.

Ontdooien is zeer eenvoudig en zonder vuiligheid, dankzij een speciale verzamelbak voor het dooiwater.

Ontdooi twee keer per jaar of wanneer er zich een ijslaag van ongeveer 7 mm ($\frac{1}{4}$ ") heeft gevormd. Om de ontdooiprocedure te beginnen, schakel het apparaat uit aan het stopcontact en trek de hoofdstekker uit.

Trek als u de deur van het lage temperatuurvak opent/sluit, lichtjes aan de sluitklep (Afb. 1).

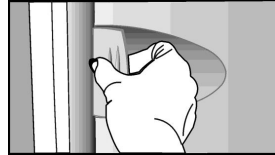
Alle etenswaren moeten in een dikke laag kranten worden verpakt en in een koele ruimte worden bewaard (bijv. koelkast of provisiekamer).

Om het ontdooiproces te versnellen kunt u voorzichtig een bakje warm water in het vriesvak plaatsen.

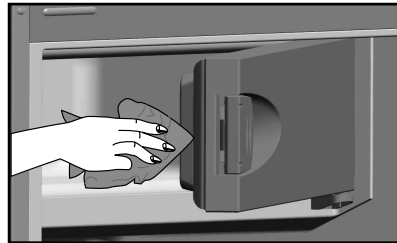
Gebruik geen puntige of scherpe voorwerpen, zoals messen of vorken, om het ijs te verwijderen.

Gebruik nooit haardrogers, elektrische verwarmingstoestellen of andere gelijkaardige elektrische toestellen om te ontdooien. Spons het verzamelde dooiwater op de bodem van het diepvriesgedeelte op. Na het ontdooien de binnenkant goed droog maken (Afb. 2).

Steek de stekker in het stopcontact en schakel de stroomtoevoer aan.



(Afb. 1)



(Afb. 2)

Uw product uitschakelen

Als uw thermostaat is uitgerust met de stand "0":

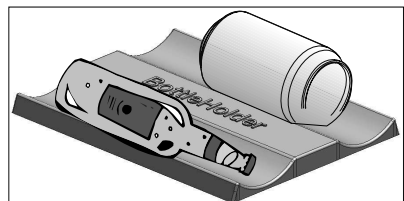
- Uw product stopt met werken wanneer u de thermostaatknop naar de stand "0" (nul) draait. Uw product zal pas weer starten wanneer u de thermostaatknop naar de stand "1" of naar een van de andere standen draait.

Als uw thermostaat is uitgerust met de stand "min":







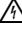



- Trek de stekker van uw product uit het stopcontact om het uit te schakelen.

Houder fles


Deze accessoire kunt u gebruiken voor het bewaren flessen of blikjes naast elkaar.



6 Onderhoud en reiniging

-  Gebruik nooit benzine, benzeen of gelijksoortige substanties voor het reinigingswerk.
-  Wij bevelen aan dat u de stekker uit het toestel trekt voordat u met reinigen begint.
-  Gebruik nooit scherpe voorwerpen, zeep, huishoudproducten, afwasmiddel of boenwas om te poetsen.
-  Gebruik lauwwarm water om de kast van uw koelkast schoon te maken en wrijf deze droog.
-  Gebruik een vochtige doek, uitgewrongen in een oplossing van één koffielepel natriumbicarbonaat voor 50 cl water, om de binnenkant schoon te maken en wrijf vervolgens droog.
-  Zorg ervoor dat er geen water in de lamp en andere elektrische onderdelen binnensijpelt.
-  Als uw koelkast voor een lange periode niet zal worden gebruikt, trek dan de stroomkabel uit, verwijder alle etenswaren, maak de koelkast schoon en laat de deur op een kier staan.
-  Kijk de deurgrendels regelmatig na om u ervan te overtuigen dat ze schoon en vrij van etensresten zijn.
-  Om deurroosters te verwijderen, verwijder de inhoud en druk het deurrooster vervolgens eenvoudigweg naar boven vanaf de basis.
-  Gebruik nooit reinigingsmiddelen of water dat chloor bevat om de buitenkant en de verchromde onderdelen van het product te reinigen. Chloor veroorzaakt corrosie op dergelijke metalen oppervlakken.

Bescherming van de plastic oppervlakken

-  Plaats geen vloeibare olie of in olie bereide maaltijden in uw koelkast in onafgedichte bakjes. Deze kunnen de plastic oppervlakken van uw koelkast beschadigen. Mocht u olie morsen op de kunststof oppervlakken, reinig dit deel van het oppervlak dan direct met warm water en spoel af.

7 Aanbevolen oplossingen voor problemen

Controleer de volgende punten voordat u de onderhoudsdienst belt. Dit kan u tijd en geld besparen. Deze lijst omvat regelmatige klachten die niet voortkomen uit defect vakmanschap of materiaalgebruik. Het is mogelijk dat bepaalde functies die hier beschreven zijn niet tot uw product behoren.

De koelkast werkt niet.

- Zit de stekker van de koelkast goed in het stopcontact? Steek de stekker in het stopcontact.
- Is de zekering van het stopcontact waarop de koelkast is aangesloten of de hoofdzekering gesprongen? Controleer de zekering.

Condensvorming langs de wand van het koelgedeelte (MULTI ZONE, COOL CONTROL en FLEXI ZONE).

- Zeer koude omgevingsomstandigheden. Regelmatig openen en sluiten van de deur. Zeer vochtige omgevingsomstandigheden. Bewaren van levensmiddelen met vloeistof in open bakjes. De deur staat op een kier. Zet de thermostaat kouder.
- Zorg dat de deur minder lang open staat of dat deze minder vaak wordt geopend.
- Dek de eetwaar die in open bakjes wordt bewaard af met een daarvoor geschikt materiaal.
- Veeg condens af met een droge doek en controleer of condensvorming aanhoudt.

De compressor draait niet.

- Thermische bescherming van de compressor kan springen gedurende plotselinge stroomuitval of afsluiting van de stroomtoevoer wanneer de druk van het koelmiddel in het koelsysteem van de koelkast niet in balans is. De koelkast gaat na ongeveer 6 minuten draaien. Neem contact op met de onderhoudsdienst wanneer uw koelkast na deze periode niet start.
- De koelkast zit in een ontdooicyclus. Dit is normaal voor een volledig automatisch ontdooiende koelkast. Ontdooicyclus vindt periodiek plaats.
- De stekker van uw koelkast steekt niet in het stopcontact. Zorg ervoor dat de stekker correct in het stopcontact is gestoken.
- Zijn de temperatuurinstellingen goed ingesteld?
- De stroom werd mogelijk onderbroken.

De koelkast werkt frequent of gedurende lange tijd.

- Uw nieuwe product kan breder zijn dan de vorige. Dit is normaal. Grote koelkasten werken gedurende langere tijd.
- De omgevingstemperatuur kan hoog zijn. Dit is normaal.
- De stekker van de koelkast kan onlangs ingestoken zijn of de koelkast kan zijn volgeladen met etenswaren. Het compleet afkoelen van de koelkast kan enkele uren langer in beslag nemen.
- Grote hoeveelheden warme levensmiddelen kunnen recentelijk in de koelkast zijn geplaatst. Warme levensmiddelen maken dat de koelkast langer werkt tot deze eetwaar de veilige bewaartemperatuur heeft bereikt.
- Deuren kunnen regelmatig geopend zijn of gedurende enige tijd op een kier hebben gestaan. De warme lucht die in de koelkast is binnengekomen maakt dat de koelkast langer werkt. Open de deuren minder vaak.
- De deur van het diepvries- of koelgedeelte kan op een kier hebben gestaan. Controleer of de deuren goed gesloten zijn.
- De koelkast is zeer koud ingesteld. Stel de koelkasttemperatuur hoger en wacht tot de temperatuur wordt bereikt.
- Deurafdichting van de koelkast of diepvriezer kan vuil, versleten, gebroken of niet goed geplaatst zijn. Maak de afdichting schoon of vervang deze. Een beschadigde/gebroken afdichting maakt dat de koelkast langer moet werken om de huidige temperatuur te handhaven.

Diepvriestemperatuur is erg laag terwijl de koelkasttemperatuur voldoende is.

- De diepvriestemperatuur is zeer koud ingesteld. Stel de diepvriezertemperatuur hoger in en controleer.

Koelkasttemperatuur is erg laag terwijl de diepvries temperatuur voldoende is.

- De koelkasttemperatuur is mogelijk zeer koud ingesteld. Stel de koelkasttemperatuur hoger in en controleer.

Etenswaren die in laden van het koelgedeelte worden bewaard, bevroren.

- De koelkasttemperatuur is mogelijk zeer koud ingesteld. Stel de koelkasttemperatuur hoger in en controleer.

Temperatuur in de koelkast of diepvriezer is zeer hoog.
<ul style="list-style-type: none"> De koelkasttemperatuur is mogelijk zeer warm ingesteld. Koelkastinstelling is van invloed op de temperatuur van de diepvriezer. Verander de temperatuur van de koelkast of diepvriezer totdat de temperatuur van de koelkast of diepvriezer het gewenste niveau bereikt. Deuren kunnen regelmatig geopend zijn of gedurende enige tijd op een kier hebben gestaan; doe ze minder vaak open. De deur is mogelijk op een kier blijven staan; doe de deur volledig dicht. Grote hoeveelheden warme levensmiddelen kunnen recentelijk in de koelkast zijn geplaatst. Wacht tot de koelkast of diepvriezer de gewenste temperatuur heeft bereikt. De koelkast kan recentelijk ingeschakeld zijn. Het kost tijd om de koelkast volledig te laten afkoelen.
Het werkingsgeluid neemt toe wanneer de koelkast werkt.
<ul style="list-style-type: none"> De werking van de koelkast kan veranderen als gevolg van wijzigingen in de omgevingstemperatuur. Dit is normaal en geen defect.
Vibratie of geluid.
<ul style="list-style-type: none"> De vloer is niet gelijk of is zwak. De koelkast kantelt een beetje wanneer langzaam wordt bewogen. Zorg dat de vloer vlak vlak en sterk genoeg is om de koelkast te dragen. Het geluid kan worden veroorzaakt door voorwerpen die op de koelkast zijn geplaatst. Voorwerpen bovenop de koelkast moeten worden verwijderd.
Een geluid van morsende of sprayende vloeistof komt uit de koelkast.
<ul style="list-style-type: none"> Vloeistof- en gasstromen vinden plaats conform de werkingsprincipes van uw koelkast. Dit is normaal en geen defect.
Een geluid van wind die blaast.
<ul style="list-style-type: none"> Er worden ventilatoren gebruikt om de koelkast te koelen. Dit is normaal en geen defect.
Condens op de binnenwanden van de koelkast.
<ul style="list-style-type: none"> Met warm en vochtig weer neemt ijs- en condensvorming toe. Dit is normaal en geen defect. De deuren kunnen op een kier hebben gestaan, zorg ervoor dat de deuren volledig gesloten zijn. Deuren kunnen regelmatig geopend zijn of gedurende enige tijd op een kier hebben gestaan; doe ze minder vaak open.
Vocht aan de buitenkant van de koelkast of tussen de deuren.
<ul style="list-style-type: none"> De lucht is mogelijk vochtig; dit is vrij normaal bij vochtig weer. Wanneer de vochtigheid minder wordt, zal de condens verdwijnen.
Slechte geur binnenin de koelkast.
<ul style="list-style-type: none"> De binnenkant van de koelkast moet gereinigd worden. Maak de binnenkant van de koelkast schoon met een spons met lauw of sodawater. Sommige bakjes of verpakkingsmaterialen kunnen de geur veroorzaken. Gebruik een ander bakje of ander soort verpakkingsmateriaal.
De deur sluit niet.
<ul style="list-style-type: none"> Het kan zijn dat voedselpakketjes veroorzaken dat de deur niet sluit. Verplaats de pakketjes die de deur belemmeren. De koelkast staat niet volledig waterpas op de vloer en wiebelt wanneer ze lichtjes wordt verplaatst. Stel de hoogteschroeven anders in. De vloer is niet gelijk of stevig. Zorg dat de vloer vlak is en de koelkast kan dragen.
Groenteladen zitten vast.
<ul style="list-style-type: none"> De levensmiddelen kunnen de bovenzijde van de lade raken. Herschik de levensmiddelen in de lade.

i De garantie is geldig gedurende de verwachte levensduur.

Leggere innanzitutto il manuale di istruzioni!


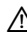

Gentile Cliente,
ci auguriamo che l'articolo da Lei scelto, prodotto in moderni stabilimenti e sottoposto ai più severi controlli di qualità, risponda interamente alle Sue esigenze.
A tal fine, La invitiamo a leggere attentamente il manuale di istruzioni del prodotto prima di procedere al suo utilizzo e di conservarlo per eventuali consultazioni future.

Il presente manuale

- Aiuterà l'utente ad utilizzare l'apparecchio in modo rapido e sicuro.
- Leggere le istruzioni per l'uso prima di installare e utilizzare il prodotto.
- Seguire attentamente le istruzioni, in particolare quelle inerenti alla sicurezza.
- Conservare il presente manuale in un luogo facilmente accessibile per eventuali future consultazioni.
- Leggere inoltre gli altri documenti forniti assieme al prodotto.
- Il presente manuale può essere valido anche per altri modelli.

Simboli e loro descrizione

Il manuale di istruzioni contiene i seguenti simboli:

-  Informazioni importanti o consigli utili di utilizzo.
-  Segnale di avvertimento in caso di situazioni pericolose per la persona o i beni.
-  Avvertimento in caso di problemi con il voltaggio.



AVVERTENZA!

Per garantire il funzionamento adeguato dell'elettrodomestico, che utilizza il refrigerante R600a completamente adatto all'ambiente (inflammabile solo in determinate condizioni), è necessario attenersi alle seguenti regole:

- Non ostacolare la libera circolazione dell'aria attorno all'elettrodomestico.
- Per accelerare lo sbrinamento non utilizzare dispositivi meccanici diversi da quelli consigliati dal produttore.
- Non danneggiare il circuito refrigerante.
- Non utilizzare all'interno del comparto del cibo elettrodomestici diversi da quelli consigliati dal produttore.

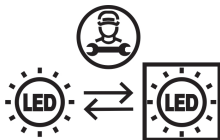
INFORMAZIONI



Le informazioni sul modello memorizzate nella banca dati dei prodotti possono essere consultate sul seguente sito web, cercando l'identificativo del modello (*) presente sull'etichetta energetica.

<https://eprel.ec.europa.eu/>

1 Il frigorifero	3	4 Preparazione	10
2 Importanti avvertenze per la sicurezza	4	5 Utilizzo del frigorifero	11
Uso previsto	4	Tasto di impostazione termostato	11
Sicurezza generale	4	Raffreddamento.....	12
Conformità con la Direttiva RoHS:	6	Congelamento.....	12
Sicurezza bambini	6	Sbrinamento	12
Avvertenza HCA	6	Arresto del prodotto	13
Cose da fare per risparmiare energia ...	6	Portabottiglie.....	13
3 Installazione	7	6 Manutenzione e pulizia	14
Punti da tenere in considerazione quando si trasporta nuovamente il frigorifero	7	Protezione delle superfici di plastica... 14	
Prima di utilizzare il frigorifero	7	7 Soluzioni consigliate per i problemi	15
Collegamento elettrico.....	7		
Smaltimento del materiale di imballaggio	8		
Smaltimento del vecchio frigorifero	8		
Posizionamento e installazione	8		
Sostituzione della lampadina interna...8			
Inversione degli sportelli.....	9		



Questo prodotto è dotato di una sorgente di illuminazione con classe energetica "G". La sorgente di illuminazione nel prodotto dovrà essere sostituita solo da professionisti nel campo della riparazione.

Riciclaggio

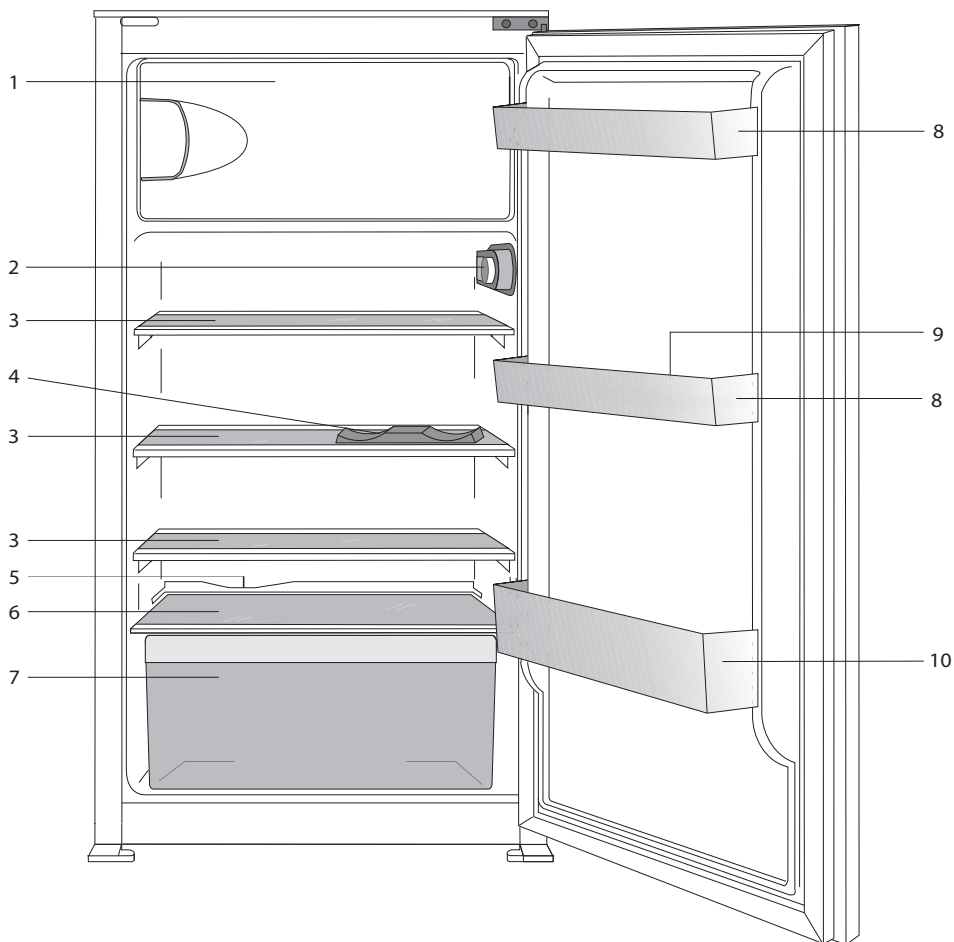


Questo prodotto riporta il simbolo di raccolta differenziata per le apparecchiature elettriche ed elettroniche di rifiuto (WEEE).

Ciò significa che il prodotto deve essere gestito in conformità alla direttiva europea 2012/19/EU in modo che durante il riciclaggio e lo smontaggio sia ridotto al minimo l'impatto sull'ambiente. Per ulteriori informazioni contattare le autorità locali o regionali.

I prodotti elettronici non inclusi nel processo di raccolta differenziata sono potenzialmente pericolosi per l'ambiente e la salute umana a causa della presenza di sostanze pericolose.

1 Il frigorifero



1. a.) Compartimento freezer e vaschetta del ghiaccio (per modelli ❄️❄️❄️)

b.) Compartimento cibo congelato e vaschetta del ghiaccio (per ❄️❄️ modelli)

2. Lampadina e termostato

3. Mensole amovibili

4. Portabottiglie

5. Canale di raccolta dell'acqua di sbrinatorio – tubo di drenaggio

6. Coperchio scomparto per frutta e verdura

7. Scomparto frutta e verdura

8. Mensole dello sportello regolabili

9. Scomparto per le uova

10. Ripiani bottiglie

ⓘ Le illustrazioni contenute in questa guida sono schematiche e potrebbero non corrispondere esattamente al prodotto in uso. Se le parti in oggetto non sono incluse nel prodotto acquistato, significa che sono da intendersi per altri modelli.

2 Importanti avvertenze per la sicurezza

Prendere in esame le seguenti informazioni. Se queste informazioni non vengono rispettate, possono verificarsi lesioni personali o danni materiali. Quindi tutte le garanzie e gli impegni sull'affidabilità diventerebbero privi di validità.

I pezzi di ricambio originali verranno forniti per 10 anni, successivamente alla data di acquisto del prodotto.

Uso previsto

- Questo apparecchio è destinato ad un uso domestico e applicazioni simili come:
 - aree destinate a cucina in negozi, uffici e altri ambienti di lavoro;
 - fattorie e da clienti in alberghi, motel e altri ambienti di tipo residenziale;
 - ambienti tipo bed and breakfast;
 - catering e simili applicazioni non commerciali.
- Non deve essere usato all'esterno. L'uso esterno non è appropriato anche se coperto da un tetto.

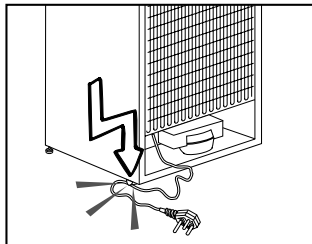
Sicurezza generale

- Quando si vuole smaltire/eliminare l'apparecchio, è consigliabile consultare il servizio autorizzato per apprendere le informazioni necessarie e conoscere gli enti autorizzati.
- Consultare il servizio di manutenzione autorizzato per tutti i problemi relativi al frigorifero. Non intervenire o far intervenire sul frigorifero senza informare il servizio manutenzione autorizzato.
- Non mangiare con gelati ghiacciati o cubetti di ghiaccio o gelati appena presi dal freezer! (possono provocare bruciature da freddo alla bocca). (Ciò potrebbe causare sintomi di congelamento in bocca).

- Non mettere bottiglie e lattine di bibite liquide nello scomparto del freezer. altrimenti potrebbero esplodere.
- Non toccare con le mani gli alimenti gelati; possono incollarsi ad esse.
- Il vapore e i materiali per la pulizia vaporizzati non devono mai essere usati per pulire e scongelare il frigorifero. In questo caso il vapore può entrare in contatto con le parti elettriche e provocare corto circuito o scossa elettrica.
- Non usare mai parti del frigorifero come lo sportello come mezzo di supporto o movimento.
- Non utilizzare dispositivi elettrici all'interno del frigorifero.
- Non danneggiare il circuito di raffreddamento, in cui circola il refrigerante, con utensili perforanti o taglienti. Il refrigerante può scoppiare quando i canali del gas dell'evaporatore, le estensioni dei tubi o le pellicole superficiali vengono punti e possono provocare irritazioni alla pelle e lesioni agli occhi.
- Non bloccare o coprire la ventilazione dell'elettrodomestico.
- Le riparazioni agli apparecchi elettrici devono essere eseguite solo da personale qualificato. Le riparazioni eseguite da personale non competente possono provocare danni all'utilizzatore.
- In caso di guasto o durante lavori di riparazione e manutenzione, scollegare la fornitura d'energia principale spegnendo il fusibile principale o scollegando la presa dell'apparecchio.
- Non tirare dal cavo quando si estrae la spina.
- Posizionare le bibite più alte molto vicine e in verticale
- Non conservare sostanze esplosive come aerosol con gas propellenti infiammabili nell'apparecchio.

- Non utilizzare apparecchiature meccaniche o altri mezzi diversi da quelli consigliati dal produttore, per accelerare il processo di sbrinamento.
- Questo apparecchio non deve essere usato da persone (compresi bambini) con capacità fisiche, sensoriali o mentali ridotte, o mancanza di esperienza e conoscenza, a meno che non ricevano la supervisione o le istruzioni per l'uso dell'apparecchio da parte di una persona responsabile della loro sicurezza.
- Non utilizzare frigoriferi danneggiati. Consultare il servizio assistenza in caso di dubbi.
- La sicurezza elettrica del frigorifero è garantita unicamente se il sistema di messa a terra dell'apparecchiatura è conforme agli standard.
- L'esposizione del prodotto a pioggia, neve, sole e vento è pericolosa per la sicurezza elettrica.
- Contattare l'assistenza autorizzata quando ci sono danni ai cavi ecc., in modo che non creino pericoli per l'utente.
- Non collegare mai il frigorifero alla presa a muro durante l'installazione, per evitare il rischio di morte o lesioni gravi.
- Questo frigorifero è destinato solo alla conservazione di alimenti. Non deve essere usato per altri fini.
- L'etichetta che descrive le specifiche tecniche del prodotto si trova a sinistra nella parte interna del frigorifero.
- Non collegare il frigorifero a sistemi di risparmio energetico poiché possono danneggiare l'apparecchio.
- Se il frigorifero presenta una luce blu, non guardarla usando dispositivi ottici.
- Se l'alimentazione è scollegata negli apparecchi controllati manualmente, attendere almeno 5 minuti prima di ricollegarla.

- Questo manuale deve essere trasferito al successivo proprietario del frigorifero, in caso di passaggio di proprietà.
- Quando si sposta l'apparecchio, assicurarsi di non danneggiare il cavo di alimentazione. Per evitare che il cavo di alimentazione si incendi, evitare di torcerlo. Non mettere oggetti pesanti sul cavo di alimentazione.



- Quando il frigorifero viene collegato alla rete, non toccare la presa di alimentazione con le mani bagnate.
- Non collegare il frigorifero alla rete se la presa elettrica è allentata.
- Non far schizzare l'acqua direttamente sulle parti esterne o interne del frigorifero per ragioni di sicurezza.
- Non spruzzare materiali infiammabili come gas propano, ecc. nelle vicinanze del frigorifero, a causa del rischio di incendio ed esplosioni.
- Non mettere oggetti pieni di acqua sopra al frigorifero poiché potrebbero provocare uno shock elettrico o un incendio.
- Non sovraccaricare il frigorifero con troppi alimenti. Gli alimenti in eccesso possono cadere quando viene aperto lo sportello, causando lesioni alla persona o danneggiando il frigorifero. Non mettere oggetti sopra al frigorifero poiché potrebbero cadere quando si apre o si chiude lo sportello dell'apparecchio.
- Materiali che richiedono determinate condizioni di temperatura come vaccini, farmaci termosensibili, materiali scientifici, ecc. non devono essere tenuti in frigorifero.

- Se il frigorifero non viene usato per molto tempo, deve essere scollegato dalla rete. Un problema nell'isolamento del cavo elettrico potrebbe provocare un incendio.
- La punta della spina elettrica deve essere regolarmente pulita altrimenti potrebbe provocare un incendio.
- La punta della spina deve essere pulita regolarmente con un panno asciutto; altrimenti può provocare un incendio.
- Il frigorifero potrebbe spostarsi quando i piedini regolabili non sono posizionati in modo fermo a terra. Usando i piedini regolabili si assicura che il frigorifero sia posizionato in modo stabile sul pavimento.
- Se il frigorifero ha una maniglia sullo sportello, non tirare l'apparecchio dalla maniglia quando lo si sposta, altrimenti la maniglia potrebbe staccarsi.
- Se è necessario utilizzare l'apparecchio vicino ad un altro frigorifero o un altro freezer, la distanza tra gli apparecchi deve essere almeno 8 cm. Altrimenti si può creare condensa sulle pareti laterali che sono l'una di fronte all'altra.

Conformità con la Direttiva RoHS:

- L'apparecchio acquistato è conforme alla Direttiva UE RoHS (2011/65/EU). Non contiene materiali pericolosi o proibiti specificati nella Direttiva.

Sicurezza bambini

- Se la porta ha un lucchetto, la chiave deve essere tenuta lontana dalla portata dei bambini.
- I bambini devono ricevere la supervisione necessaria ad assicurare che non giochino con l'apparecchio.

Avvertenza HCA

Se il prodotto è dotato di un sistema di raffreddamento che contiene R600a:

Questo gas è infiammabile. Pertanto, fare attenzione a non danneggiare il sistema di raffreddamento e le tubazioni durante l'uso e il trasporto. In caso di danni, tenere il prodotto lontano da potenziali fonti di incendio che possono provocarne l'incendio e ventilare la stanza in cui si trova l'unità.

Ignorare l'avvertenza se il prodotto è dotato di un sistema di raffreddamento che contiene R134a.

Si può vedere il gas usato nella produzione del dispositivo sull'etichetta informativa che si trova nella parte interna sinistra dello stesso. Non gettare mai il prodotto nel fuoco.

Cose da fare per risparmiare energia

- Non lasciare lo sportello del frigorifero aperto per lungo tempo.
- Non inserire cibo caldo o bevande calde nell'elettrodomestico.
- Non sovraccaricare il frigorifero impedendo la circolazione dell'aria al suo interno.
- Non installare il frigorifero sotto la luce diretta del sole o nelle vicinanze di forni, lavastoviglie o radiatori.
- Porre attenzione nel conservare il cibo in contenitori chiusi.
- La quantità massima di alimenti può essere posta nello scomparto freezer del frigorifero quando il ripiano o il cassetto dello scomparto freezer sono rimossi. Il valore di consumo energetico dichiarato per il frigorifero è stato stabilito con il ripiano o il cassetto dello scomparto freezer rimossi e con la quantità massima di alimenti caricata. Non c'è rischio nell'usare un ripiano o un cassetto secondo le forme e le dimensioni degli alimenti da congelare.
- Scongelare alimenti congelati nello scomparto frigo garantisce risparmio energetico e conserva la qualità degli alimenti.

3 Installazione

⚠ Ricordarsi che il fabbricante non è responsabile della mancata osservanza delle informazioni fornite nel manuale di istruzioni.

Punti da tenere in considerazione quando si trasporta nuovamente il frigorifero

1. Deve essere svuotato prima di ogni trasporto.
2. Scaffali, accessori, cestelli ecc. devono essere fissati nel frigorifero in modo sicuro per mezzo di nastro adesivo prima di essere di nuovo imballati.
3. L'imballaggio deve essere eseguito con nastro spesso e forte e le norme di trasporto devono essere scrupolosamente seguite.

Cose da non dimenticare...

Tutti i materiali riciclati sono una fonte indispensabile per la natura e per le nostre risorse naturali.

Se si vuole contribuire al riciclaggio di materiali da imballo, è necessario rivolgersi per ulteriori informazioni alle autorità locali per l'ambiente.

Prima di utilizzare il frigorifero

Prima di avviare l'uso del frigorifero, controllare quanto segue:

1. L'interno del frigorifero è asciutto e l'aria può circolare liberamente sul retro?
2. Pulire la parte interna del frigorifero come consigliato nella sezione "Manutenzione e pulizia".

3. Collegare il frigorifero alla presa a muro. Quando lo sportello del frigorifero viene aperto si accenderà la luce interna allo scomparto frigo.

4. Si sente un rumore quando il compressore si avvia. I liquidi e i gas sigillati nel sistema refrigerante possono produrre dei rumori, anche se il compressore non è in funzione; questo è abbastanza normale.

5. I bordi anteriori del frigorifero possono essere tiepidi. Questo è normale. Queste zone sono progettate per essere tiepide per evitare la condensazione.

Collegamento elettrico

Collegare il frigorifero ad una presa di messa a terra protetta da un fusibile della capacità appropriata.

Importante:

- Il collegamento deve essere conforme ai regolamenti nazionali.
- Il cavo di alimentazione deve essere facilmente accessibile dopo l'installazione.
- La tensione specificata deve essere pari a quella di rete.
- **Le prolunghere e le prese multiple non devono essere usate per il collegamento.**

⚠ Un cavo di alimentazione danneggiato deve essere sostituito da un elettricista qualificato.

⚠ L'apparecchio non deve essere usato finché non viene riparato! C'è pericolo di shock elettrico!

Smaltimento del materiale di imballaggio

I materiali di imballaggio potrebbero essere dannosi per i bambini. Tenere i materiali di imballaggio fuori dalla portata dei bambini o smaltirli classificandoli secondo le istruzioni sui rifiuti. Non smaltirli insieme ai normali rifiuti domestici.

L'imballaggio del frigorifero è prodotto con materiali riciclabili.

Smaltimento del vecchio frigorifero

Smaltimento del vecchio frigorifero senza danni per l'ambiente.

- Bisogna consultare il rivenditore autorizzato o il centro di raccolta rifiuti della propria città per quanto riguarda lo smaltimento del frigorifero.

Prima di smaltire il frigorifero, tagliare la spina elettrica e, se ci sono blocchi allo sportello, renderli inutilizzabili per proteggere i bambini da eventuali pericoli.

Posizionamento e installazione

⚠ Nel caso in cui la porta di ingresso della stanza in cui il frigorifero deve essere posizionato non è abbastanza grande per il passaggio del frigorifero, chiamare il servizio autorizzato per rimuovere le porte del frigorifero e per farlo passare attraverso la porta.

1. Installare il frigorifero in un luogo che ne permetta il facile utilizzo.

2. Tenere il frigorifero lontano da fonti di calore, luoghi umidi e luce diretta del sole.

3. Intorno al frigorifero deve esserci ventilazione appropriata per poter avere operatività efficiente. Se il frigorifero deve essere posizionato in un recesso della parete, è necessario porlo ad almeno 5 cm di distanza dal soffitto e a 5 cm dalla parete. Se il pavimento è coperto con un tappeto, il prodotto deve essere sollevato di 2,5 cm dal pavimento.

4. Posizionare l'elettrodomestico solo su superfici uniformi e piane per evitare dondolii.

5. Non tenere il frigorifero in ambienti con temperature inferiori ai 10°C.

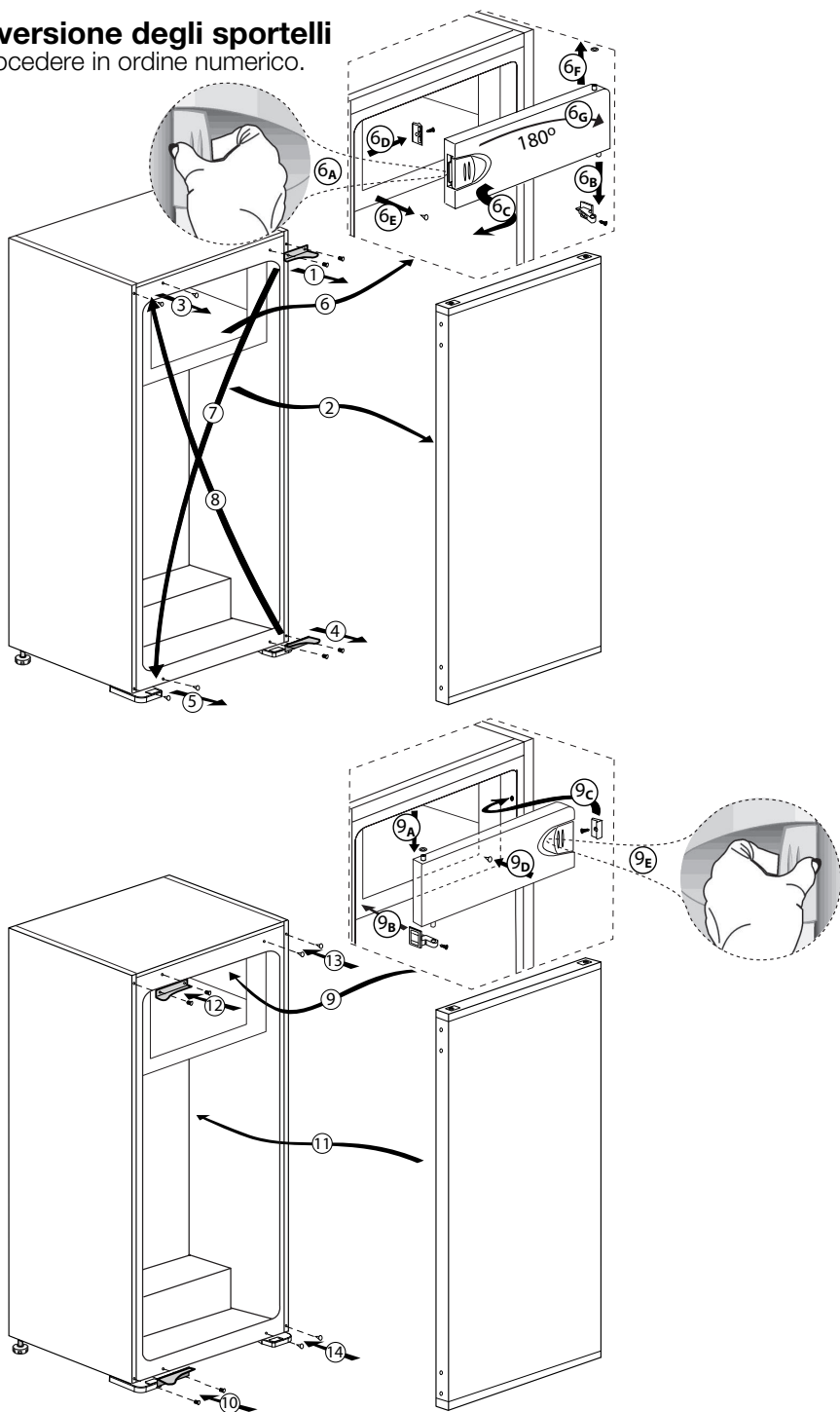
Sostituzione della lampadina interna

Per cambiare lampadina/LED utilizzati per illuminare il frigorifero, rivolgersi al Servizio Assistenza Autorizzato.

La lampada (le lampade) usata (usate) nell'apparecchiatura non è (sono) adatta (adatte) per l'illuminazione domestica. L'obiettivo previsto per questa lampada è quello di assistere l'utente in fase di posizionamento degli alimenti all'interno del frigorifero / congelatore in modo sicuro e comodo. Le lampadine utilizzate in questo apparecchio devono sopportare condizioni fisiche estreme come temperature inferiori a -20°C.

Inversione degli sportelli

Procedere in ordine numerico.

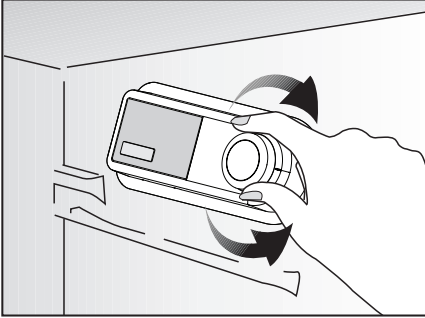


4 Preparazione

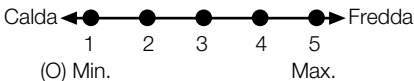
- i** Il frigorifero dovrà essere installato ad almeno 30 cm lontano da fonti di calore, come forni, riscaldamento centrale e stufe e ad almeno 5 cm da forni elettrici e non deve essere esposto alla luce diretta del sole.
- i** La temperatura ambiente della stanza in cui viene installato il frigorifero deve essere almeno 10°C . Usare il frigorifero in ambienti con temperatura inferiore non è consigliabile per motivi di efficienza.
- i** Assicurarsi che l'interno del frigorifero sia ben pulito.
- i** In caso di installazione di due frigoriferi l'uno accanto all'altro, devono esservi almeno 2 cm di distanza tra di loro.
- i** Quando il frigorifero viene messo in funzione per la prima volta, osservare le seguenti istruzioni per le prime sei ore.
 - La porta non si deve aprire frequentemente.
 - Deve funzionare vuoto senza alimenti all'interno.
 - Non staccare il frigo dalla presa di corrente. Se si verifica un calo di potenza al di là del controllo dell'utente, vedere le avvertenze nella sezione "Soluzioni consigliate per i problemi".
- i** Conservare i materiali originali di imballaggio per futuri trasporti o spostamenti.

5 Utilizzo del frigorifero

Tasto di impostazione termostato



La temperatura di funzionamento è regolata con il comando temperatura.



1 = impostazione raffreddamento minimo (Impostazione più calda)
5 = impostazione raffreddamento massimo (Impostazione più fredda)
(Oppure)

Min. = impostazione raffreddamento minimo
(Impostazione più calda)

Max. = impostazione raffreddamento massimo
(Impostazione più fredda)

La temperatura media all'interno del frigo dovrebbe essere intorno a +5°C. Scegliere l'impostazione secondo la temperatura desiderata. Si noti che ci saranno temperature diverse nell'area di raffreddamento.

La sezione più fredda è quella immediatamente sopra lo scomparto per le verdure.

La temperatura interna dipende anche dalla temperatura ambiente, dalla frequenza con cui lo sportello viene aperto e dalla quantità di cibo contenuto all'interno.

L'apertura frequente dello sportello provoca un aumento della temperatura interna.

Per questo motivo si consiglia di chiudere lo sportello subito dopo l'uso, il più velocemente possibile.

La temperatura interna del frigorifero cambia per le seguenti cause:

- Temperature stagionali.
- Apertura frequente dello sportello e sportello lasciato aperto per lunghi periodi.
- Alimenti messi nel frigorifero senza lasciarli prima raffreddare a temperatura ambiente.
- Posizionamento del frigorifero nella stanza (per esempio, esposizione alla luce solare).
- Qualora si verificano le suddette situazioni, è possibile adattare la temperatura interna del frigorifero utilizzando il termostato. I numeri riportati intorno al tasto indicano i gradi di raffreddamento.
- Se la temperatura ambiente è superiore ai 32°C, ruotare il tasto del termostato fino al punto massimo.
- Se la temperatura ambiente è inferiore ai 25°C, ruotare il tasto del termostato fino al punto minimo.

Raffreddamento

Conservazione alimenti

Lo scomparto frigo serve per la conservazione a breve termine di cibi freschi e bevande.

Congelamento

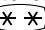
Congelamento alimenti

Il comparto freezer è segnalato da questo simbolo .

È possibile usare l'elettrodomestico per congelare cibi freschi ma anche per conservare cibi pre-congelati.

Vedere i consigli presenti sulle confezioni degli alimenti.

Conservazione di cibo congelato

Il comparto del cibo congelato è segnalato da questo simbolo .

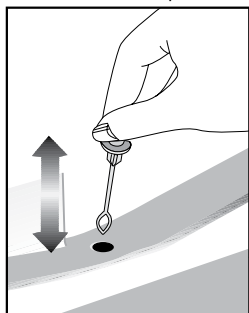
Il comprato del cibo congelato è adatto alla conservazione del cibo precongelato. È necessario osservare sempre i consigli per la conservazione riportati sulla confezione dei cibi.

Sbrinamento

A) Scomparto frigo

Lo scomparto frigo effettua l'operazione di sbrinamento in modo totalmente automatico. È possibile che durante la fase di sbrinamento del frigo si formi uno strato di brina fino a 7-8 mm sulla parete posteriore dello scomparto frigo. Tale fenomeno è una normale conseguenza del sistema di raffreddamento. La brina viene eliminata mediante uno sbrinamento automatico a intervalli, grazie al sistema di sbrinamento automatico posto sulla parete posteriore. Non è pertanto necessario raschiare la brina o rimuovere le gocce d'acqua. L'acqua che viene prodotta dallo sbrinamento passa per la scanalatura di raccolta dell'acqua e fluisce nell'evaporatore attraverso il tubo di scarico e da lì evapora.

Controllare regolarmente per vedere se il tubo di evaporazione è bloccato meno, e pulirlo con il bastoncino nel foro, quando necessario.



B) Scomparto freezer

Lo scomparto del surgelatore non effettua operazioni di sbrinamento automatico per evitare di compromettere l'integrità dei cibi congelati. Lo sbrinamento è diretto e senza problemi, grazie a un bacino speciale di raccolta per lo sbrinamento. Sbrinare due volte all'anno o quando si crea uno spessore di ghiaccio di circa 7 mm (1/4").

Per avviare la procedura di sbrinamento, spegnere l'elettrodomestico sulla presa e scollegare il cavo di alimentazione.

Quando si apre/chiede lo sportello dello scomparto bassa temperatura, tirare delicatamente l'aletta di chiusura (elemento 1).

Tutto il cibo deve essere incartato in diversi strati di carta di giornale e conservato in un luogo fresco (ad esempio un frigorifero o una dispensa).

È possibile porre con attenzione contenitori di acqua calda nel freezer per accelerare lo sbrinamento.

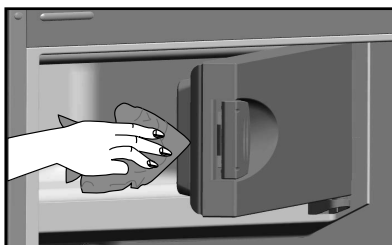
Non utilizzare oggetti appuntiti come coltelli o forchette per rimuovere il ghiaccio. Non utilizzare mai asciugacapelli, stufe o altri elettrodomestici simili per lo sbrinamento.

Pulire via l'acqua di sbrinamento raccolta nella parte inferiore dello scomparto freezer. Dopo lo sbrinamento, asciugare completamente l'interno (**elemento 2**).

Inserire la spina nella presa a muro e accendere l'alimentazione elettrica.



(elemento 1)



(elemento 2)

Arresto del prodotto

Se il termostato è dotato della posizione "0":

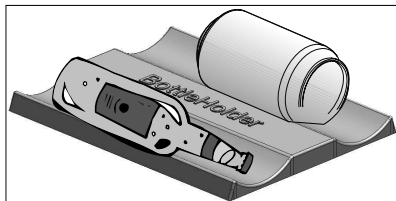
- Il prodotto smette di funzionare quando si porta il termostato in posizione "0" (zero). Il prodotto non si avvia a meno che non si porta di nuovo il termostato in posizione "1" o un'altra posizione.

Se il termostato è dotato della posizione "min":

- Scollegare il prodotto per arrestarlo.

Portabottiglie

Questo accessorio può essere usato per conservare bottiglie e lattine una di fianco all'altra.



6 Manutenzione e pulizia

- ⚠ Non usare mai gasolio, benzene o sostanze simili per scopi di pulizia.
- ⚠ È consigliato scollegare l'apparecchio prima della pulizia.
- ℹ Non utilizzare mai attrezzi appuntiti o sostanze abrasive, saponi, detergenti per la casa o cere per la pulizia.
- ℹ Utilizzare acqua tiepida per pulire l'alloggiamento del frigorifero e asciugarlo.
- ℹ Utilizzare un panno umido intriso di una soluzione composta da un cucchiaino di bicarbonato di soda e da circa mezzo litro di acqua e pulire l'interno, quindi asciugare.
- ⚠ Assicurarsi che l'acqua non penetri nel quadro di comando della temperatura.
- ⚠ Se il frigorifero non viene usato per un lungo periodo di tempo, scollegare il cavo di alimentazione, rimuovere tutti gli alimenti dal suo interno, pulirlo e lasciare la porta aperta.
- ℹ Controllare le guarnizioni della porta periodicamente per garantire che siano pulite e che non siano presenti particelle di cibo.
- ⚠ Per rimuovere il vassoio della porta, rimuovere tutto il contenuto e spingere semplicemente il vassoio verso l'alto.

Protezione delle superfici di plastica

- ℹ Non inserire oli liquidi o piatti cotti in olio nel frigorifero se in contenitori non sigillati poiché questi possono danneggiare le superfici in plastica del frigorifero. In caso di fuoriuscita di olio sulle superfici in plastica, pulire e asciugare le parti della superficie con acqua tiepida.

7 Soluzioni consigliate per i problemi

Prima di chiamare il servizio assistenza, rivedere la lista precedente. Si risparmierà tempo e denaro. Questa lista comprende frequenti reclami che non derivano da difetti di lavorazione o dai materiali utilizzati. Alcune delle funzioni descritte qui potrebbero non esistere nel proprio prodotto.

Il frigorifero non funziona.

- Il frigorifero è correttamente collegato alla corrente? Inserire la spina nella presa a muro.
- Il fusibile della presa a cui è collegato il frigorifero è funzionante o il fusibile principale è saltato? Controllare il fusibile.

Condensa sulla parete laterale dello scomparto frigo (MULTIZONE, COOL CONTROL e FLEXI ZONE).

- Ambiente in condizioni molto fredde. Apertura e chiusura frequente della porta. Ambiente in condizioni molto umide. Conservazione del cibo contenente liquidi in contenitori aperti. Porta lasciata aperta. Portare il termostato a temperatura inferiore.
- Diminuire il tempo di apertura della porta o aprirla meno frequentemente.
- Coprire il cibo contenuto in contenitori aperti con materiale adatto.
- Asciugare la condensa con un panno asciutto e controllare se continua.

Il compressore non funziona.

- La protezione termica del compressore è inattiva in caso di mancanza di corrente o di mancato collegamento alla presa, se il sistema refrigerante non è ancora stato regolato. Il frigorifero comincerà a funzionare dopo circa 6 minuti. . Chiamare il servizio assistenza se il frigorifero non inizia a funzionare al termine di questo periodo.
- Il frigorifero è nel ciclo di sbrinamento. Si tratta di una cosa per un frigorifero con sbrinamento completamente automatico. Il ciclo di sbrinamento si verifica periodicamente.
- L'elettrodomestico non è collegato alla presa. Accertarsi che la spina sia inserita in modo corretto nella presa.
- Le regolazioni di temperatura sono eseguite correttamente?
- Potrebbe esserci un'assenza di corrente.

Il freezer funziona frequentemente o per lunghi periodi.

- Il nuovo frigorifero è più grande del precedente. Ciò è abbastanza normale. I grandi frigoriferi lavorano per lunghi periodi di tempo.
- La temperatura ambiente può essere alta. Ciò è abbastanza normale.
- Il frigorifero è stato collegato alla presa di recente o è stato riempito di cibo. Lo sbrinamento completo del frigorifero può durare un paio d'ore.
- Grandi quantità di cibo caldo sono state recentemente inserite. I cibi caldi devono essere raffreddati fino alla temperatura ambiente prima di essere riposti nel frigorifero.
- La porta del freezer rimane aperta per un lungo periodo o le porte sono state aperte di frequente. L'aria tiepida entrata nel frigorifero ne provoca il funzionamento per un periodo più lungo. Aprire le porte meno frequentemente.
- La porta del frigorifero o del freezer è stata lasciata aperta. La/e porta/e non si chiude/chiudono.
- Il frigo è regolato a temperatura molto bassa. Regolare la temperatura del frigorifero ad un livello più alto e attendere fino a che la stessa sia acquisita.
- La chiusura della porta del frigorifero o del freezer può essere usurata, rotta o non inserita in modo appropriato. Pulire o sostituire la guarnizione. Guarnizioni rotte o danneggiate provocano il funzionamento del frigo per periodi più lunghi per mantenere la temperatura corrente.

La temperatura ambiente è molto bassa mentre la temperatura del frigorifero è sufficiente.

- Il frigo è regolato a temperatura molto bassa. Regolare la temperatura ad un livello più alto e controllare.

La temperatura ambiente è molto bassa mentre la temperatura del freezer è sufficiente.

- Il frigorifero potrebbe essere stato regolato a temperatura molto bassa. Regolare la temperatura ad un livello più alto e controllare.

Il cibo che è nei cassetti dello scomparto frigo si sta congelando.

- Il frigorifero potrebbe essere stato regolato a temperatura molto bassa. Regolare la temperatura ad un livello più alto e controllare.

La temperatura del frigo o freezer è molto alta.
<ul style="list-style-type: none"> • Il frigorifero potrebbe essere stato regolato a temperatura molto alta. La regolazione del frigorifero provoca effetti sulla temperatura del freezer. Cambiare la temperatura di frigo o freezer fino a che essa non raggiunge un livello sufficiente. • La porta del freezer rimane aperta per un lungo periodo o le porte sono state aperte di frequente; aprire con minore frequenza. • La porta potrebbe essere rimasta aperta; chiudere la porta completamente. • Grandi quantità di cibo caldo sono state recentemente inserite. Attendere fino a che il frigorifero o freezer non raggiungono la temperatura desiderata. • Il frigorifero è stato collegato alla presa di recente. Lo sbrinamento completo del frigorifero ha bisogno di tempo.
Il rumore aumenta quando il frigorifero sta lavorando.
<ul style="list-style-type: none"> • La performance operativa del frigorifero può cambiare secondo i cambiamenti della temperatura ambiente. Si tratta di una cosa normale e non di un guasto.
Vibrazioni o rumore.
<ul style="list-style-type: none"> • Il pavimento non è orizzontale o è debole. Il frigorifero ondeggia quando si sposta lentamente. Accertarsi che il pavimento sia in piano e forte abbastanza da sopportare il frigorifero. • Il rumore potrebbe essere provocato dagli oggetti nel frigorifero. Bisogna rimuovere gli oggetti sopra al frigorifero.
Ci sono rumori che provengono dal frigorifero come gocciolamenti o spruzzo di liquidi.
<ul style="list-style-type: none"> • Il flusso di liquido e gas si verifica secondo i principi operativi del frigorifero. Si tratta di una cosa normale e non di un guasto.
C'è un rumore come vento che soffia.
<ul style="list-style-type: none"> • Le ventole sono usate per raffreddare il frigorifero. Si tratta di una cosa normale e non di un guasto.
Condensa sulla parete interna del frigorifero.
<ul style="list-style-type: none"> • Il clima caldo/umido aumenta il ghiaccio e la condensa. Si tratta di una cosa normale e non di un guasto. • Le porte potrebbero essere state lasciate aperte; assicurarsi che sono completamente chiuse. • La porta del freezer rimane aperta per un lungo periodo o le porte sono state aperte di frequente; aprire con minore frequenza.
Umidità al di fuori del frigorifero o tra le porte.
<ul style="list-style-type: none"> • Potrebbe esserci umidità nell'aria; questo è normale nei climi umidi. Al diminuire dell'umidità, la condensa scompare.
Odore cattivo dentro al frigorifero.
<ul style="list-style-type: none"> • L'interno del frigorifero deve essere pulito. Pulire l'interno con una spugna, acqua tiepida o carbonata. • Alcuni contenitori o alcuni materiali per la confezione possono provocare odori. Usare contenitori diversi o marche diverse.
La porta non è chiusa.
<ul style="list-style-type: none"> • Il cibo impedisce la chiusura della porta. Sostituire le confezioni che ostruiscono la porta. • Il frigorifero non è completamente verticale sul pavimento e rotola quando è spostato leggermente. Regolare le viti di elevazione. • Il pavimento non è orizzontale o forte. Accertarsi che il pavimento sia in piano, forte e in grado di sopportare il frigorifero.
Gli scomparti frutta e verdura sono bloccati.
<ul style="list-style-type: none"> • Il cibo potrebbe toccare il tetto del cassetto. Risistemare il cibo nel cassetto.

Einbau-Kühlschrank



BSSA210K4SN

EAN: 8690842487002

Notizen

- Schlepptürtechnik
- 123er Nische
- 175 Liter Nutzinhalt
- nur 35 dB

Allgemein:

Typ: Einbau-Kühlschrank

Nettovolumen gesamt (l): 175

Gefrierfach: Ja

SmoothFit: Nein

ProSmart Inverter Kompressor: Nein

Einbau-Gerät: Ja

Display: Nein

Kühlmittel: R600a

Höhenverstellbare Füße: Ja

Kompressoren – Anzahl: 1

Temperatursteuerung: mechanisch

Farbe: Weiß

Kühlsystem: MinFrost

10 Jahre Kompressorgarantie: Nein

Türbefestigung Einbau: Schlepptür

Display Position: ---

Unterbaufähig: Nein

Türanschlag: rechts, wechselbar

Anzahl unabhängiger Kühlkreisläufe: 1

Einbau-Kühlschrank

Ausstattung Kühlbereich:

Nettovolumen Kühlbereich (l): 156
 Anzahl Ablagen: 4
 Anzahl Türablagen volle Breite: 3
 Eierbehälter Anzahl: 1
 Snack-Schublade: Nein
 Innenbeleuchtung: Ja
 Flaschenhalter: Ja
 Anzahl Gemüseschubladen: 1

Anzahl Ablagen verstellbar: 3
 Anzahl Türablagen halbe Breite: 0
 Butterfach: Nein
 Material Fachböden: Glas
 Position Innenbeleuchtung: oben
 Chrom-Flaschenregal: Nein

Features Kühlen

0°C-Zone: Nein
 Active Fresh Blue Light: Nein
 FreshGuard: Nein
 Geruchsfilter: Nein
 Schnellkühlen: Nein
 Türalarm: Nein

Everfresh+: Nein
 Harvest Fresh: Nein
 Ionizer: Nein
 Abtauung: automatisch
 Urlaubsmodus: Nein
 Temperaturalarm: Nein

Ausstattung Gefrierfach:

Nettovolumen Gefrierbereich (l): 19
 Eiswürfelschalen Anzahl: 1
 Abtauung: manuell
 Lagerzeit bei Störung (h): 13
 Türalarm: Nein

Anzahl Sterne: 4
 Kühlakkus Anzahl: 0
 Gefrierkapazität (kg/24h): 2
 Schnellgefrieren: Nein
 Temperaturalarm: Nein

Verbrauchswerte (VO (EU) 2019/2019)

Energieeffizienzindex (EEI):	99,7
Energieeffizienzklasse:	E*
Luftschallemissionen (in dB(A) re 1 pW):	35
Luftschallemissionsklasse	B*
Jährlicher Energieverbrauch (kWh / Jahr):	152
Klimaklasse:	SN-ST
Art der Lichtquelle:	LED
Klasse für die Lichtquelle:	G*

* Auf einer Skala von A (höchste Effizienz) bis G (niedrigste Effizienz)

Technische Daten

Frequenz (Hz): 50
 Kabellänge (cm): 210

Eingangsspannung (V): 220-240

Einbau-Kühlschrank

Maße und Gewicht

Unverpackt

Höhe (mm): 1215

Tiefe (mm): 545

Breite (mm): 540

Gewicht (kg): 38,5

Verpackt

Höhe (mm): 1290

Tiefe (mm): 600

Breite (mm): 575

Gewicht (kg): 42,2



Beko

BSSA210K4SN 7520320025



152 kWh/annum



19 L



156 L



35 dB

ABCD

2019/2016

Produktdatenblatt

Name oder Handelsmarke des Lieferanten (b),(d):		Beko			
Anschrift des Lieferanten (b),(d):		Arctic S.A Gaesti, Dambovita, 13 Decembrie Street, No 210, Romania			
Modellkennung (d) :		BSSA210K4SN-7520320025			
Type of refrigerating appliance:		Kühlschrank mit Gefrierfach			
Geräuscharmes Gerät:	NEIN	Bauart:	Einbaugerät		
Weinlagerschrank:	NEIN	Anderes Kühlgerät:	JA		
Allgemeine Produktparameter:					
Parameter		Wert	Parameter		Wert
Gesamtabmessungen (in Millimeter)	Höhe	1215	Gesamtrauminhalt (in dm3 Breite x oder l)		175
	Breite	540	Energieeffizienzklasse		E
	Tiefe	545	Luftschallemissionsklasse		B
EEI	100	Klimaklasse:	Extended temperate /Subtropical		
Luftschallemissionsklasse(db(A) ref 1 pW)	35				
Jährlicher Energieverbrauch (in kWh/a)	152				
Höchstumgebungstemperatur (in °C), für die das Kühlgerät geeignet ist	10	Höchstumgebungstemperatur (in °C), für die das Kühlgerät geeignet ist		38	
Winterschaltung	NEIN				
Fachparameter:					
Fachtyp		Fachparameter und -werte			
		Rauminhalt des Fachs (in dm3 oder l)	Empfohlene Temperatur-einstellung für eine optimierte Lebensmittellagerung (in °C) Diese Einstellungen dürfen nicht im Widerspruch zu den Lagerbedingungen gemäß Anhang IV Tabelle 3 stehen;	Gefriervermögen (in kg/24h)	Entfrostsart (automatische Entfrostsung = A, manuelle Entfrostsung = M)
Speisekammerfach	NEIN	-	-	-	-
Weinlagerfach	NEIN	-	-	-	-
Kellerfach	NEIN	-	-	-	-
Lagerfach für frische Lebensmittel	JA	156	4	-	M
Kaltlagerfach	NEIN	-	-	-	-
Null-Sterne- oder Eisbereiterfach	NEIN	-	-	-	-
Ein-Stern-Fach	NEIN	-	-	-	-
Zwei-Sterne-Fach	NEIN	-	-	-	-
Drei-Sterne-Fach	NEIN	-	-	-	-
Vier-Sterne-Fach	JA	19	-18	2	M
Zwei-SterneAbteil	NEIN	-	-	-	-
Fach mit variabler Temperatur	NEIN	-	-	-	-
Für Vier-Sterne-Fächer					
Schnelleinfrierfunktion	NEIN				
Für Weinlagerschränke					
Anzahl der Standardweinflaschen	-				
Lichtquellenparameter (a) (b) :					
Art der Lichtquelle	LED				
Energieeffizienzklasse	G				
Mindestlaufzeit der vom Hersteller angebotenen Garantie (b),(d) :	24 Monate				
Weitere Angaben:					
Weblink zur Website des Herstellers, auf der die Informationen gemäß Nummer 4 Buchstabe a des Anhangs der Verordnung (EU) 2019/2019 der Kommission (1) (b) zu finden sind:					
http://support.beko.com					
<small>(a) Gemäß der Delegierten Verordnung (EU) 2019/2015 der Kommission (2). (b) Änderungen dieser Einträge gelten nicht als relevante Änderungen im Sinne des Artikels 4 Absatz 4 der Verordnung (EU) 2017/1369. (d) Dieser Eintrag gilt nicht als relevant im Sinne des Artikels 2 Absatz 6 der Verordnung (EU) 2017/1369</small>					