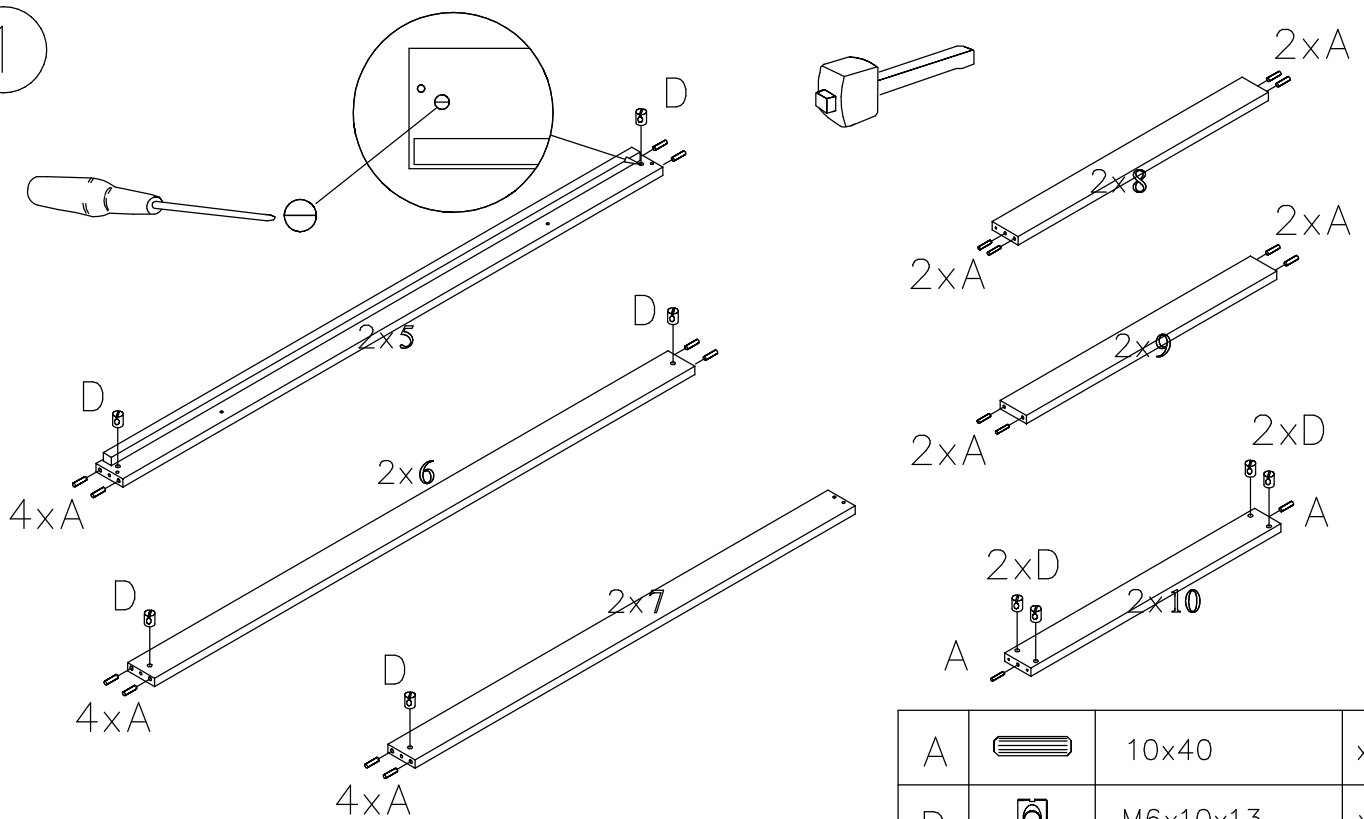


A		10x40	x40
B		6,3x90	x4
C		M6x90	x18
D		M6x10x13	x18
E		7x50	x12
F		M6x70	x1
G		M6x8x12x15	x1

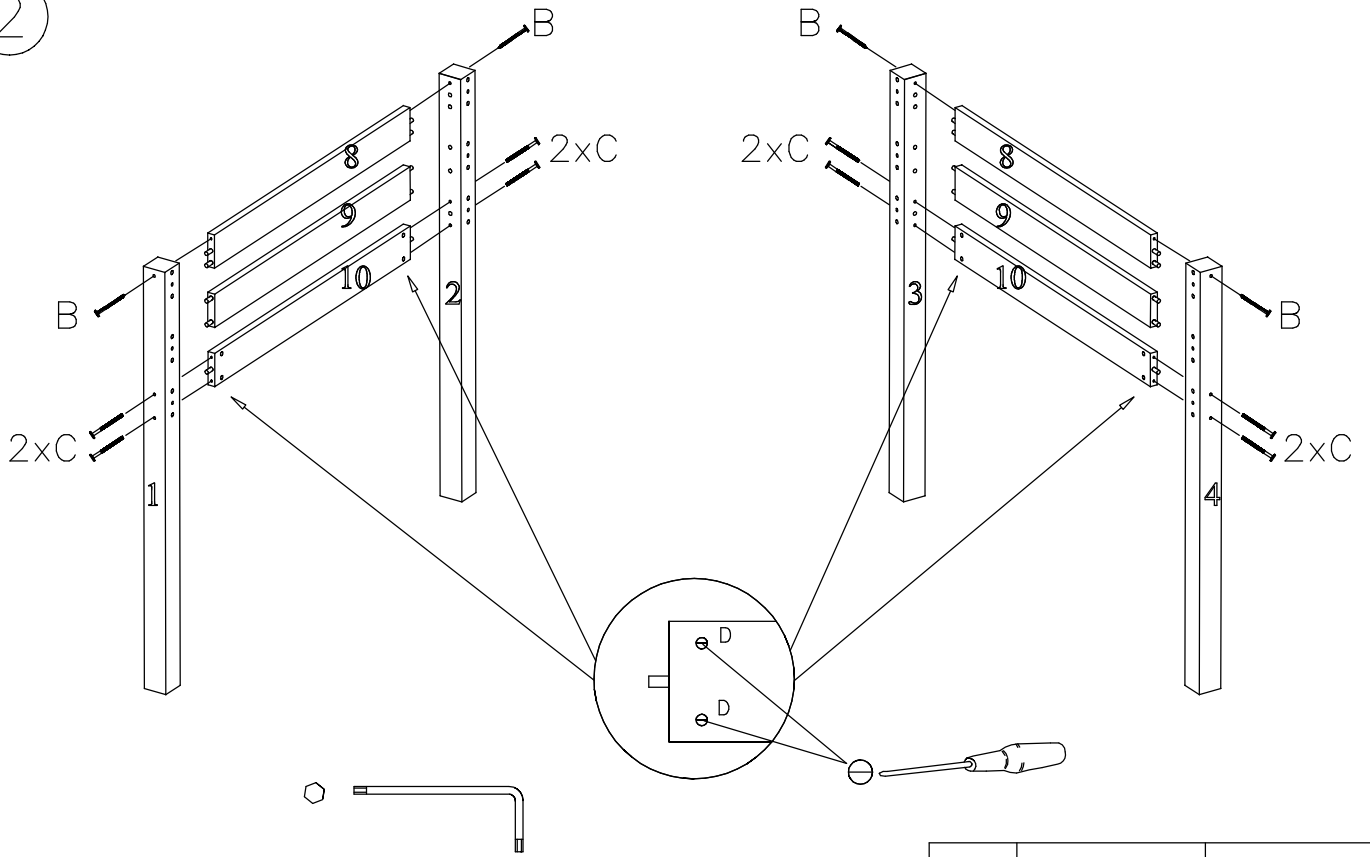
H		5,5x55	x6
K		3,5x40	x27
N		D8x13	x1
P		D4x13	x12
		4mm	x2

1



A		10x40	x40
D		M6x10x13	x18

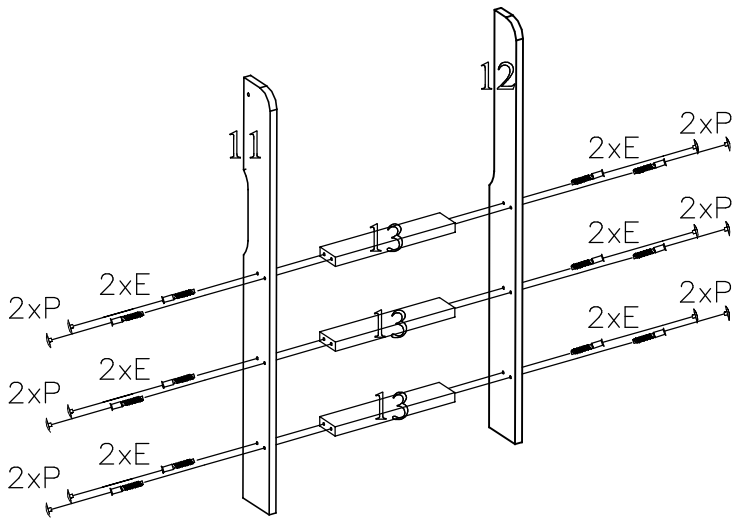
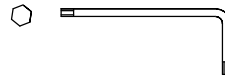
2



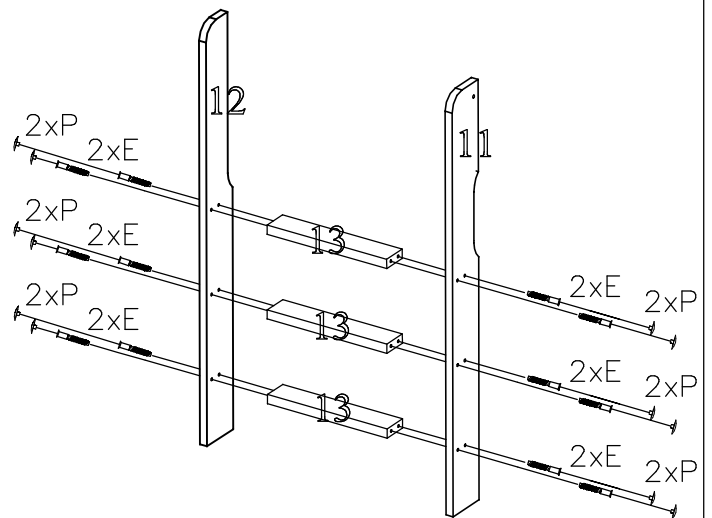
B		6,3x90	x4
C		M6x90	x8

3

ASSEMBLING LADDER LEFT SIDE



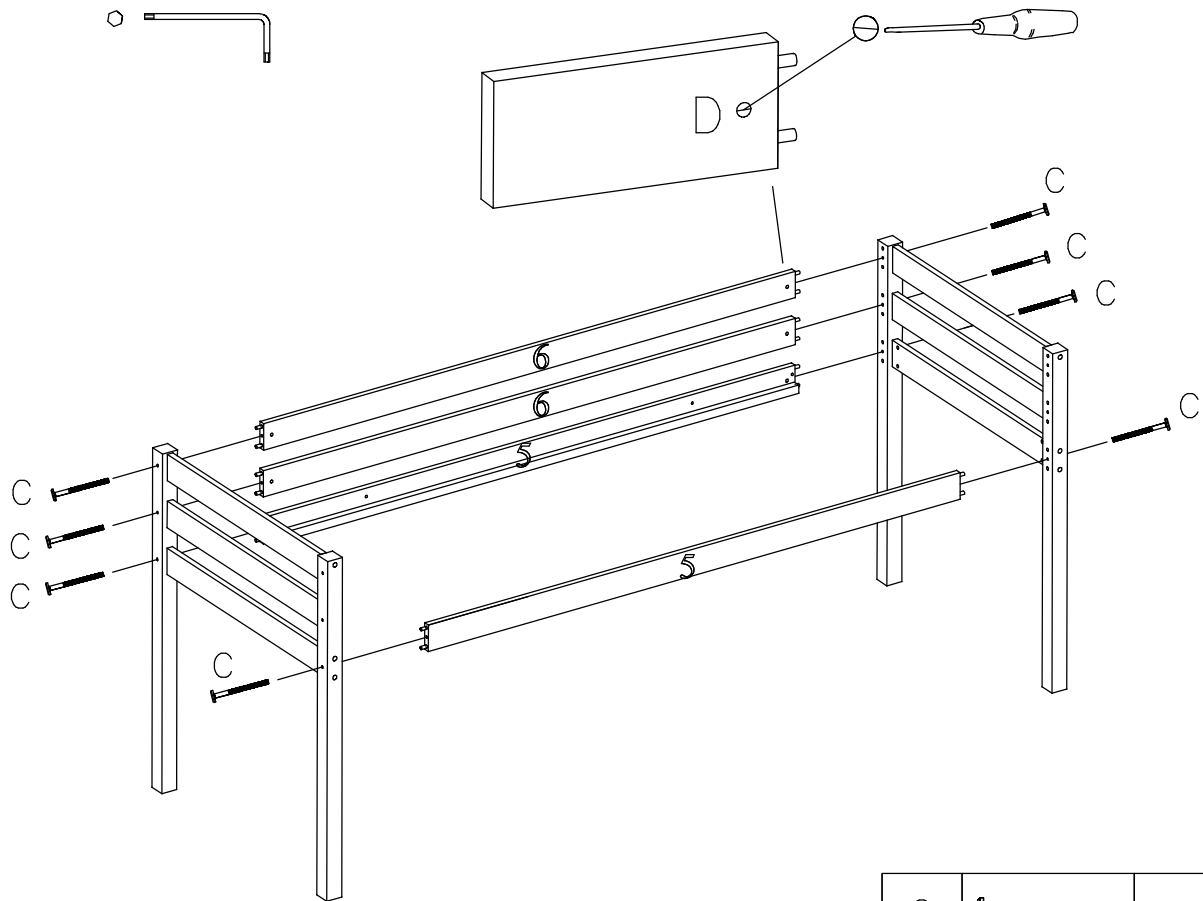
ASSEMBLING LADDER RIGHT SIDE




E		7x50	x12
---	--	------	-----

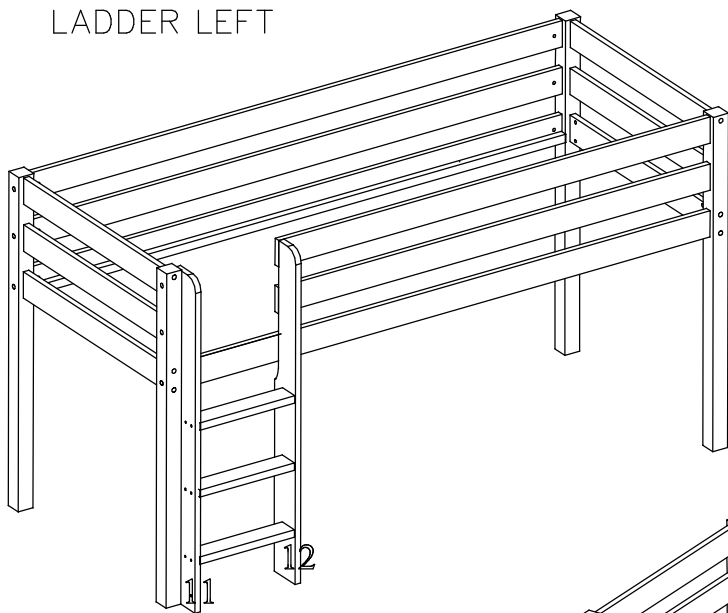
P		D4x13	x12
---	--	-------	-----

4

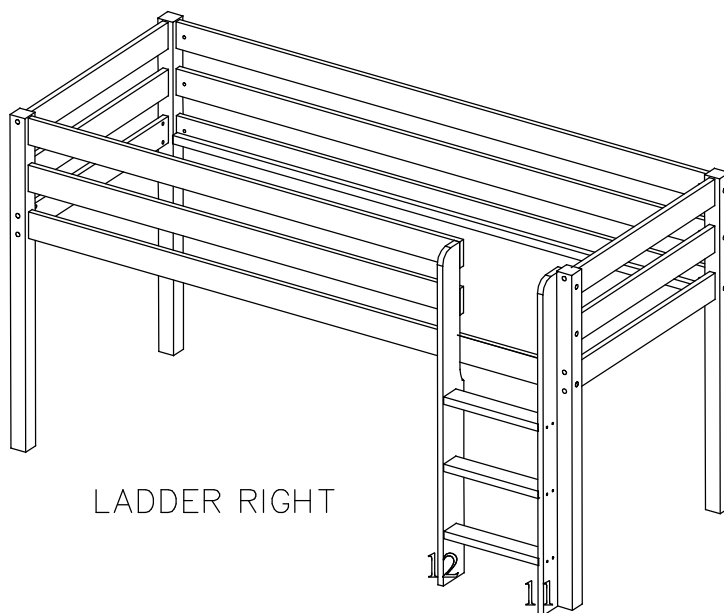


C		M6x90	x10
---	---	-------	-----

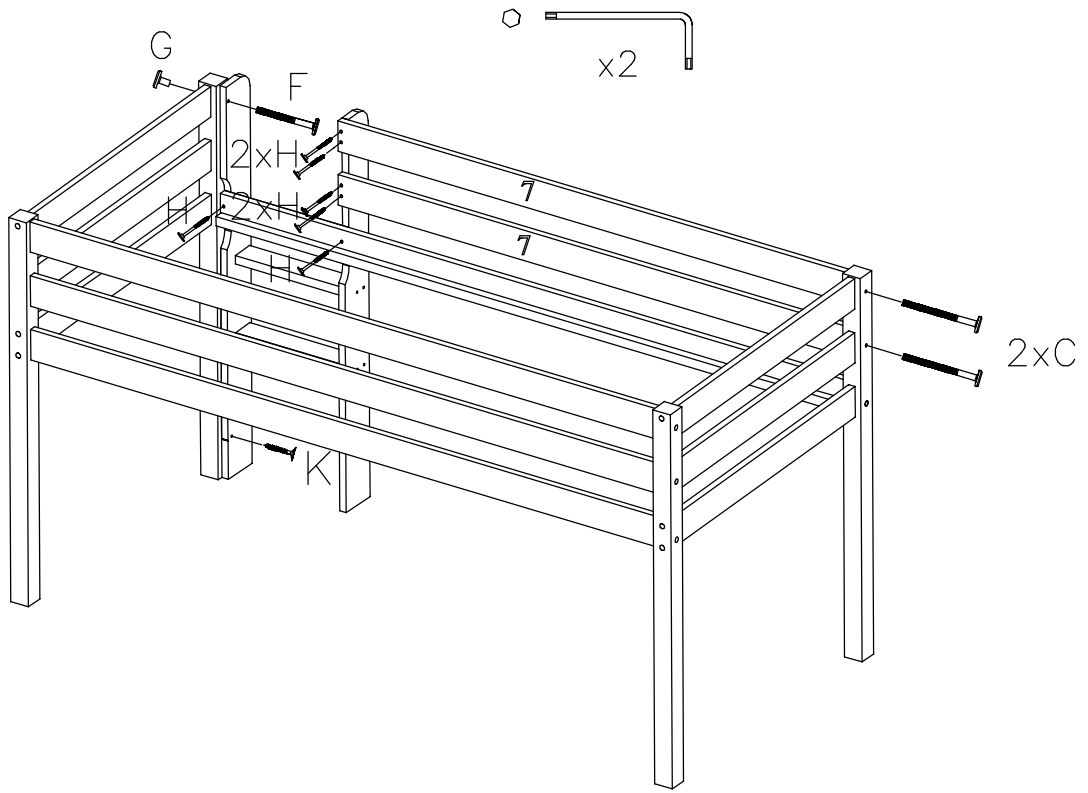
LADDER LEFT






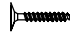

LADDER RIGHT



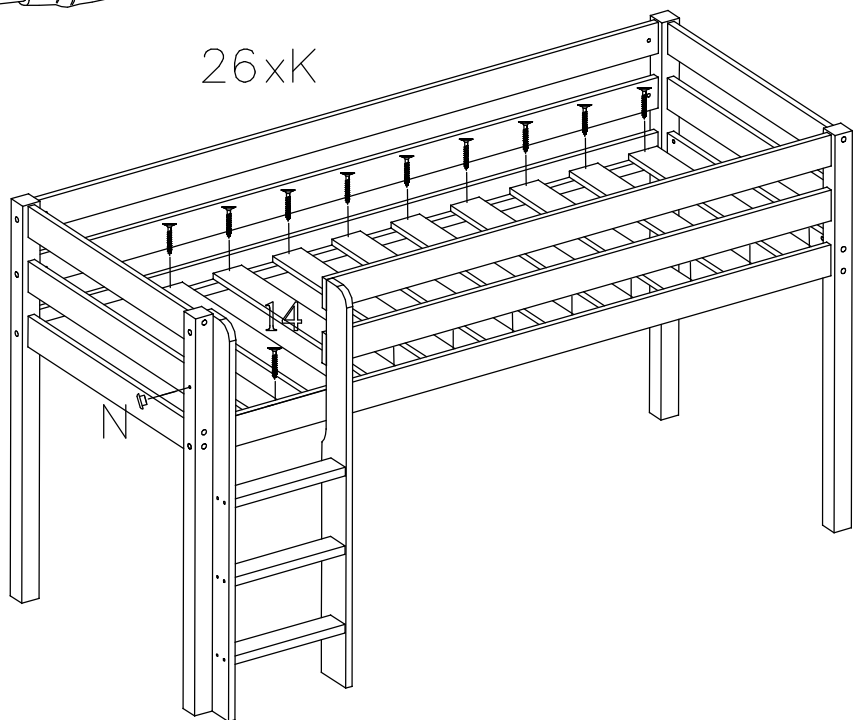
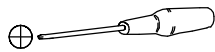
5





C		M6x90	x2
F		M6x70	x1
G		M6x8x12x15	x1

K		3,5x40	x1
H		5,5x55	x6

6



N		D8x13	x1
---	---	-------	----

K		3,5x40	x26
---	---	--------	-----