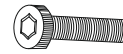
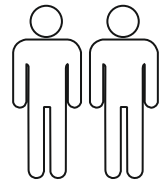
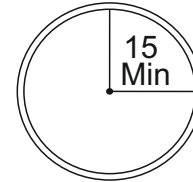
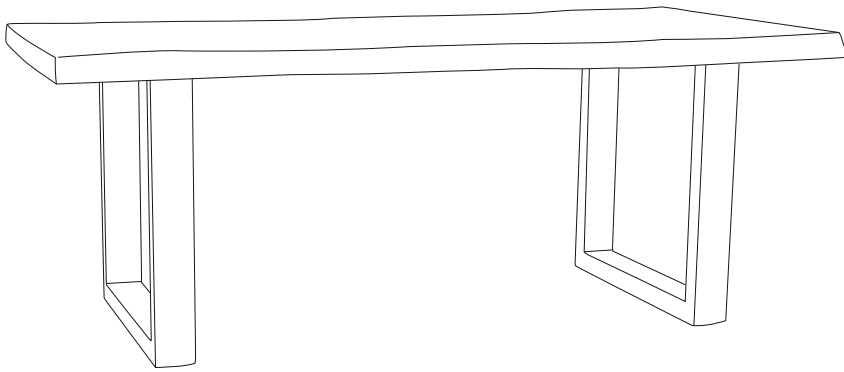


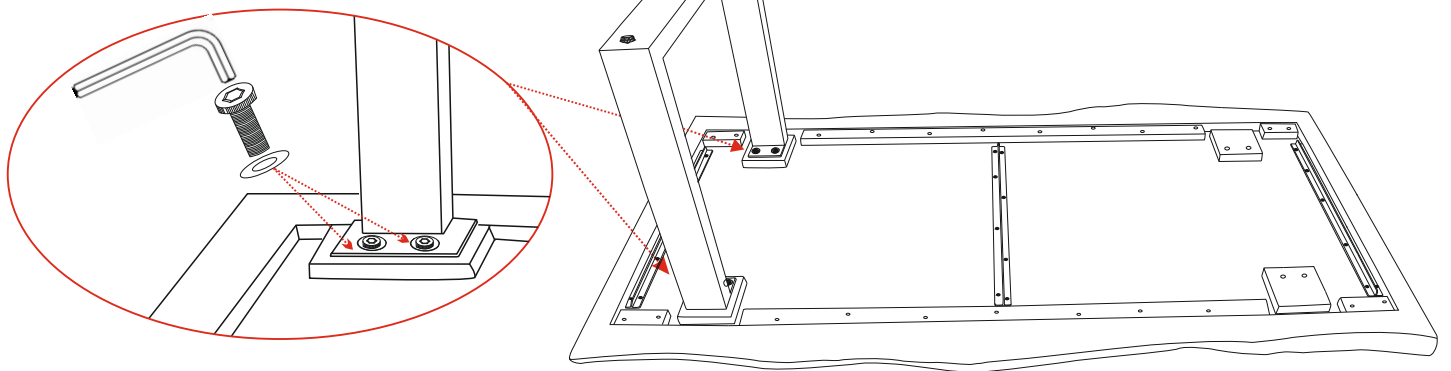
Art. No.66471-200



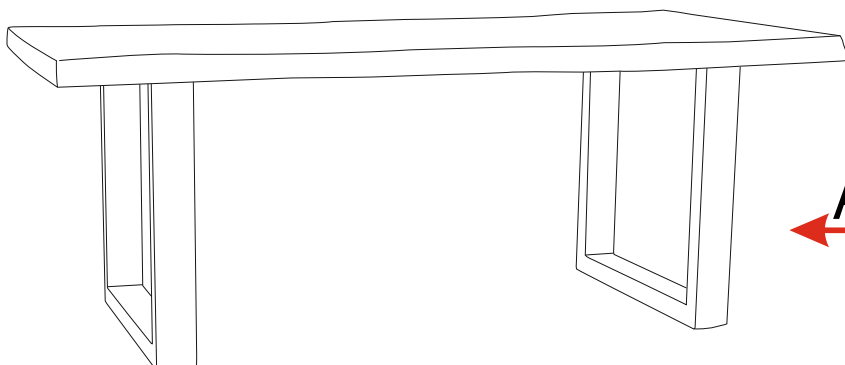
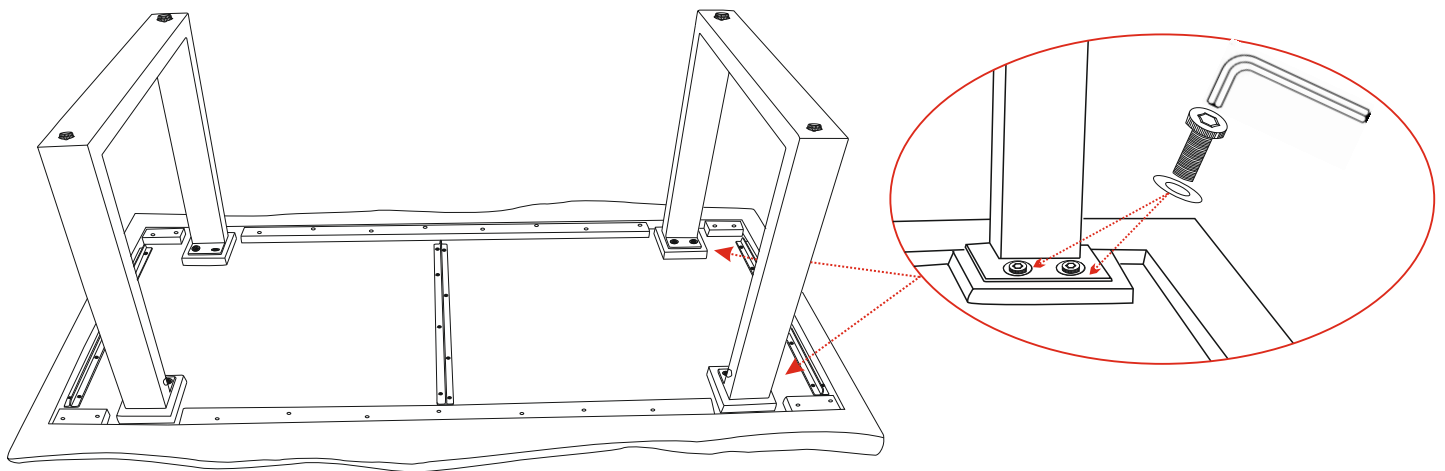
( 8x25mm )

( 8 Pcs. ) ( 8 Pcs. ) ( 1 Pcs. )

**Step-1**



**Step-2**



**← Assembled Product**