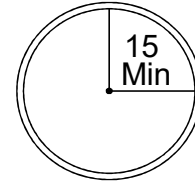
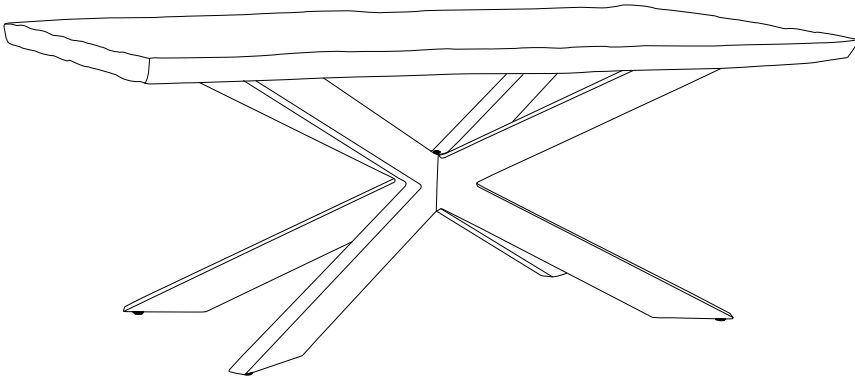
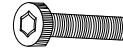
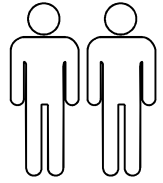


Art. No.66968-240



15
Min



(8x25mm)

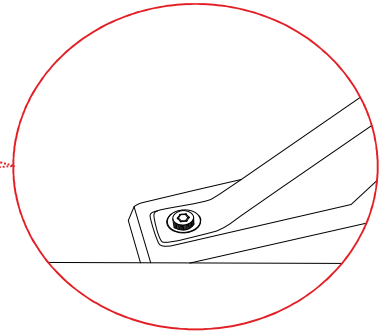
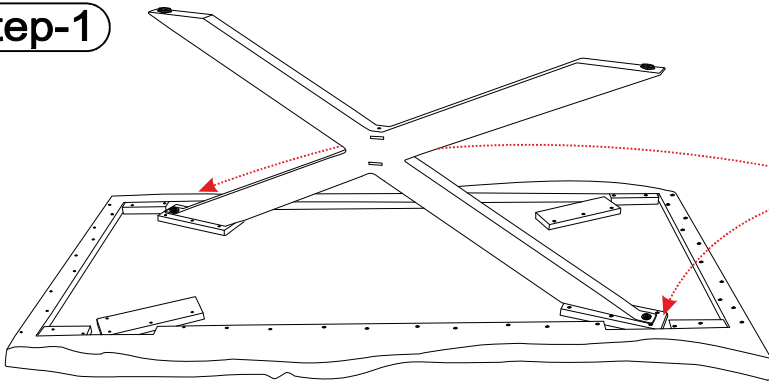


(8 Pcs.)

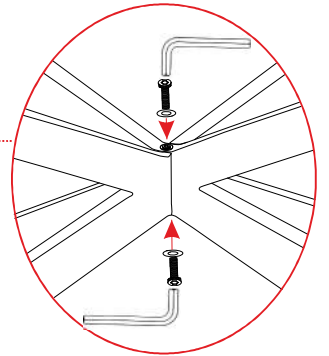
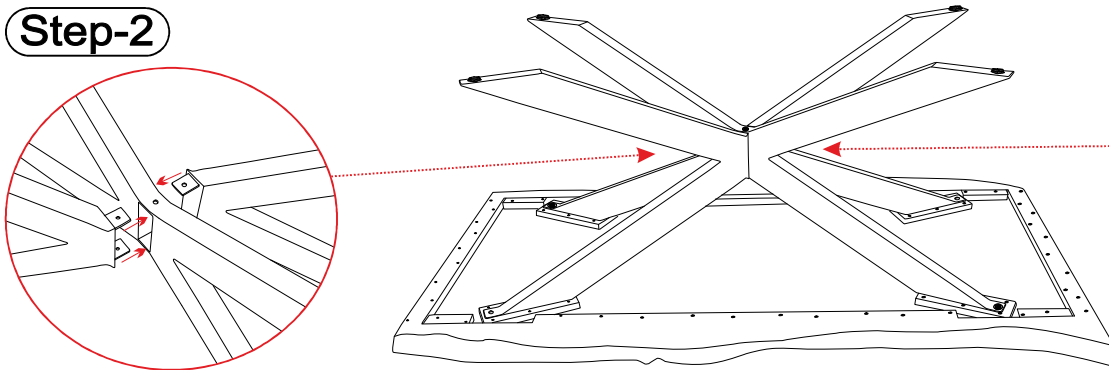


(1 Pcs.)

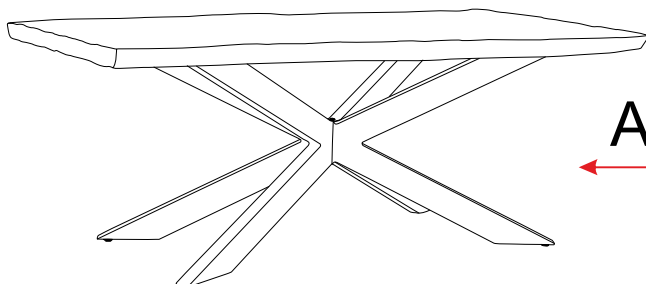
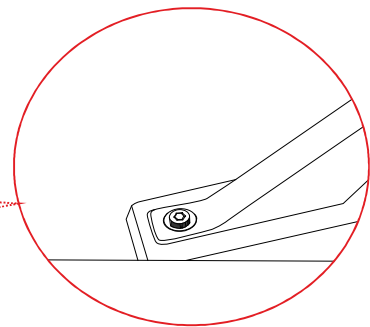
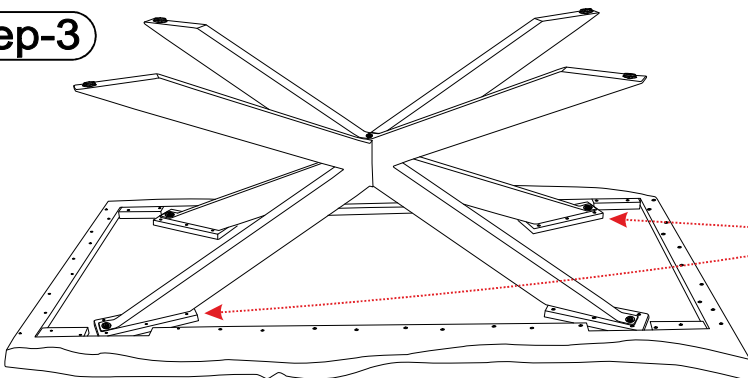
Step-1



Step-2



Step-3



Assembled Product

