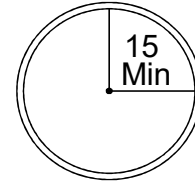
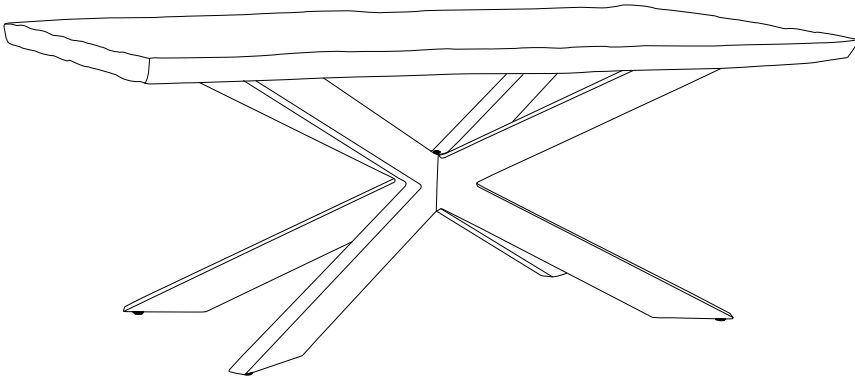
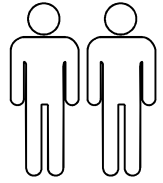


Art. No.66968-200



15
Min



(8x25mm)

(8 Pcs.)

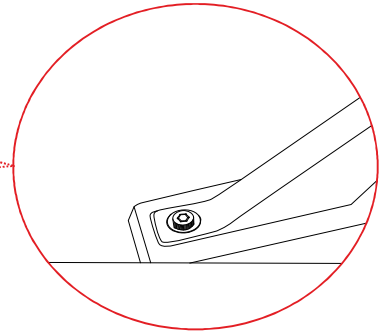
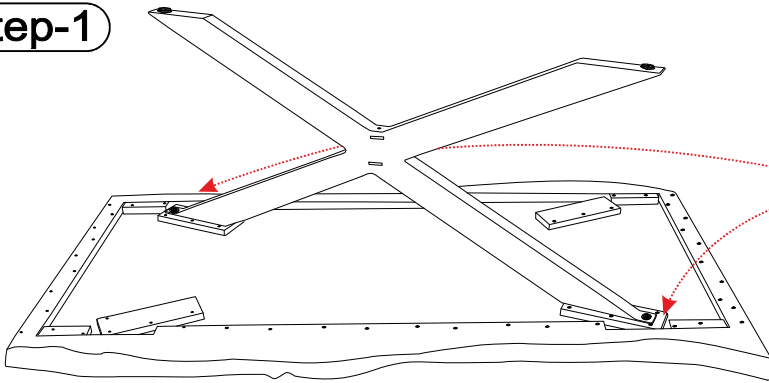


(8 Pcs.)

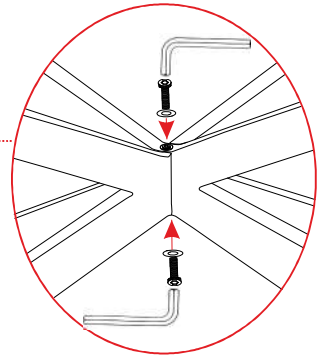
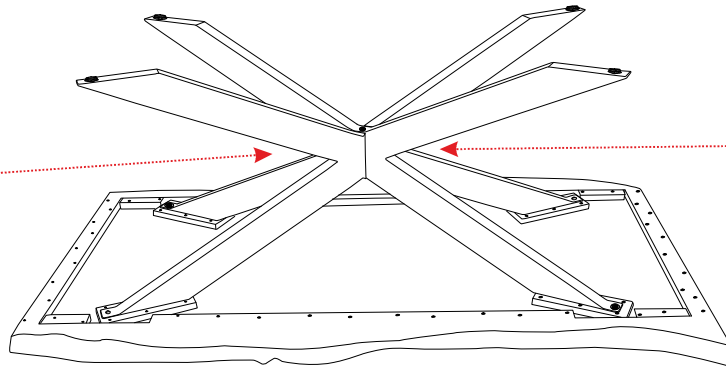
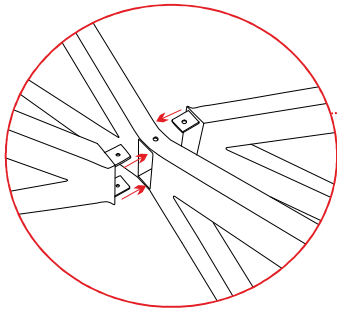


(1 Pcs.)

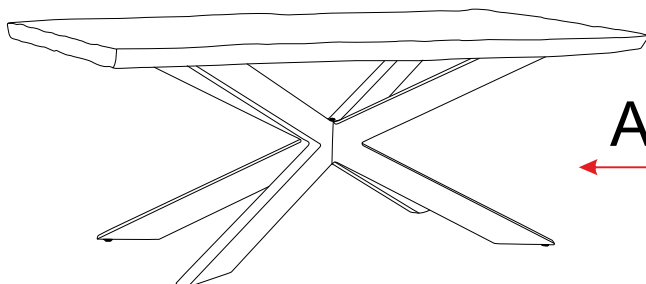
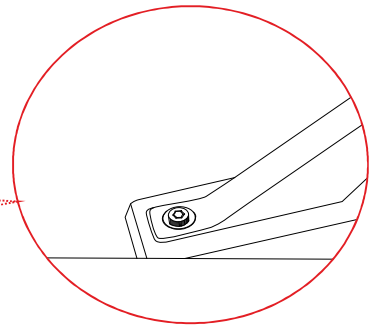
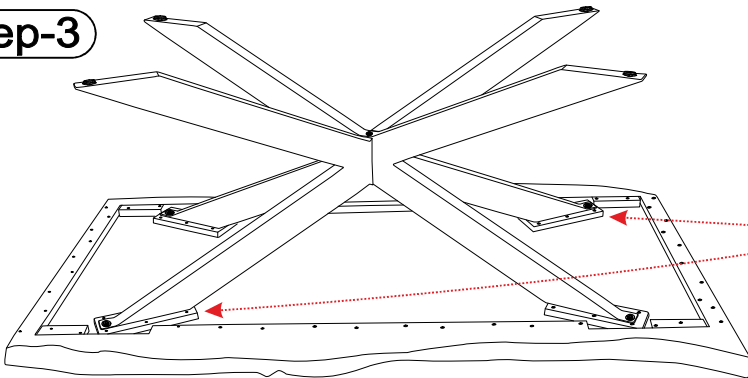
Step-1



Step-2



Step-3



Assembled Product

