

# NOVA LUCE

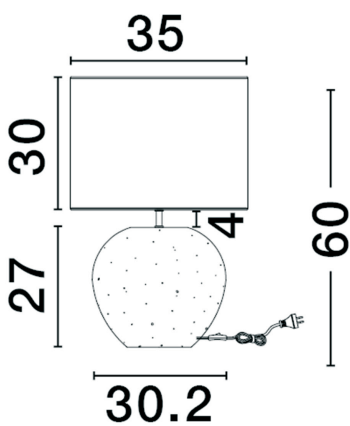
## PRODUCT DATASHEET

Version: 001

### PRODUCT PHOTOGRAPH



### TECHNICAL DRAWING



### GENERAL INFORMATION

Product Code	9919102
Collection	Decorative
Product Category	table
Product Family	MIZU
Mounting Location	table
Application Environment	indoor
Specifications	N/A

### DIMENSION & WEIGHT

LxWxH (cm)	D: 35 H: 60
Cut out (cm)	N/A
Weight (Kgr)	N/A

### MATERIAL & COLOR

Product Color	Cream Sandstone
Body Material	Gypsum Base & White Shade

### APPLICATION & MOUNTING

Ambient Working Temp.	Max 40 oC
Type of Protection	IP20
Dimmable	No
Type of Dimming	N/A
Mounting type	table
Mounting Depth (cm)	N/A
Led Module Replaceable	Yes
Light Source	LED

NOVA LUCE S.A

Schimatari Viotias  
32009, Greece

+30 22620 58 121  
+30 22620 56 743

info@novaluce.com  
www.novaluce.com



# NOVA LUCE

## PRODUCT DATASHEET

Version: 001

### ELECTRICAL DATA

Power (Nominal)	<b>E27 1x12W</b>
Input voltage (Nominal)	<b>100-240V</b>
Mains Frequency	<b>50/60Hz</b>

### PHOTOMETRICAL DATA

Luminous Flux	<b>Depend on lamp</b>
Color Temperature	<b>Depend on lamp</b>
Light Color (Designation)	<b>Depend on lamp</b>

### WARRANTY

Warranty	<b>3 Years</b>
----------	----------------

### CERTIFICATES

Certificates	<b>CE,UKCA</b>
--------------	----------------

