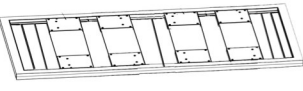



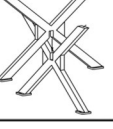


ASSEMBLY INSTRUCTIONS

ITEM CODE:64276-145

PARTS LIST :				HARDWARE LIST :				
No.	Description	Sketch	Quantity	No.	Sketch	Description	Size	Quantity
A	Wooden Top		1	C		Allen Bolt	8 mm x 20 mm	16
				D		Washer	8 mm	16
				E		Allen Key	5 mm	1
B	Wooden Leg		2					

