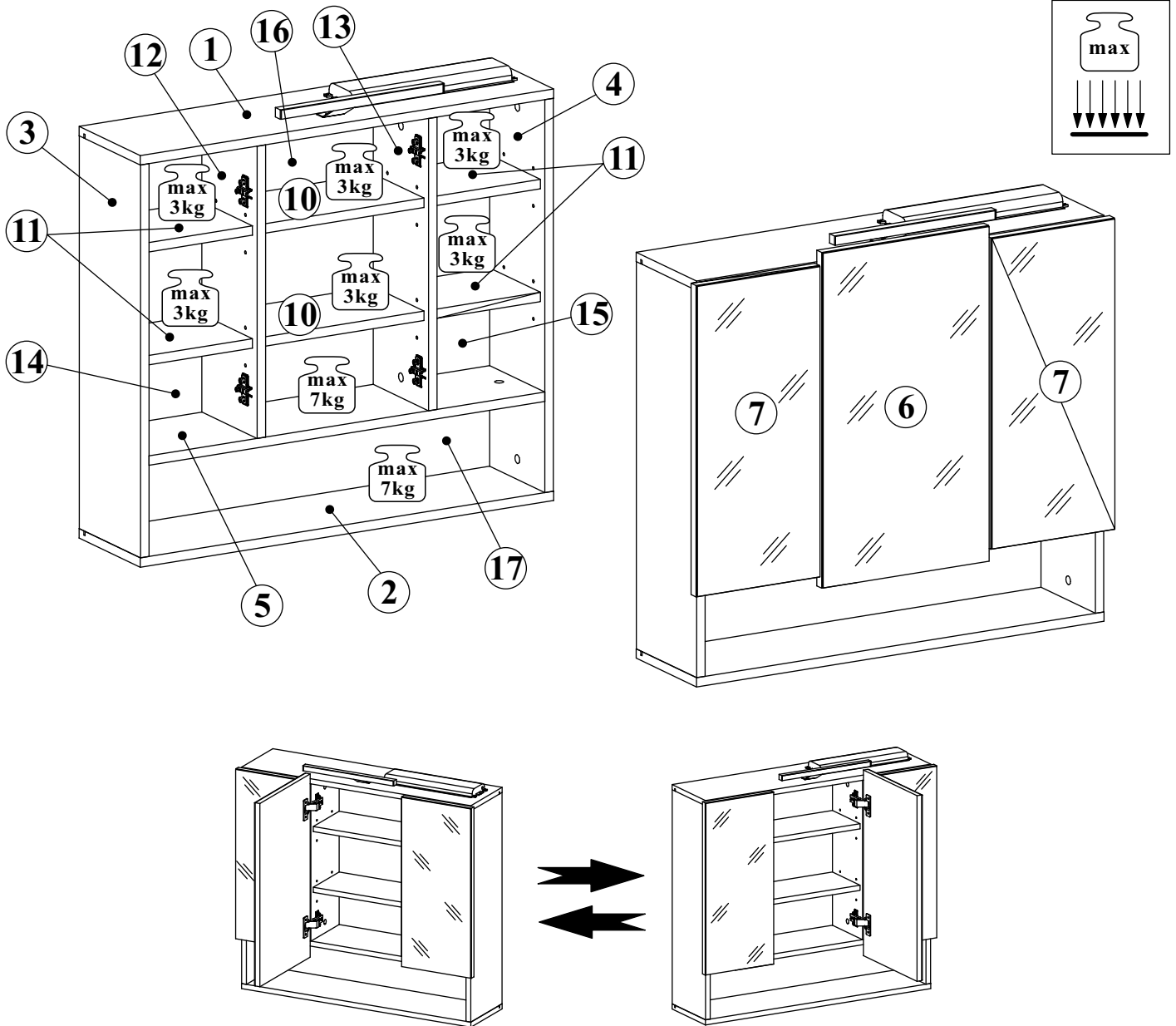
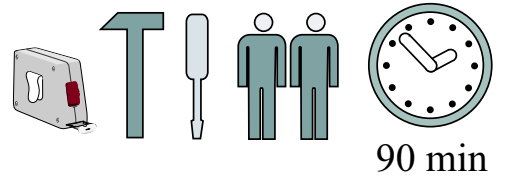


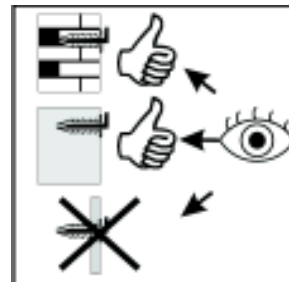
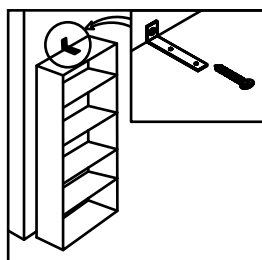
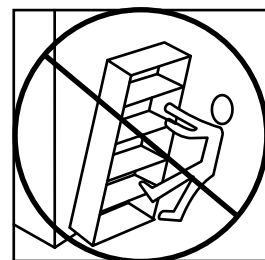
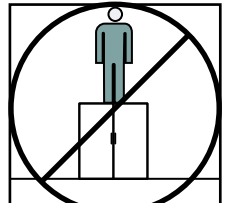
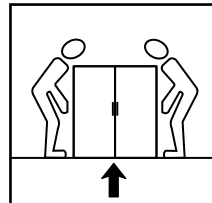
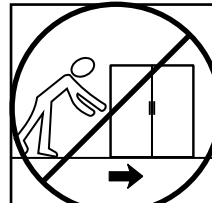
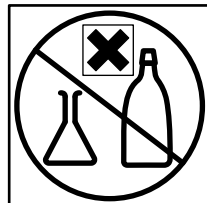
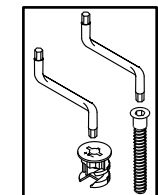
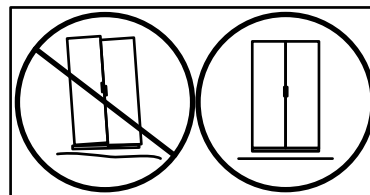
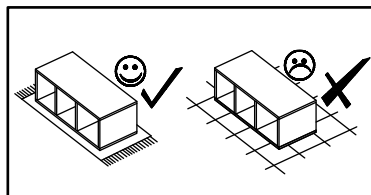
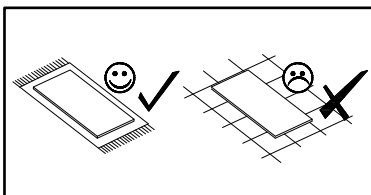
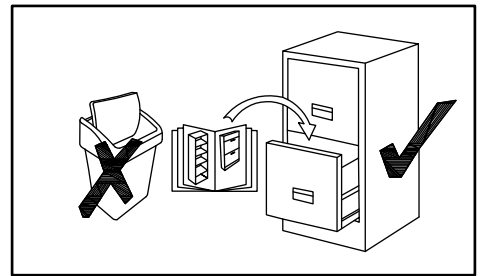
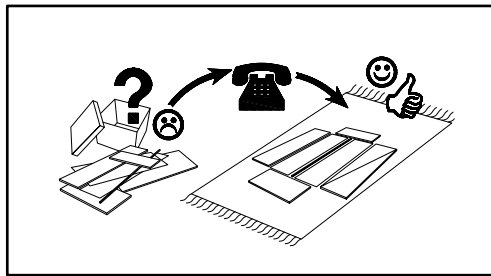
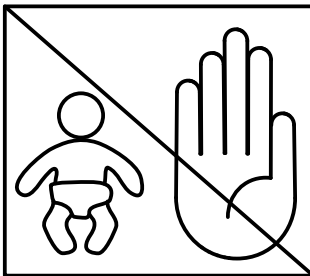
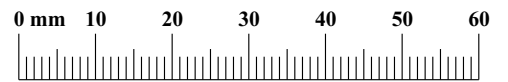
SEVEN 54-173-__-6



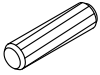
NO	Dim.		Col.-No	Qty
1	782	200	1	1
2	782	200	1	1
3	668	200	1	1
4	668	200	1	1
5	748	180	1	1
6	579	320	1	1
7	537	237	1	2
10	308	165	1	2
11	204	165	1	4
12	497	180	1	1
13	497	180	1	1
14	511	218	1	1
15	511	218	1	1
16	511	323	1	1
17	760	169	1	1

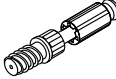



A1 x20 ø8x36	B4 x10	B5 x10 ø15x12	G5 x10	ZXL x1	ZXP x1
E23 x6 Ø35 H=8	E4 x6 H=2	D10 x12 USØ3,5x13	Z2 x4 Ø5	G7 x24	G16 x14
LT1 x1	S1 x13	UP13 x16 UPØ3x16	KR1 x4	SZ7 x2	G2 x1

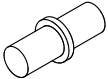


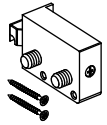
1

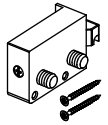
A1	
x8	ø8x36

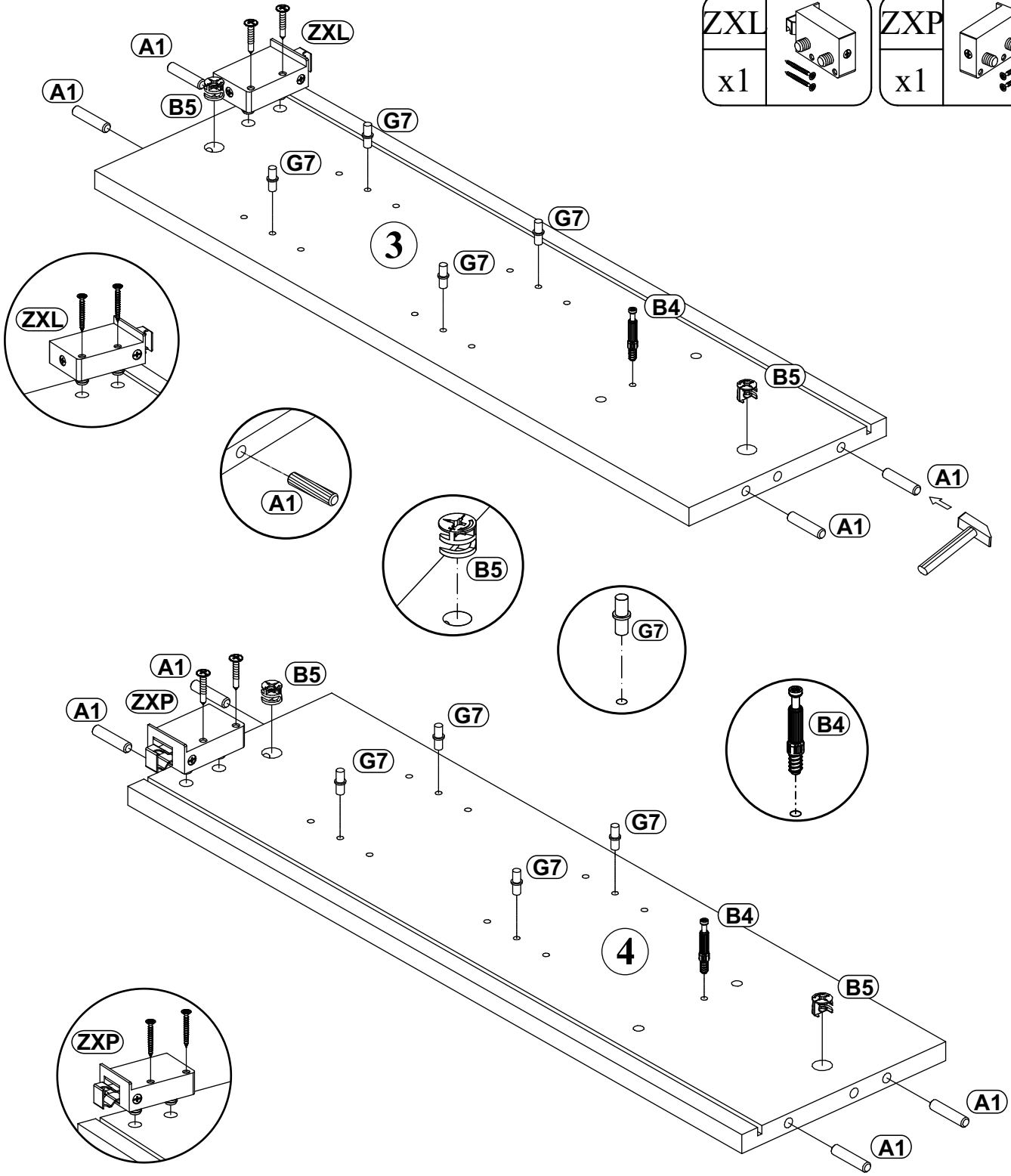
B4	
x2	

B5	
x4	ø15x12

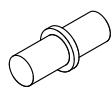
G7	
x8	

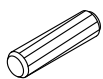
ZXL	
x1	


ZXP	
x1	

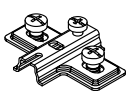


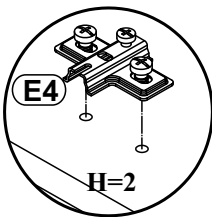
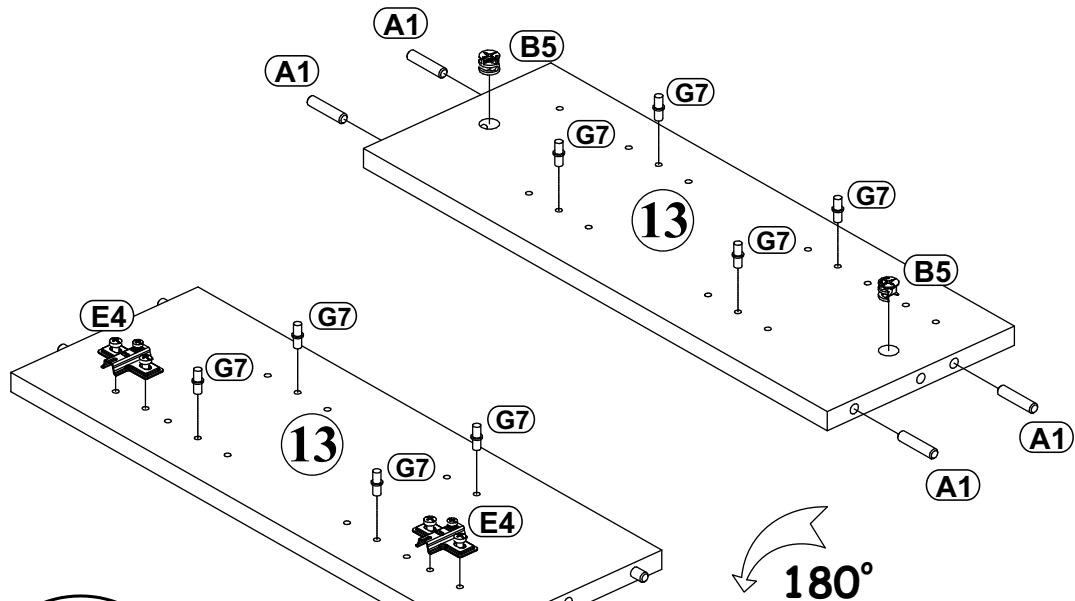
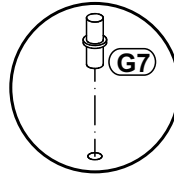
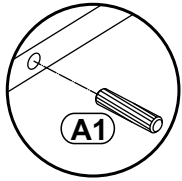
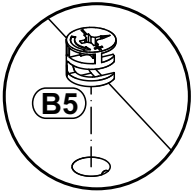
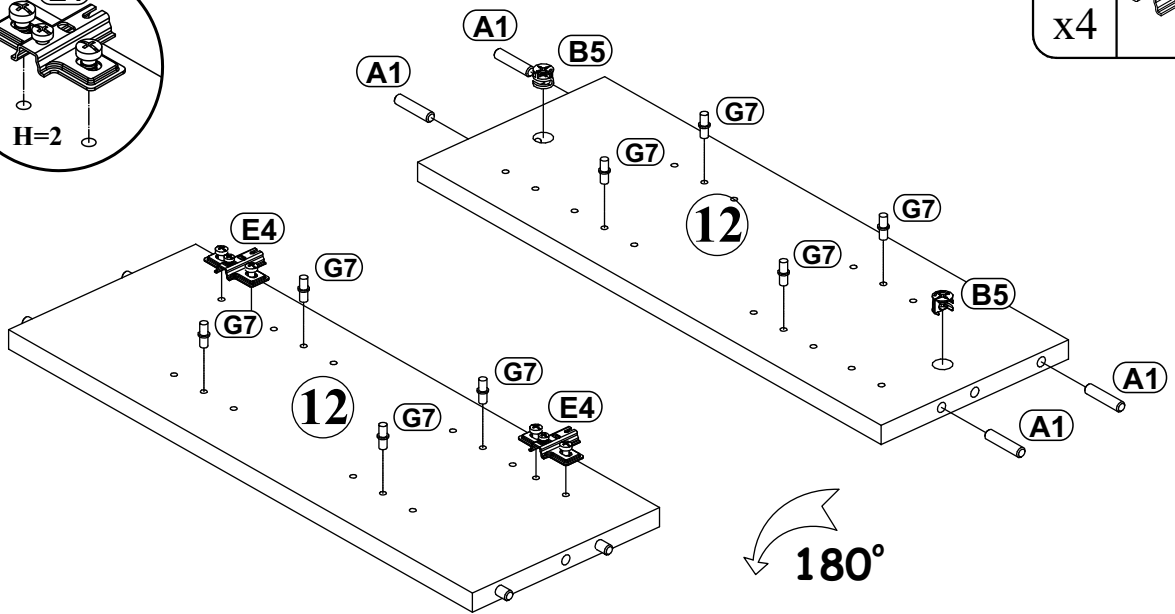
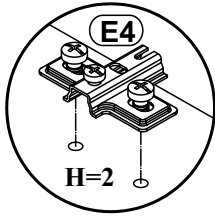
2

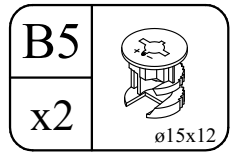
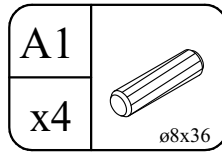
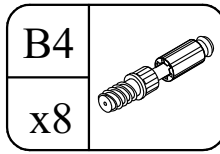
G7	
x16	

A1	
x8	ø8x36

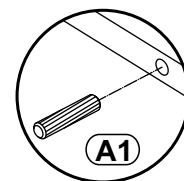
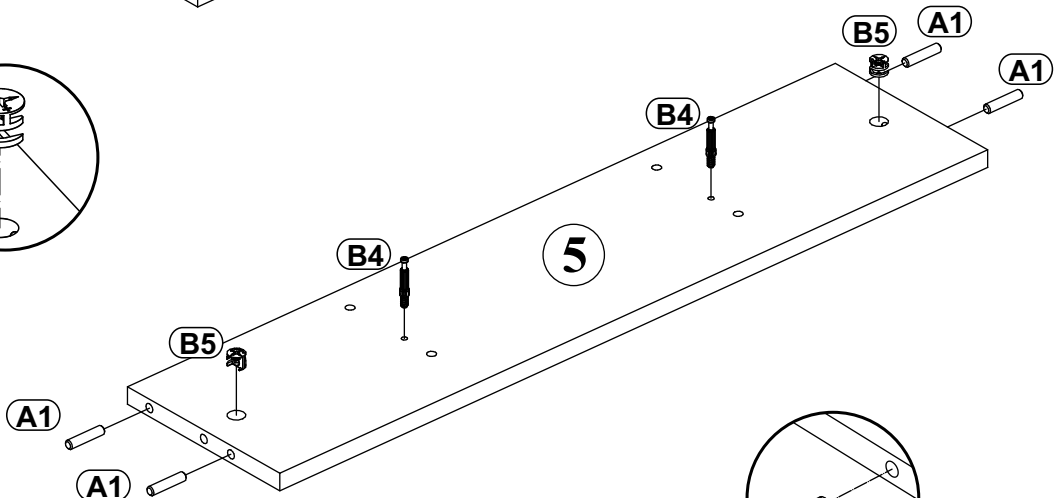
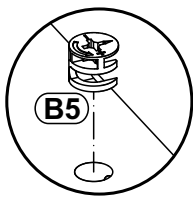
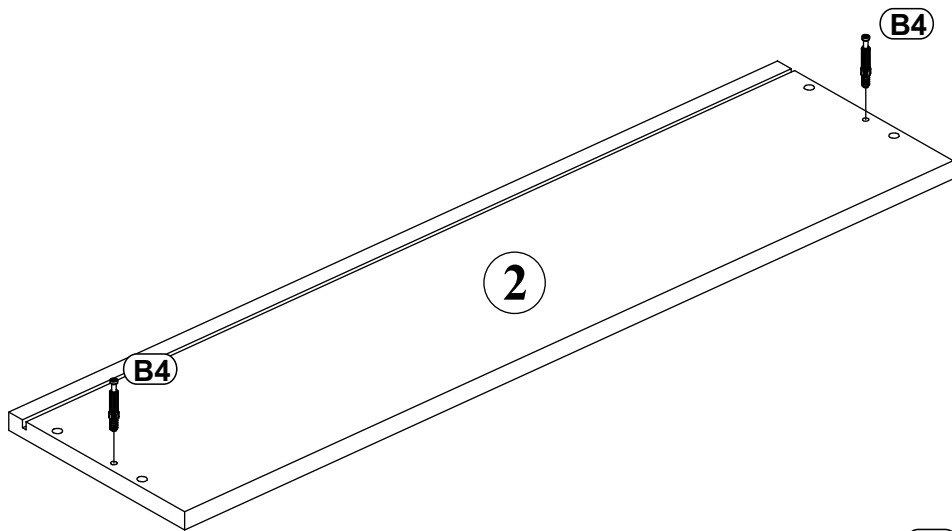
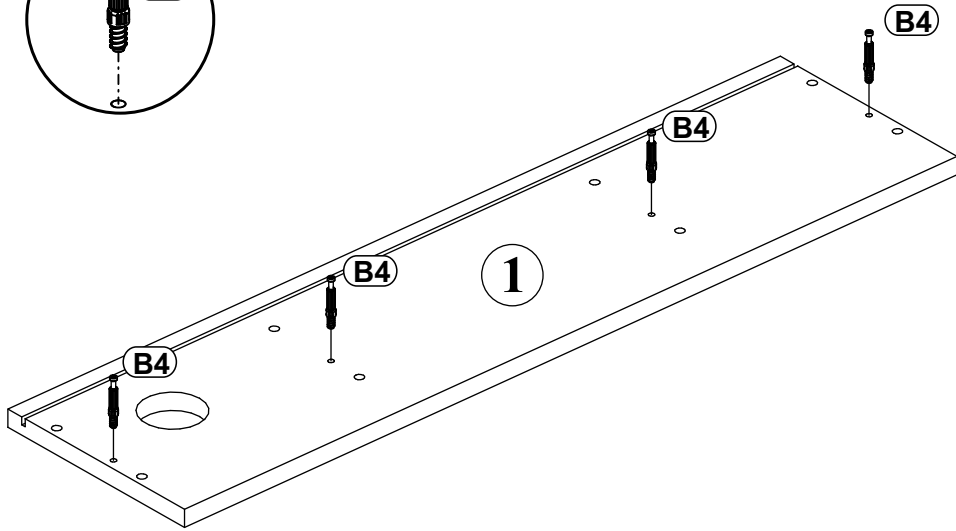
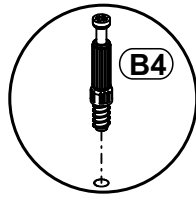
B5	
x4	ø15x12

E4	
x4	H=2

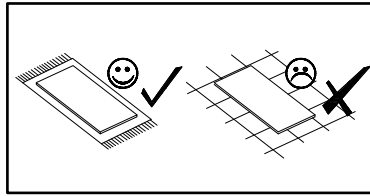





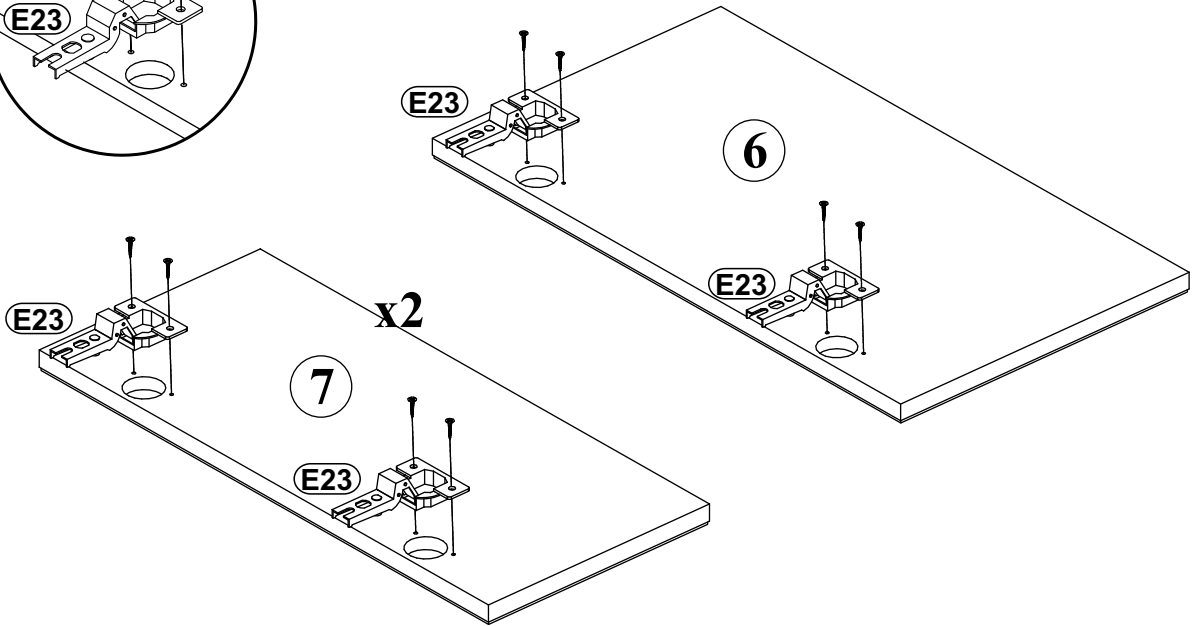
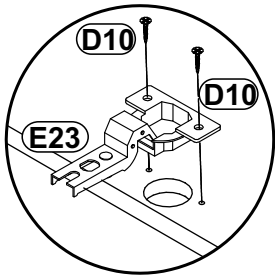
3




4

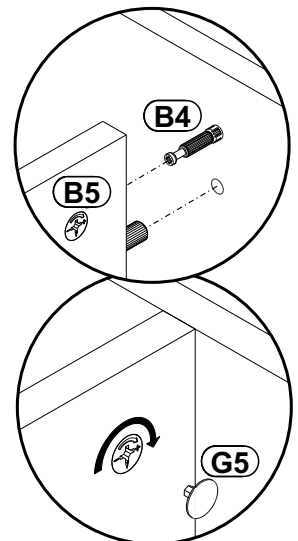
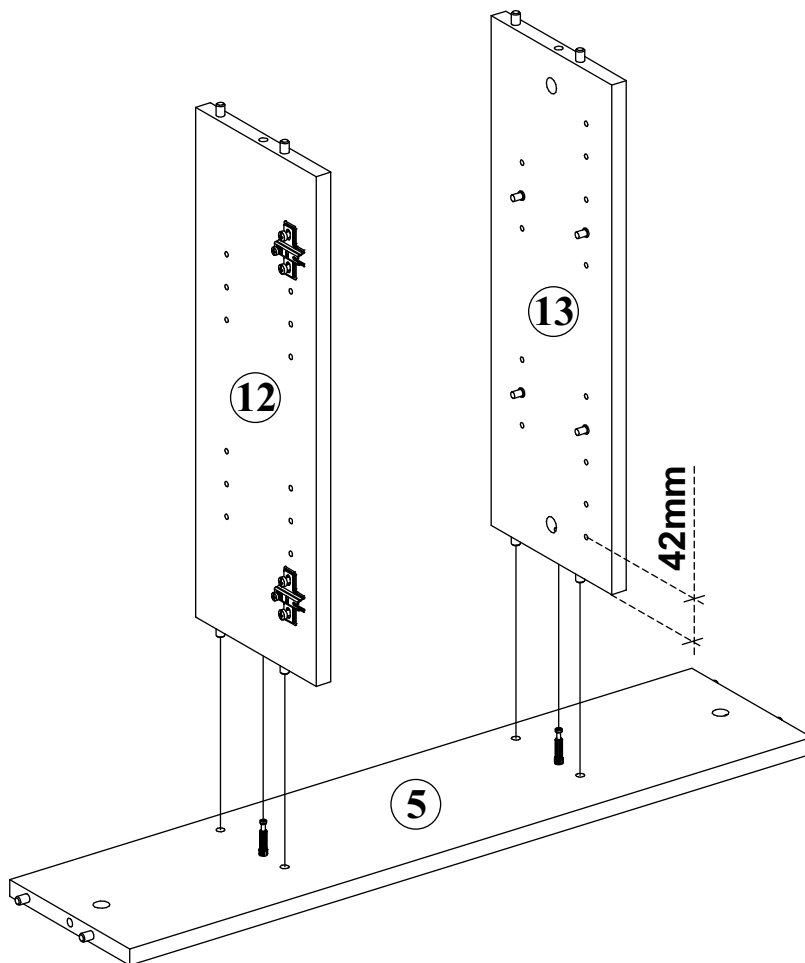


E23	Ø35	D10	 USØ3,5x13
x6	H=8	x12	

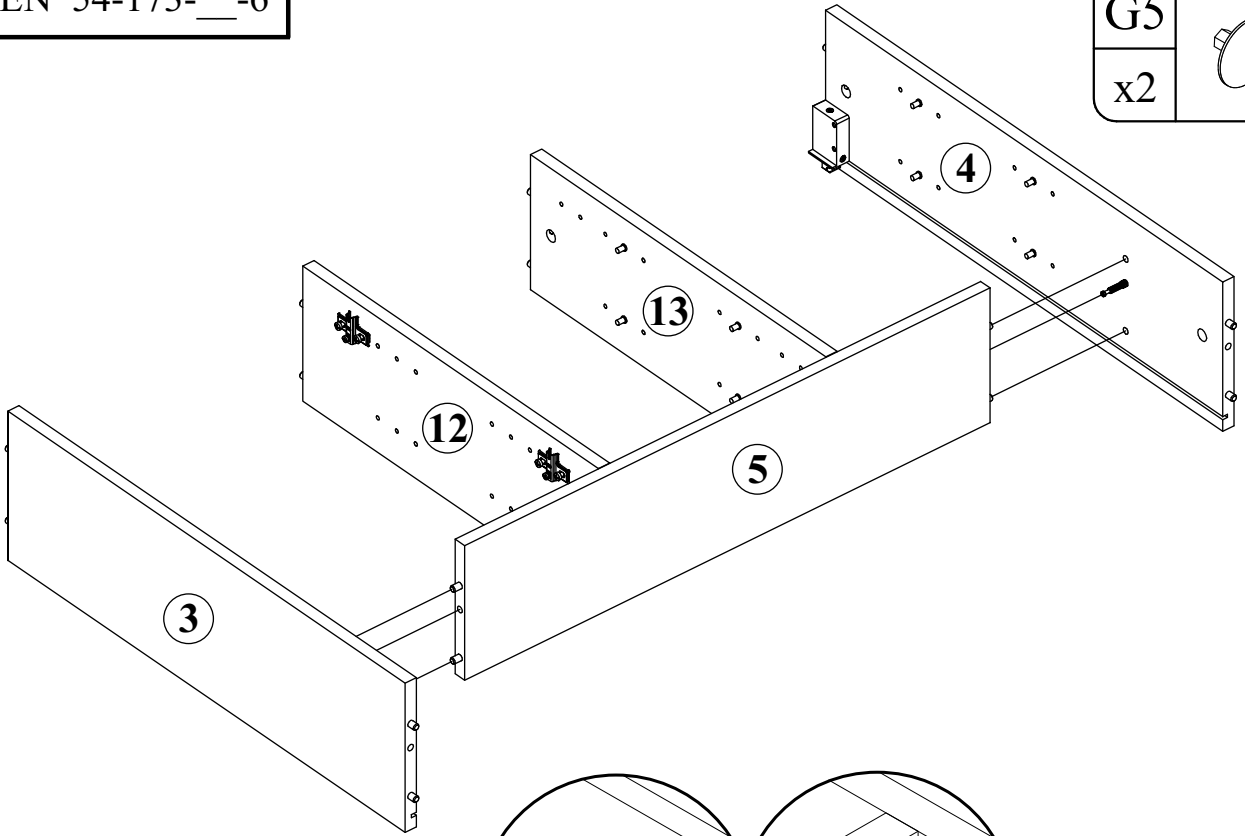



5

G5	
x2	

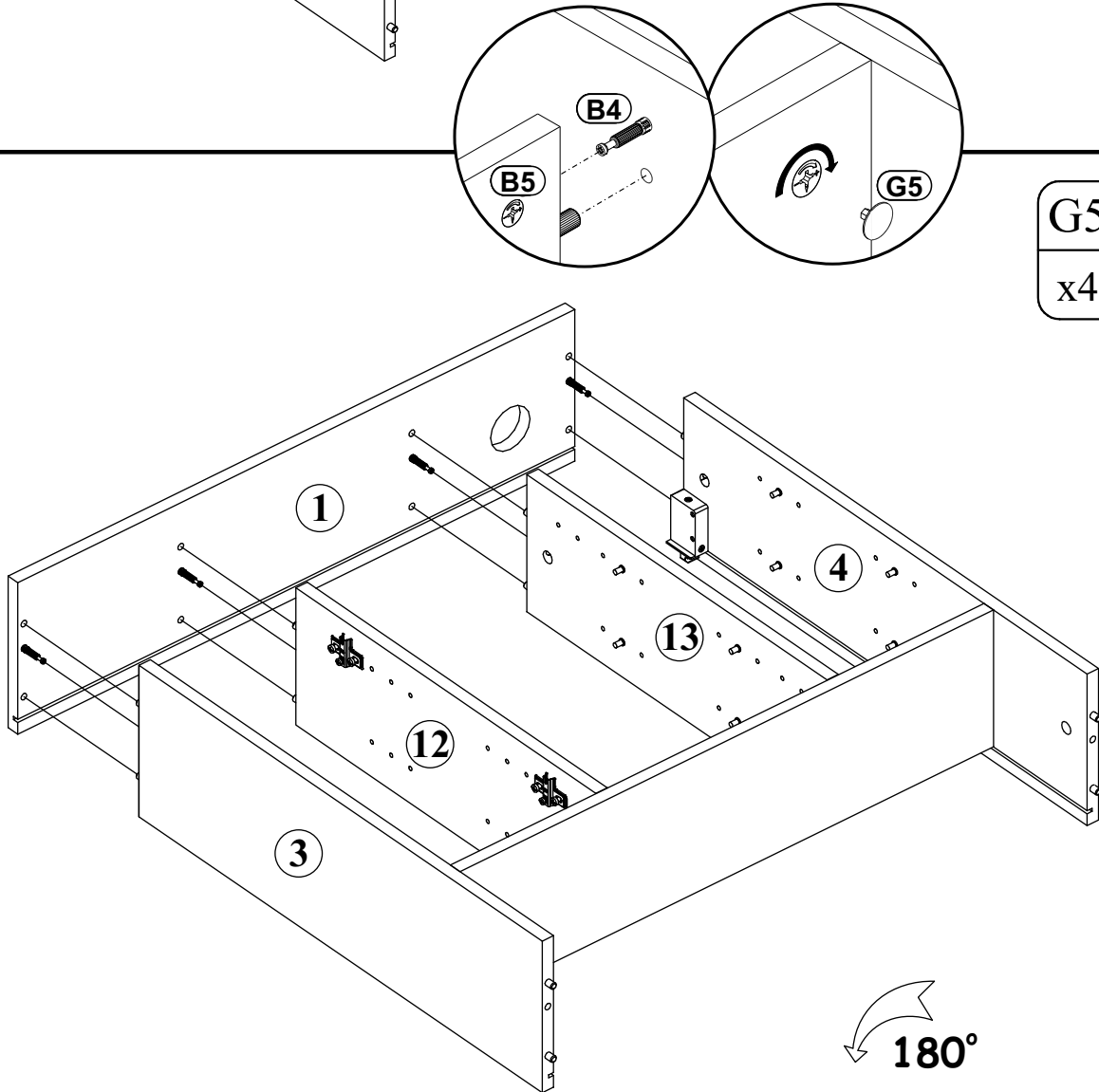



6



G5	
x2	

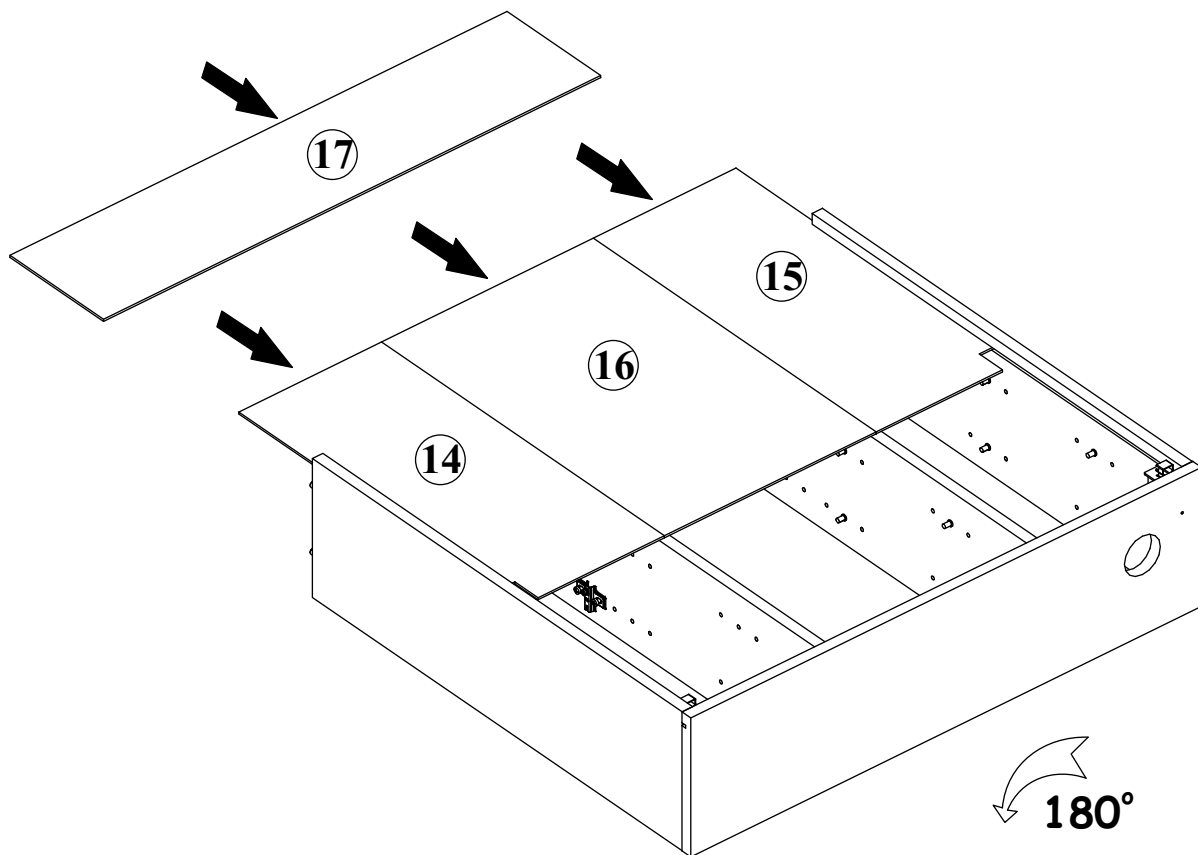
7



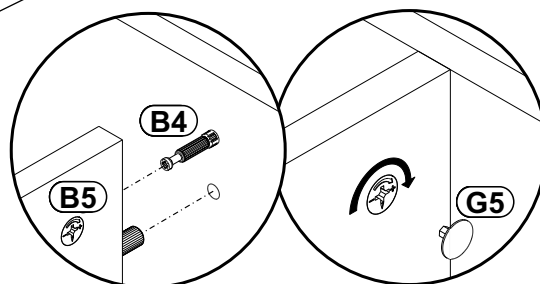
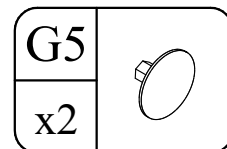
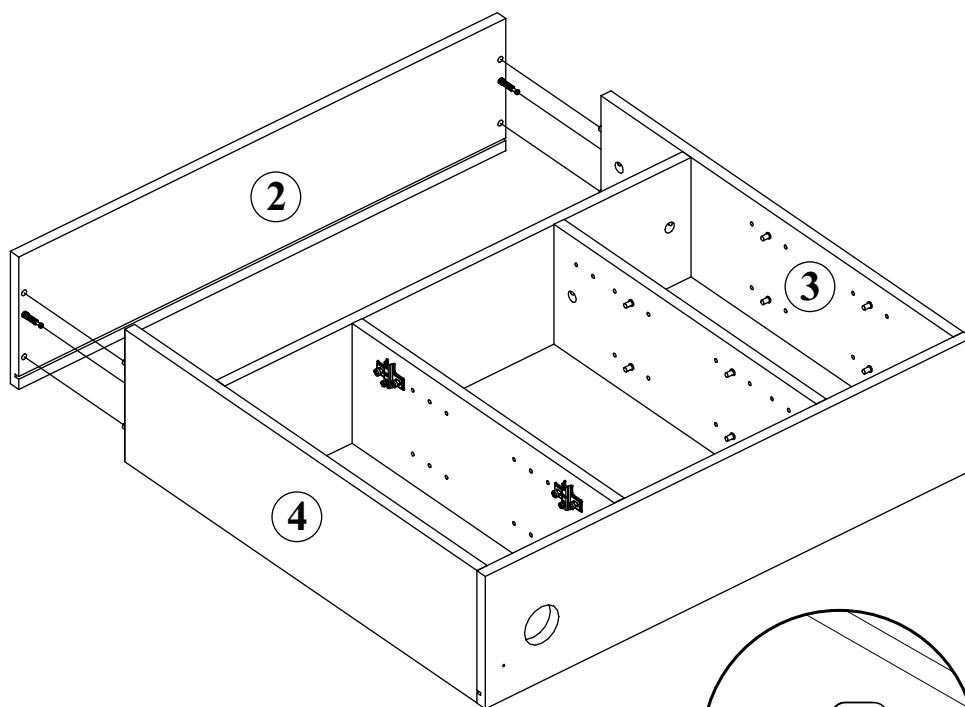
G5	
x4	

180°

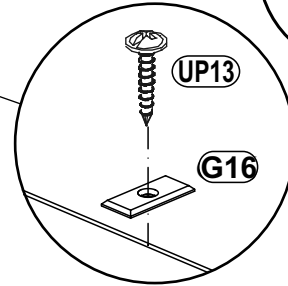
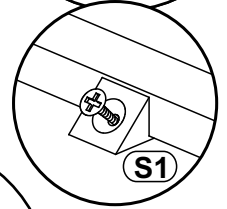
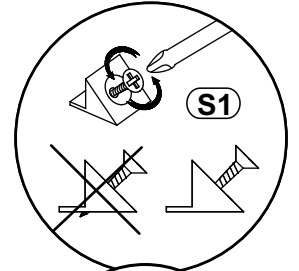
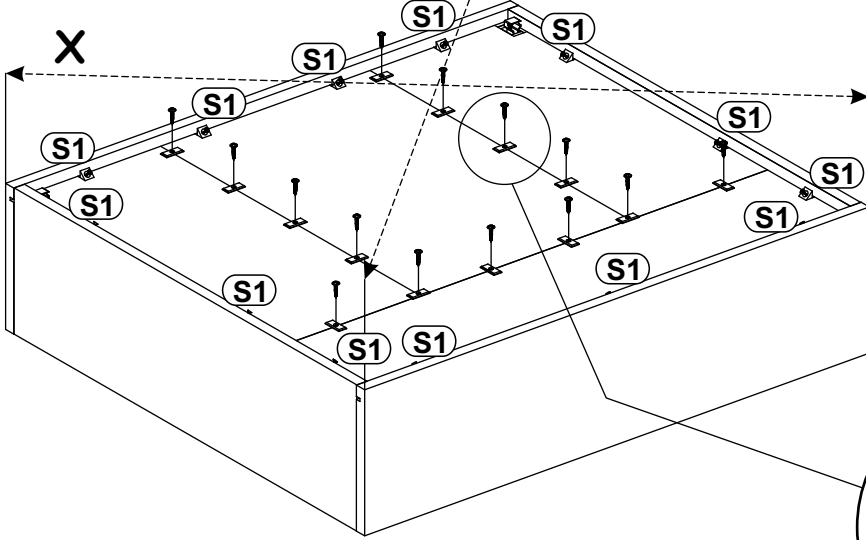
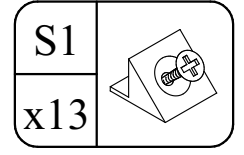
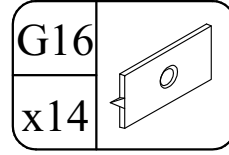
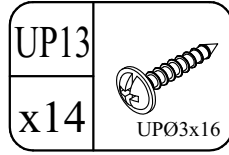
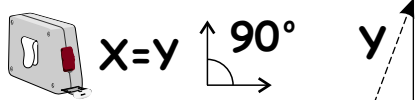
8



9

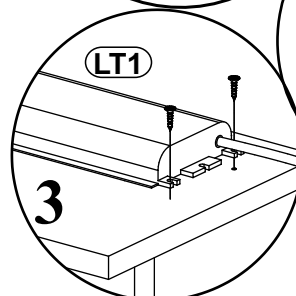
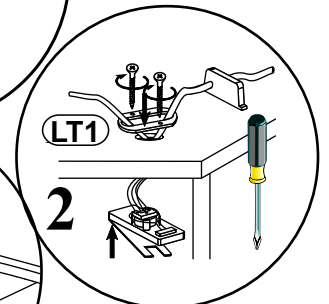
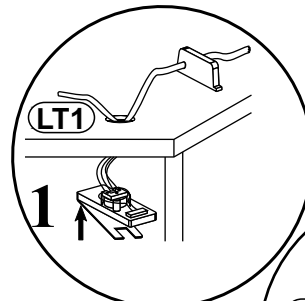
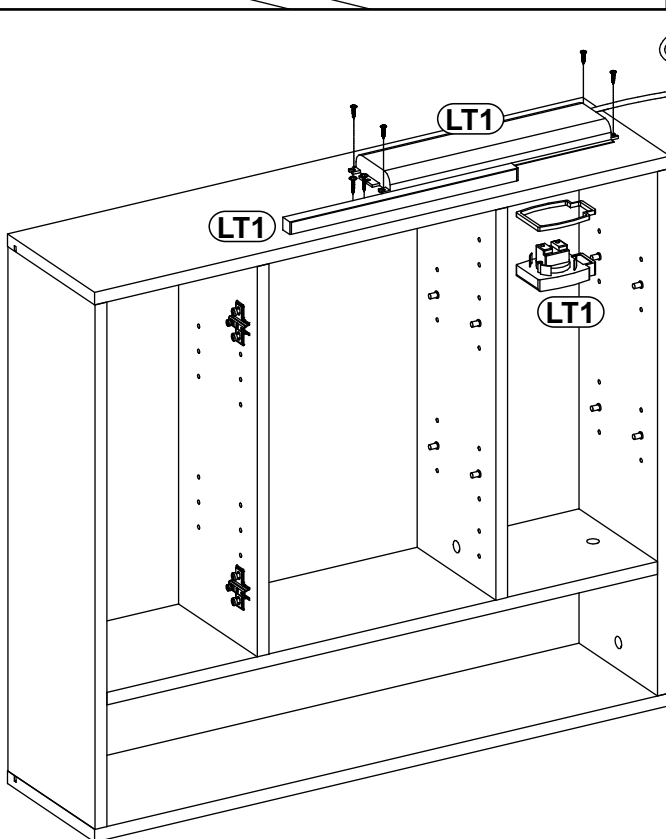
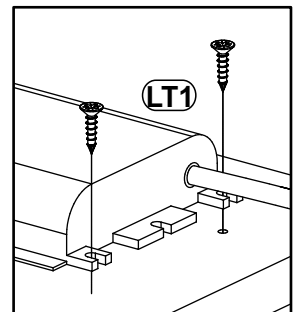
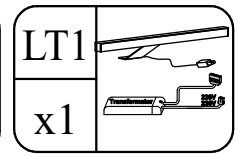
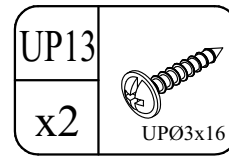
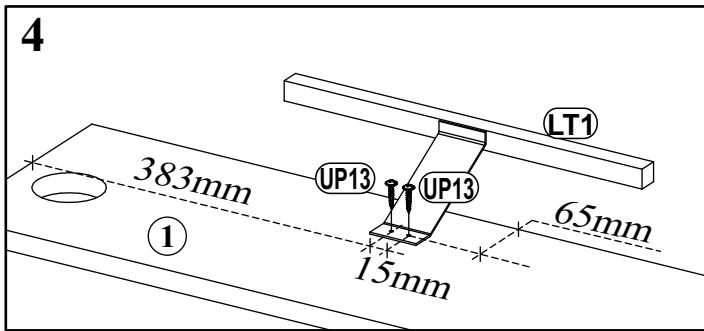


10

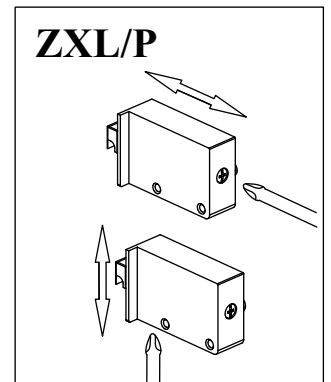
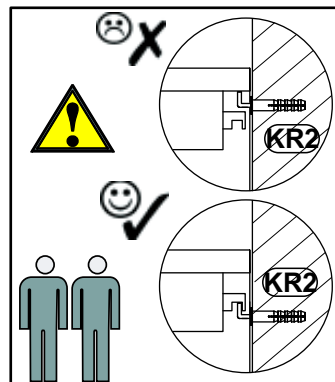
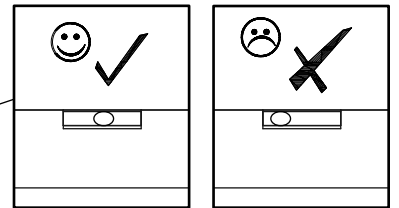
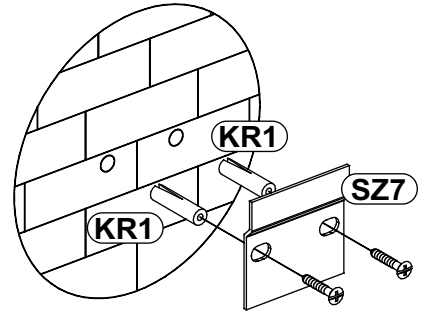
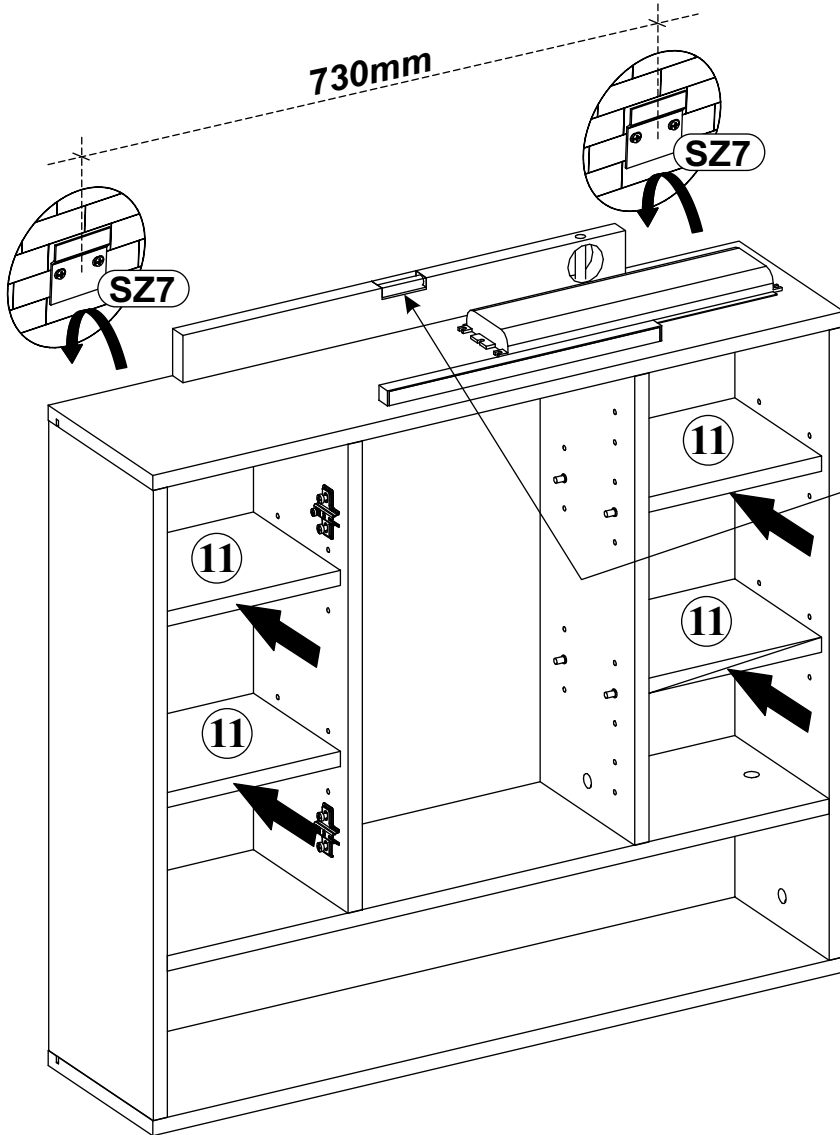
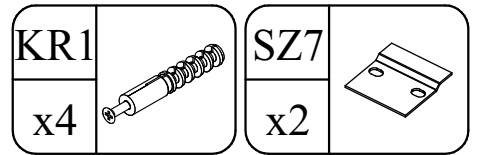
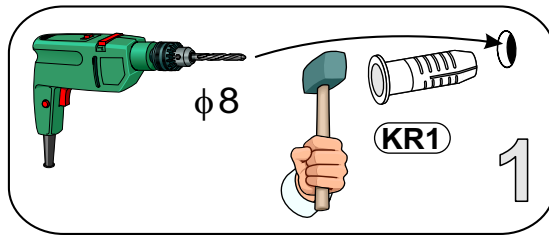
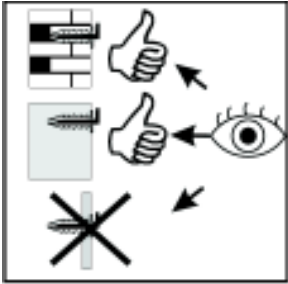


11

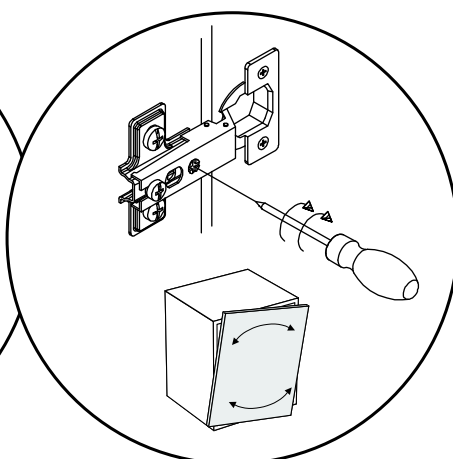
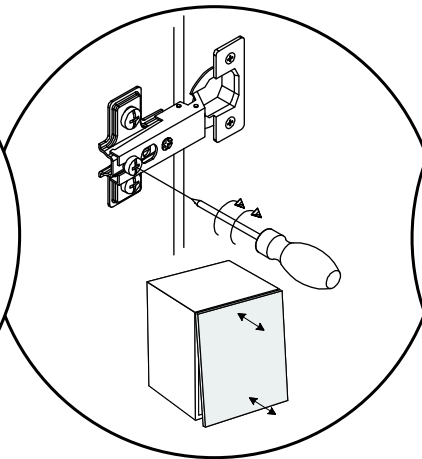
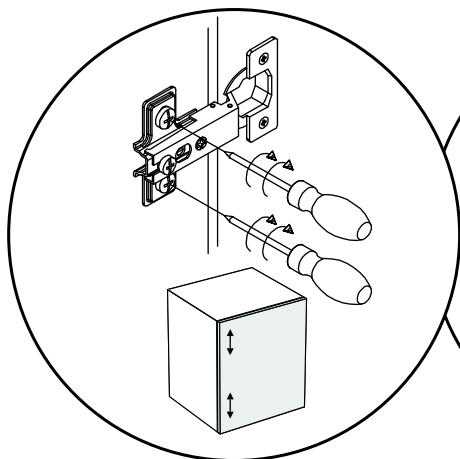
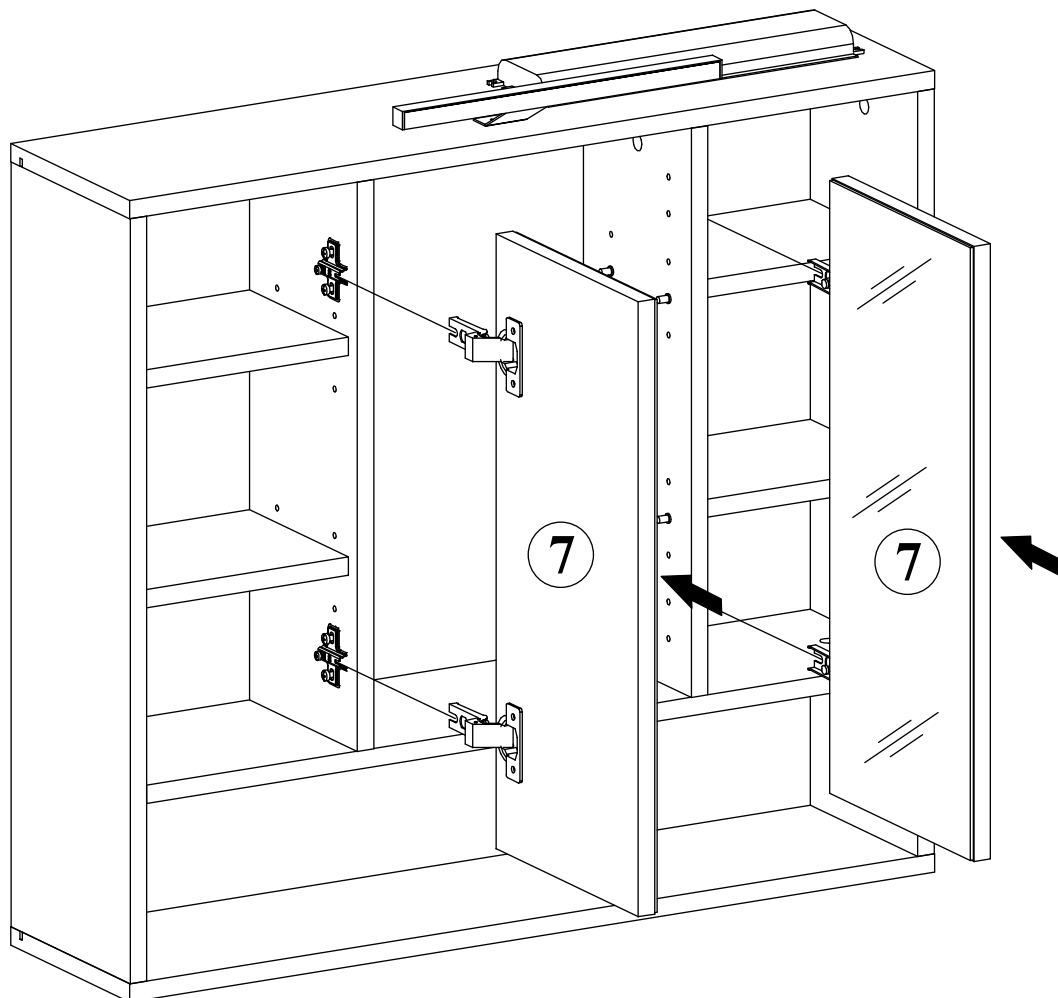
4



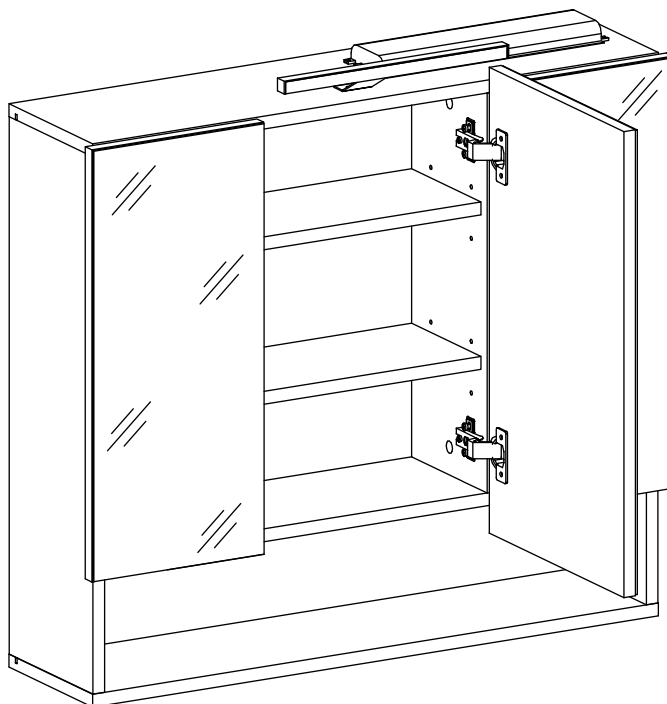
12



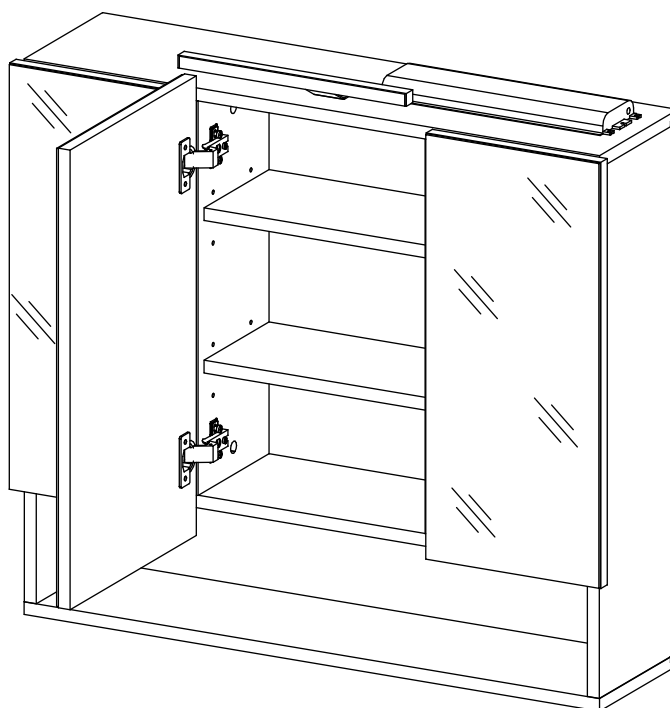
13



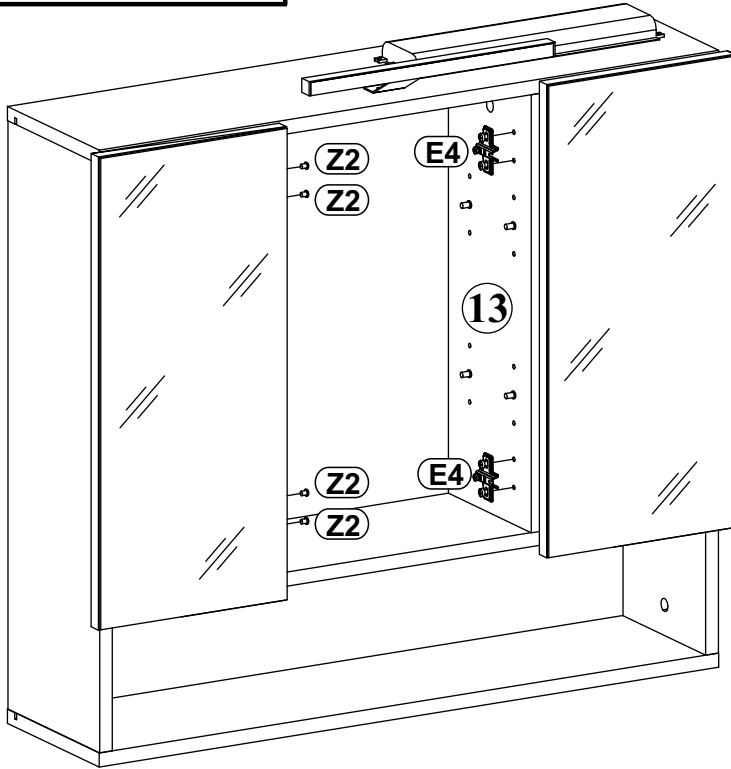
14-15



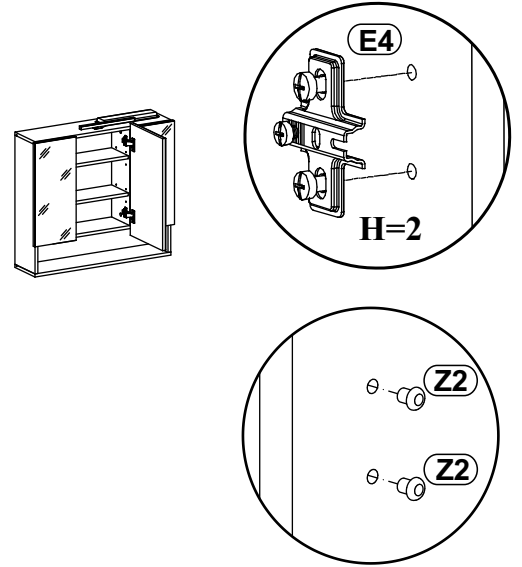
16-17



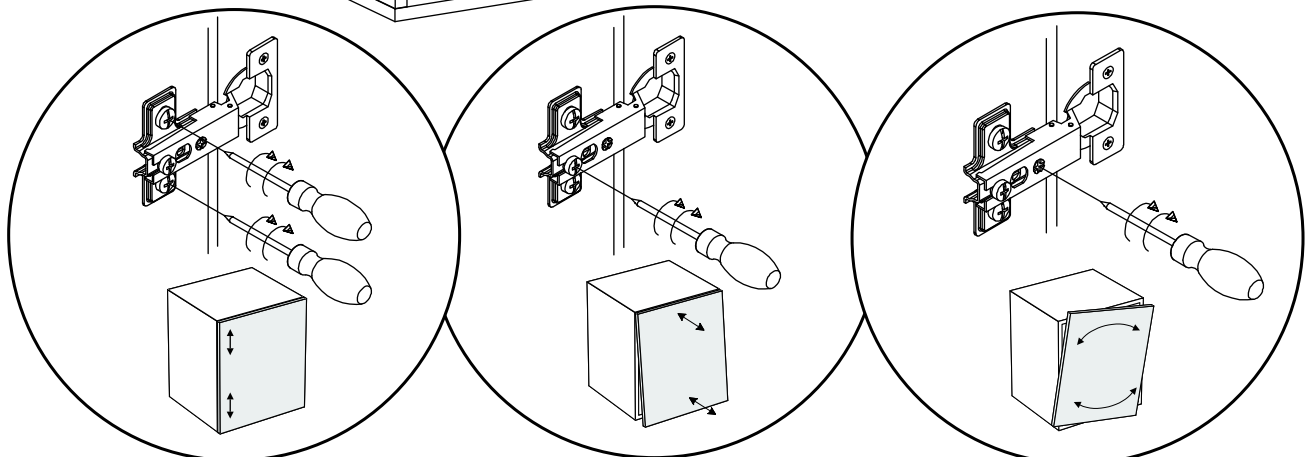
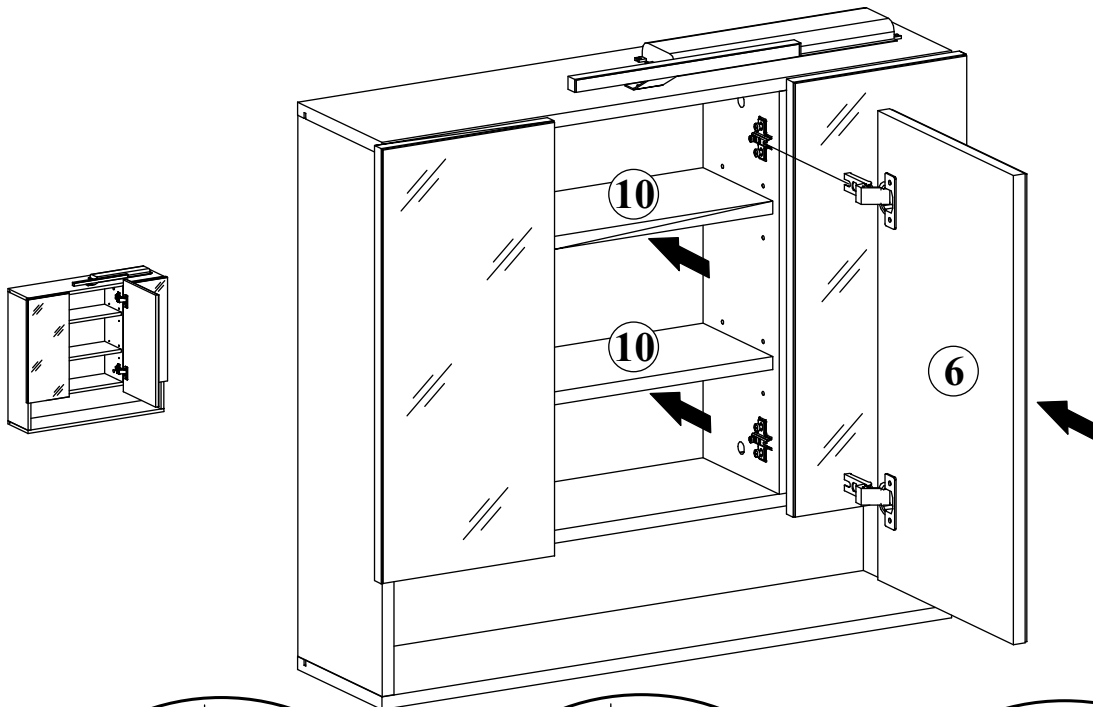
14

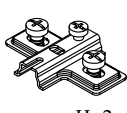



E4		Z2	
x2	H=2	x4	Ø5

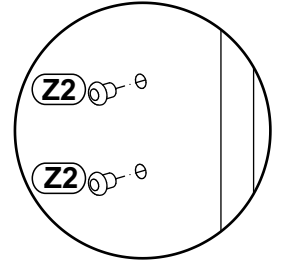
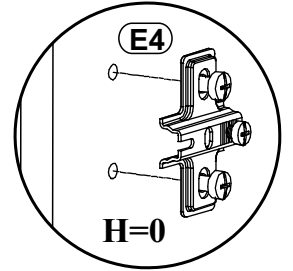
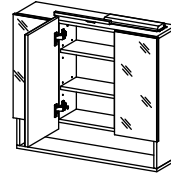
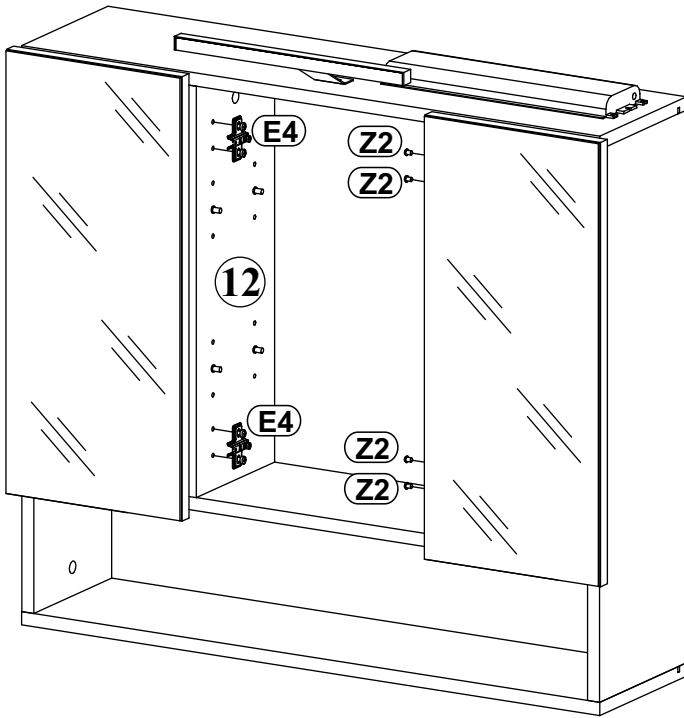


15



E4		Z2	
x2	H=2	x4	Ø5

16



17

