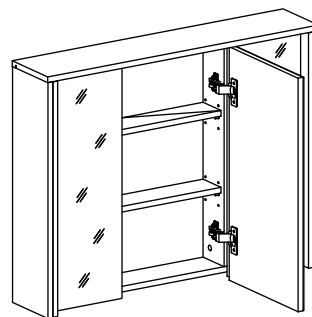
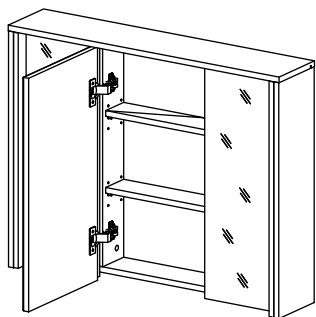
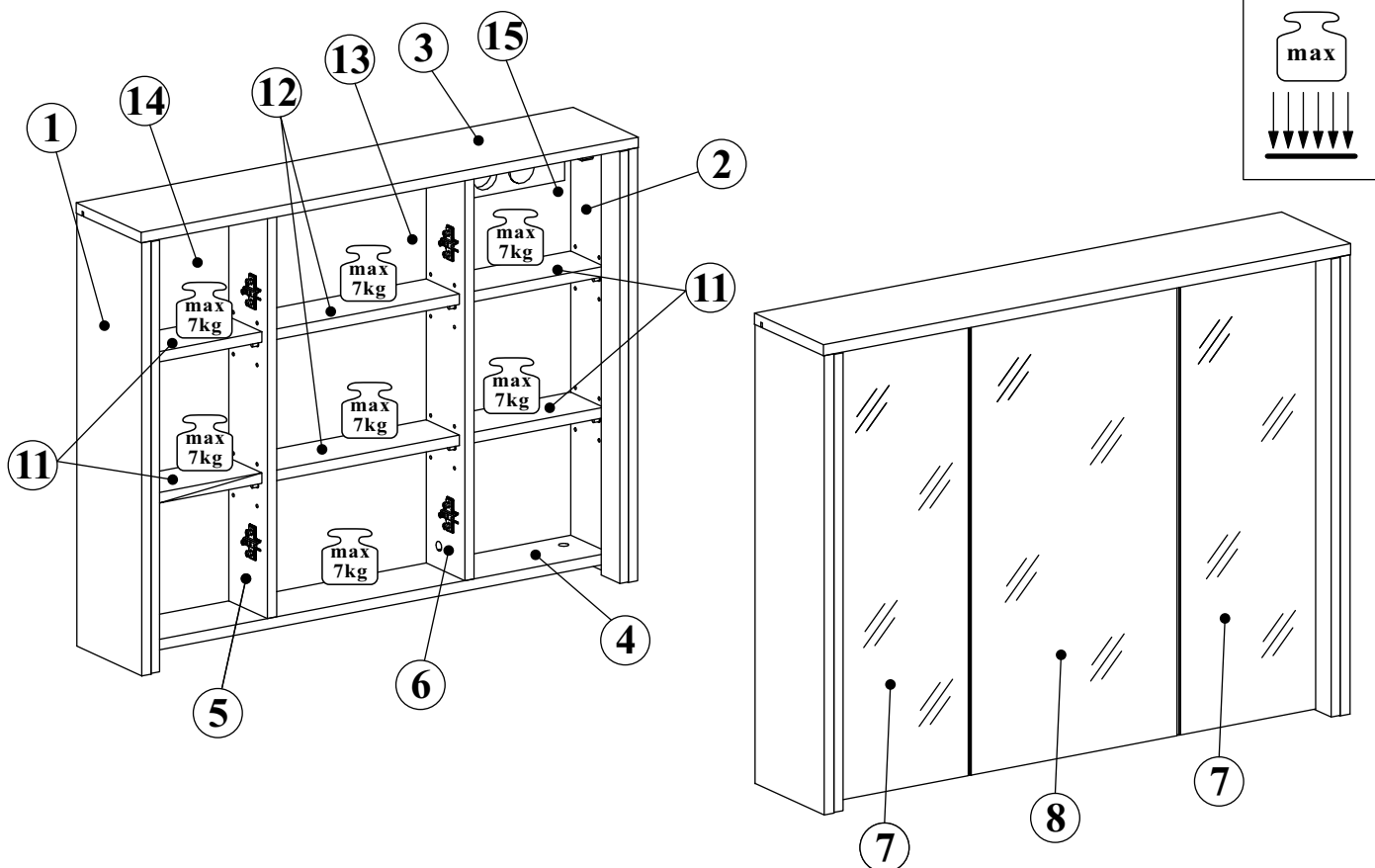
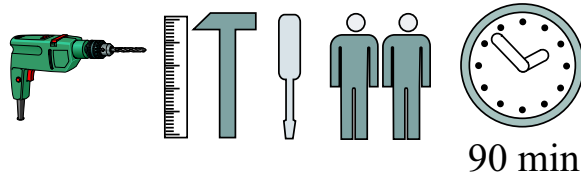


FIVE 54-161-__-6

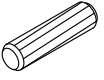
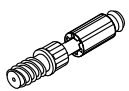


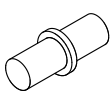
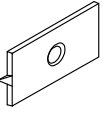
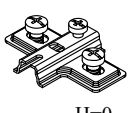
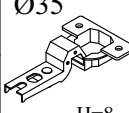

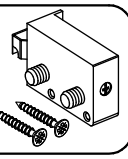
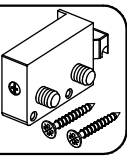

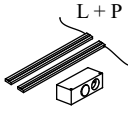
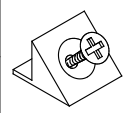





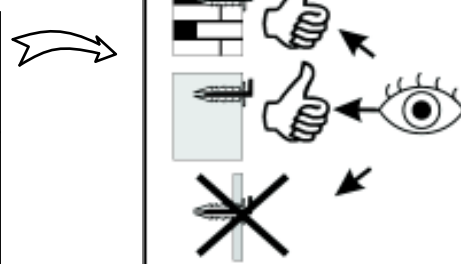
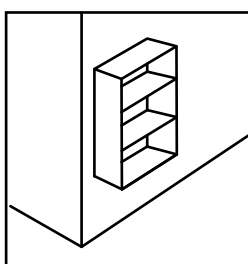
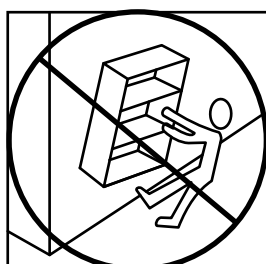
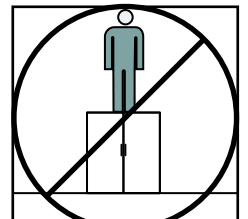
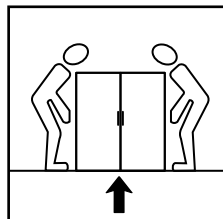
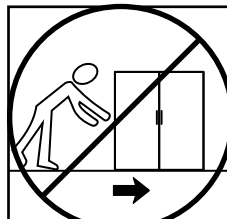
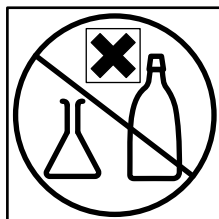
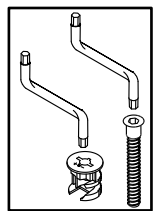
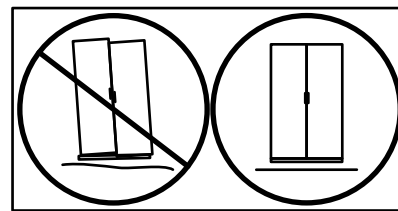
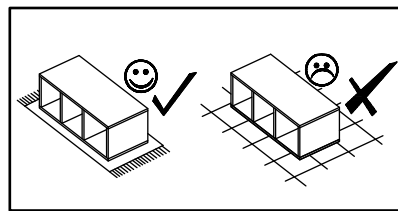
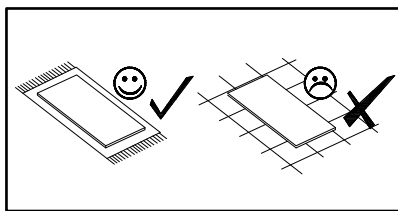
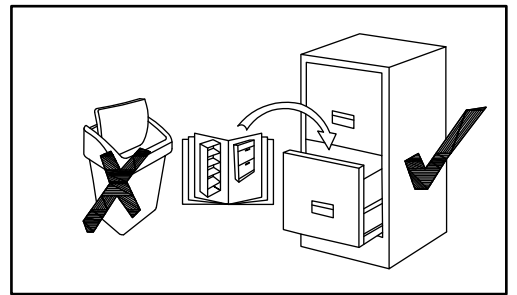
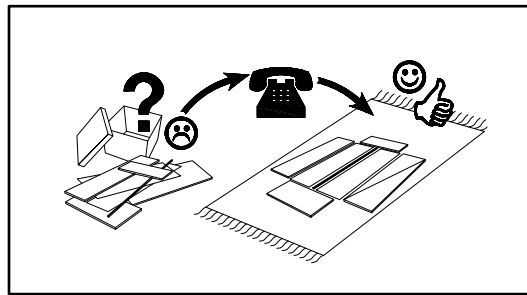
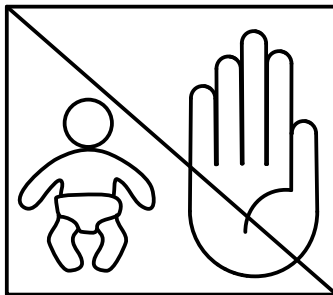
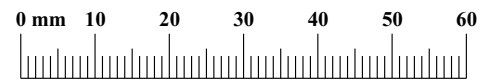
NO	Dim.		Col.-No	Qty
1	663	175	1	1
2	663	175	1	1
3	866	175	1	1
4	832	124	1	1
5	631	104	1	1
6	631	104	1	1
7	656	224	1	2
8	656	340	1	1
11	236	89	1	4
12	328	89	1	2
13	643	344	1	1
14	643	250	1	1
15	643	250	1	1

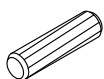


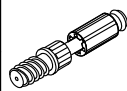
90 min


FIVE 54-161-__-6

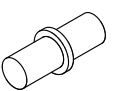
A1 x10  ø8x36	B4 x8 	B5 x8  ø15x12	G5 x8 	G7 x24 	G16 x10 
E2 x6  H=0	E23 x6  Ø35 H=8	D10 x12  USØ3,5x13	ZXL x1 	ZXP x1 	UP13 x10  UPØ3x16
LED x1  L+P	S1 x10 	KR2 x2 	G2 x1 	Z2 x4  Ø5	

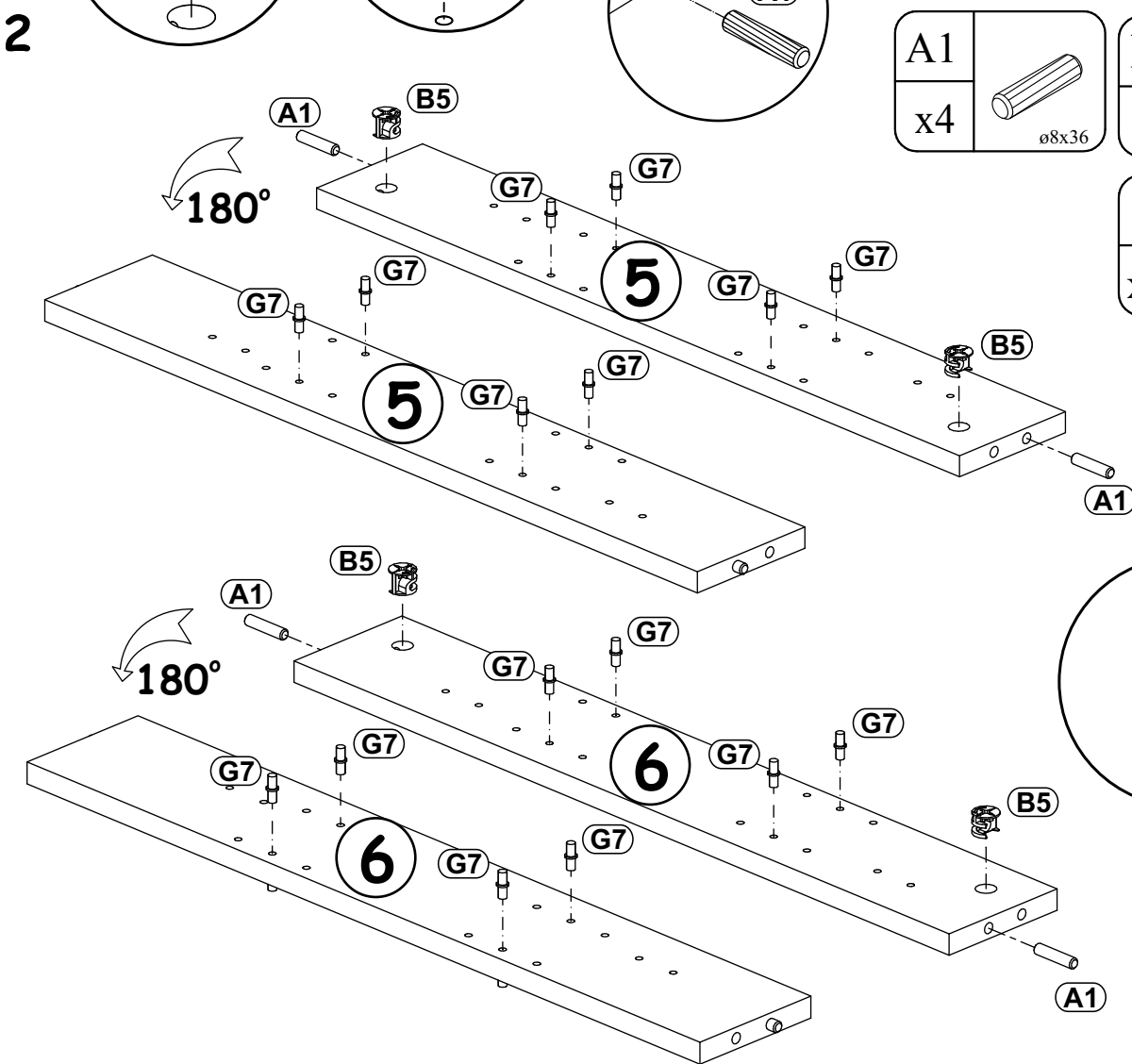
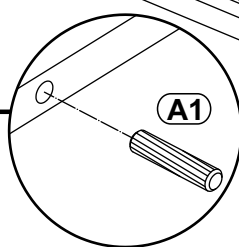
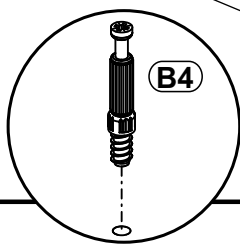
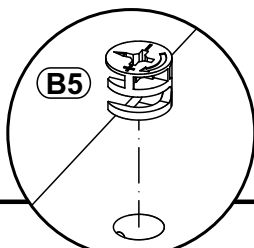
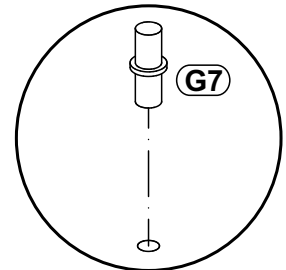
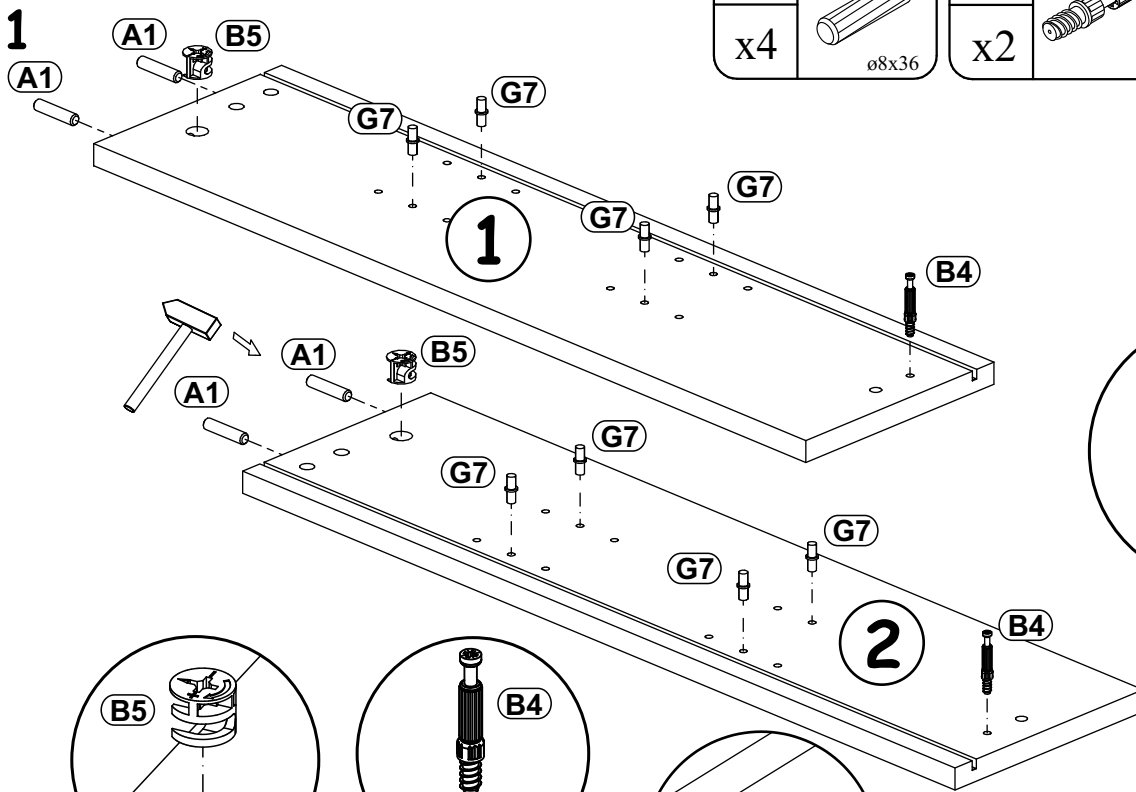


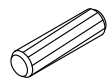
A1	
x4	ø8x36


B4	
x2	

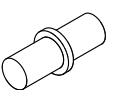
B5	
x2	ø15x12

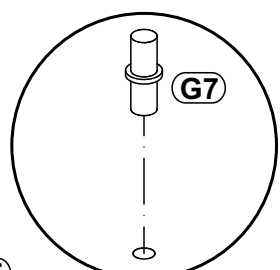
G7	
x8	

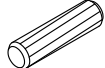
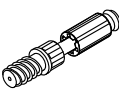
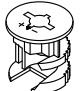


A1	
x4	ø8x36

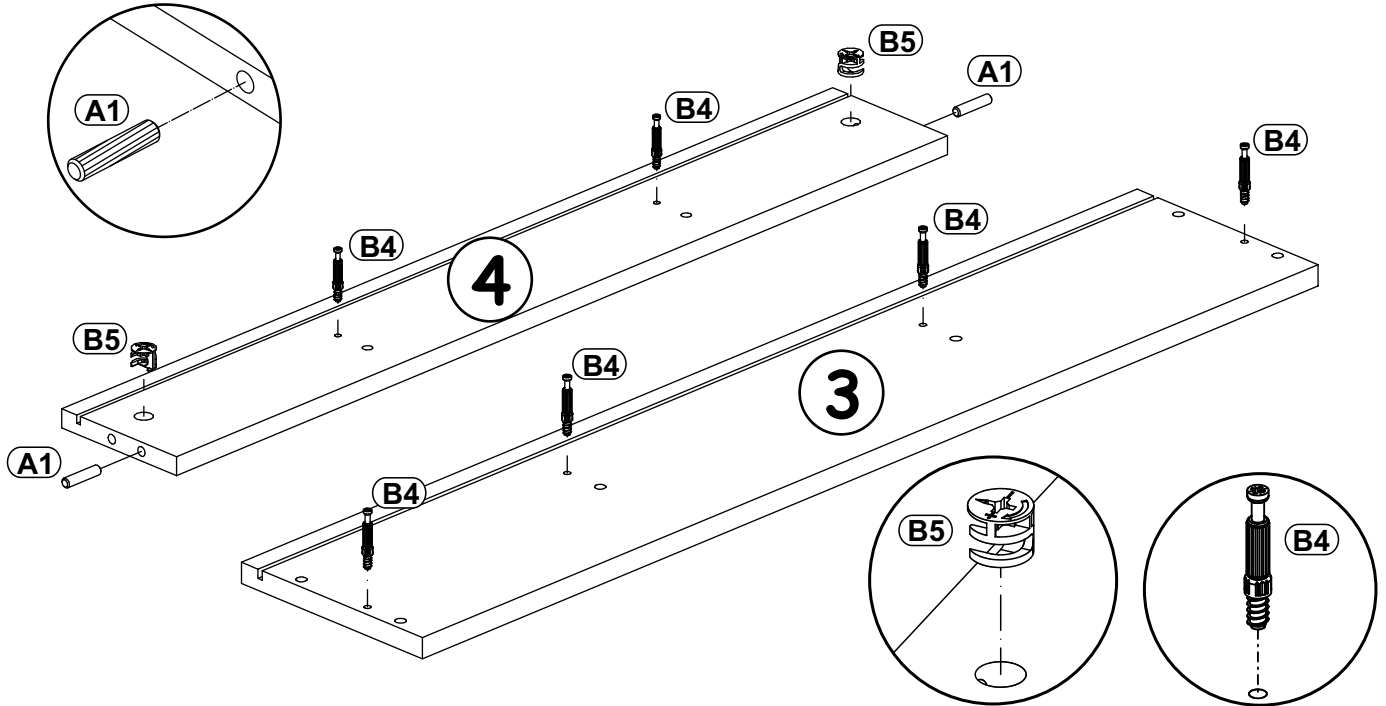
B5	
x4	ø15x12

G7	
x16	

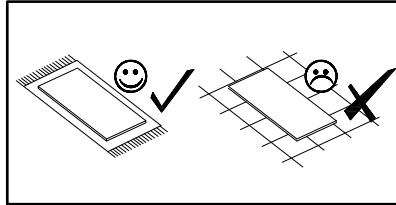
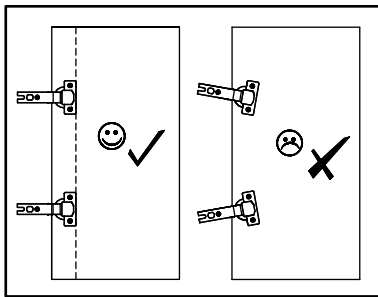


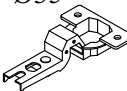
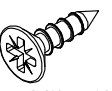
A1		B4		B5	
x2	ø8x36	x6		x2	ø15x12

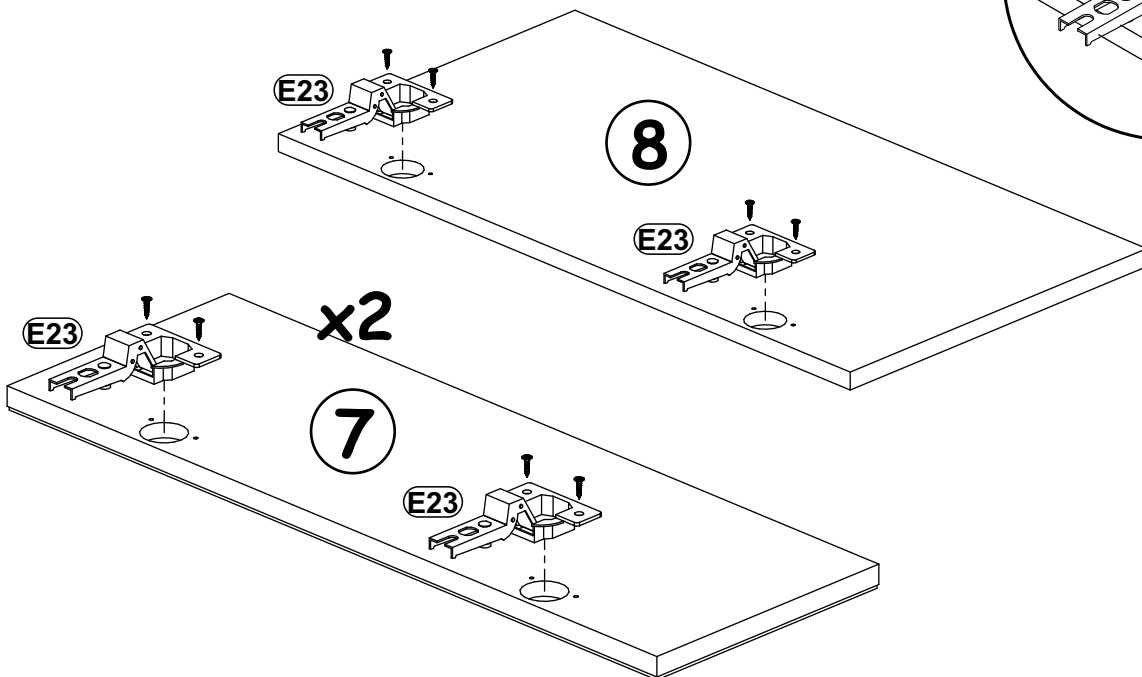
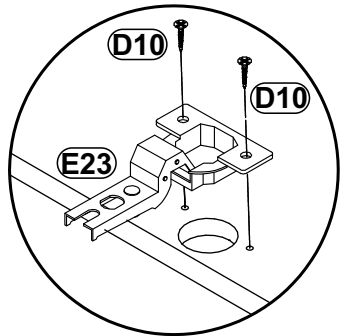
3



4



E23		D10	
x6	Ø35 H=8	x12	USØ3,5x13

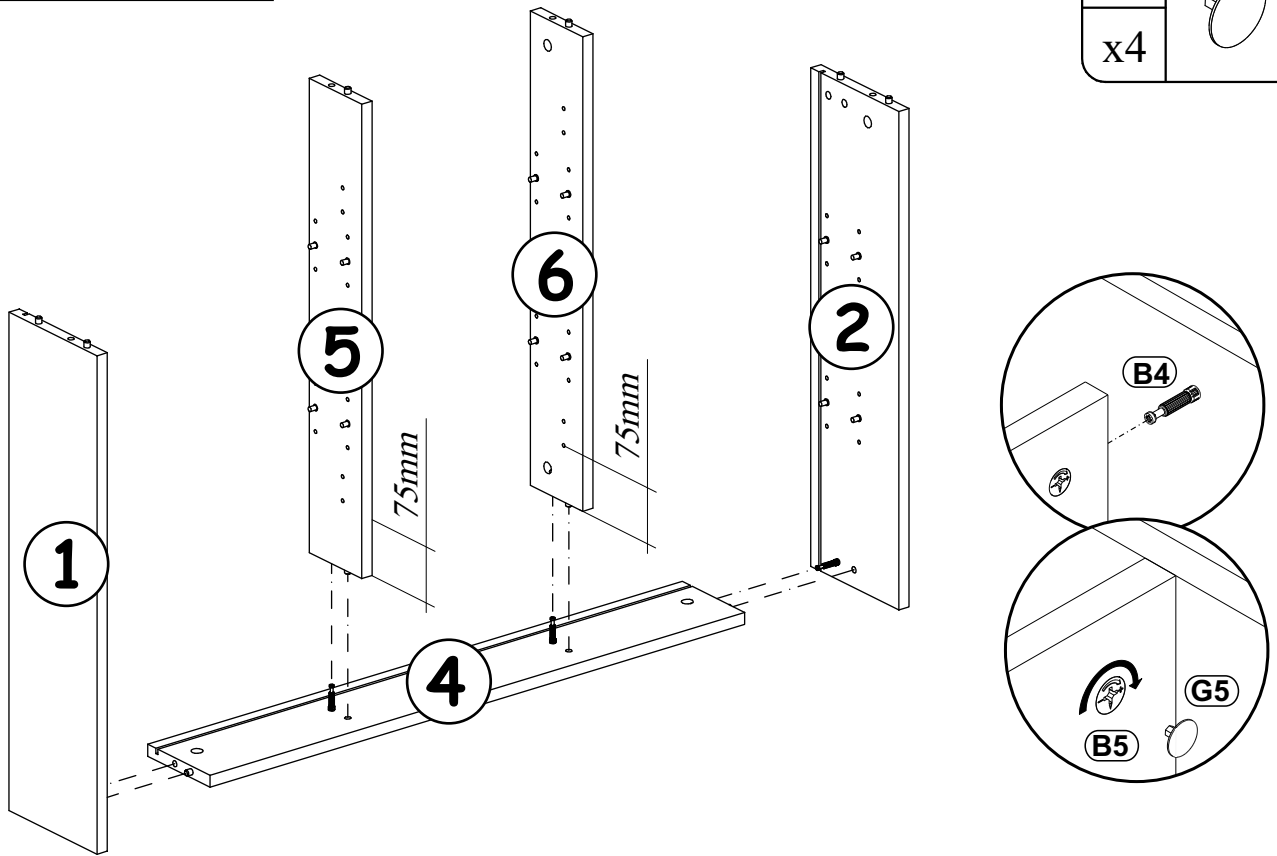


G5

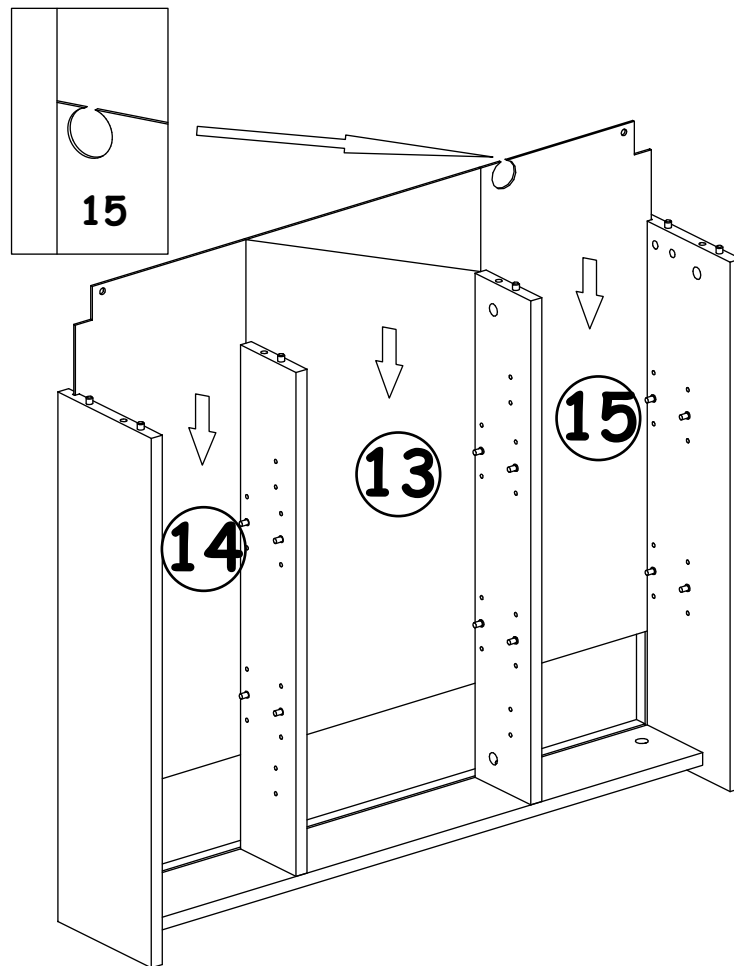
x4



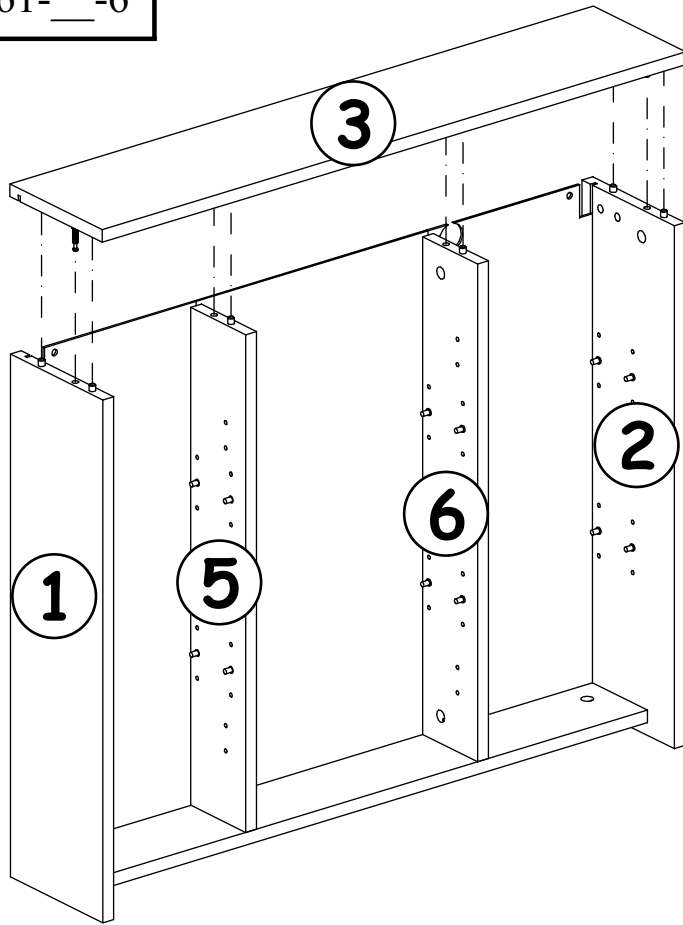
5




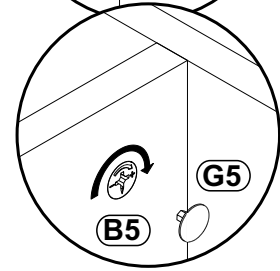
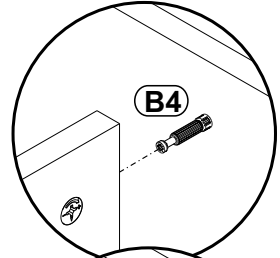
6



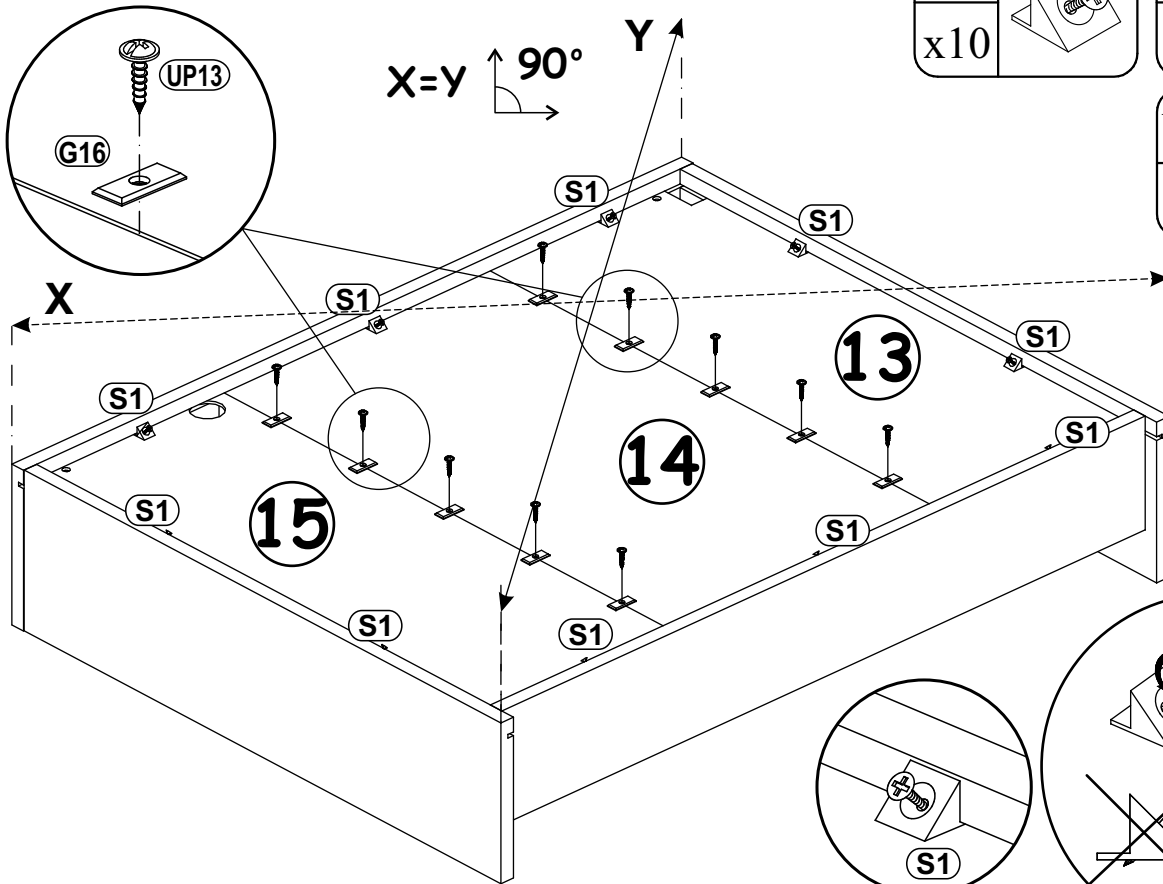
7

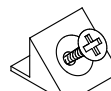


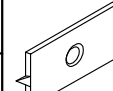
G5	
x4	

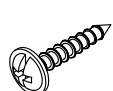


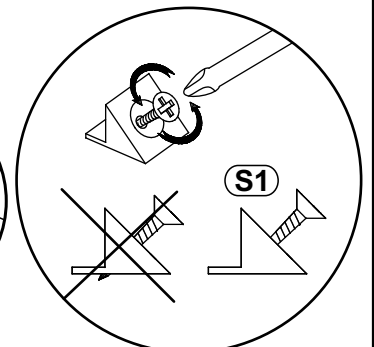
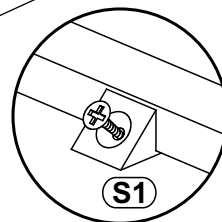
8



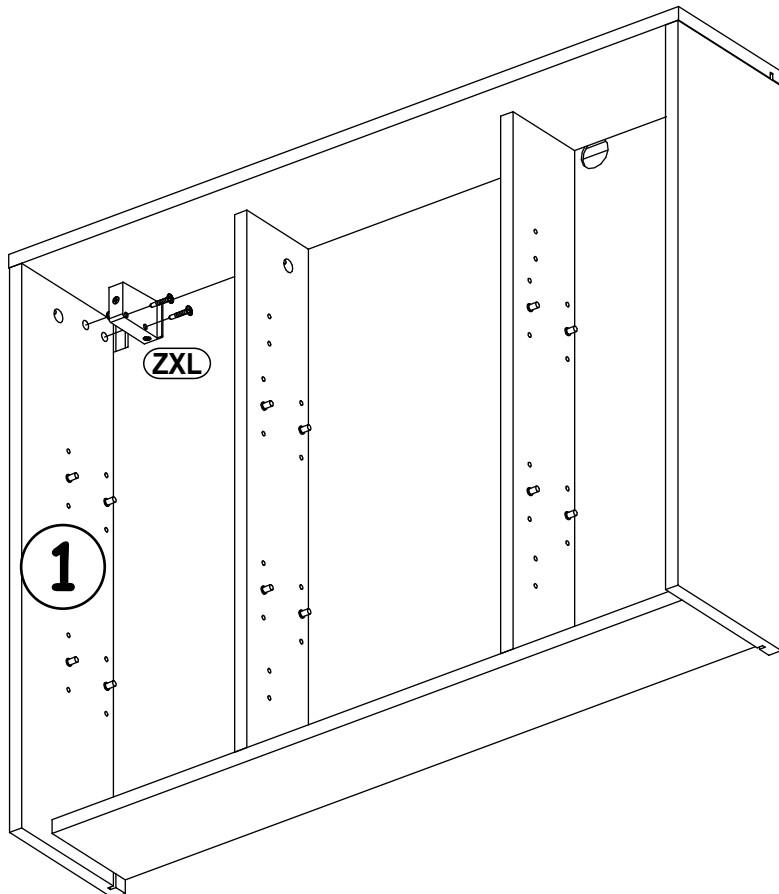
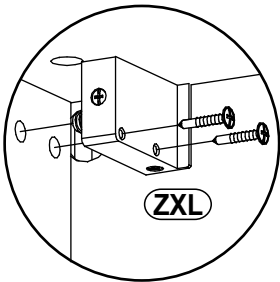
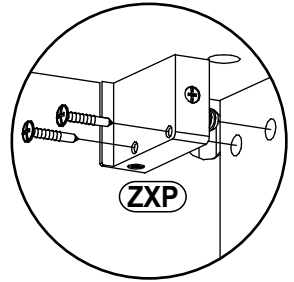
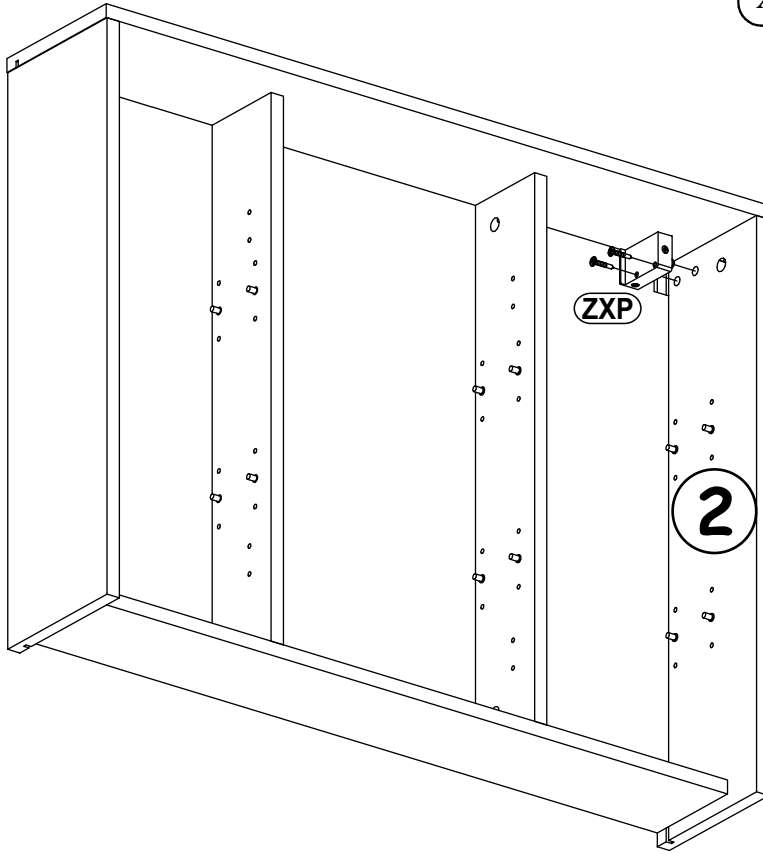
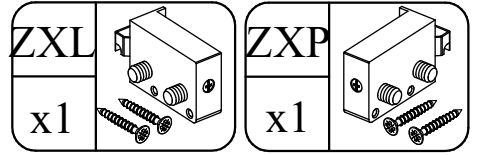
S1	
x10	

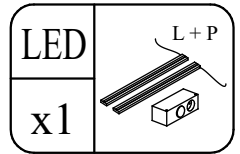
G16	
x10	

UP13	
x10	UPØ3x16

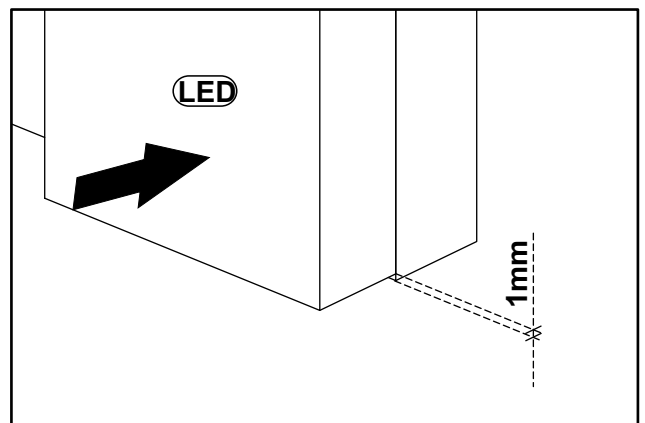
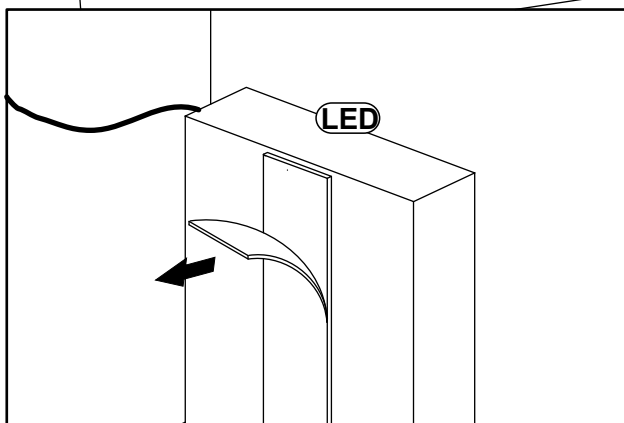
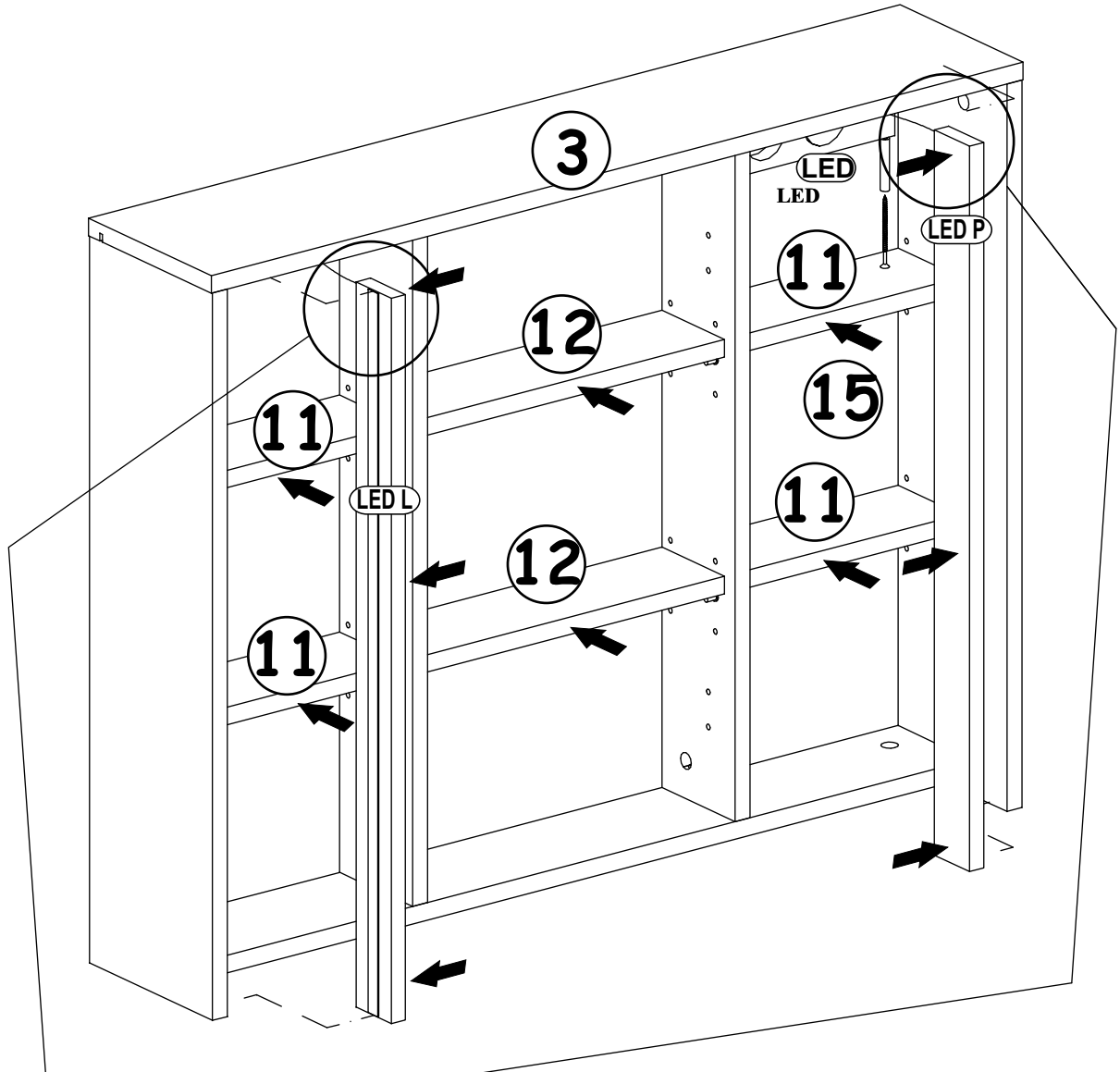
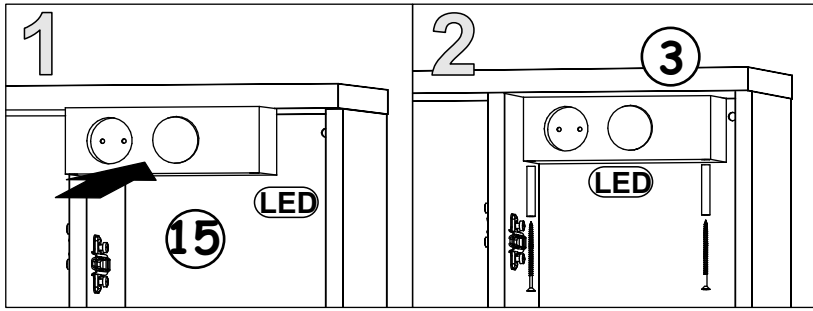


9

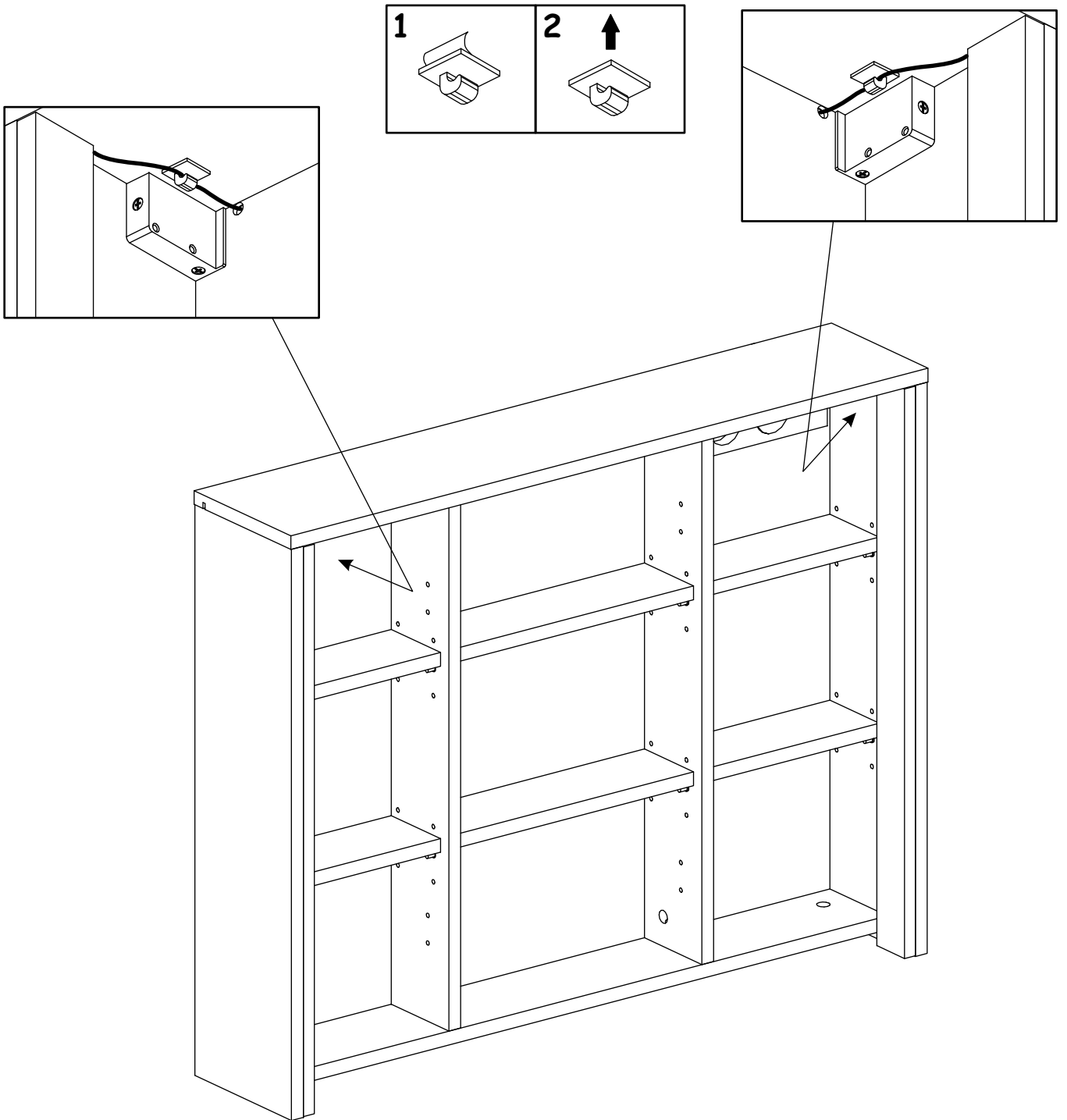




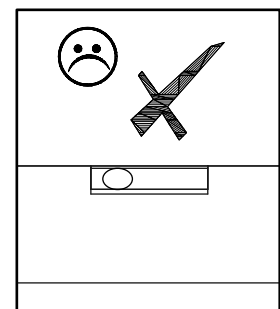
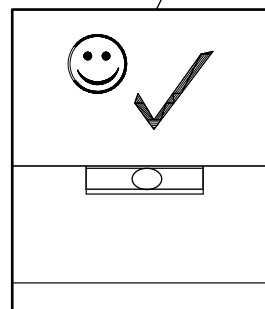
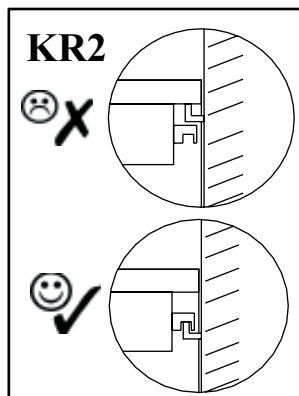
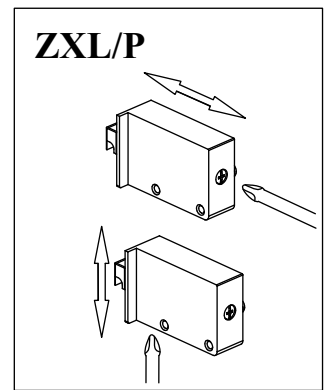
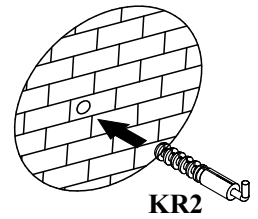
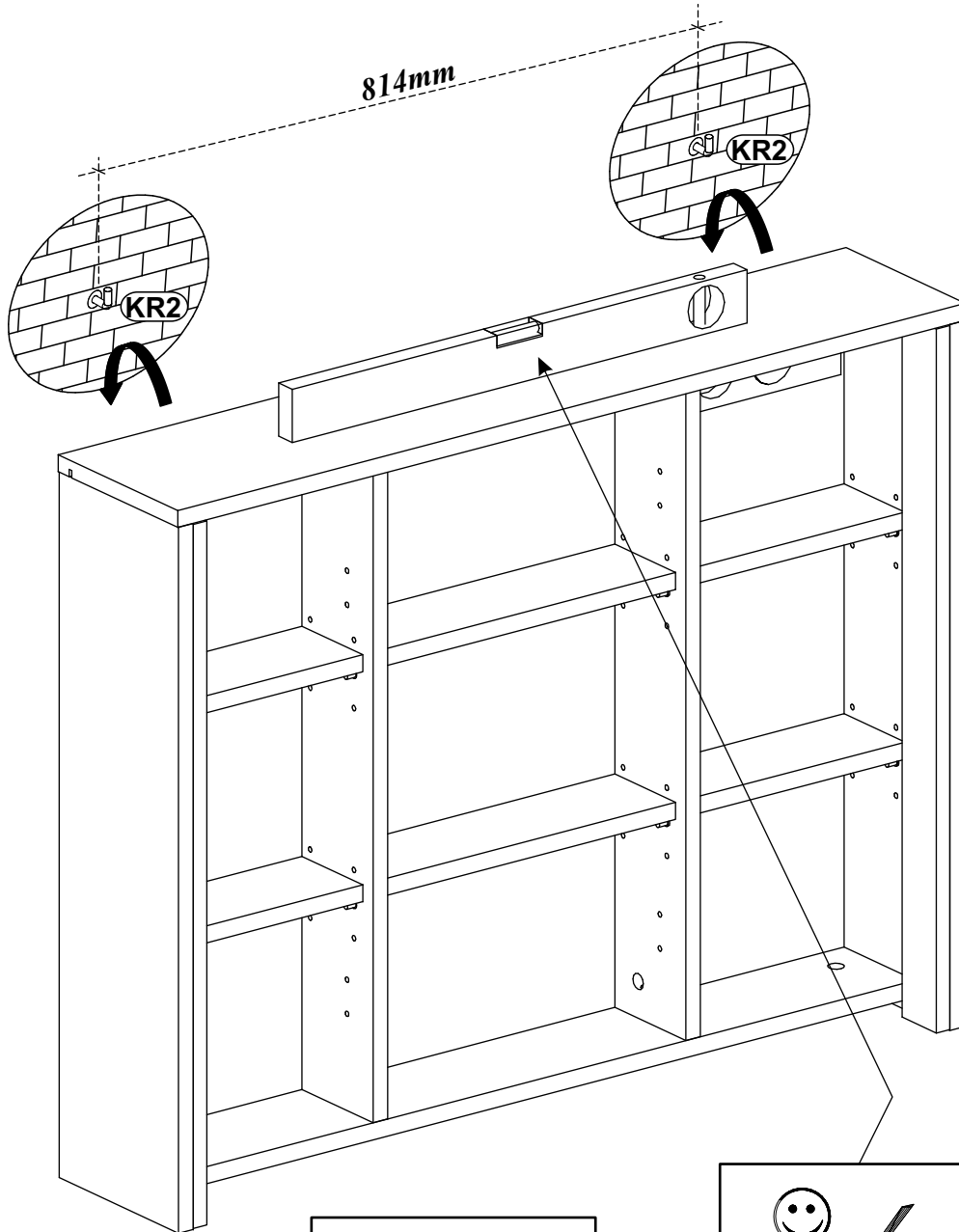
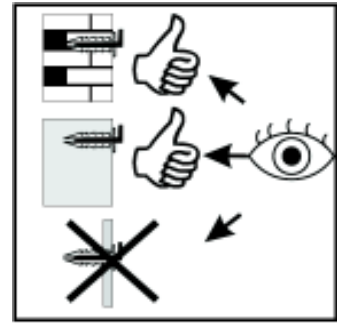
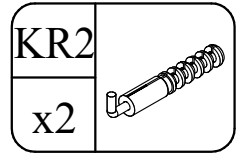
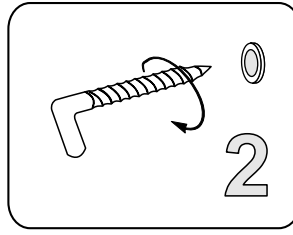
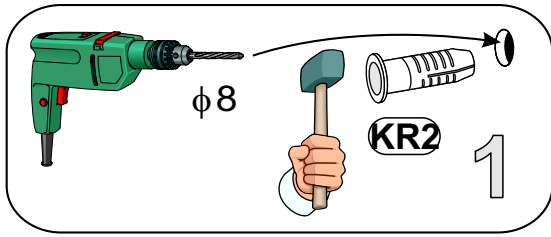
10



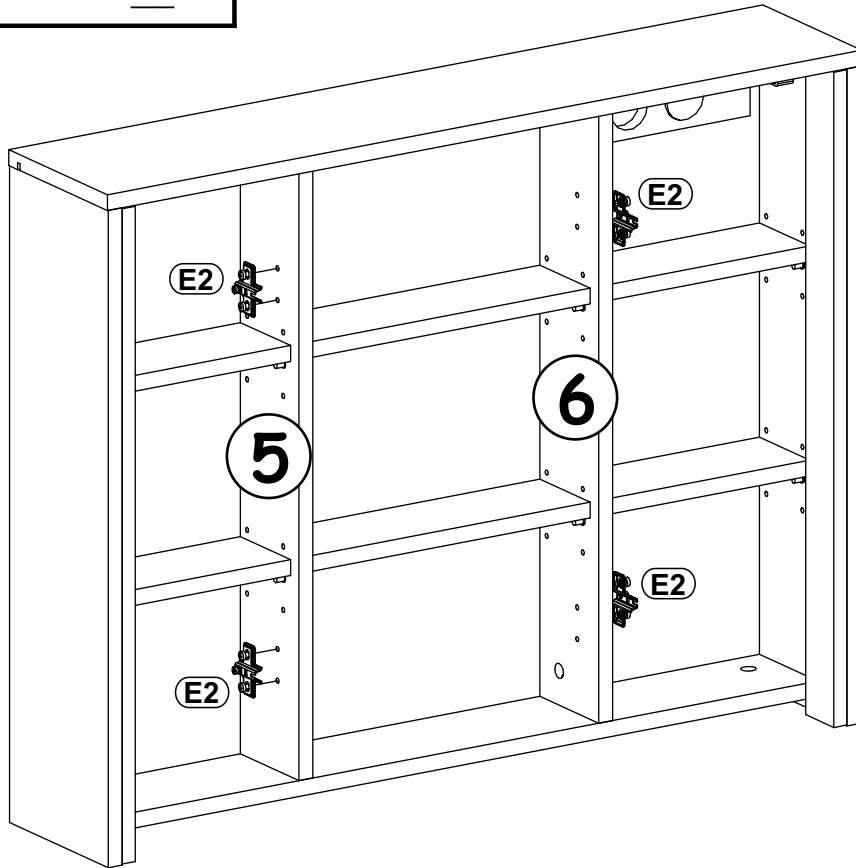
11

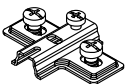


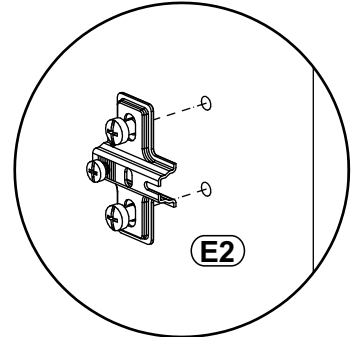
12



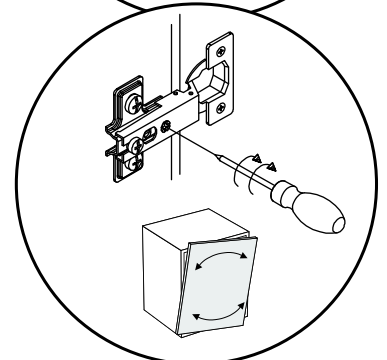
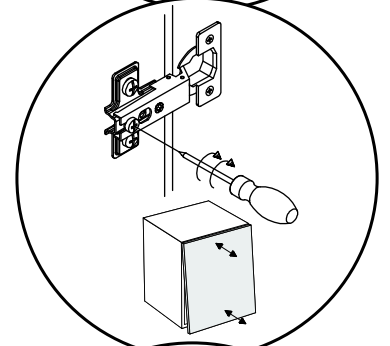
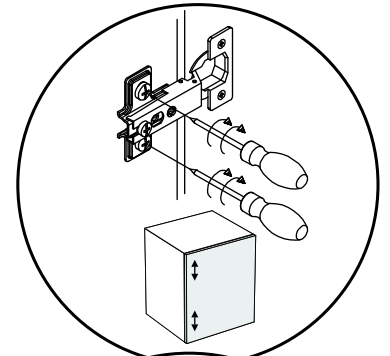
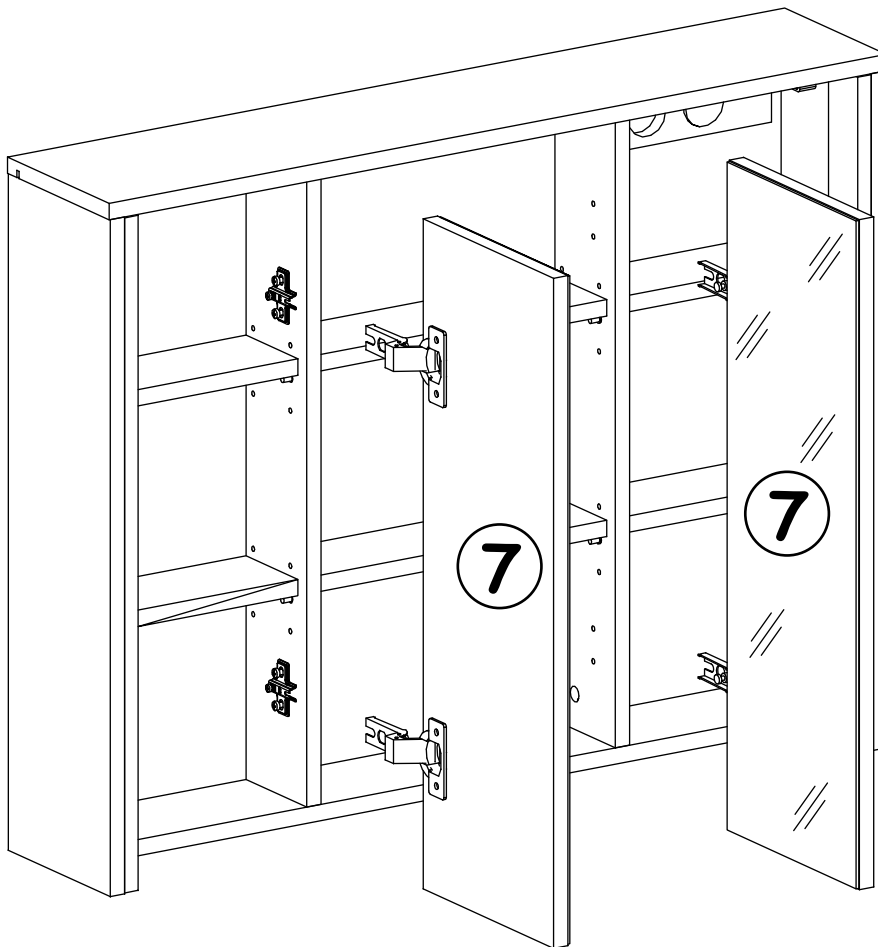
13



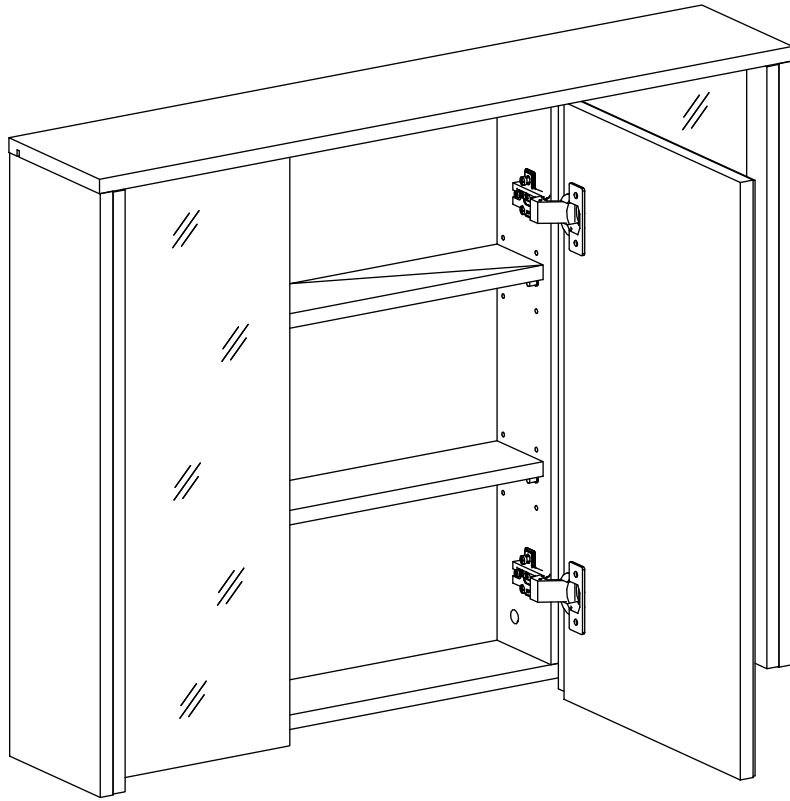
E2	
x4	H=0



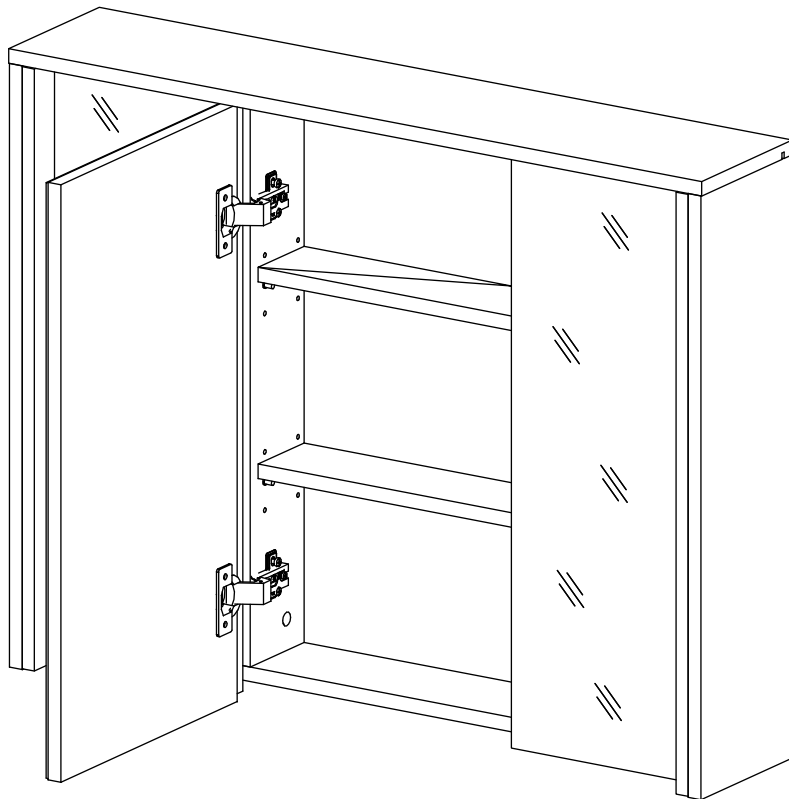
14



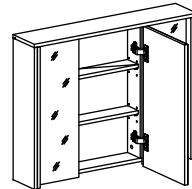
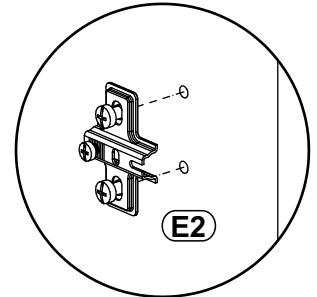
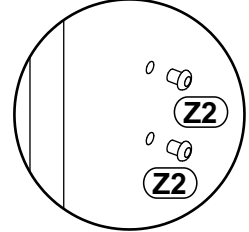
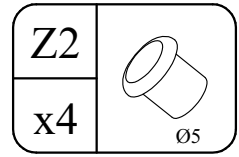
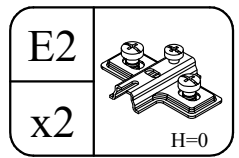
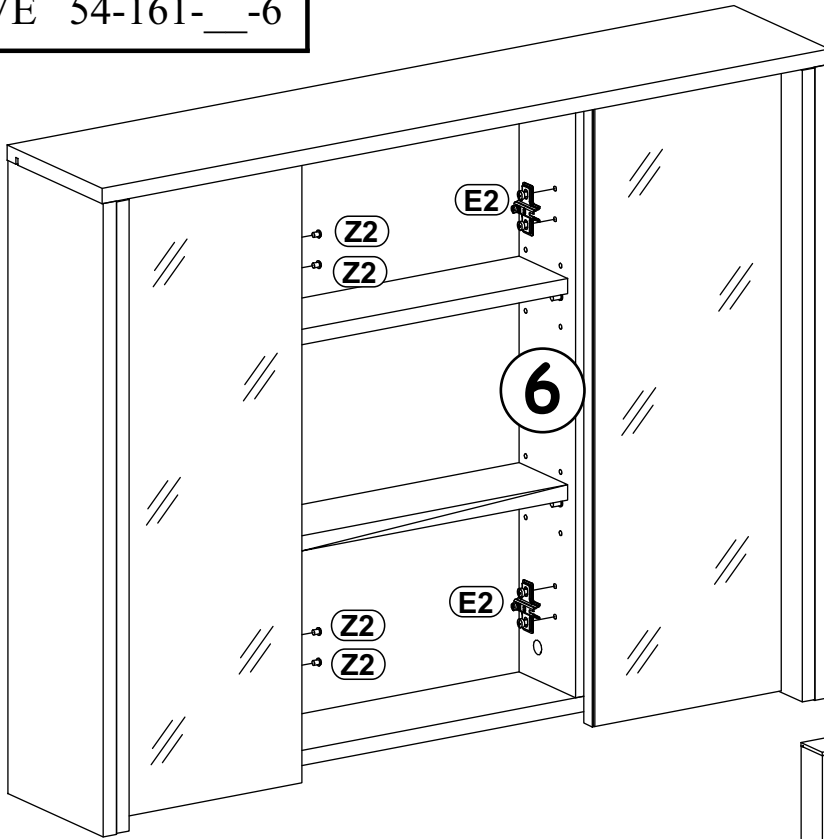
15 - 16



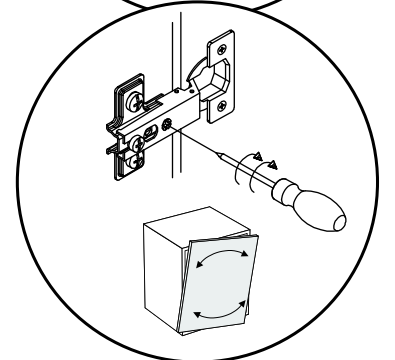
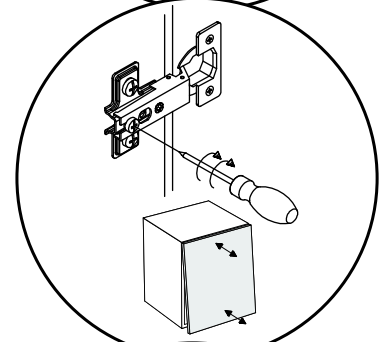
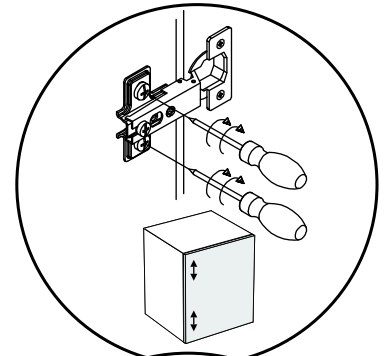
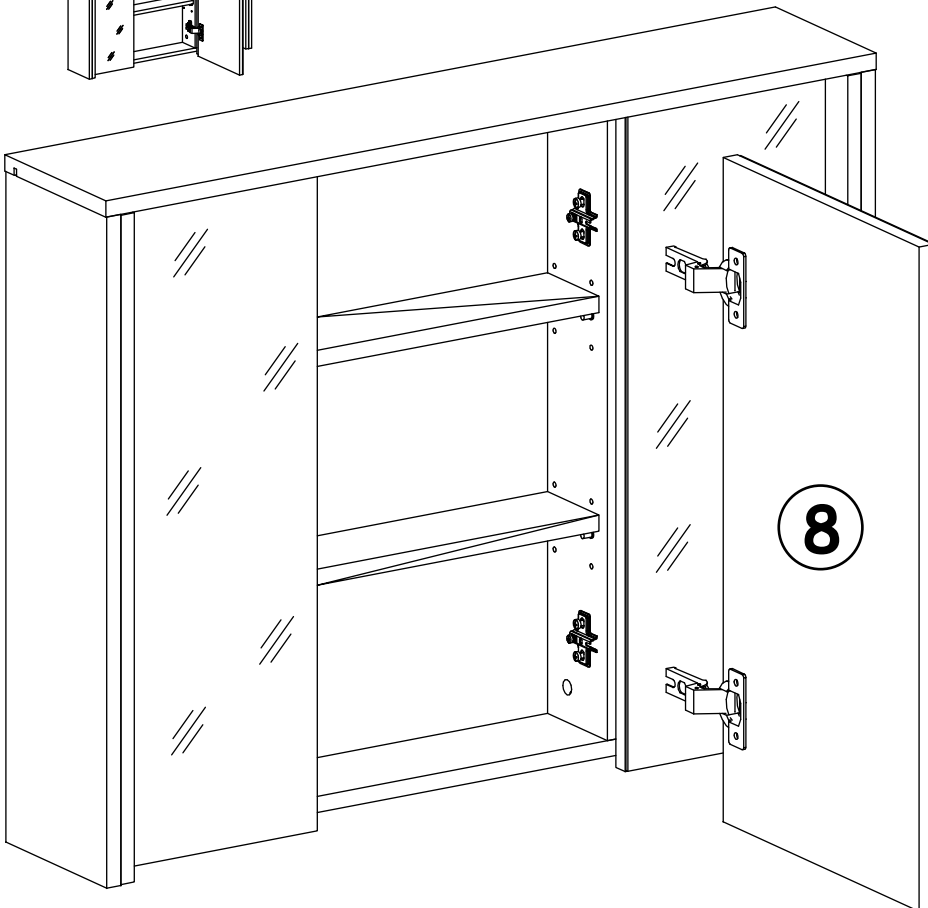
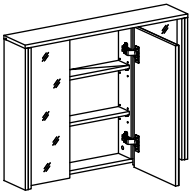
17 - 18



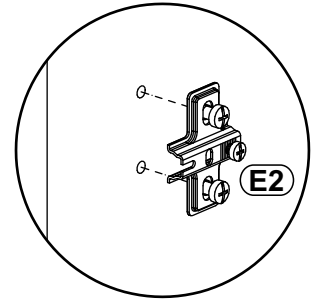
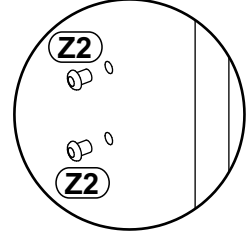
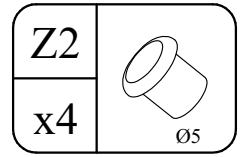
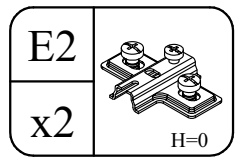
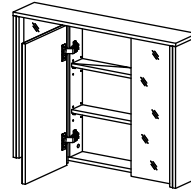
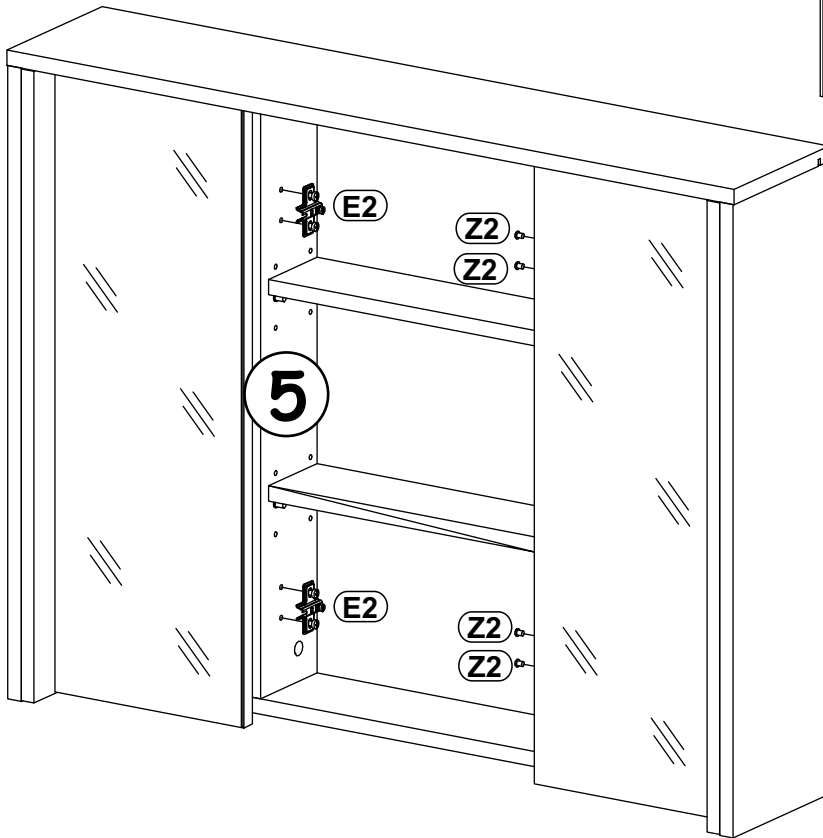
15



16



17



18

